



US00D452284B1

(12) **United States Design Patent**
McGinnis

(10) **Patent No.:** **US D452,284 S**

(45) **Date of Patent:** **** Dec. 18, 2001**

(54) **SCOOTER**

(76) Inventor: **Kevin J. McGinnis**, 9005 Oak Ave.,
Orangevale, CA (US) 95662

(**) Term: **14 Years**

(21) Appl. No.: **29/132,970**

(22) Filed: **Nov. 20, 2000**

(51) **LOC (7) Cl.** **21-01**

(52) **U.S. Cl.** **D21/423**

(58) **Field of Search** D21/419, 421,
D21/423, 424, 426, 435, 533, 760, 765,
771; D12/107, 110-112; 280/87.01, 87.021,
87.041, 87.042; 180/181, 216

(56) **References Cited**

U.S. PATENT DOCUMENTS

D. 178,619	*	8/1956	Tonelli	D21/423
D. 313,633	*	1/1991	Cummings	D21/423
D. 435,873	*	1/2001	Lee	D21/423
D. 435,874	*	1/2001	Cheng	D21/423
4,799,701	*	1/1989	Lindau	280/87.041
6,120,044	*	9/2000	Tsai	280/87.041
6,139,035	*	10/2000	Tsai	280/87.041

OTHER PUBLICATIONS

Printouts of selected pages (5) of the Internet web site designated www.huffybikes.com Author is believed to be Huffy Bicycle Company. Publication date is believed to be at least as early as Mar. 14, 2000.

* cited by examiner

Primary Examiner—Raphael Barkai

(74) *Attorney, Agent, or Firm*—R. Michael West; Boutin, Dentino, Gibson, Di Giusto, Hodell & West

(57) **CLAIM**

The ornamental design for a scooter, as shown and described.

DESCRIPTION

FIG. 1 is a left front perspective of a scooter, showing my new design;

FIG. 2 is a front elevational view, thereof;

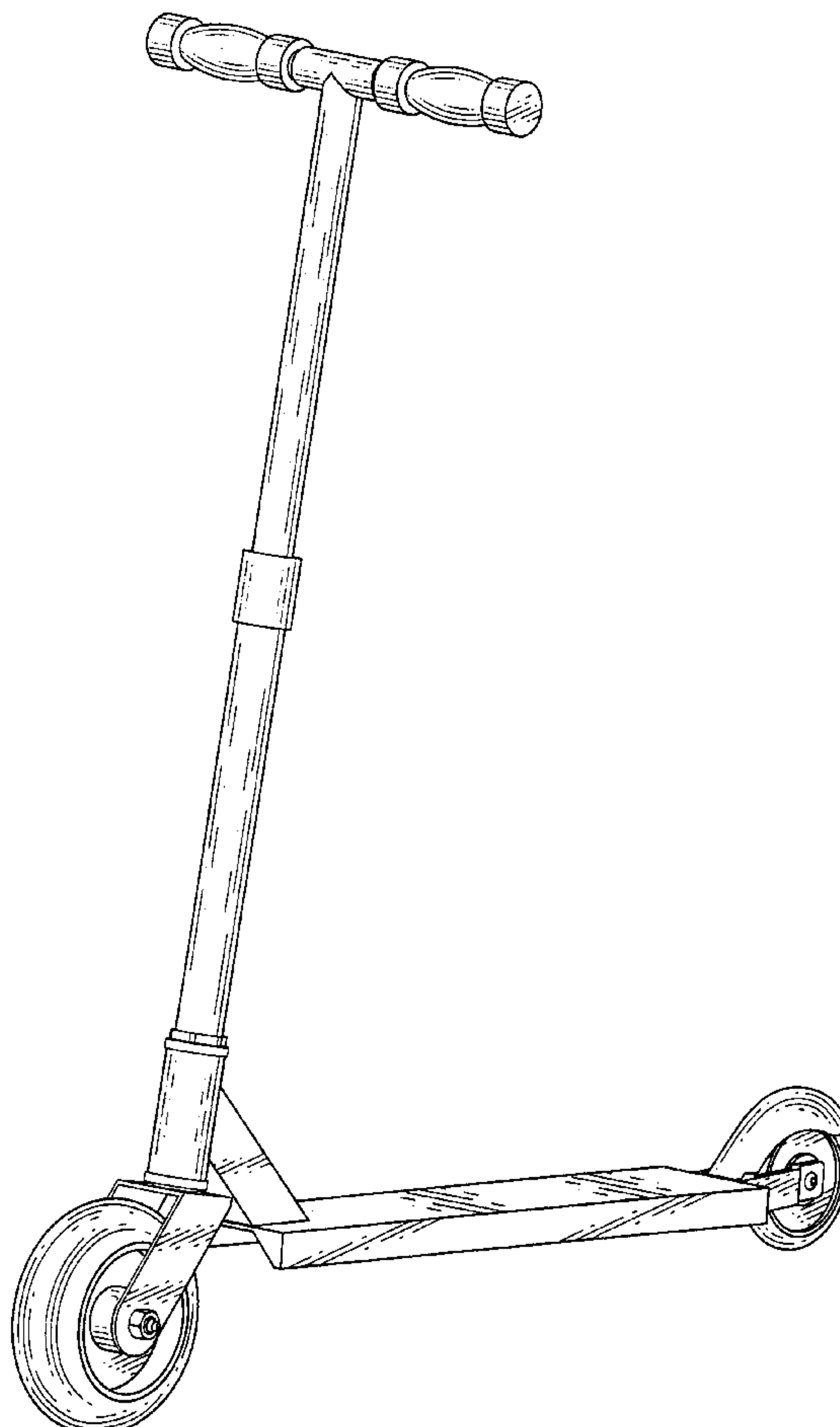
FIG. 3 is a bottom plan view, thereof;

FIG. 4 is a top plan view, thereof;

FIG. 5 is an elevational view of one side thereof, the other side elevational view being a mirror image, thereof; and,

FIG. 6 is a rear elevational view, thereof.

1 Claim, 2 Drawing Sheets



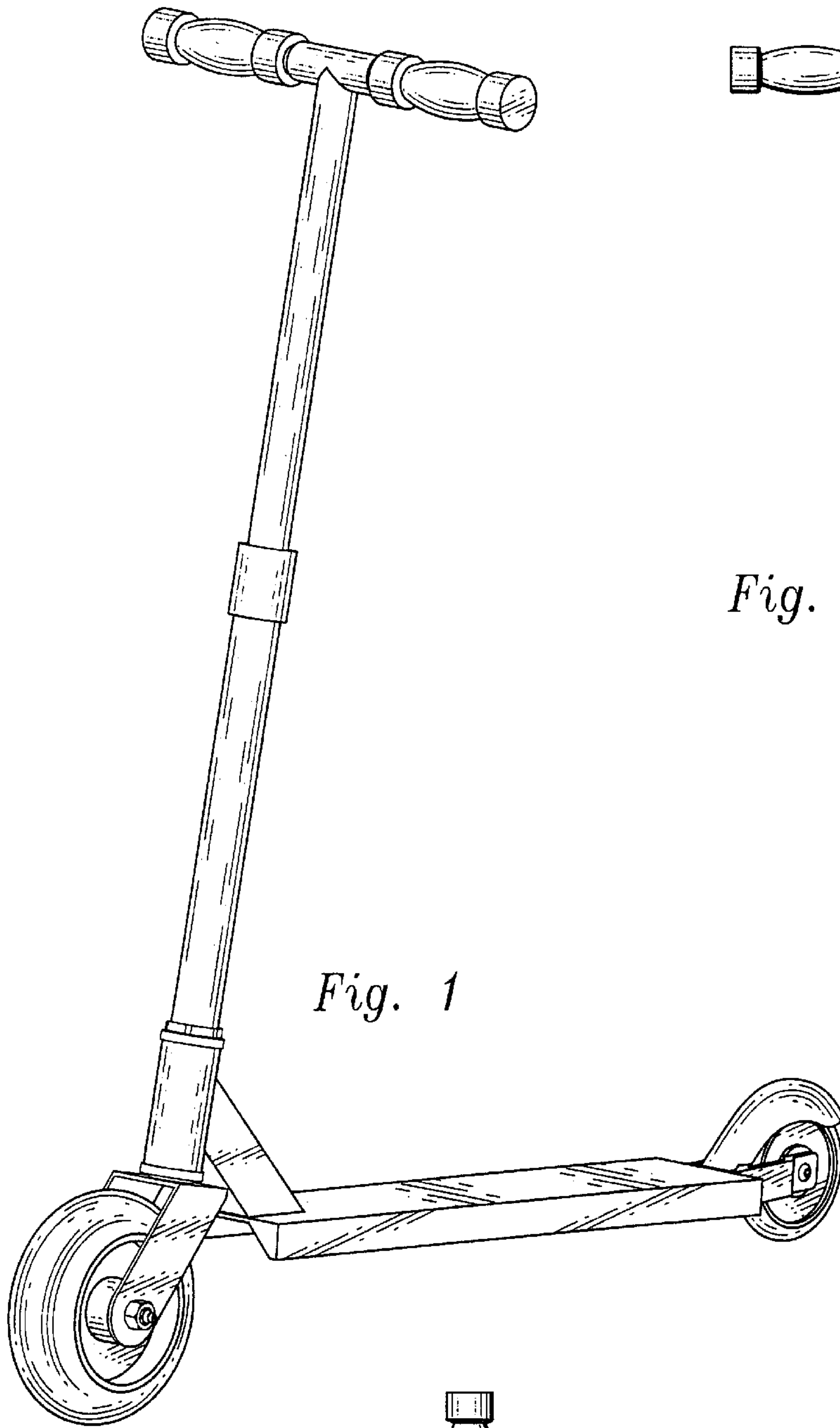


Fig. 1

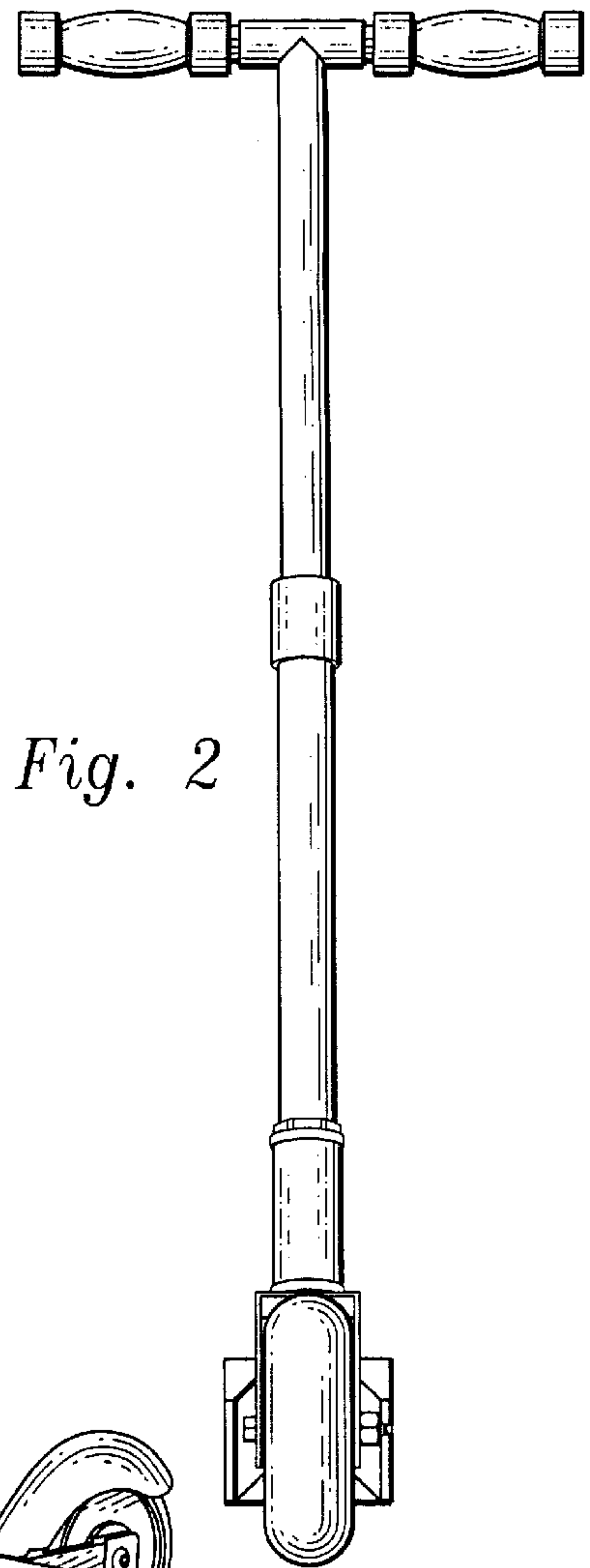


Fig. 2

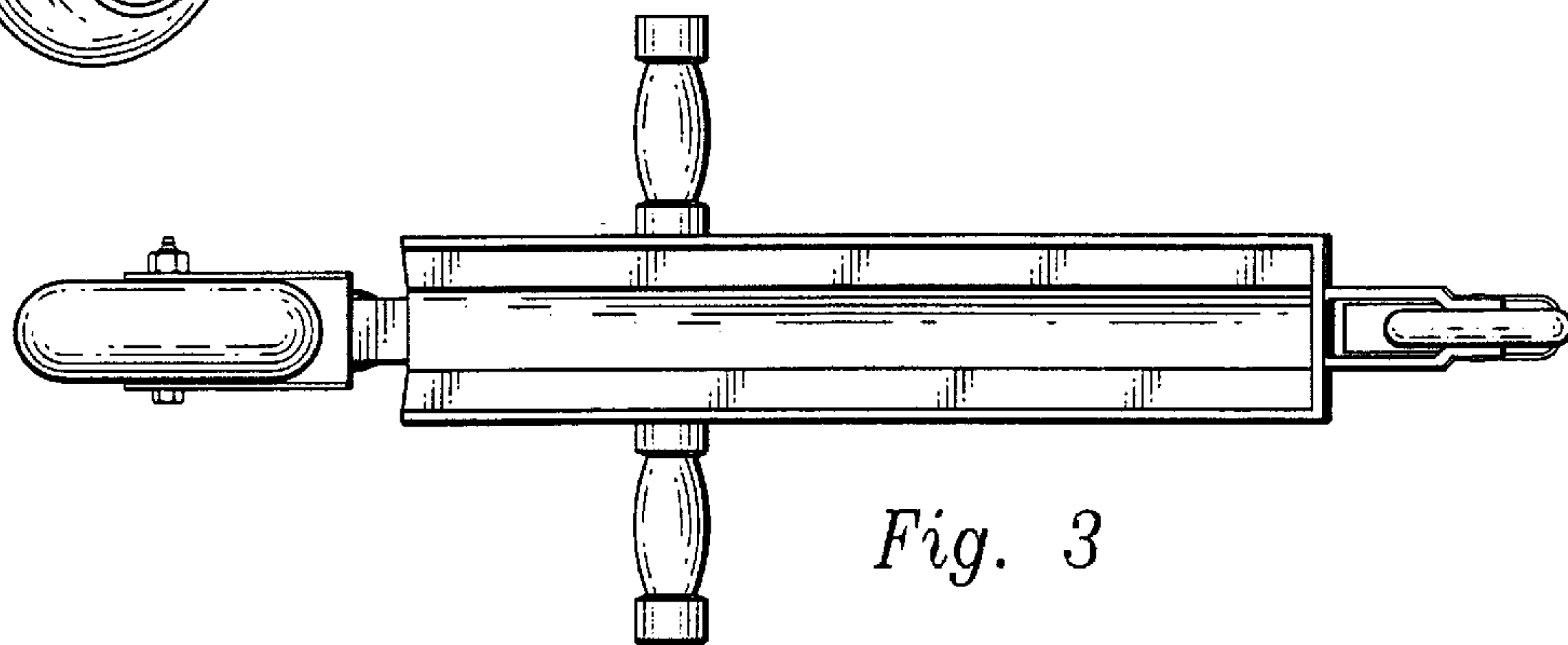


Fig. 3

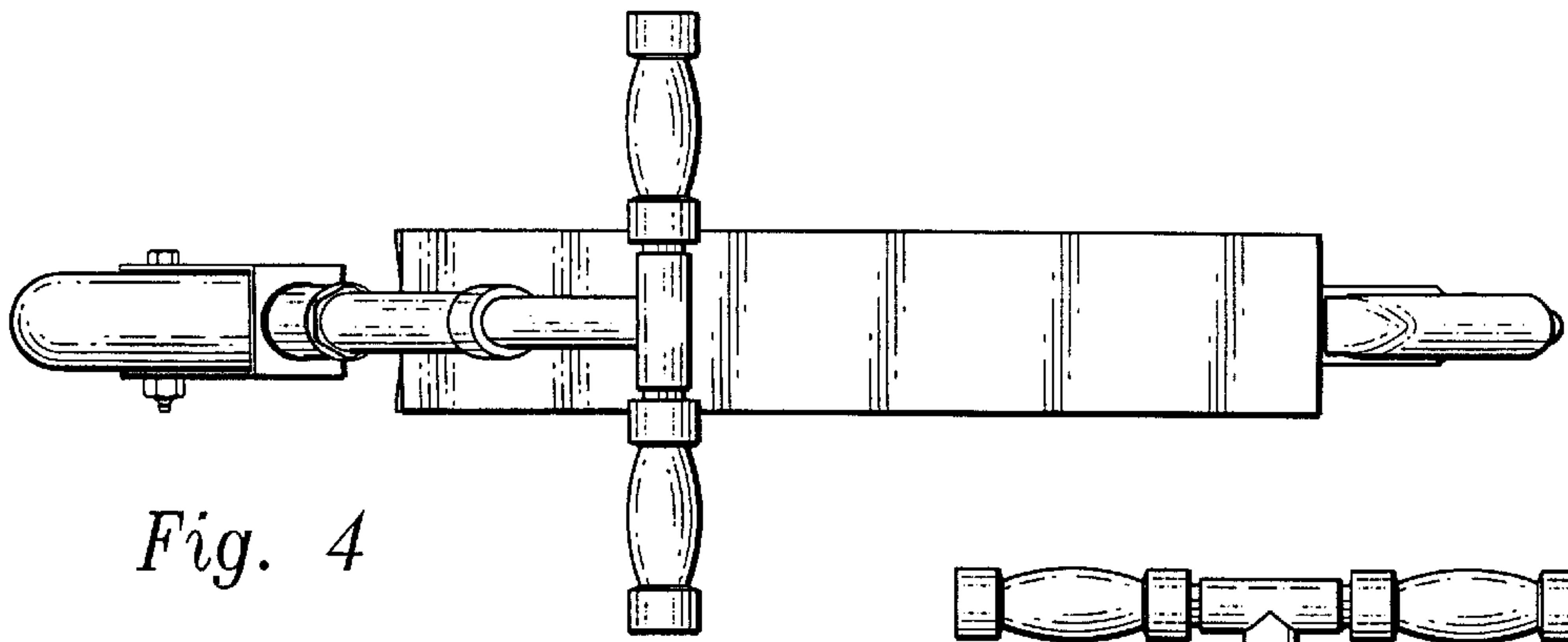


Fig. 4

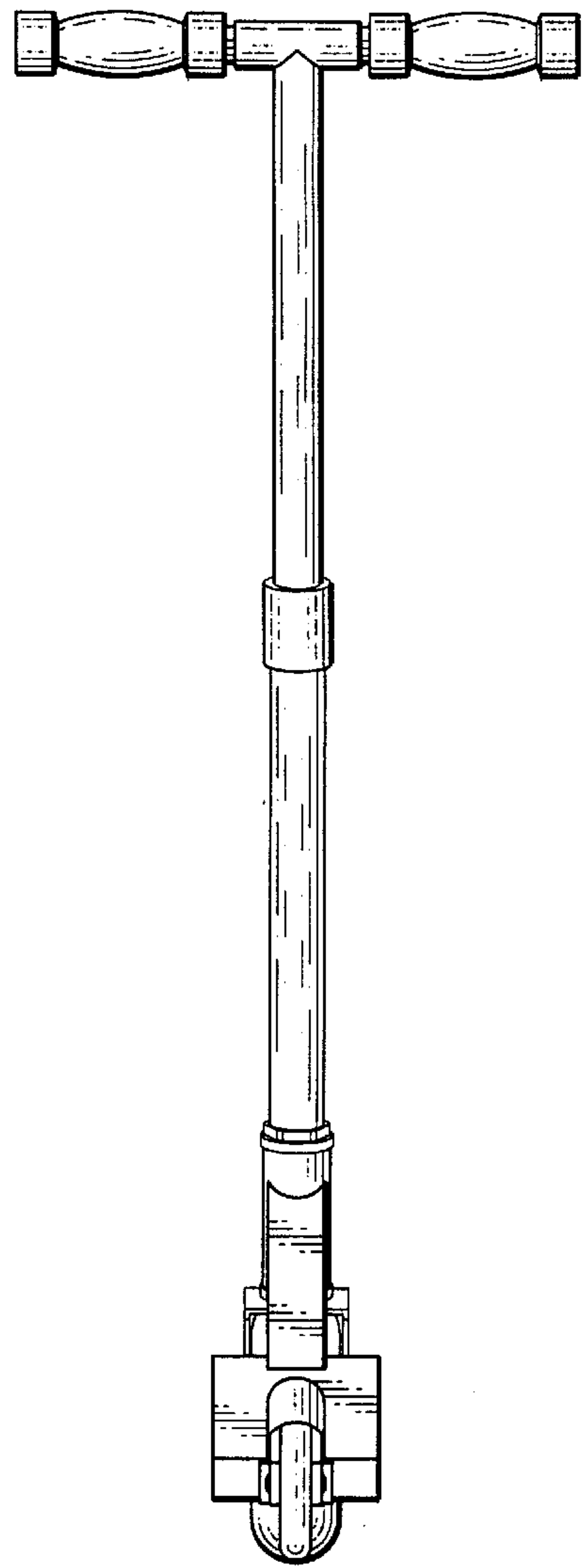


Fig. 6

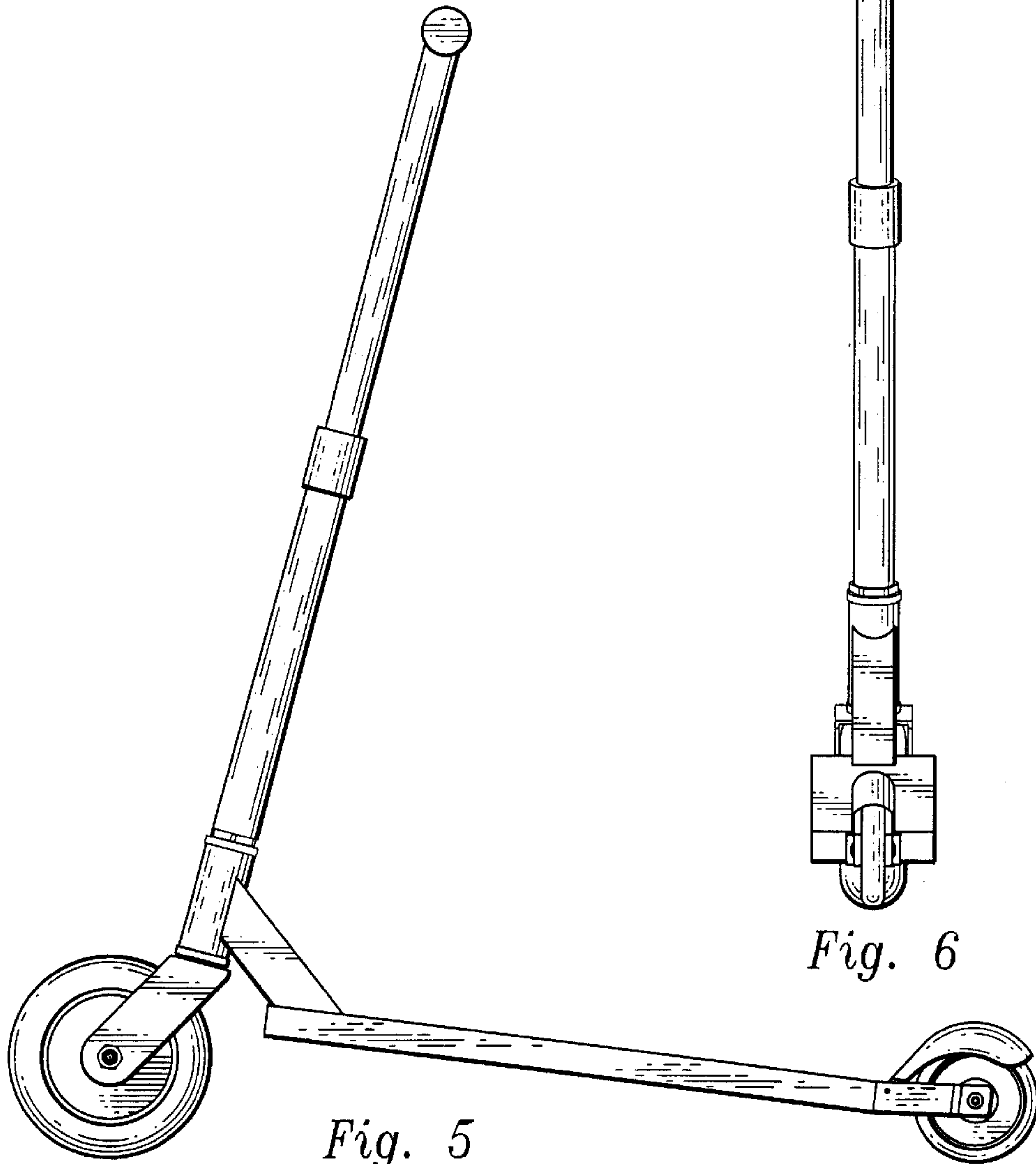


Fig. 5