



US00D452276B1

(12) **United States Design Patent**
Hurwitz

(10) **Patent No.:** **US D452,276 S**

(45) **Date of Patent:** **** Dec. 18, 2001**

(54) **NOTEPAD HOLDER**

(76) Inventor: **Trevor Hurwitz**, Dept. of Psychiatry,
UBC Hospital, 2255 Wesbrook Mall,
Vancouver, British Columbia (CA), V6T
2A1

(**) Term: **14 Years**

(21) Appl. No.: **29/120,359**

(22) Filed: **Mar. 20, 2000**

(51) **LOC (7) Cl.** **19-02**

(52) **U.S. Cl.** **D19/86**

(58) **Field of Search** D19/52, 65, 75,
D19/78, 86, 88, 90, 91, 92, 95, 100, 20,
59; 40/642.02; 248/441.1, 441.2, 445, 450,
451, 452, 453, 460, 469, 473, 910; 281/44;
D6/310, 311, 312; 312/233

(56) **References Cited**

U.S. PATENT DOCUMENTS

- D. 155,718 * 10/1949 Lewis D19/59
- D. 194,860 * 3/1963 Downs D19/78
- D. 244,658 * 6/1977 Turner D19/92
- D. 383,491 * 9/1997 Chang D19/20
- D. 391,607 * 3/1998 Russo D19/86
- D. 392,474 * 3/1998 Frasketi 248/441.1

* cited by examiner

Primary Examiner—Doris V. Coles
Assistant Examiner—Elizabeth A. Albert

(57) **CLAIM**

The ornamental design for a notepad holder, as shown and described.

DESCRIPTION

FIG. 1 shows a view in perspective from above and one side of the notepad holder;

FIG. 2 shows a plan view from above of the notepad holder of FIG. 1;

FIG. 3 shows a view in front elevation of the notepad holder of FIG. 1;

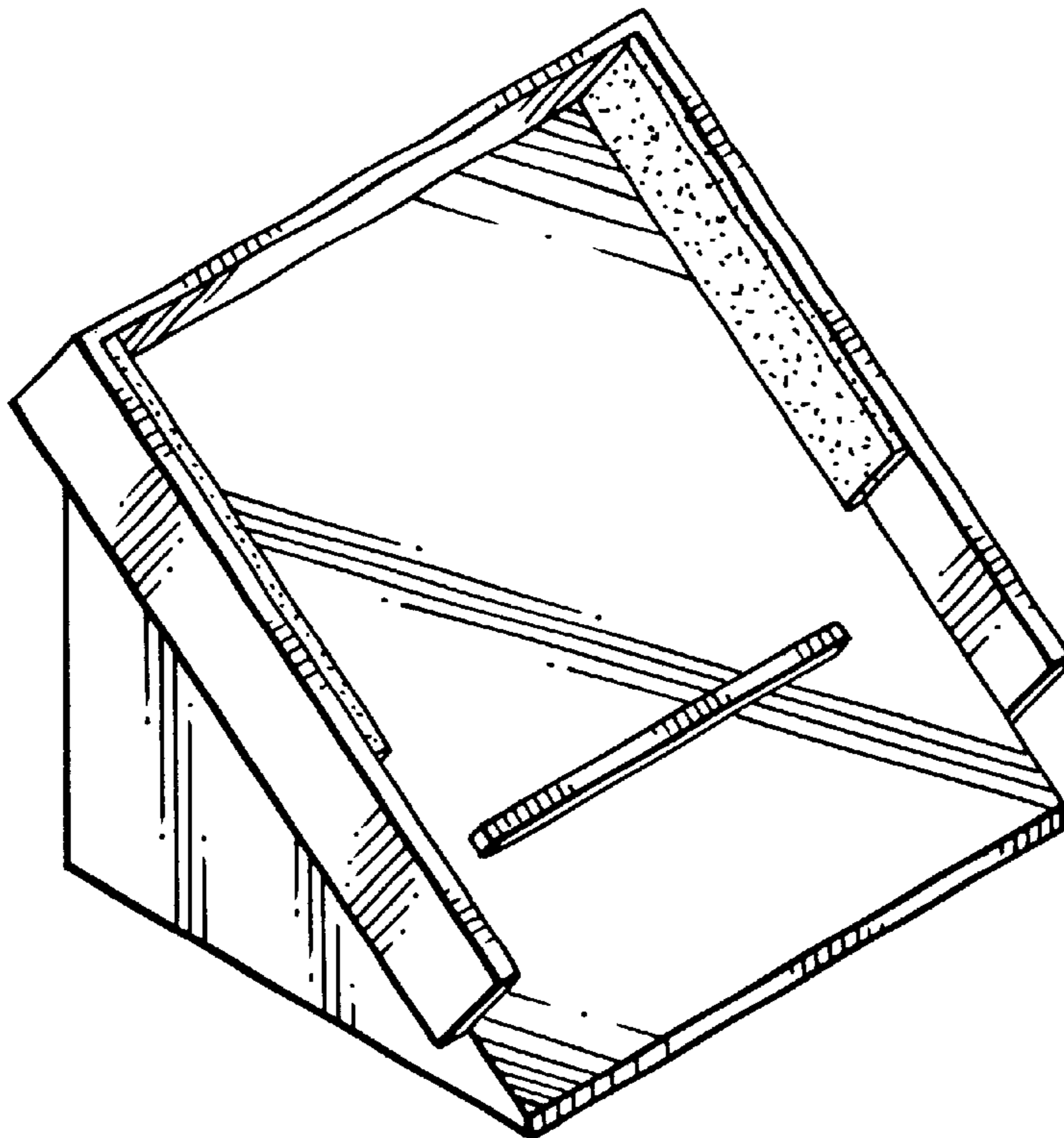
FIG. 4 shows a view in elevation from one side of the notepad holder of FIG. 1, the opposite side being a mirror image of FIG. 4;

FIG. 5 shows an underneath plan view of the notepad holder of FIG. 1; and,

FIG. 6 shows a view in rear elevation of the notepad holder of FIG. 1.

The fragmentary shading pattern on the surface of the notepad holder particularly in FIGS. 2, 3, 5, and 6 is understood to represent a uniform surface finish rather than the particular configuration shown on the surface in these figures.

1 Claim, 2 Drawing Sheets



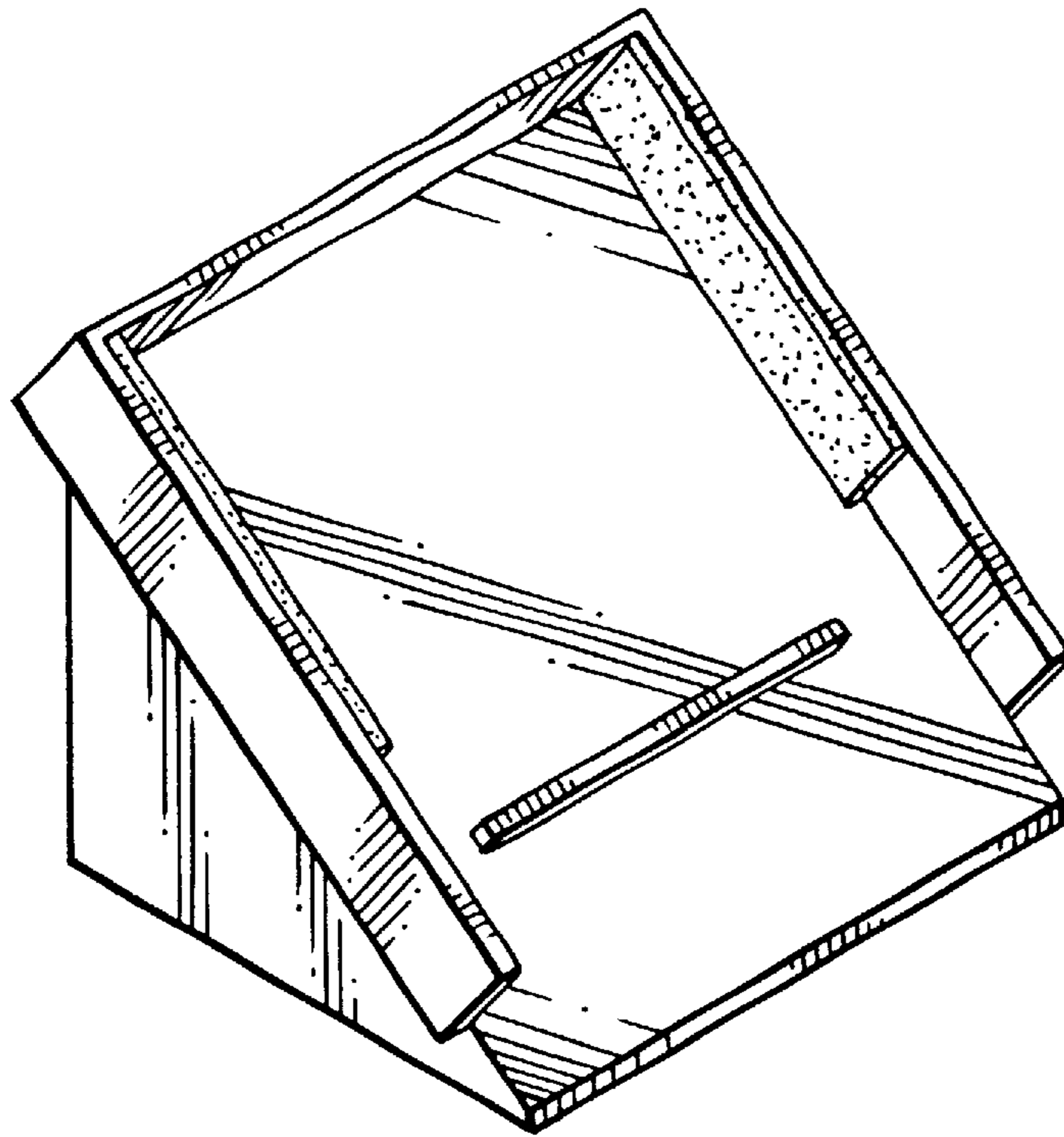


FIG. 1

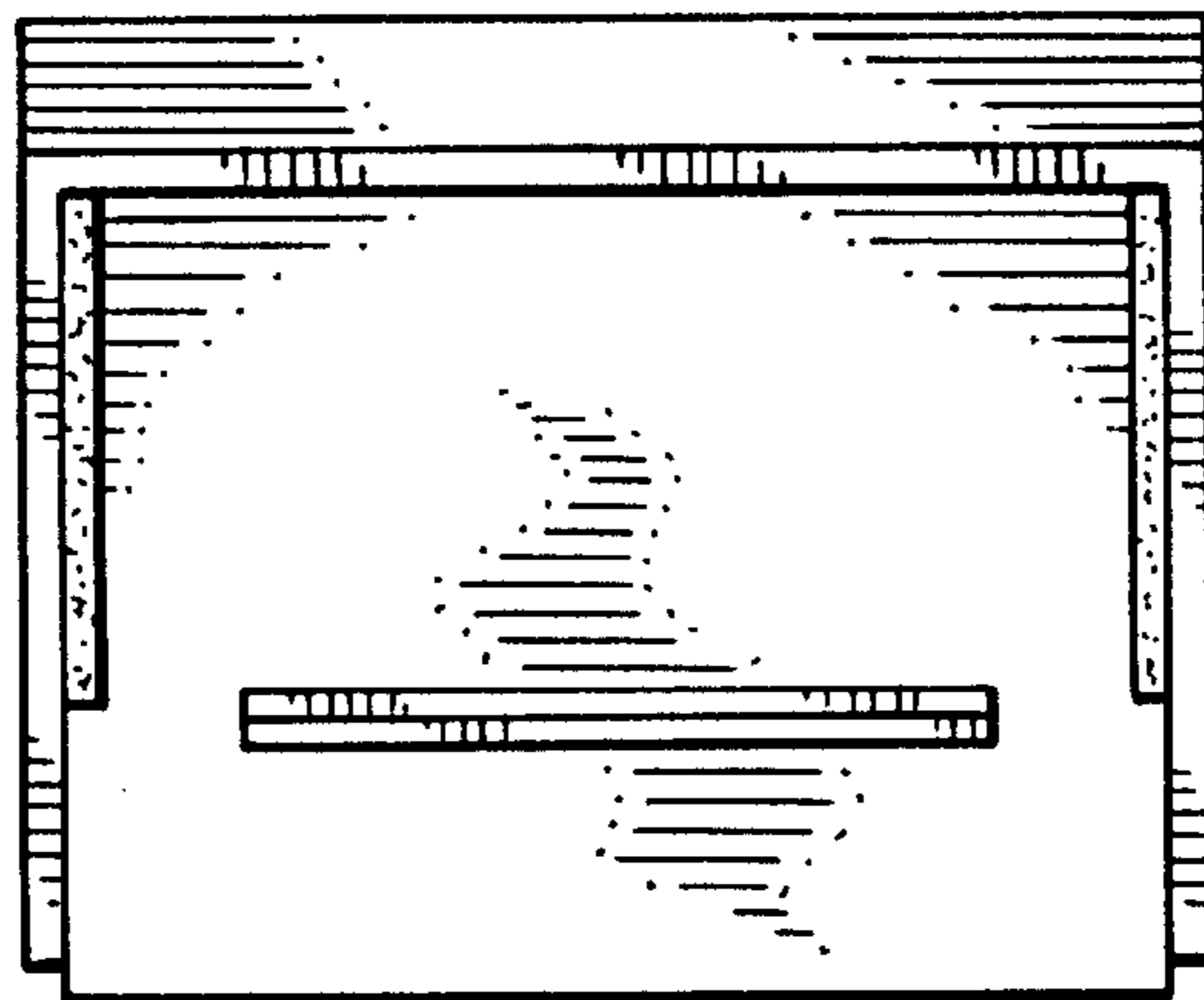


FIG. 2

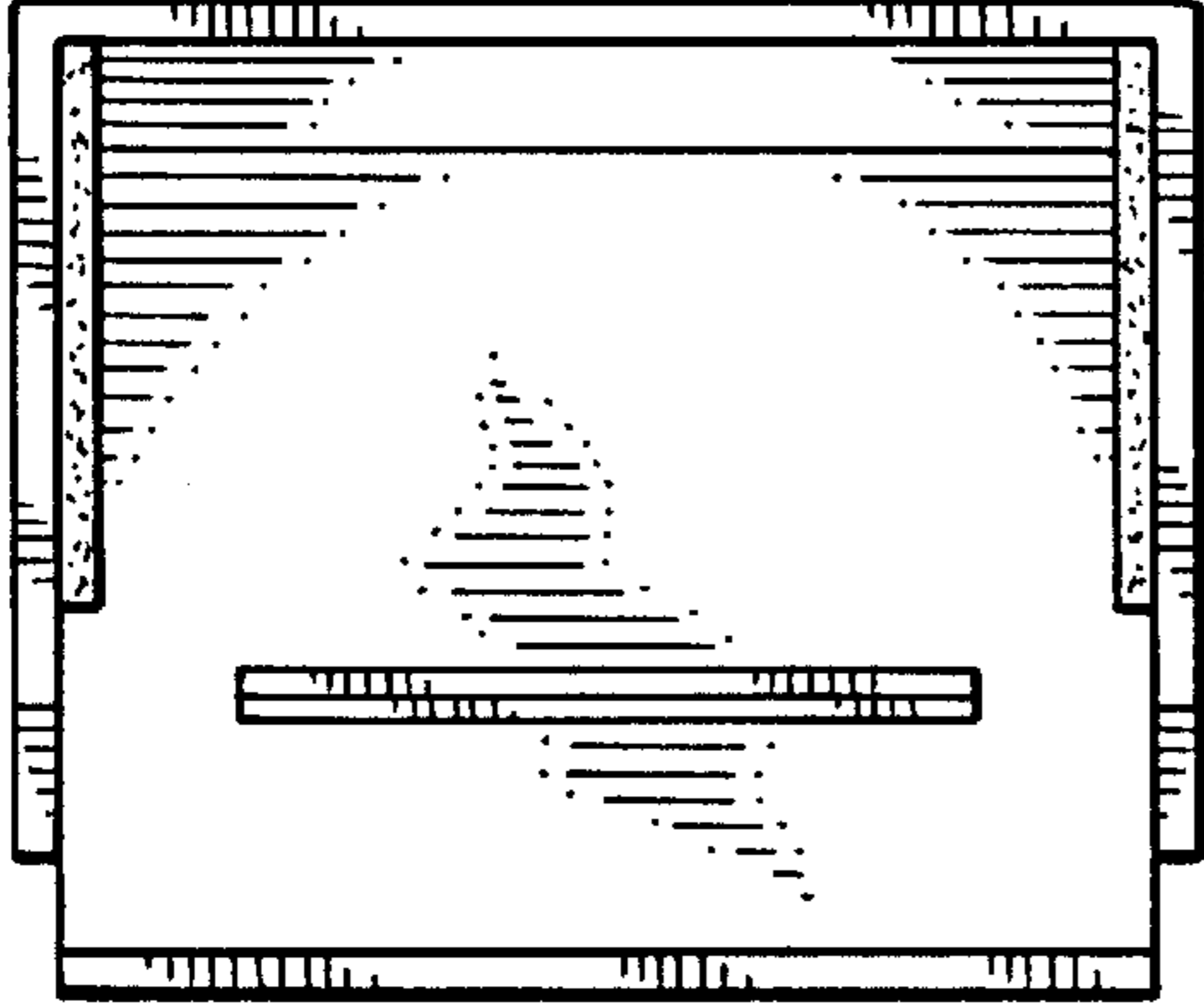


FIG. 3

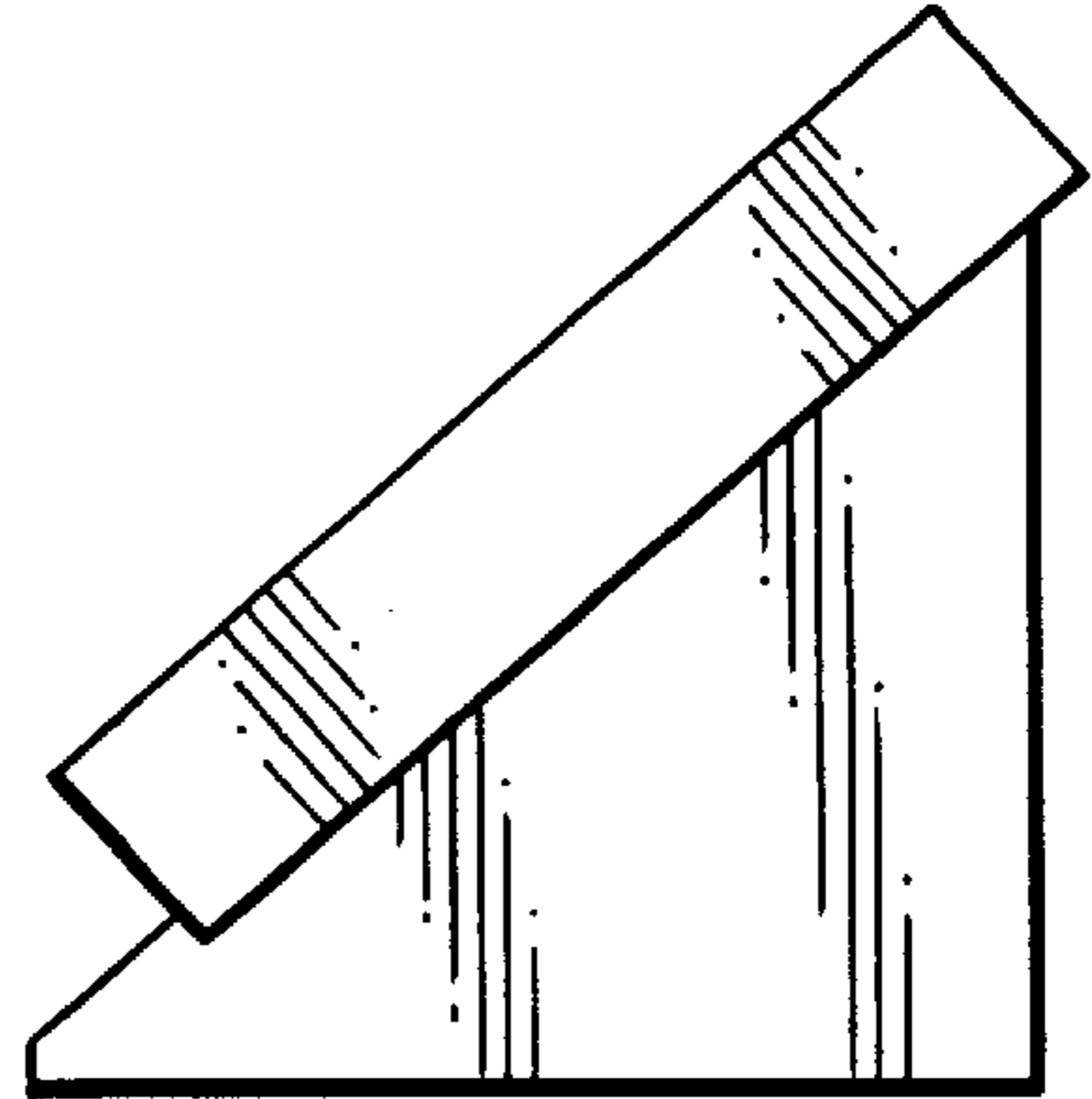


FIG. 4

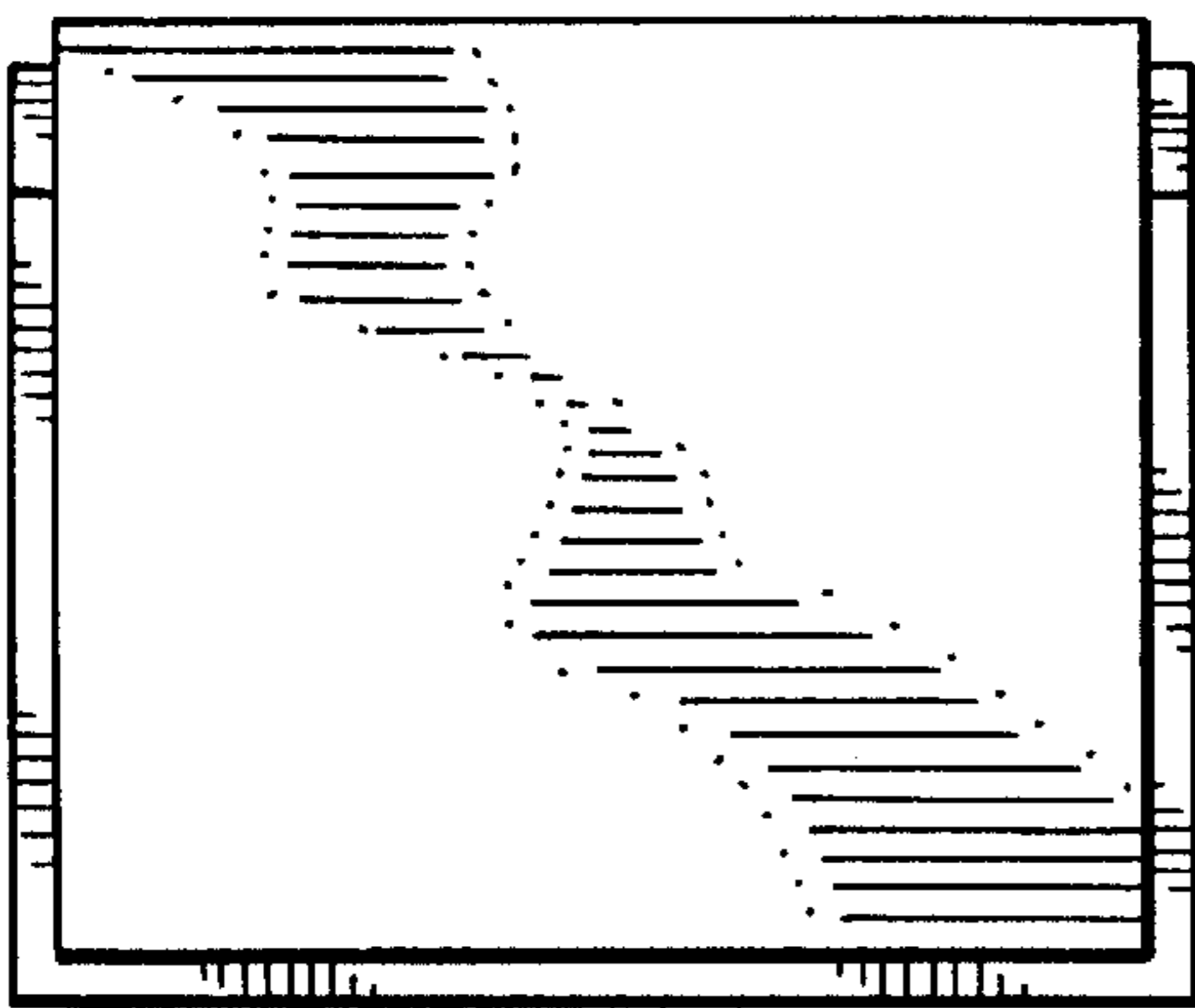


FIG. 5

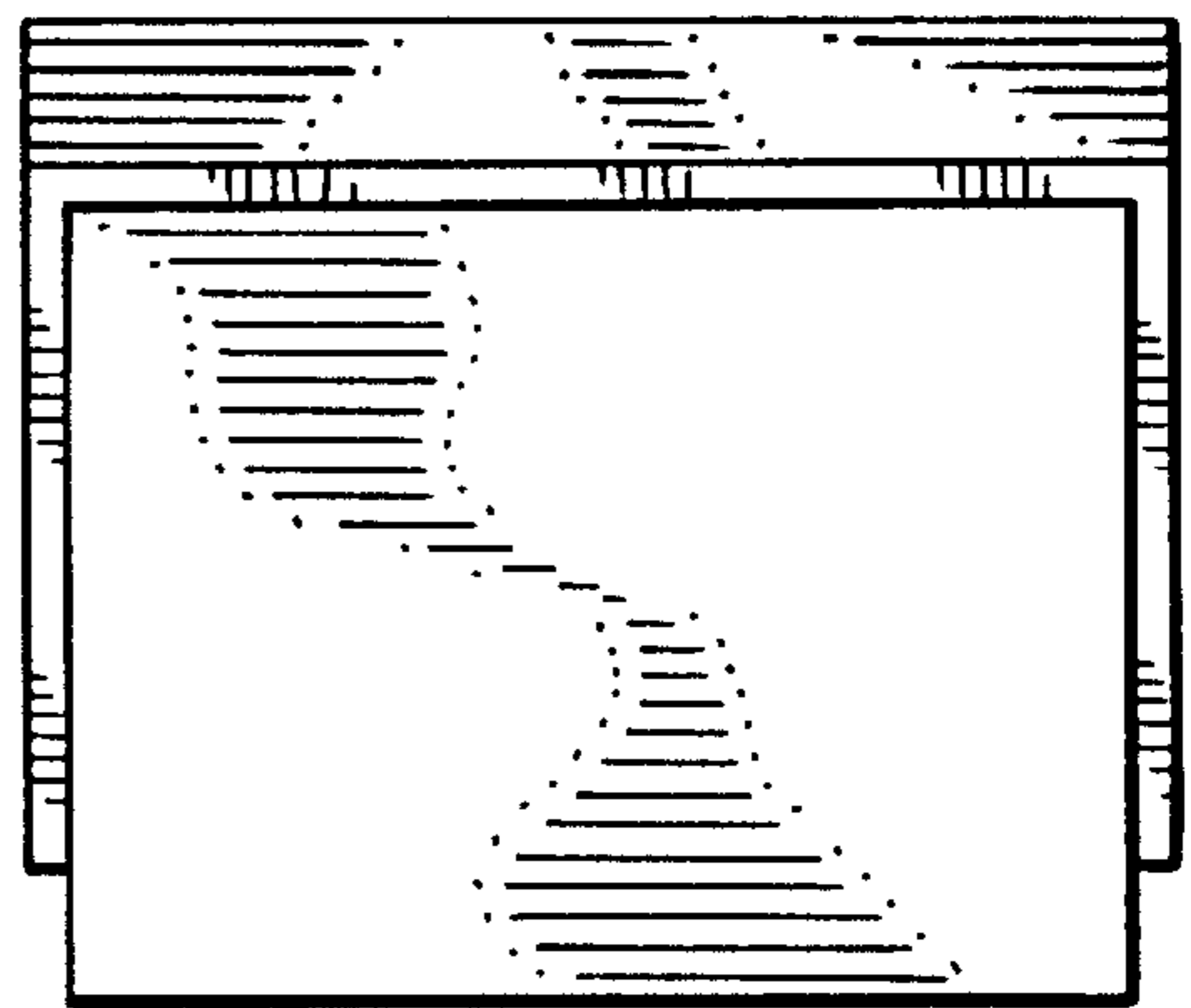


FIG. 6