



US00D452275B1

(12) **United States Design Patent**
Najmi

(10) **Patent No.:** **US D452,275 S**

(45) **Date of Patent:** **** Dec. 18, 2001**

(54) **FAN-FOLDED PAD HOLDER WITH WALL CLIP AND PEN HOLDER**

(75) **Inventor:** **Boman K Najmi**, Crofton, MD (US)

(73) **Assignee:** **BHS International, Inc.**, Crofton, MD (US)

(**) **Term:** **14 Years**

(21) **Appl. No.:** **29/133,411**

(22) **Filed:** **Nov. 30, 2000**

(51) **LOC (7) Cl.** **19-06**

(52) **U.S. Cl.** **D19/78; D19/83; D6/519**

(58) **Field of Search** D6/515, 518, 519, D6/553; D19/65, 75, 78, 86, 81, 83, 90, 91, 99, 100; 206/214, 224, 371; 211/69.1-69.9; 221/259, 33, 34, 44-46

(56) **References Cited**

U.S. PATENT DOCUMENTS

- D. 314,792 * 2/1991 Ilaria et al. D19/78
- D. 324,076 * 2/1992 Freitag D19/78
- D. 333,843 * 3/1993 Hartmann et al. D19/78
- D. 368,933 * 4/1996 Wilson et al. D19/86
- D. 416,584 * 11/1999 Ho D19/78

- D. 419,192 * 1/2000 Huang D19/78
- D. 438,252 * 2/2001 Trombly D19/78
- D. 438,253 * 2/2001 Korowitz et al. D19/78
- D. 445,834 * 7/2001 Huang D19/78
- 4,865,223 * 9/1989 Huang 221/259
- 4,986,440 * 1/1991 Windorski 206/214
- 5,601,187 * 2/1997 Sheng-Wen 206/214

* cited by examiner

Primary Examiner—Martie K. Holtje

(74) *Attorney, Agent, or Firm*—Rabin & Berdo, P.C.

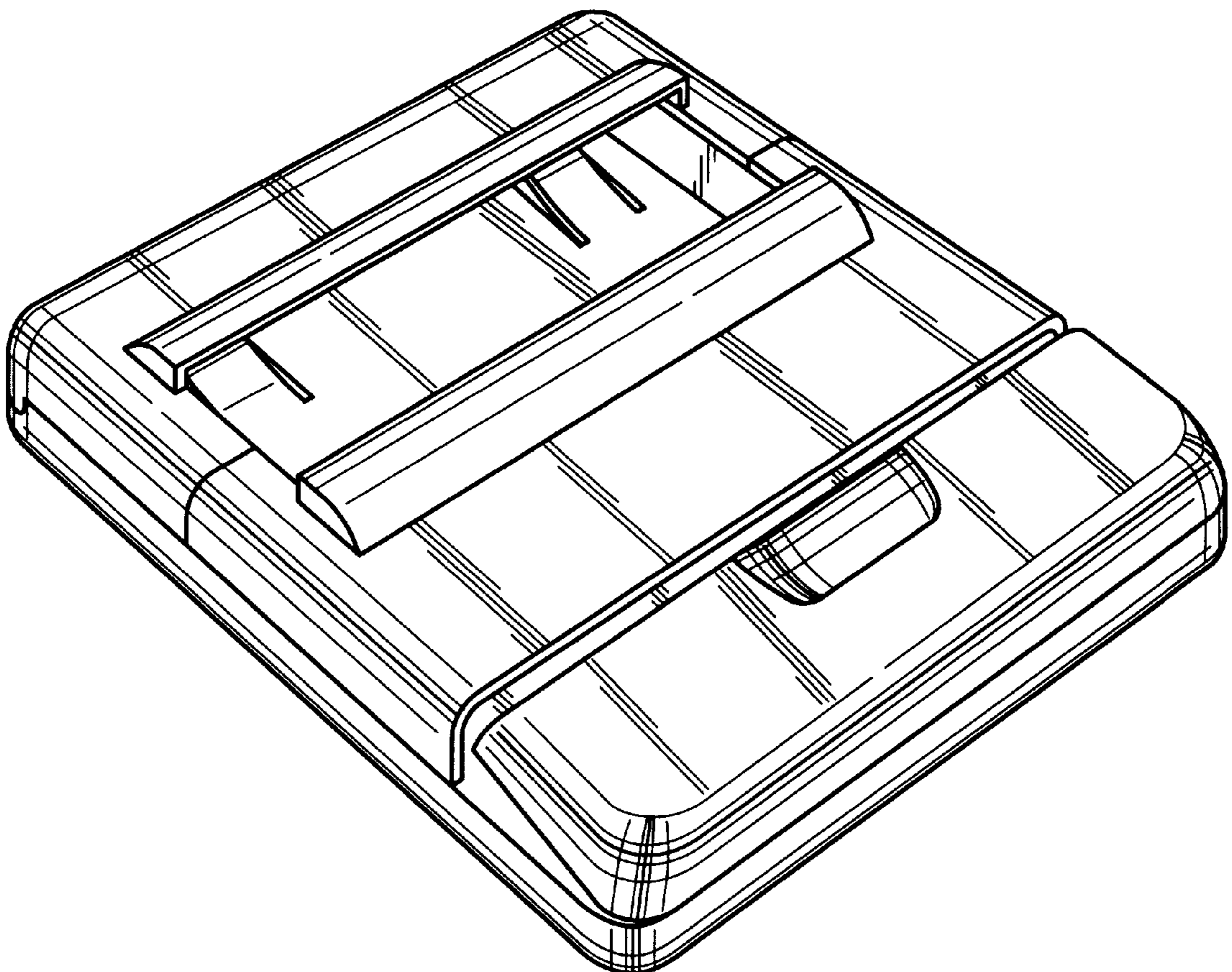
(57) **CLAIM**

The ornamental design for a fan-folded pad holder with wall clip and pen holder, as shown and described.

DESCRIPTION

FIG. 1 is a front perspective view of a fan-folded pad holder with wall clip and pen holder showing my new design; FIG. 2 is a front perspective view in an open position; FIG. 3 is a front view thereof; FIG. 4 is a left side view thereof; FIG. 5 is a top view thereof; FIG. 6 is a right side view thereof; FIG. 7 is a bottom view thereof; and, FIG. 8 is a rear view thereof.

1 Claim, 4 Drawing Sheets



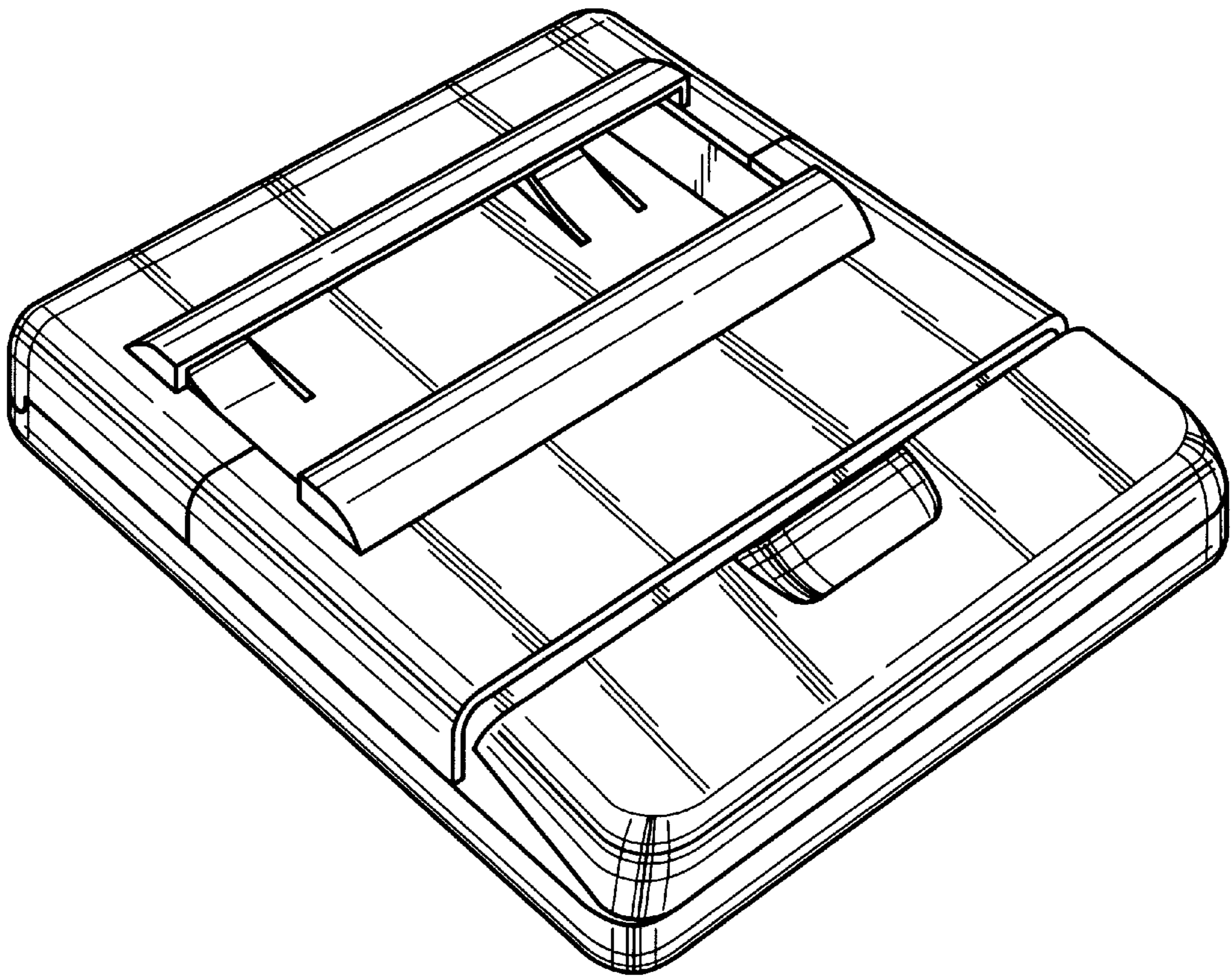


FIG. 1

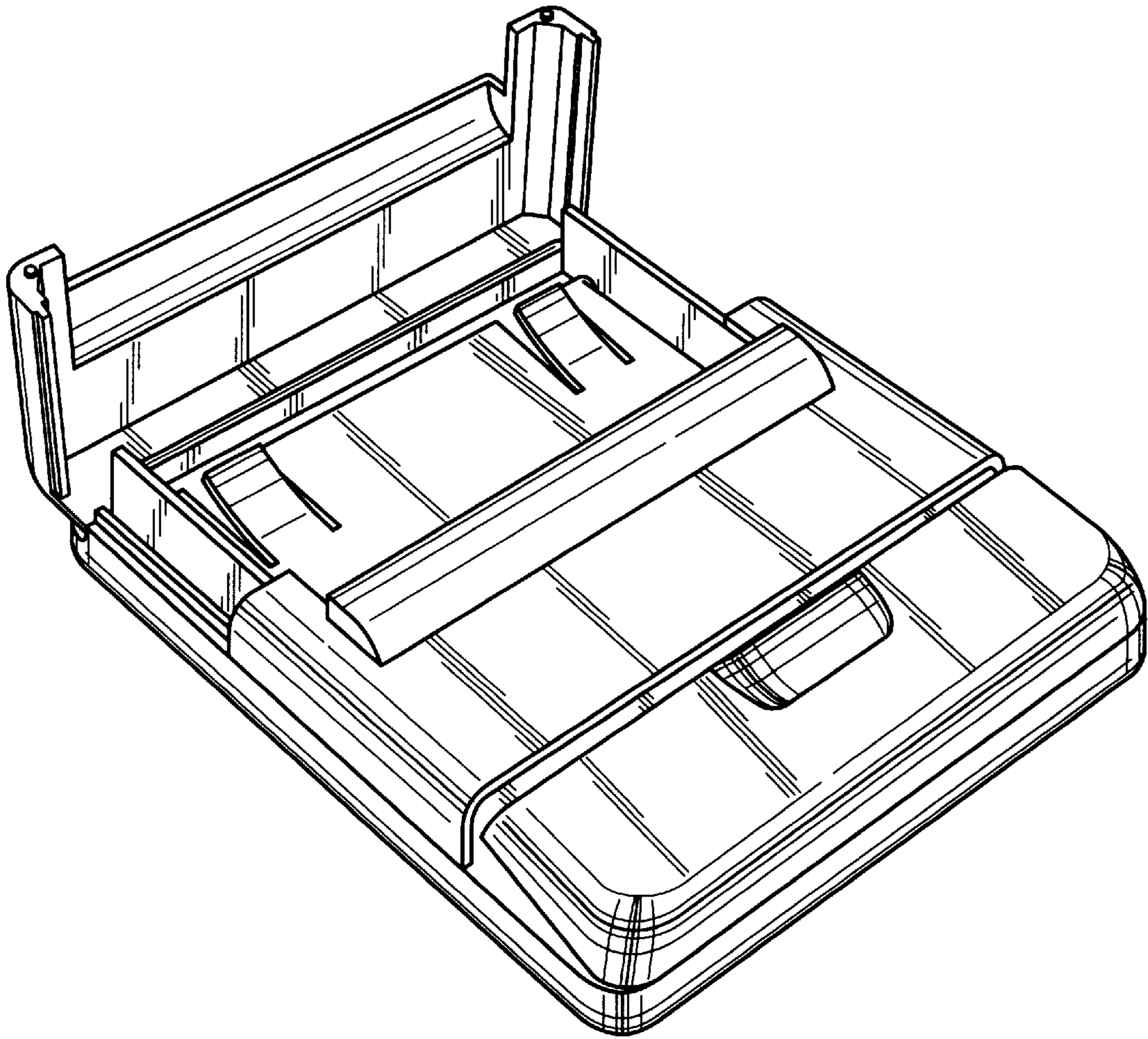


FIG. 2

FIG. 5

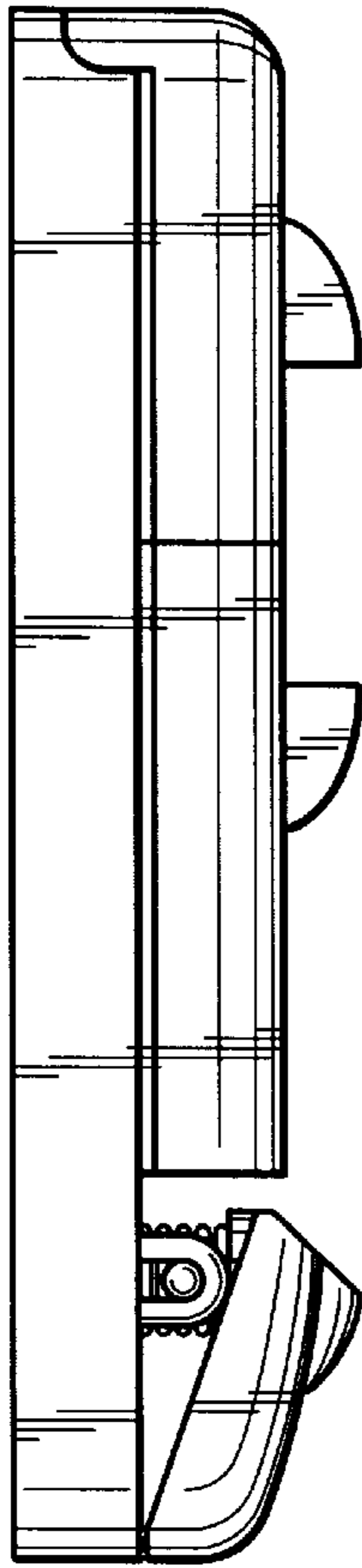
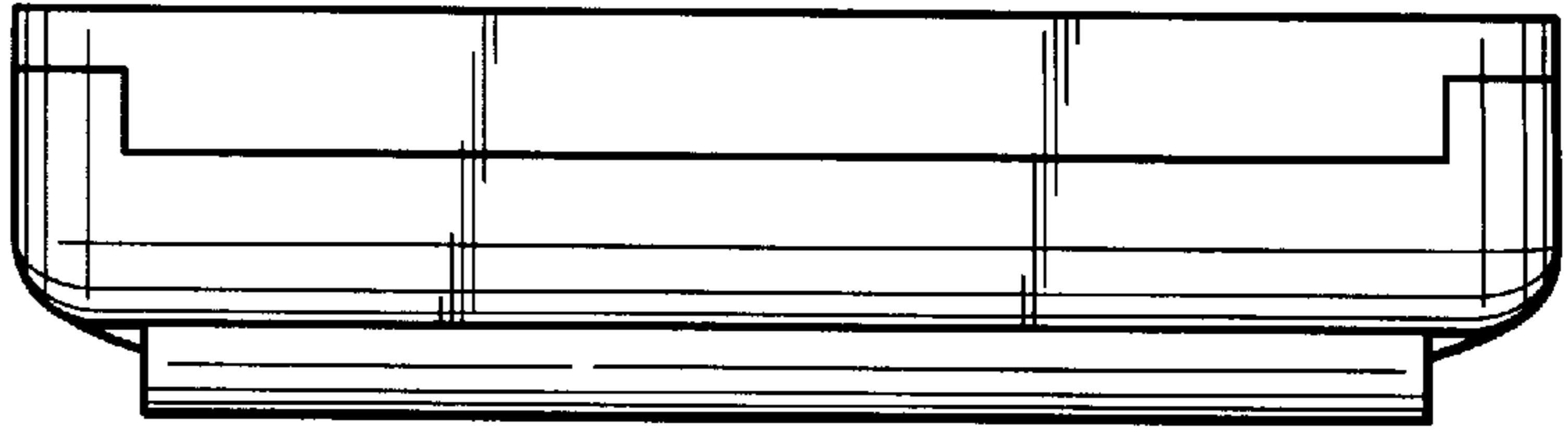


FIG. 4

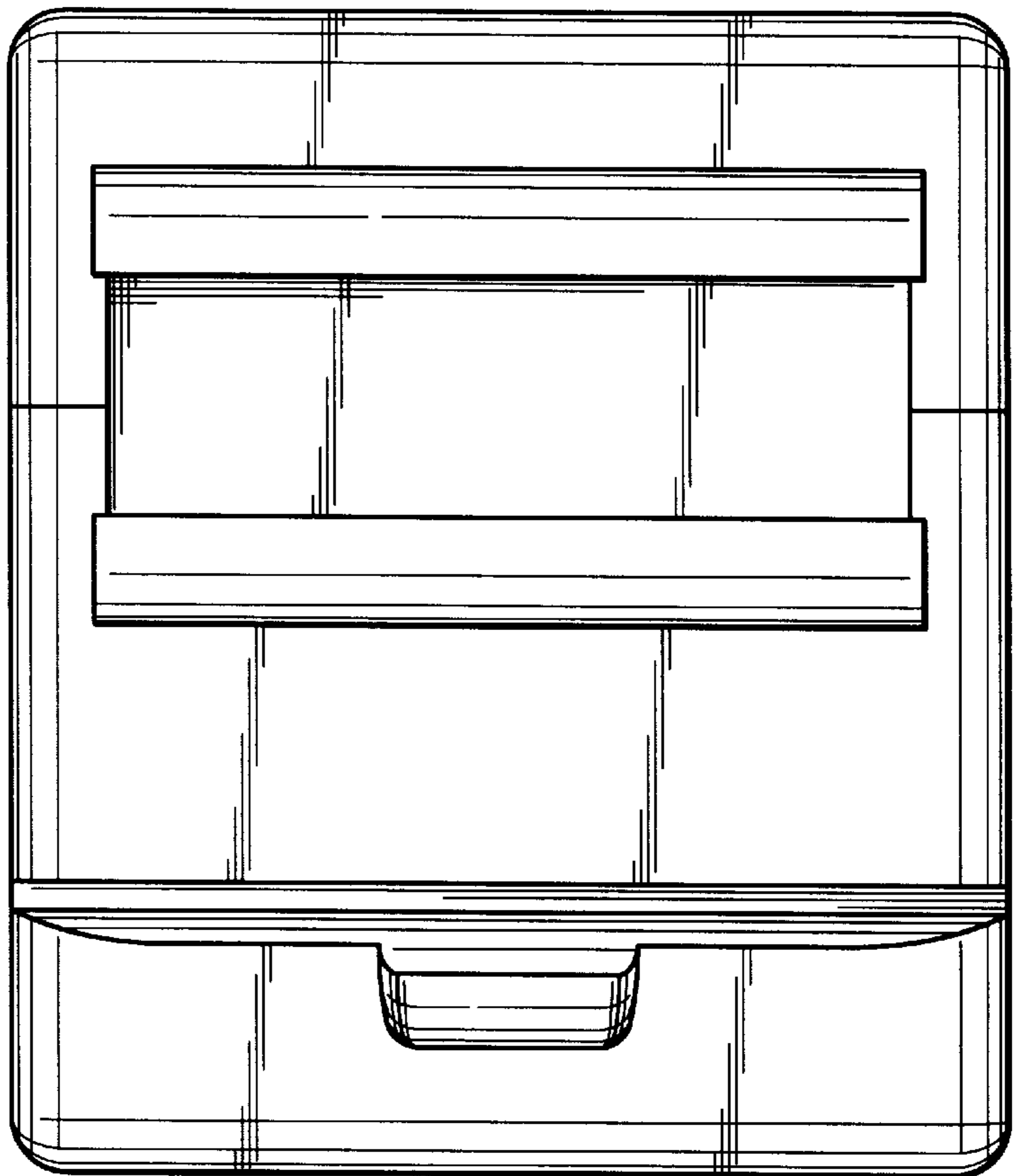


FIG. 3

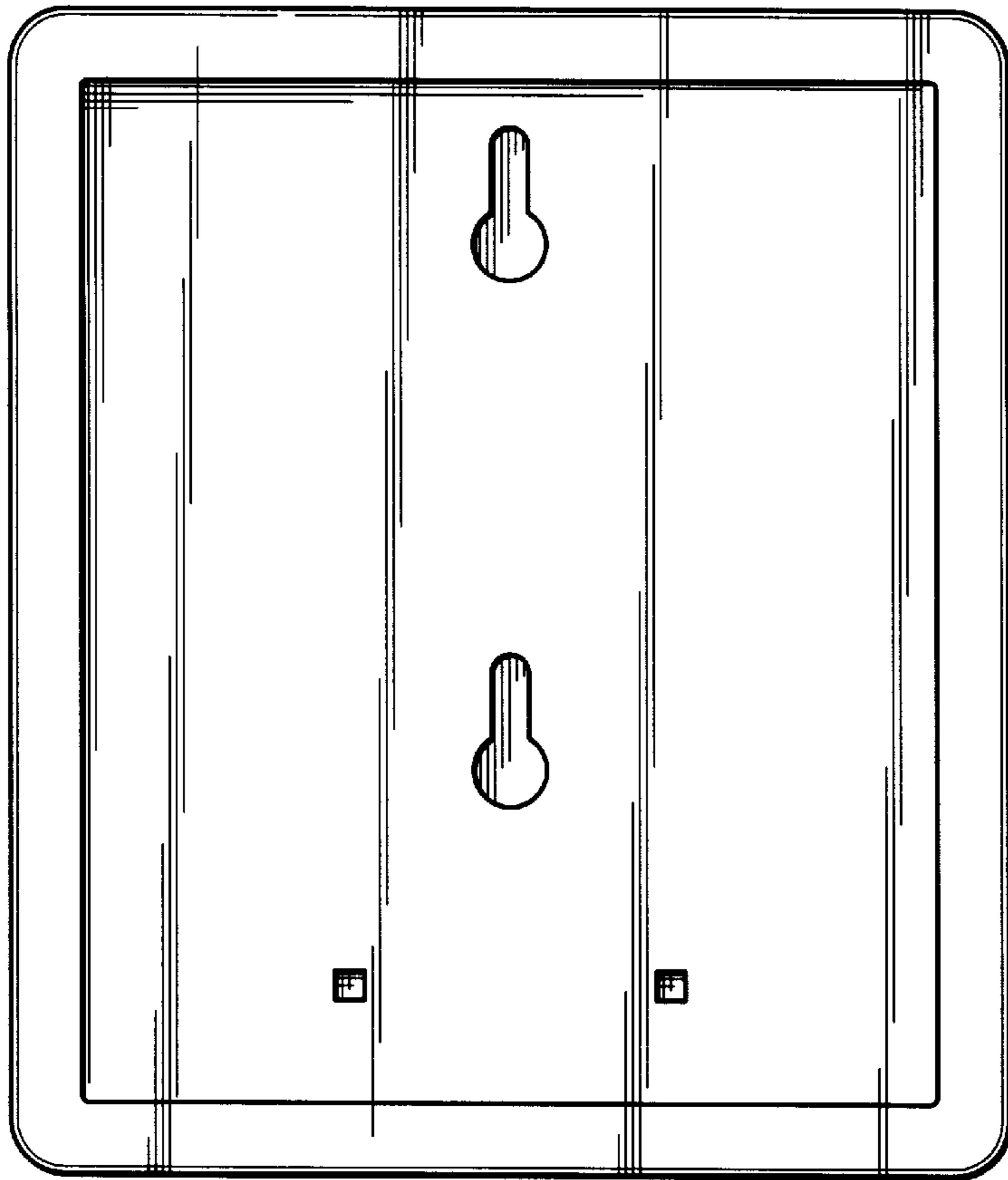


FIG. 8

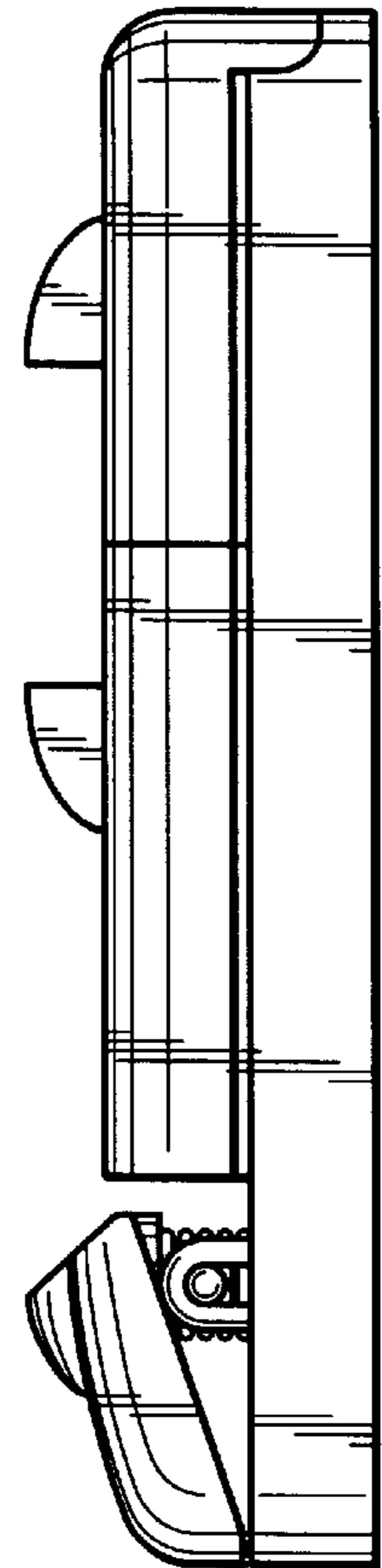


FIG. 6

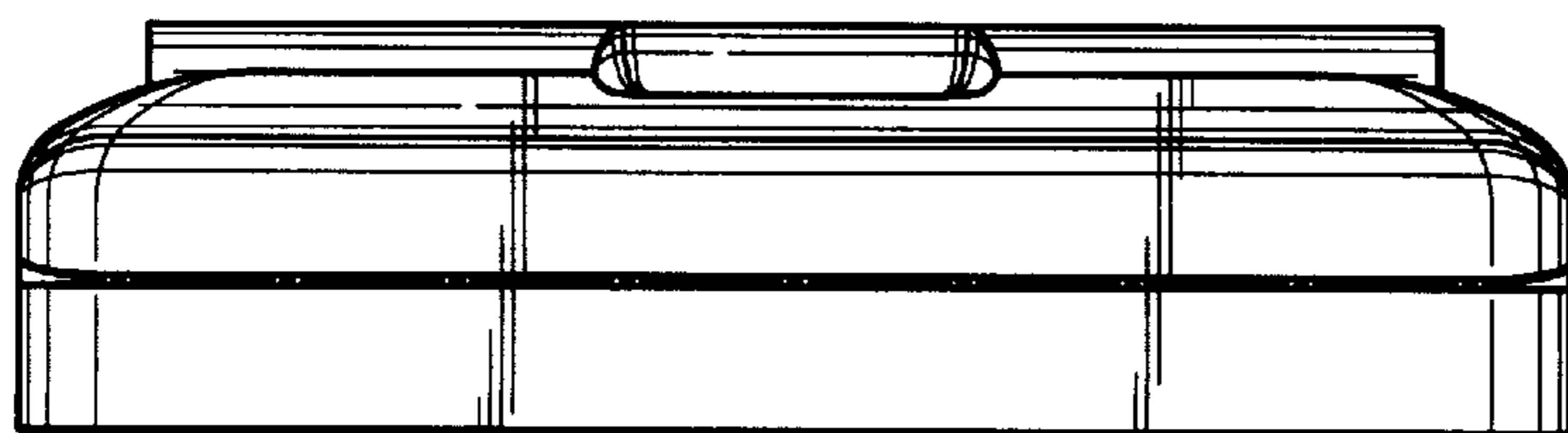


FIG. 7