



US00D452270B1

(12) **United States Design Patent**
Mershon

(10) **Patent No.:** **US D452,270 S**

(45) **Date of Patent:** **** Dec. 18, 2001**

(54) **COMBINATION PEN AND BOOKMARK**

(76) Inventor: **Randolph J. Mershon**, 300 Winston Dr., Cliffside Park, NJ (US) 07010

(**) Term: **14 Years**

(21) Appl. No.: **29/141,958**

(22) Filed: **May 16, 2001**

(51) **LOC (7) Cl.** **19-06**

(52) **U.S. Cl.** **D19/36; D19/46; D19/51; D19/34**

(58) **Field of Search** **D19/34, 35, 36, D19/41-51, 53-58, 81-85; 401/52, 195, 98, 202, 213, 243-247, 262; 116/234-239; 24/547, 563**

(56) **References Cited**

U.S. PATENT DOCUMENTS

- D. 309,473 * 7/1990 Toy D19/34
- D. 355,933 * 2/1995 Collins D19/36
- D. 410,029 * 5/1999 Melnick D19/36
- D. 429,499 * 8/2000 Mershon D19/34 X

- 866,141 * 9/1907 Kay, Jr. 24/547
- 1,974,667 * 9/1934 Sollinger 401/195
- 2,335,903 * 12/1943 Beckett 24/563
- 4,149,812 * 4/1979 Huffman, Jr. 401/195 X
- 5,984,558 * 11/1999 Diep 401/195

* cited by examiner

Primary Examiner—Martie K. Holtje

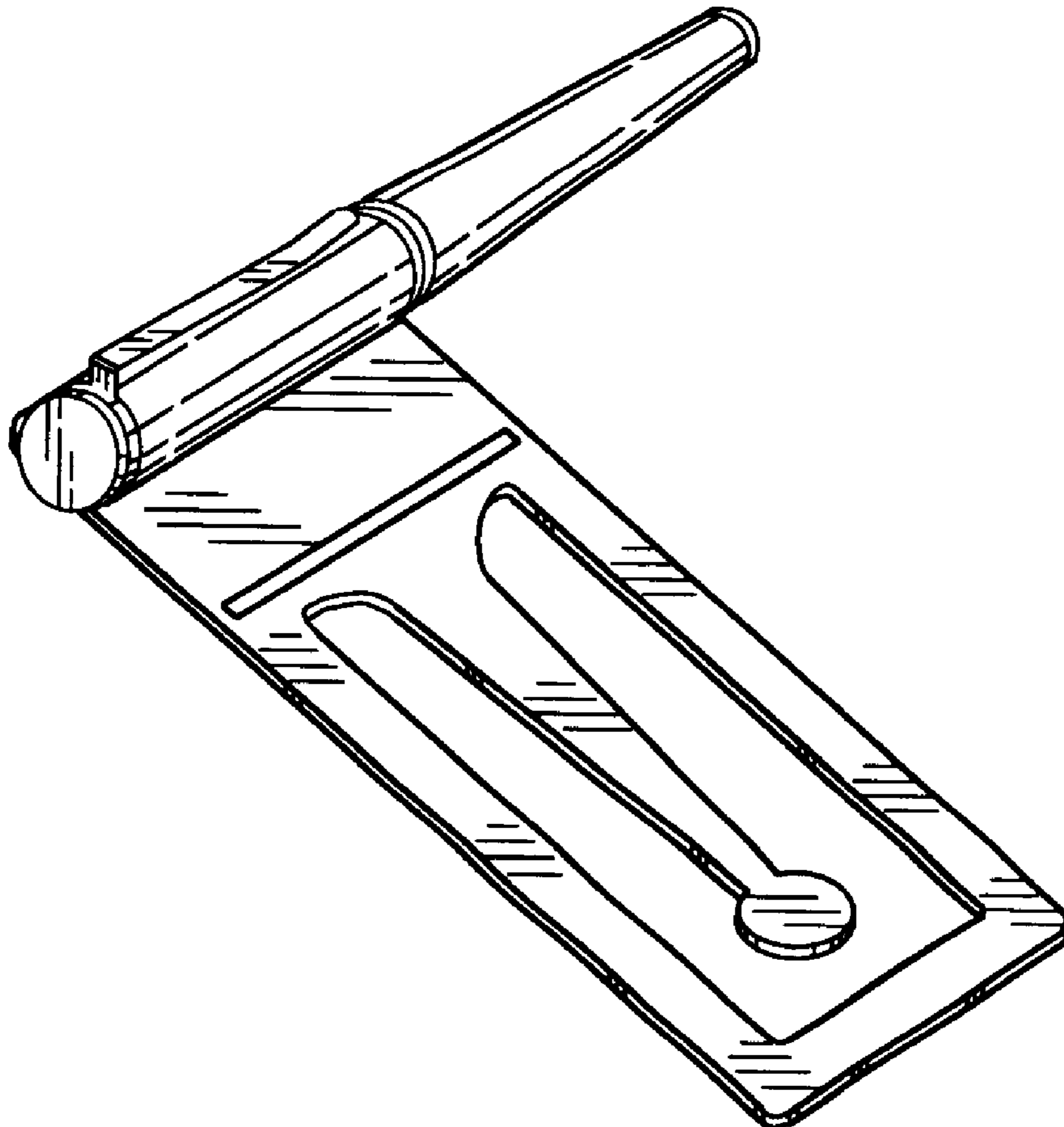
(57) **CLAIM**

The ornamental design for a combination pen and bookmark, substantially as shown.

DESCRIPTION

FIG. 1 is an isometric view from the front of a combination pen and bookmark incorporating the design; FIG. 2 is a right-side view thereof; FIG. 3 is a left-side view thereof; FIG. 4 is a top plan view thereof; FIG. 5 is a bottom plan view thereof; and FIG. 6 is a left side view thereof; and, FIG. 7 is a right side view thereof.

1 Claim, 4 Drawing Sheets



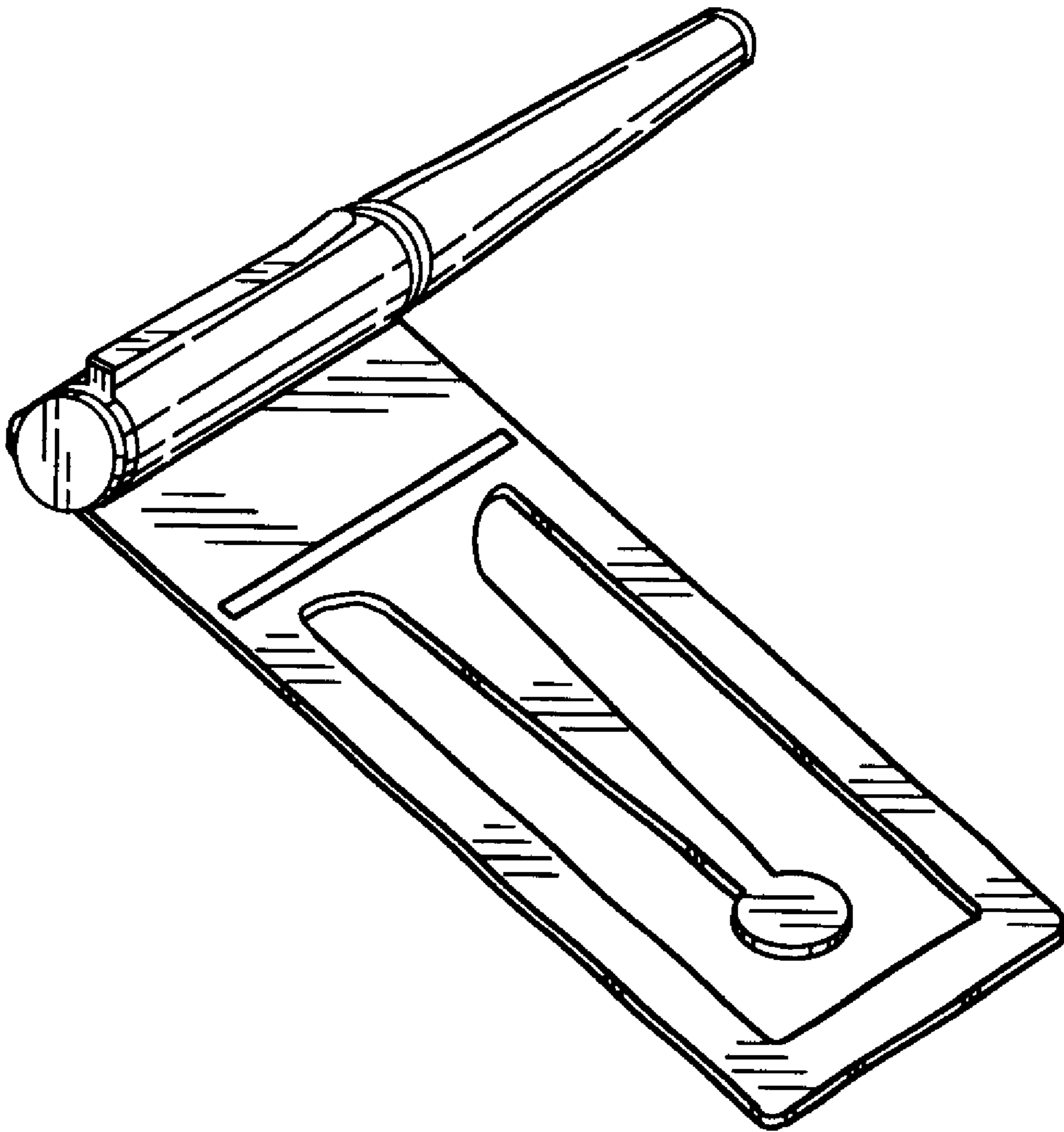


FIG. 1



FIG. 2



FIG. 3

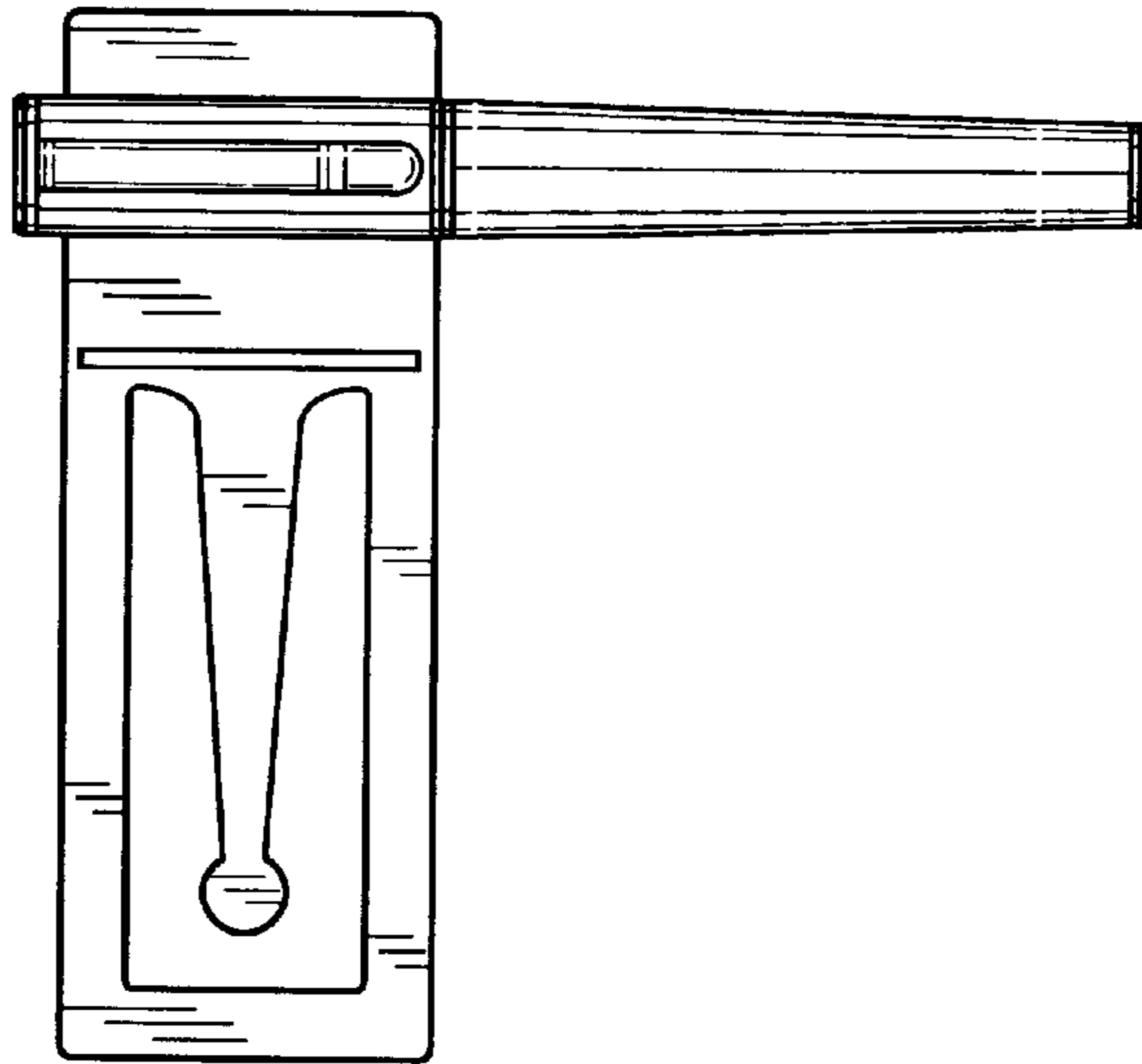


FIG. 4

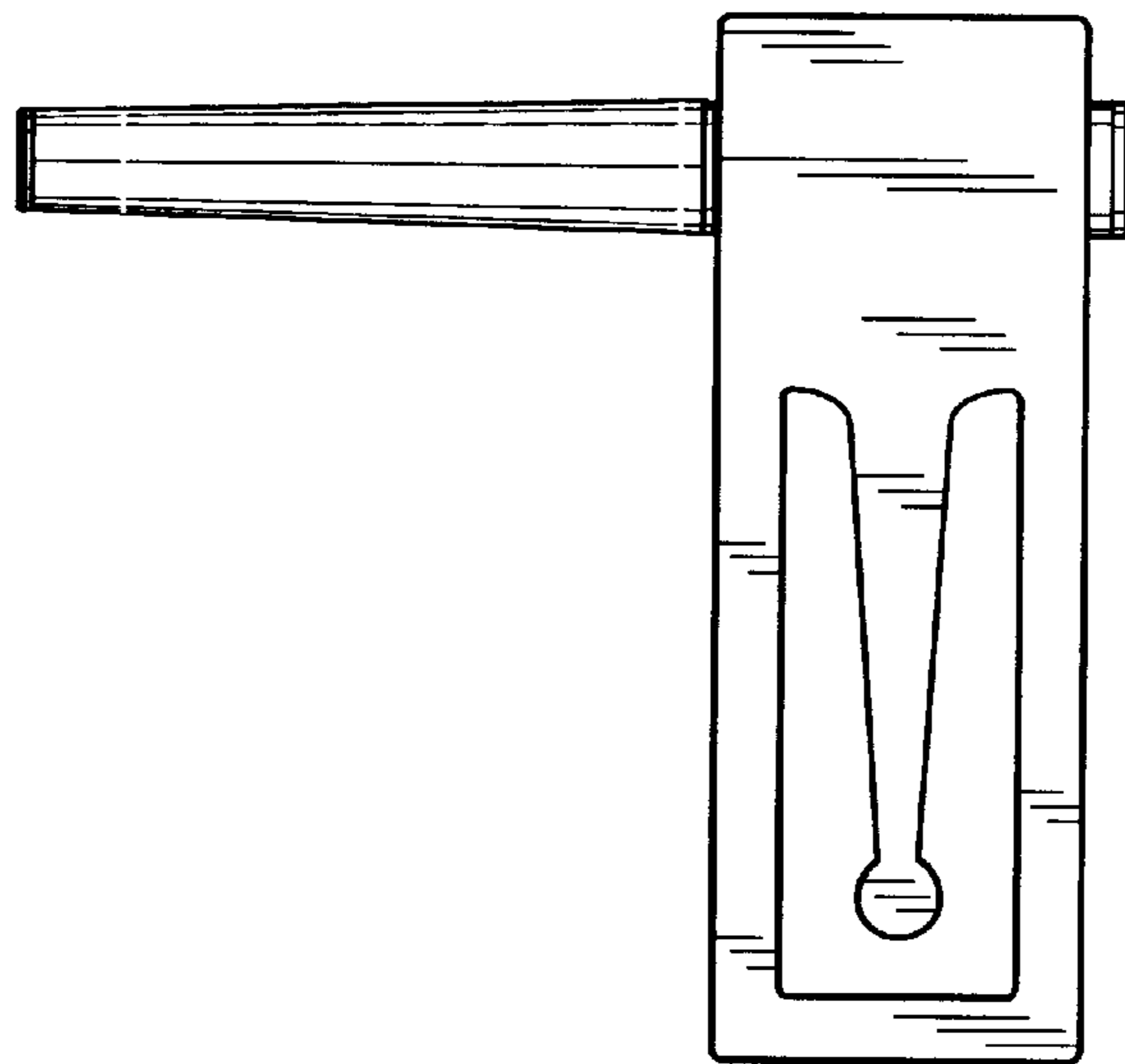


FIG. 5

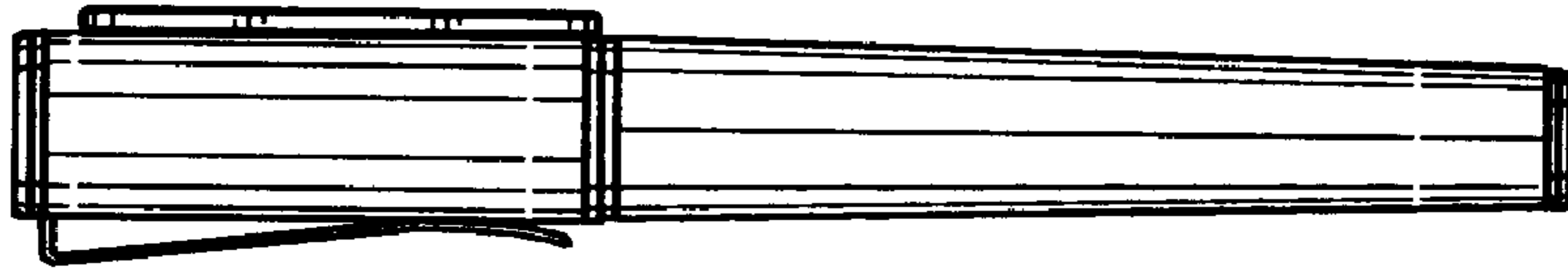


FIG. 6

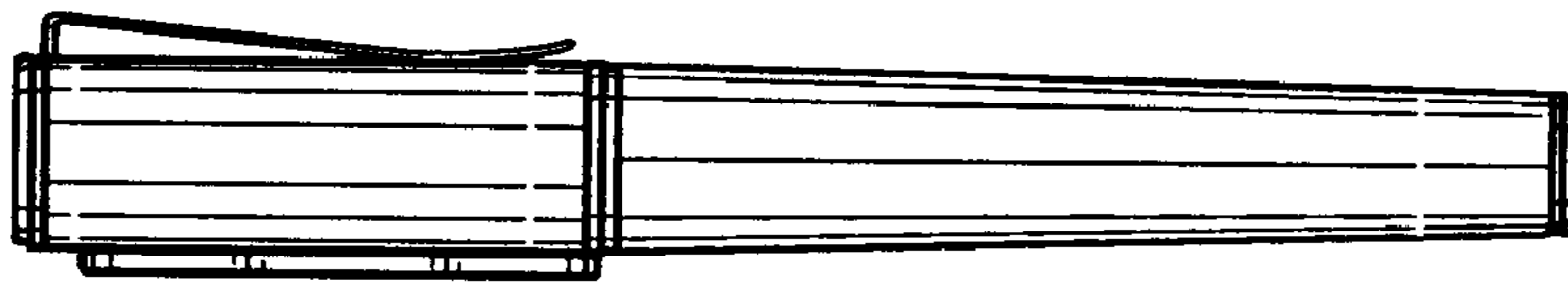


FIG. 7