



US00D452266B1

(12) **United States Design Patent**
Weirsman et al.

(10) **Patent No.: US D452,266 S**

(45) **Date of Patent: ** Dec. 18, 2001**

(54) **POSTAGE METER DEVICE**

(75) Inventors: **William A. Weirsman**, Orange; **Allen A. Crowe**, Prospect, both of CT (US)

(73) Assignee: **Ascom Hasler Mailing Systems, Inc.**, Shelton, CT (US)

(**) Term: **14 Years**

(21) Appl. No.: **29/122,694**

(22) Filed: **May 2, 2000**

(51) **LOC (7) Cl.** **18-02**

(52) **U.S. Cl.** **D18/51**

(58) **Field of Search** D18/51, 50, 52,
D18/54, 55, 19; 101/47; 235/357; 346/9-11,
76; 347/222

(56) **References Cited**

U.S. PATENT DOCUMENTS

- D. 361,780 * 8/1995 Jenkins D18/51
- D. 404,422 * 1/1999 Beckstrom et al. D18/51

* cited by examiner

Primary Examiner—Melody N. Brown

(74) *Attorney, Agent, or Firm*—Perman & Green, LLP

(57) **CLAIM**

The ornamental design for a postage meter device, as shown and described.

DESCRIPTION

FIG. 1 is a top, front, and left side perspective view of a postage meter unit which incorporates the new design; FIG. 2 is a top, right side, and back perspective view thereof; FIG. 3 is a back, bottom and right side perspective view thereof; FIG. 4 is a top plan view of the device shown in FIG. 1; FIG. 5 is a bottom plan view of the device shown in FIG. 3; FIG. 6 is a left side elevational view of the unit shown in FIG. 1; FIG. 7 is a right side elevational view of the unit shown in FIG. 2; FIG. 8 is a front elevational view of the unit shown in FIG. 1; FIG. 9 is a back elevational view of the unit shown in FIG. 3; FIG. 10 is a top, front, and left side perspective view of the device shown in a second position; FIG. 11 is a left side, top and back perspective view of the device shown in FIG. 10; and, FIG. 12 is a top, front, and left side perspective view of the device in a third position.

1 Claim, 11 Drawing Sheets





FIG. 1

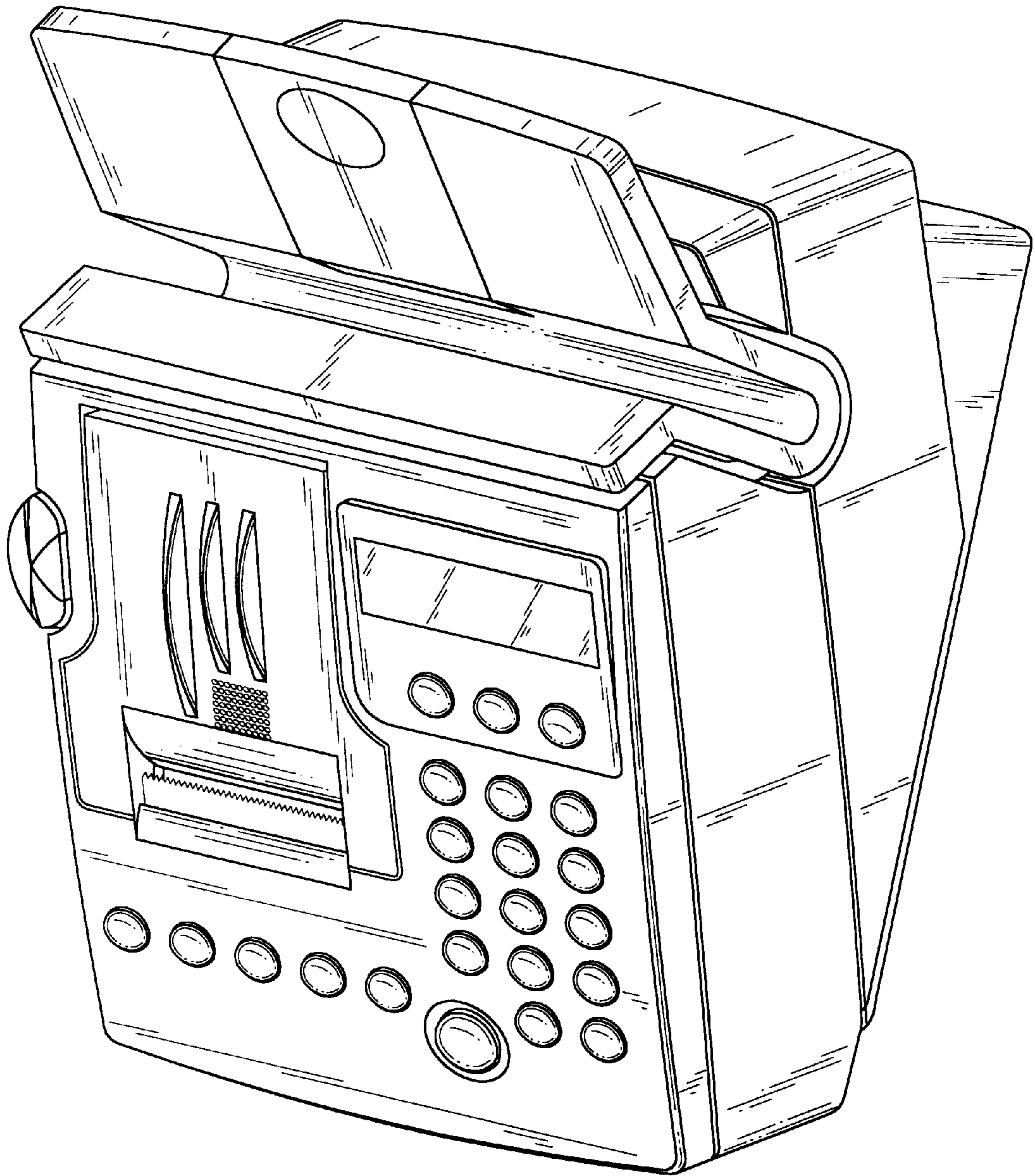


FIG. 2

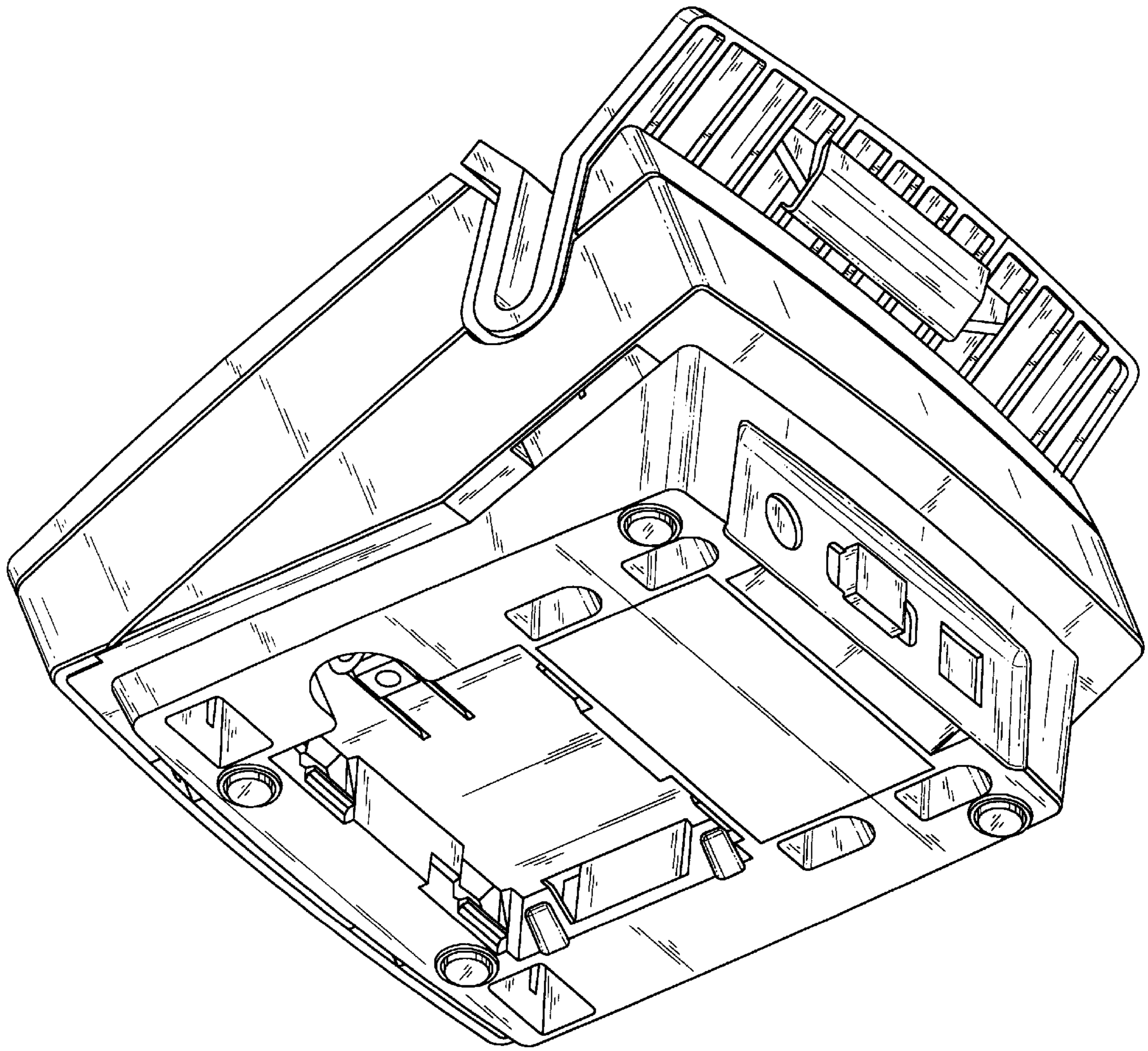


FIG. 3

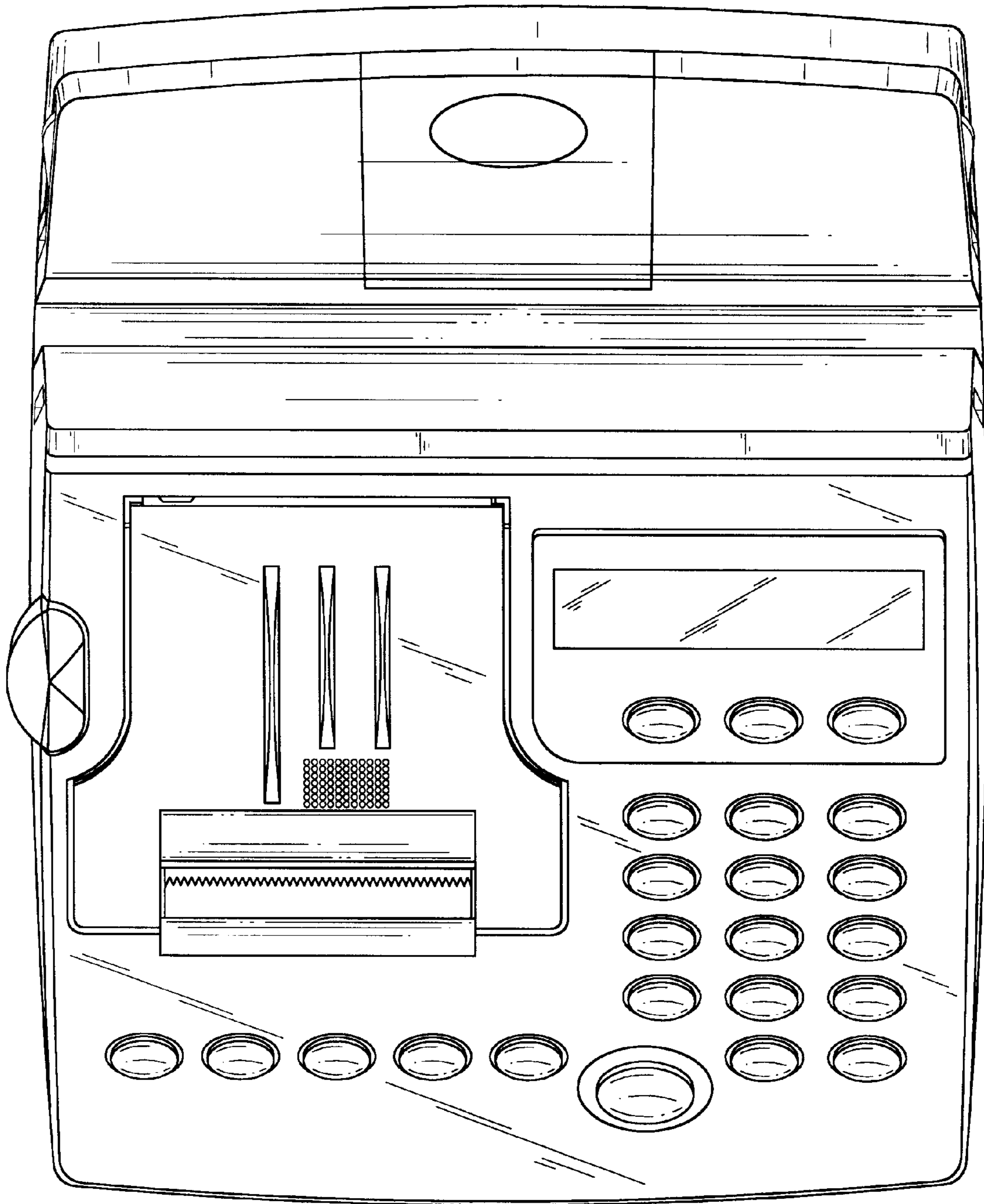


FIG. 4

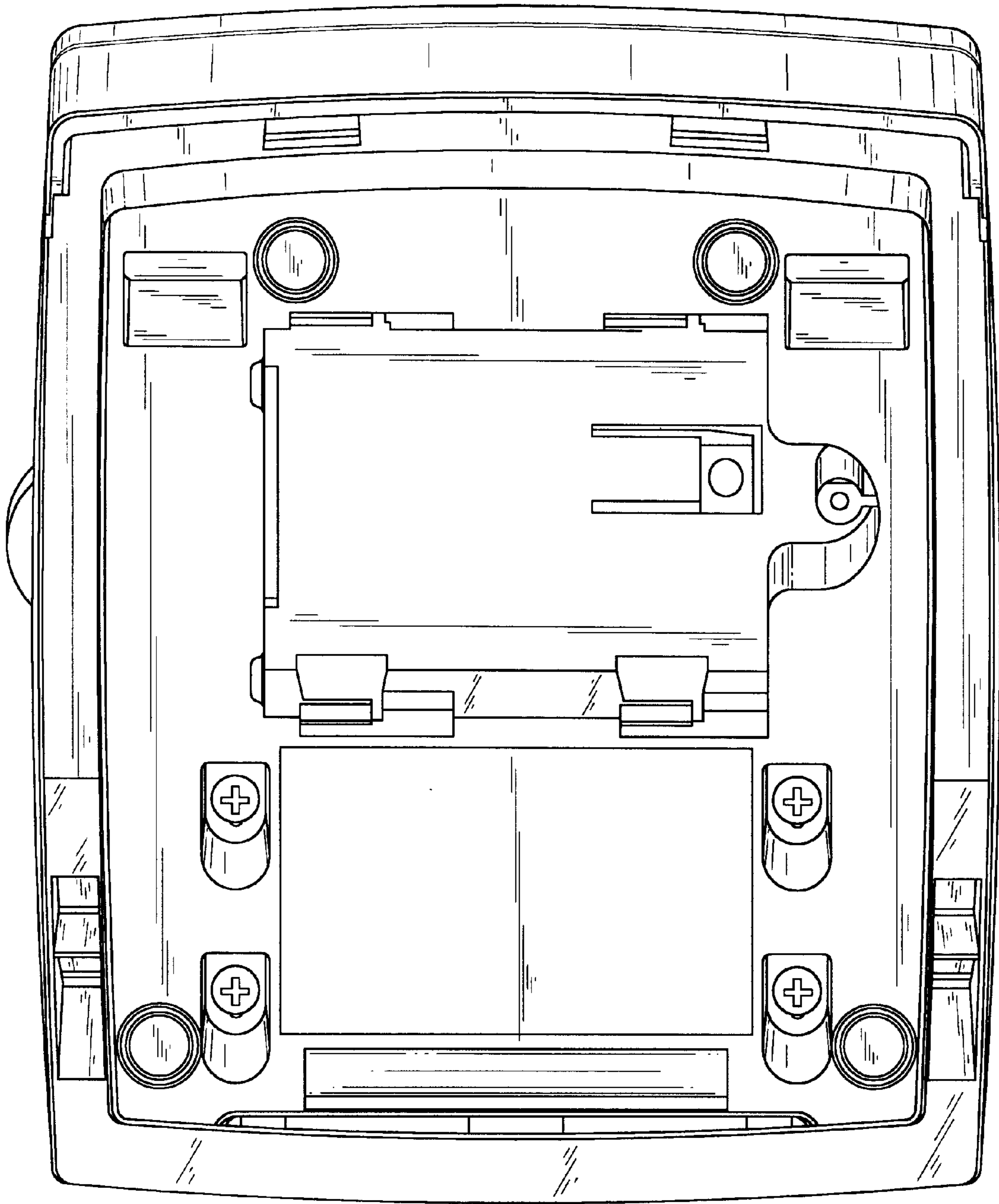


FIG. 5

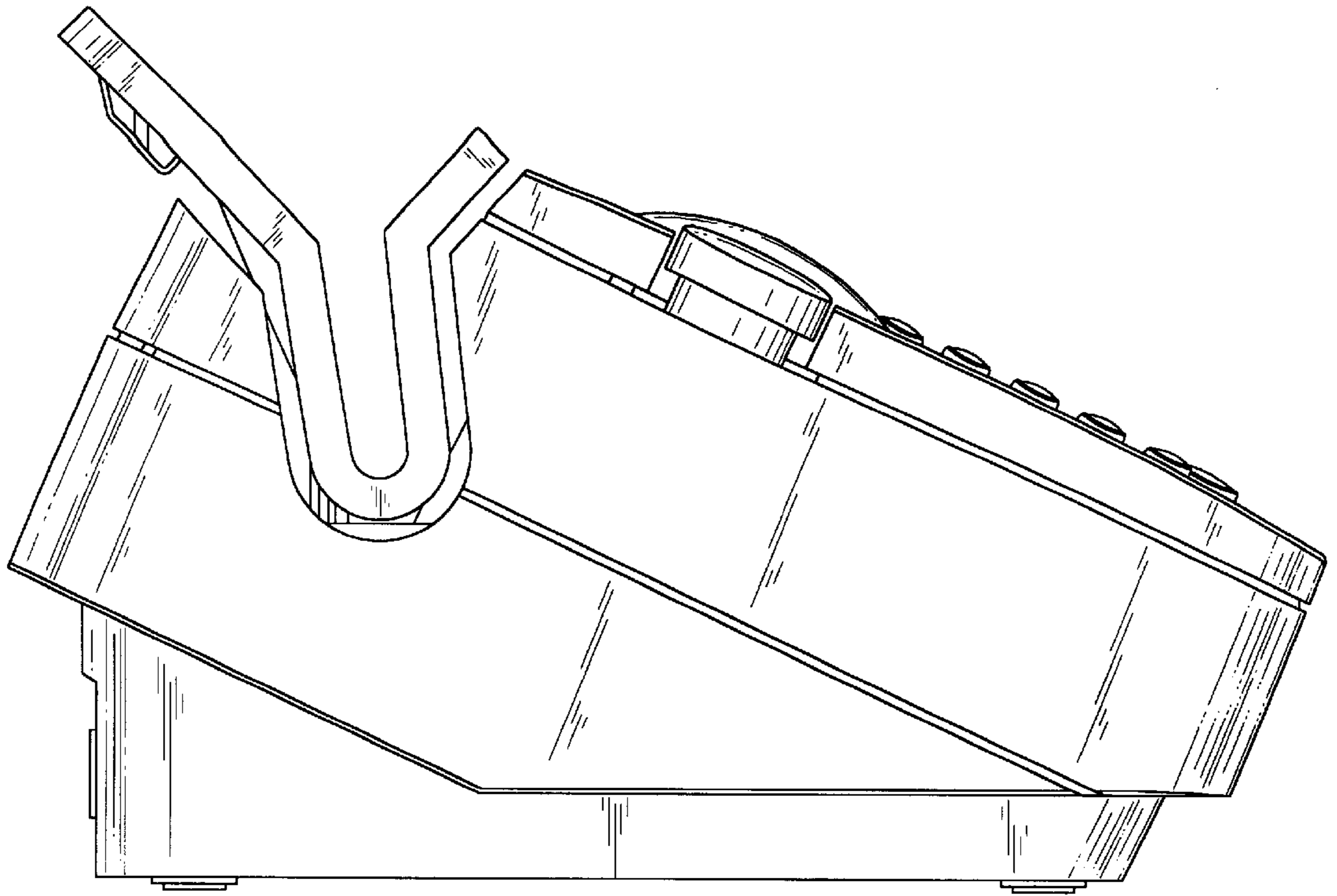


FIG. 6

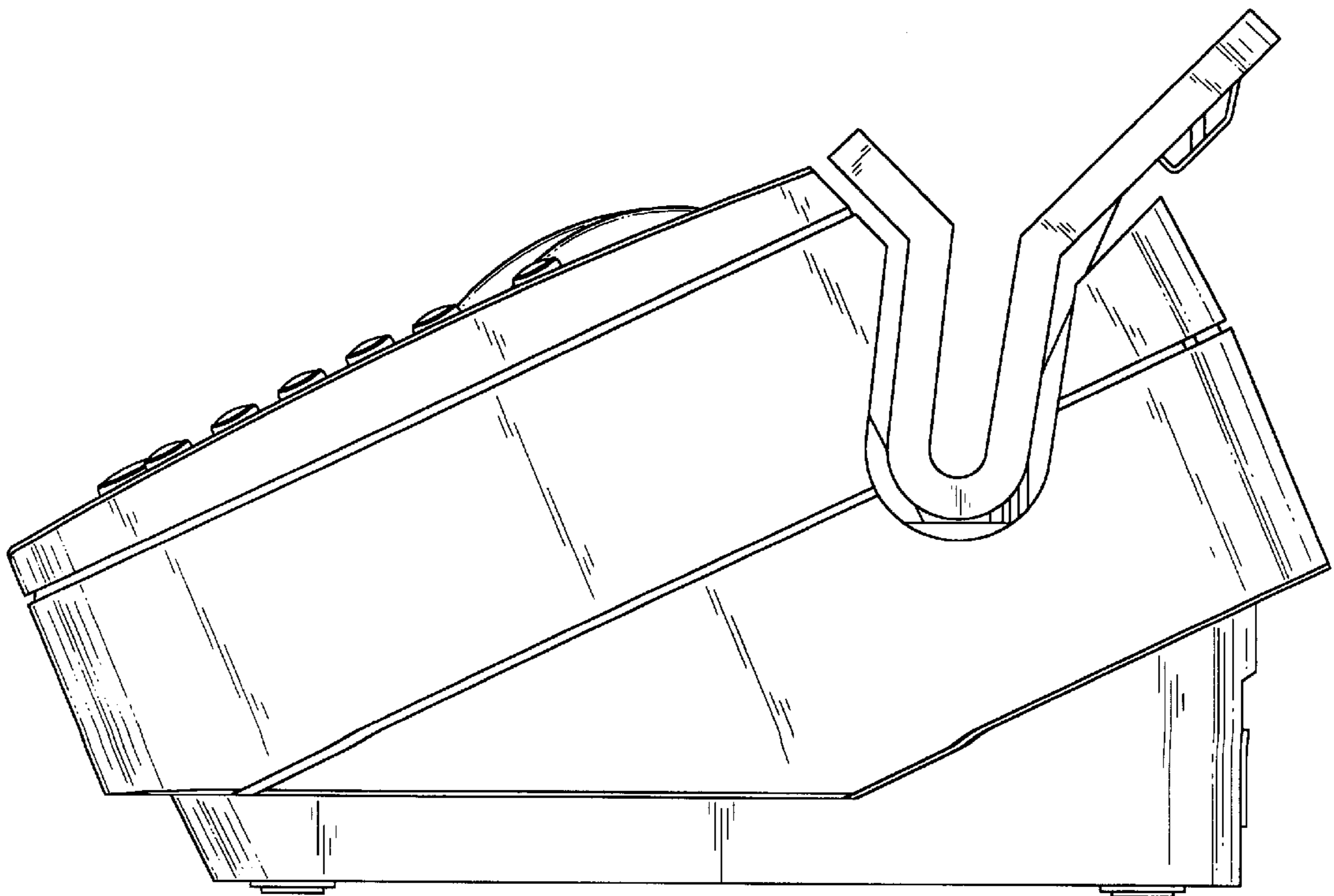


FIG. 7

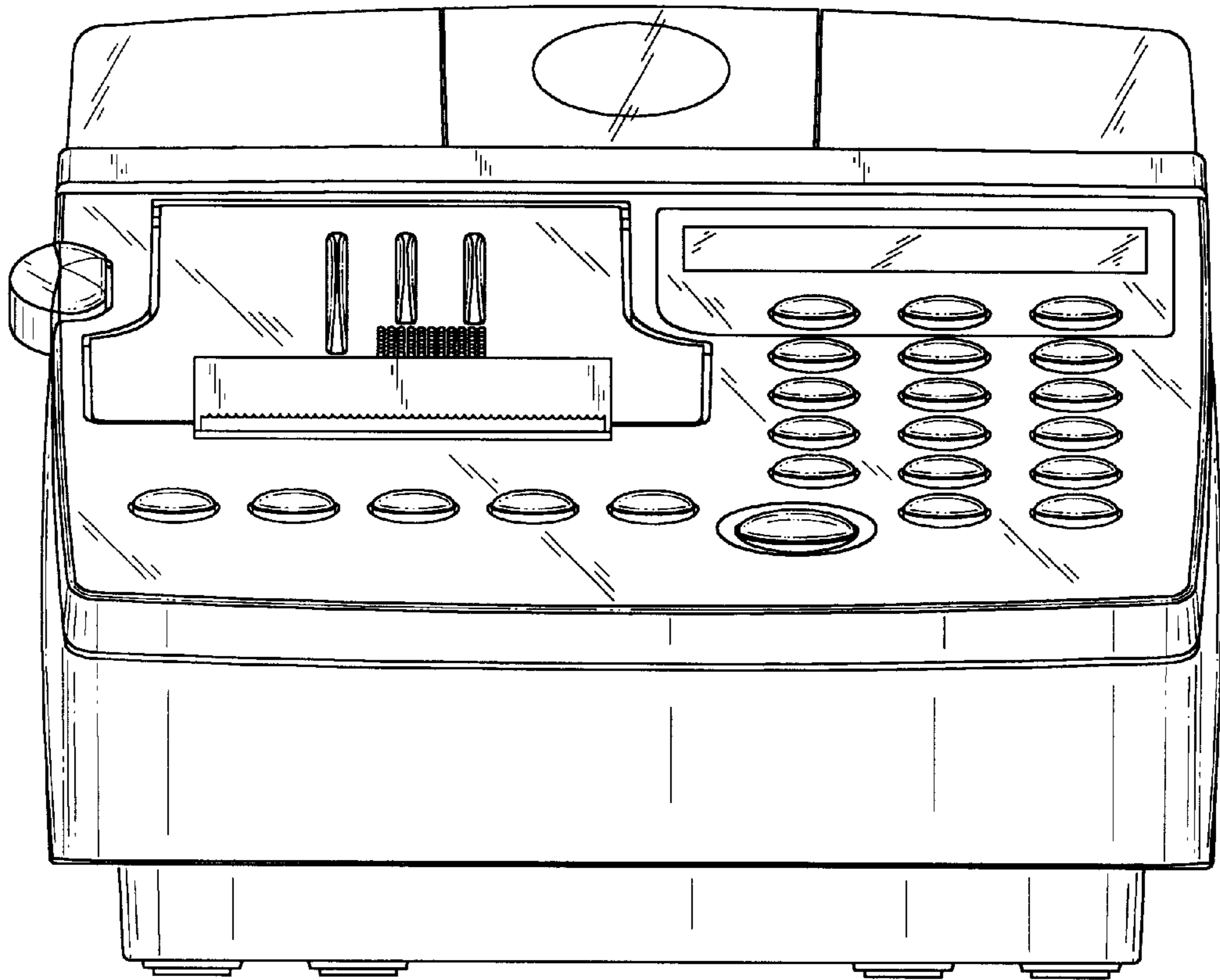


FIG. 8

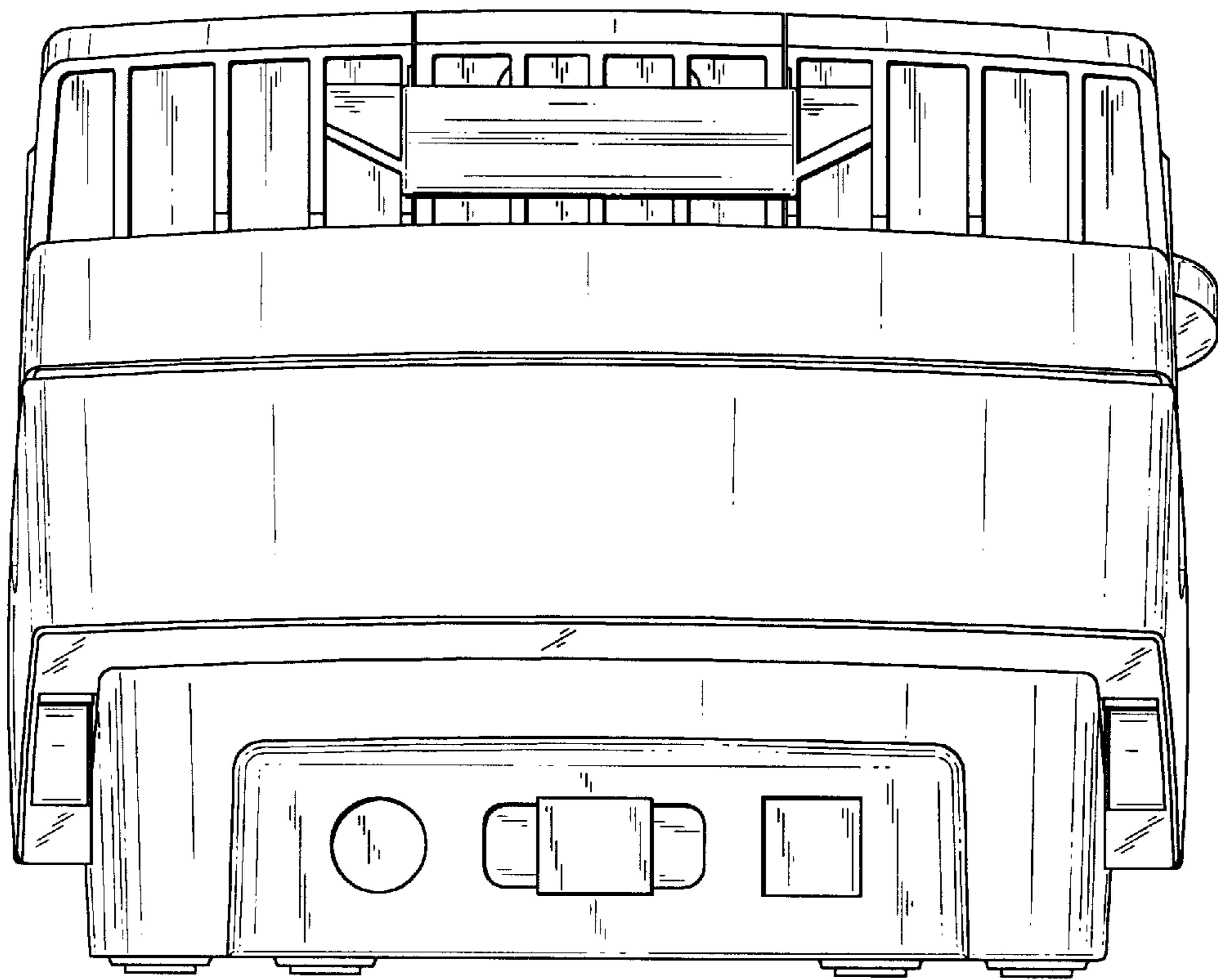


FIG. 9

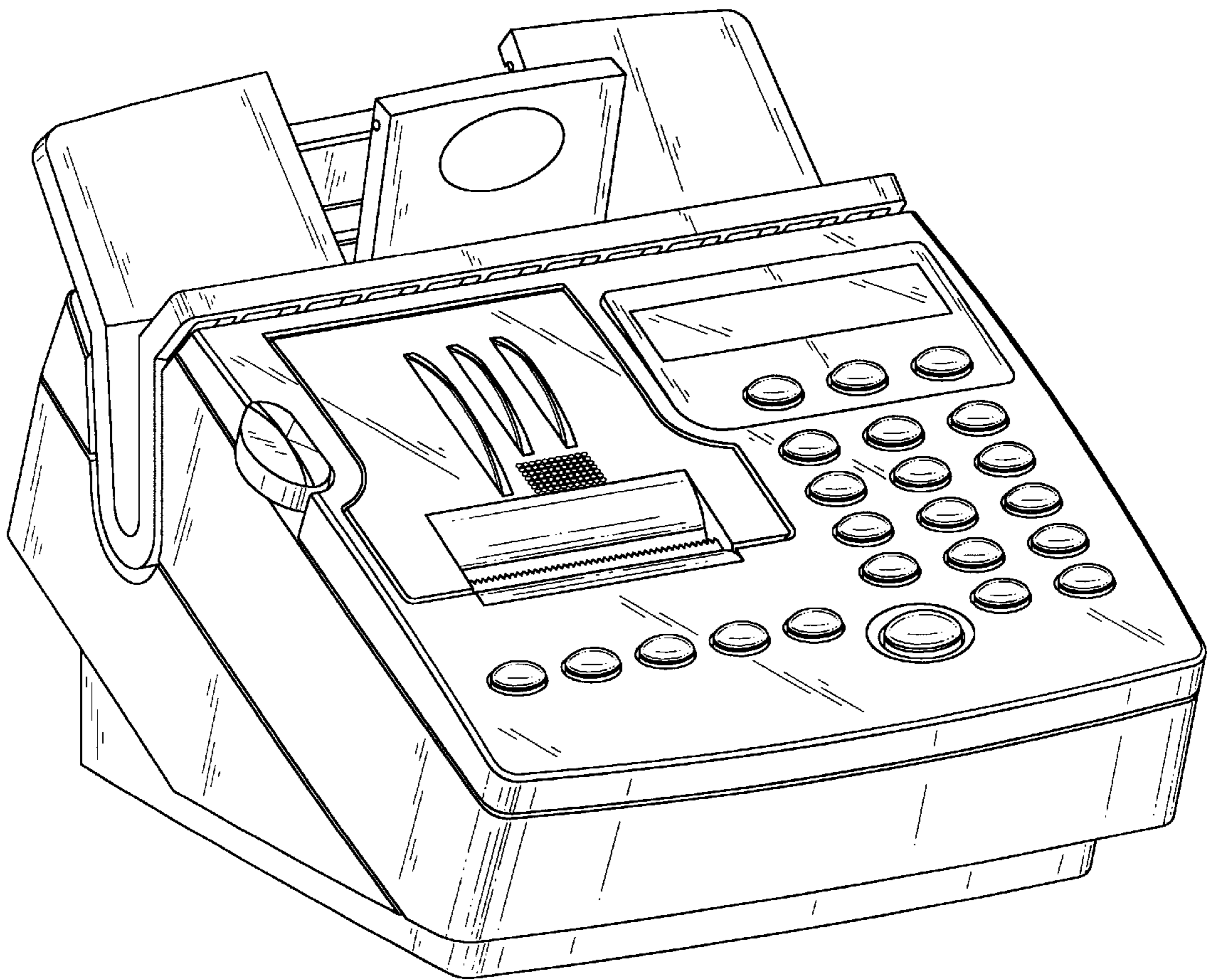


FIG. 10

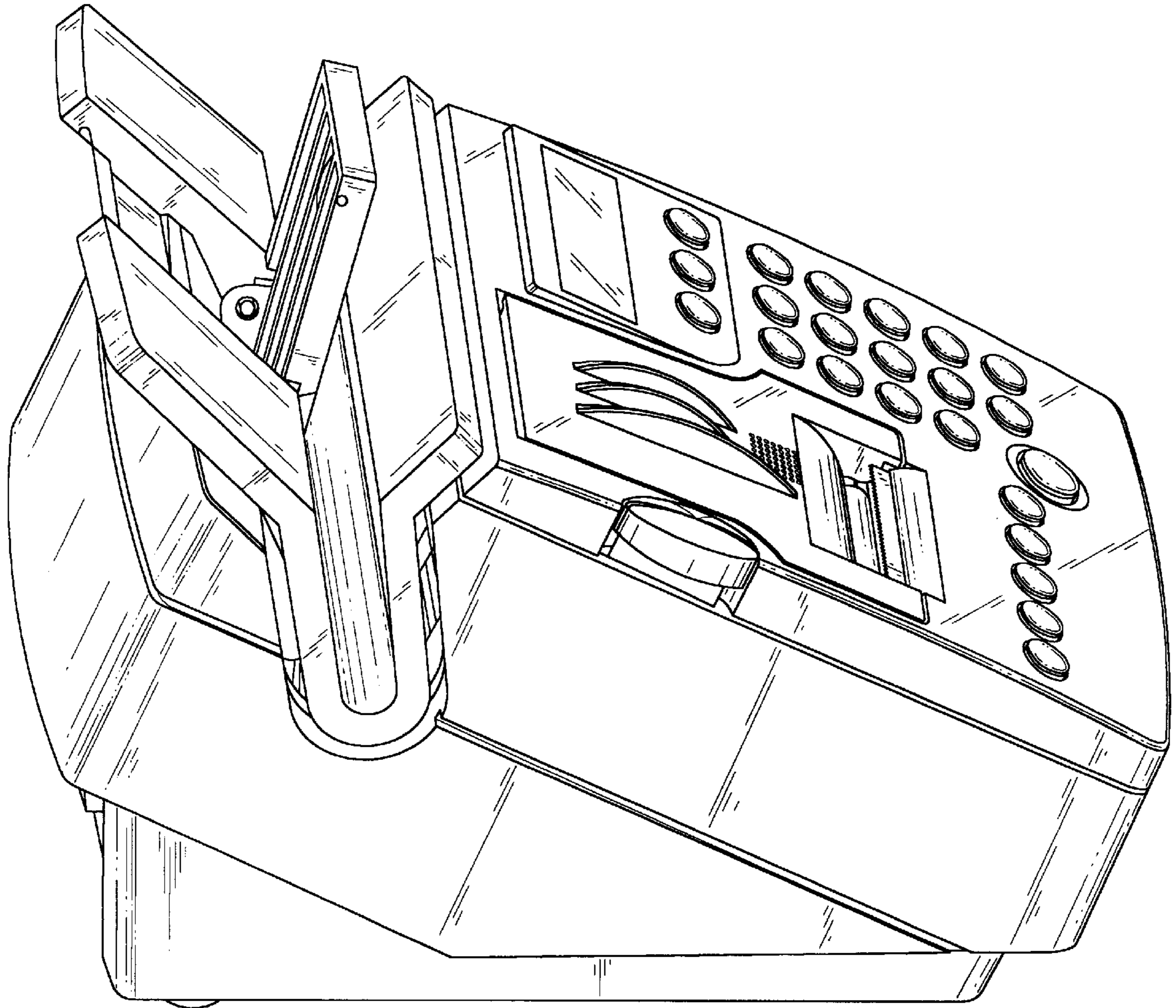


FIG. 11

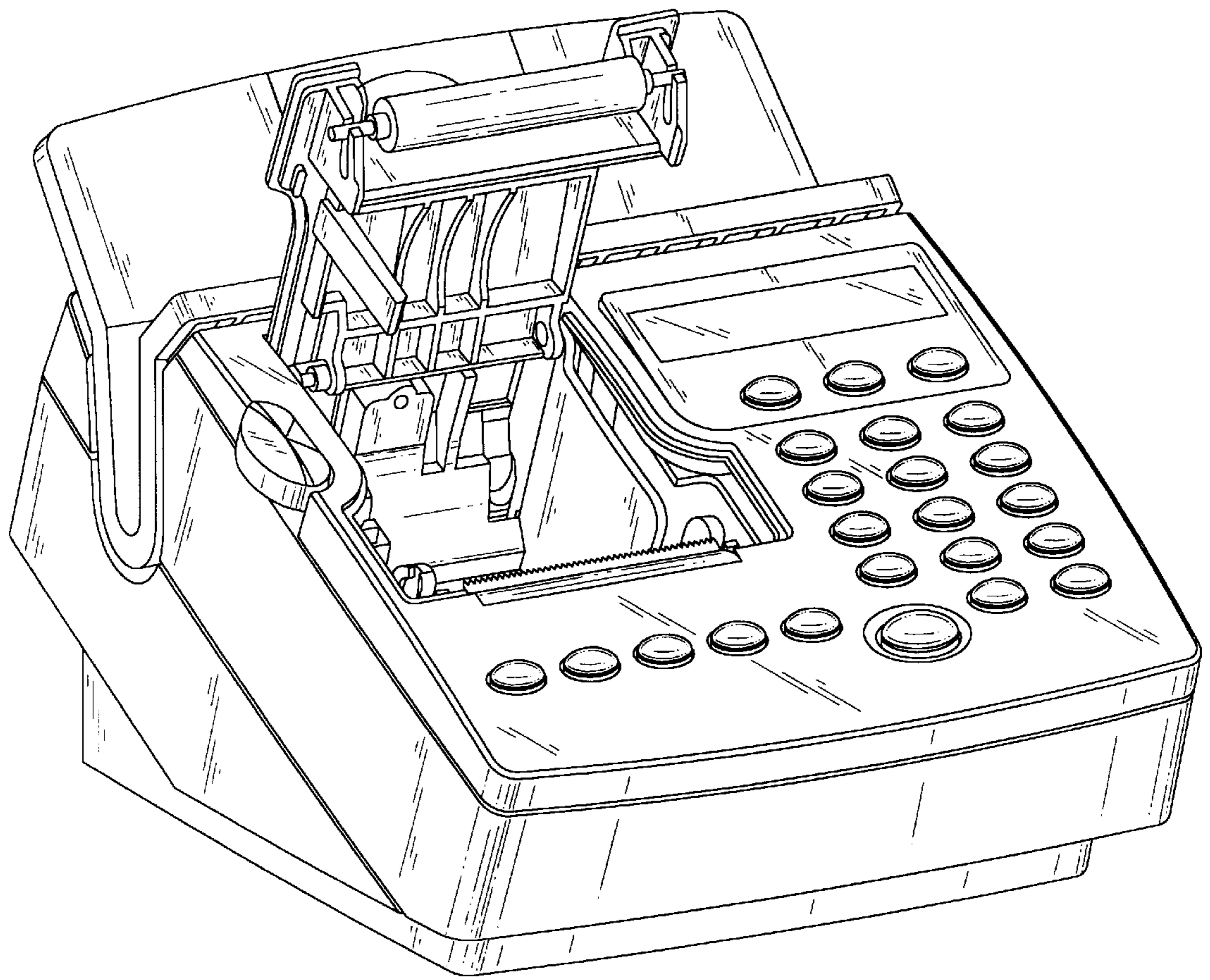


FIG. 12