



US00D452265B1

(12) **United States Design Patent**  
**Victor**

(10) **Patent No.:** **US D452,265 S**

(45) **Date of Patent:** **\*\* Dec. 18, 2001**

(54) **TONER CARTRIDGE**

(75) **Inventor:** **David Victor, Mitchell, SD (US)**

(73) **Assignee:** **Toshiba Tec Kabushiki Kaisha, Tokyo (JP)**

(\*\*) **Term:** **14 Years**

(21) **Appl. No.:** **29/128,834**

(22) **Filed:** **Aug. 30, 2000**

(51) **LOC (7) Cl.** ..... **16-03**

(52) **U.S. Cl.** ..... **D18/43**

(58) **Field of Search** ..... **D18/40, 43, 56;**  
**322/DIG. 1; 399/24, 27, 252, 262**

(56) **References Cited**

**U.S. PATENT DOCUMENTS**

D. 394,083 \* 5/1998 Jyoroku ..... D18/43

D. 430,196 \* 8/2000 Ashikari et al. .... D18/43  
D. 438,892 \* 3/2001 Suzuki et al. .... D18/40

\* cited by examiner

*Primary Examiner*—Caron D. Veynar

(74) *Attorney, Agent, or Firm*—Arter & Hadden LLP

(57) **CLAIM**

The ornamental design for a toner cartridge, as shown.

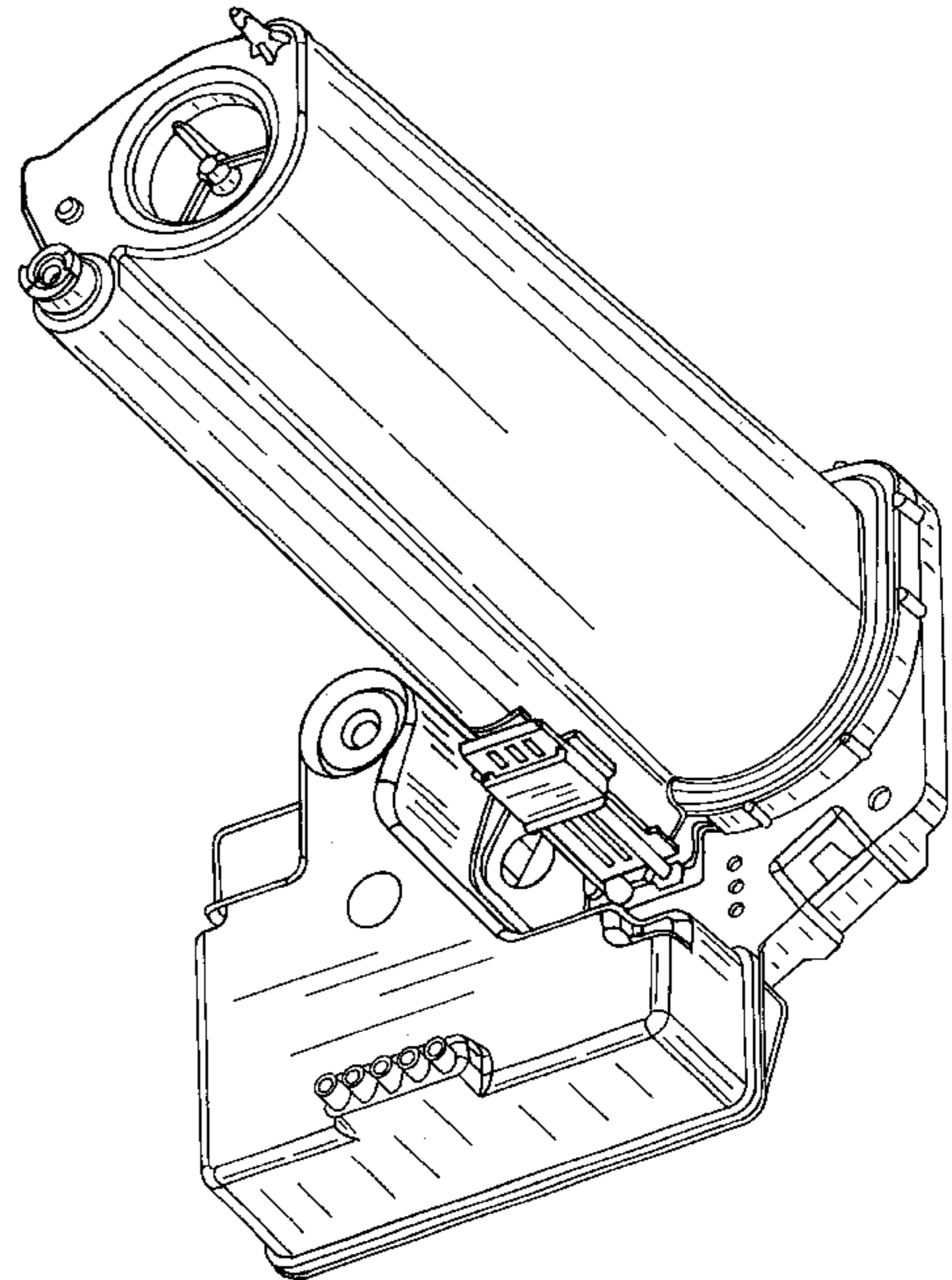
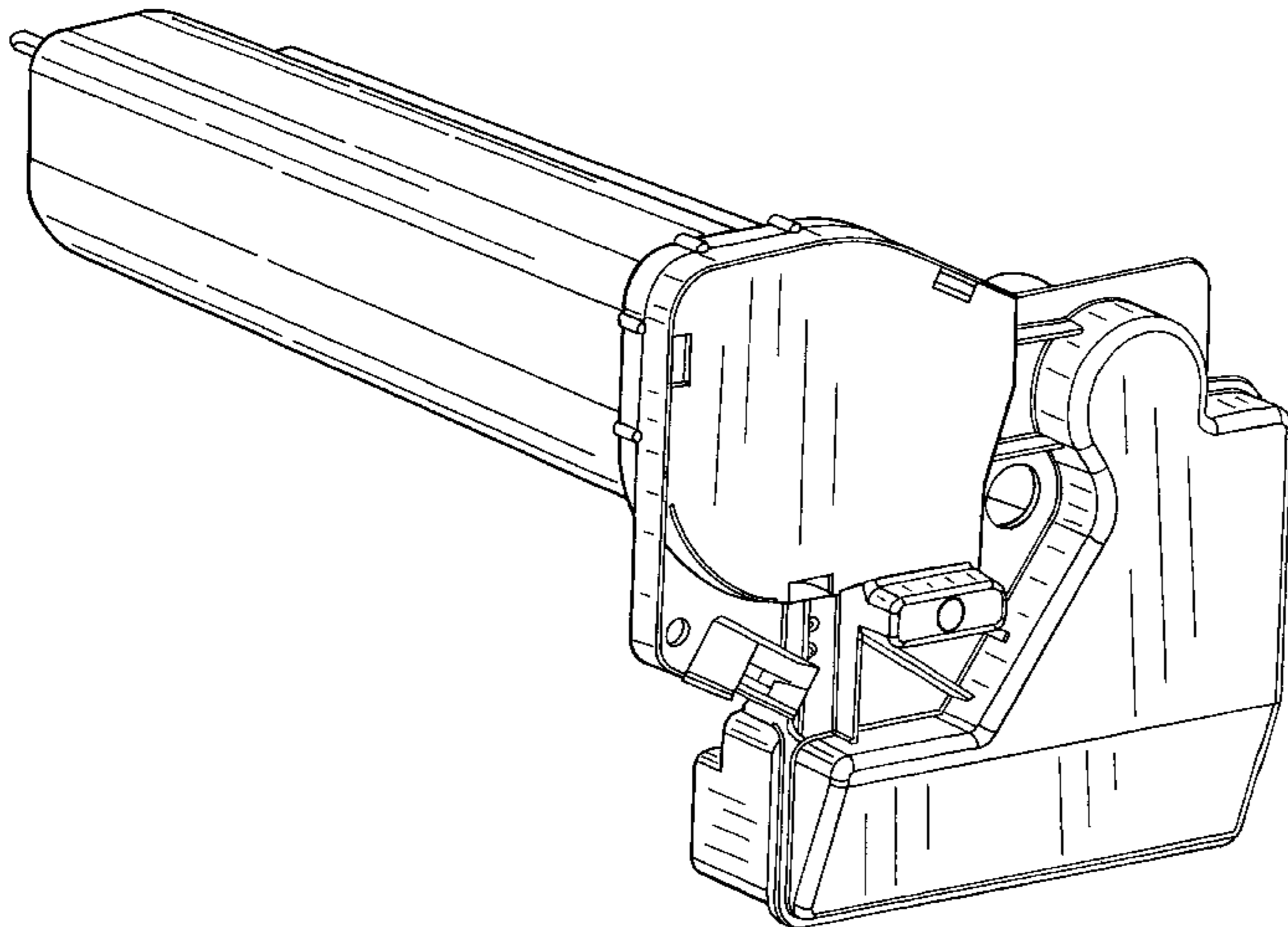
**DESCRIPTION**

FIG. 1 is a plan view of a toner cartridge showing my new design;

FIG. 2 is a left side perspective view thereof; and,

FIG. 3 is a right side perspective view thereof.

**1 Claim, 3 Drawing Sheets**



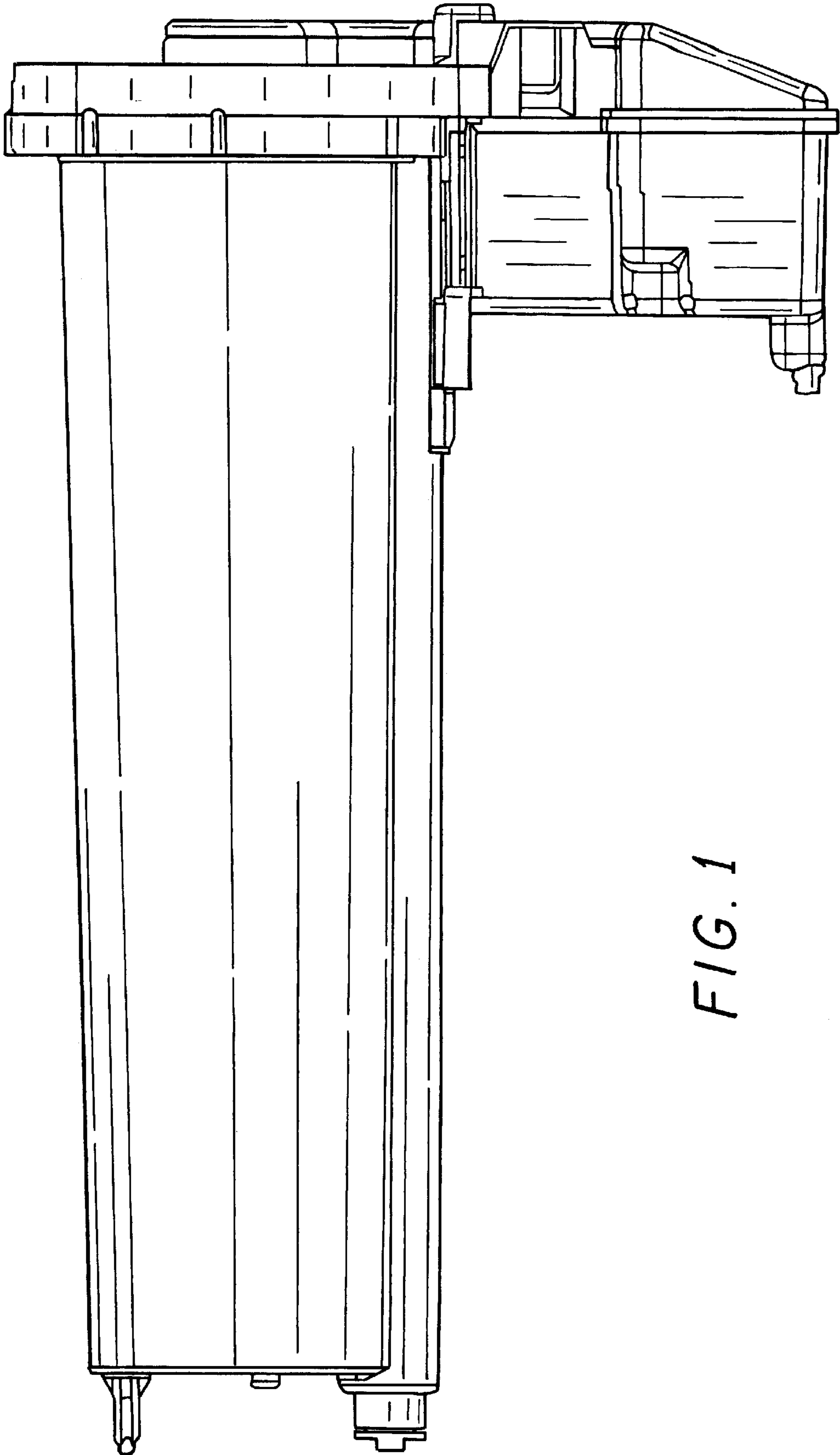


FIG. 1

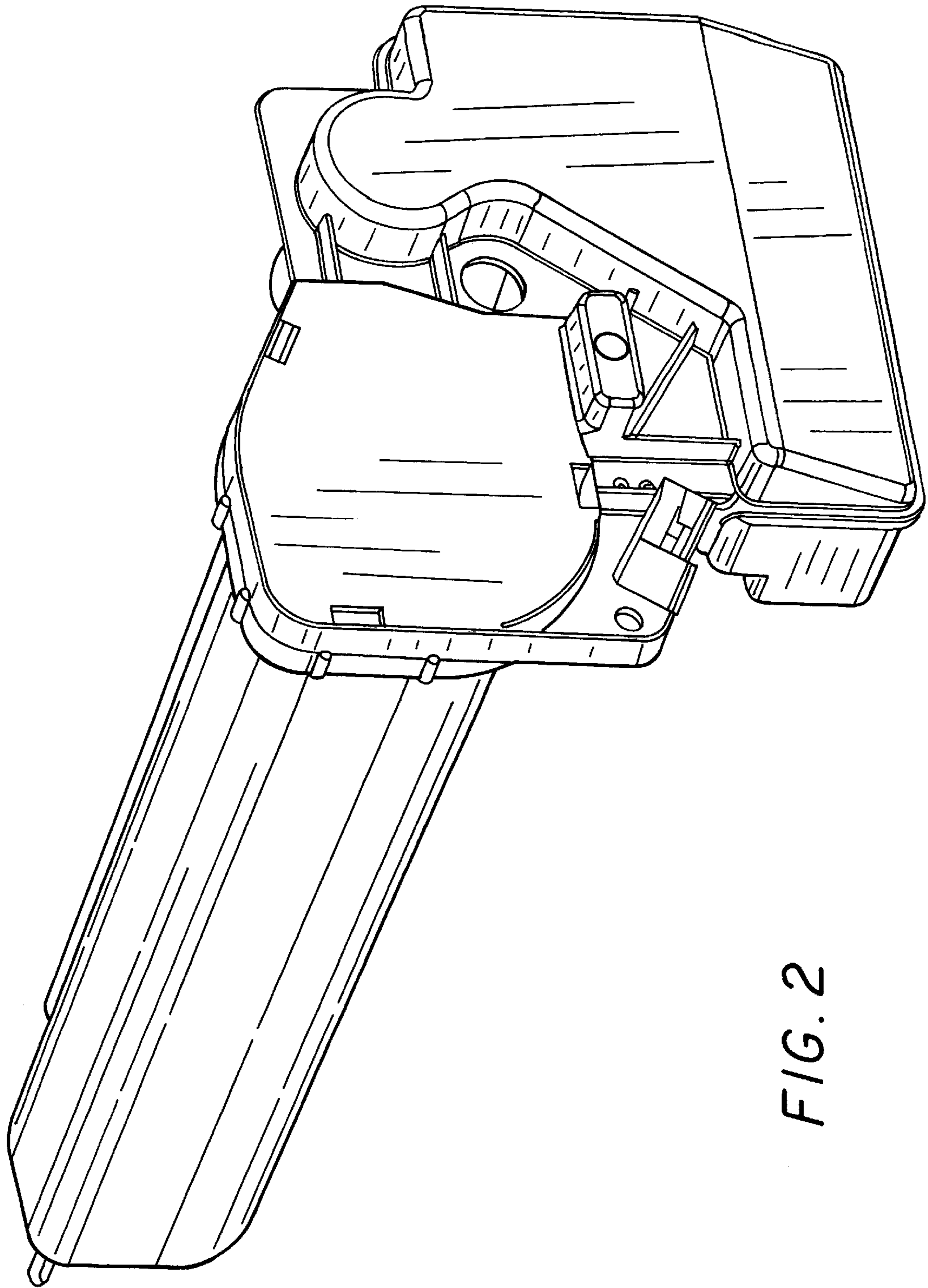


FIG. 2

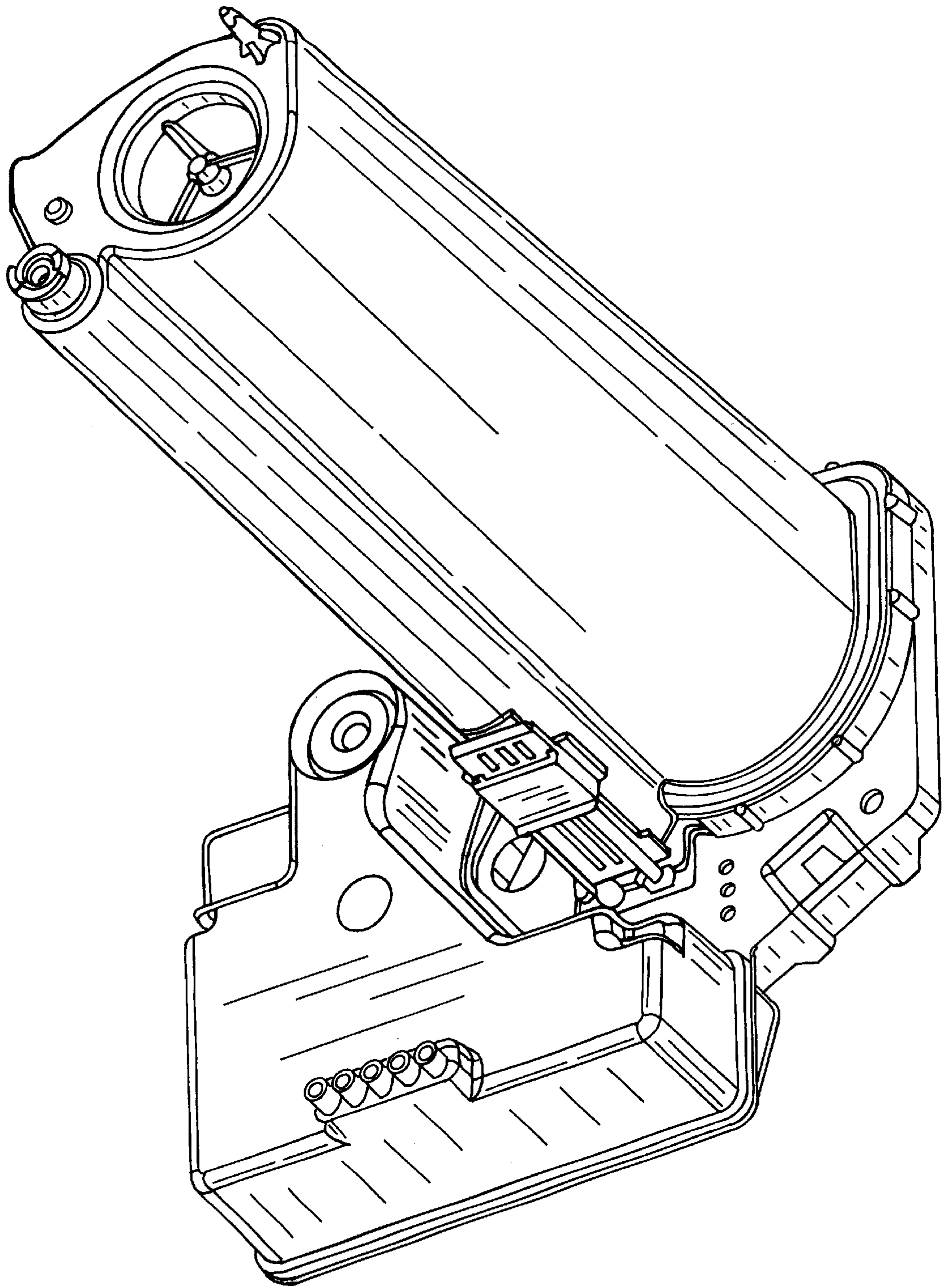


FIG. 3