



US00D452264B1

(12) **United States Design Patent**
Sato et al.

(10) **Patent No.:** **US D452,264 S**

(45) **Date of Patent:** **** Dec. 18, 2001**

(54) **TONER CARTRIDGE**

(75) Inventors: **Akira Sato; Tadao Kamano**, both of Tagata-gun; **Hisashi Kimura**, Kawasaki, all of (JP)

(73) Assignee: **Toshiba Tec Kabushiki Kaisha**, Tokyo (JP)

(**) Term: **14 Years**

(21) Appl. No.: **29/128,798**

(22) Filed: **Aug. 30, 2000**

(51) **LOC (7) Cl.** **16-03**

(52) **U.S. Cl.** **D18/43**

(58) **Field of Search** D18/40, 43, 56;
399/24-27, 31, 119-123, 130, 134, 262;
222/DIG. 1

(56) **References Cited**

U.S. PATENT DOCUMENTS

D. 430,196 * 8/2000 Ashikari et al. D18/43

* cited by examiner

Primary Examiner—Caron D. Veynar

(74) *Attorney, Agent, or Firm*—Arter & Hadden LLP

(57) **CLAIM**

The ornamental design for a toner cartridge, as shown.

DESCRIPTION

FIG. 1 is a plan view of a toner cartridge showing our new design;

FIG. 2 is a left side elevational view thereof;

FIG. 3 is a front elevational view thereof;

FIG. 4 is a right side elevational view thereof;

FIG. 5 is a rear elevational view thereof;

FIG. 6 is an underneath view thereof;

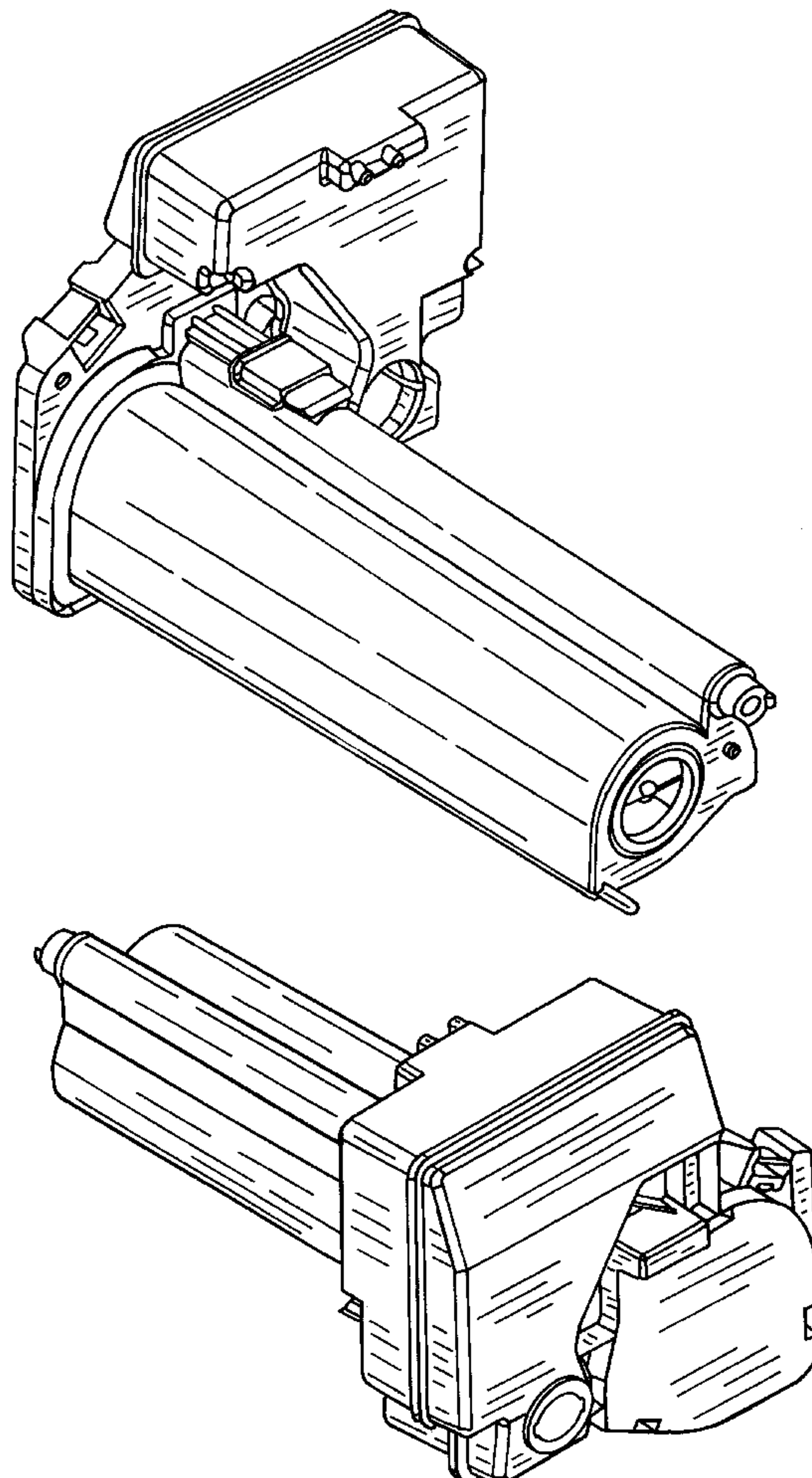
FIG. 7 is a top and left side perspective view thereof;

FIG. 8 is a bottom and right side perspective view thereof;

FIG. 9 is a top and right side perspective view thereof; and,

FIG. 10 is a bottom and left side perspective view thereof.

1 Claim, 4 Drawing Sheets



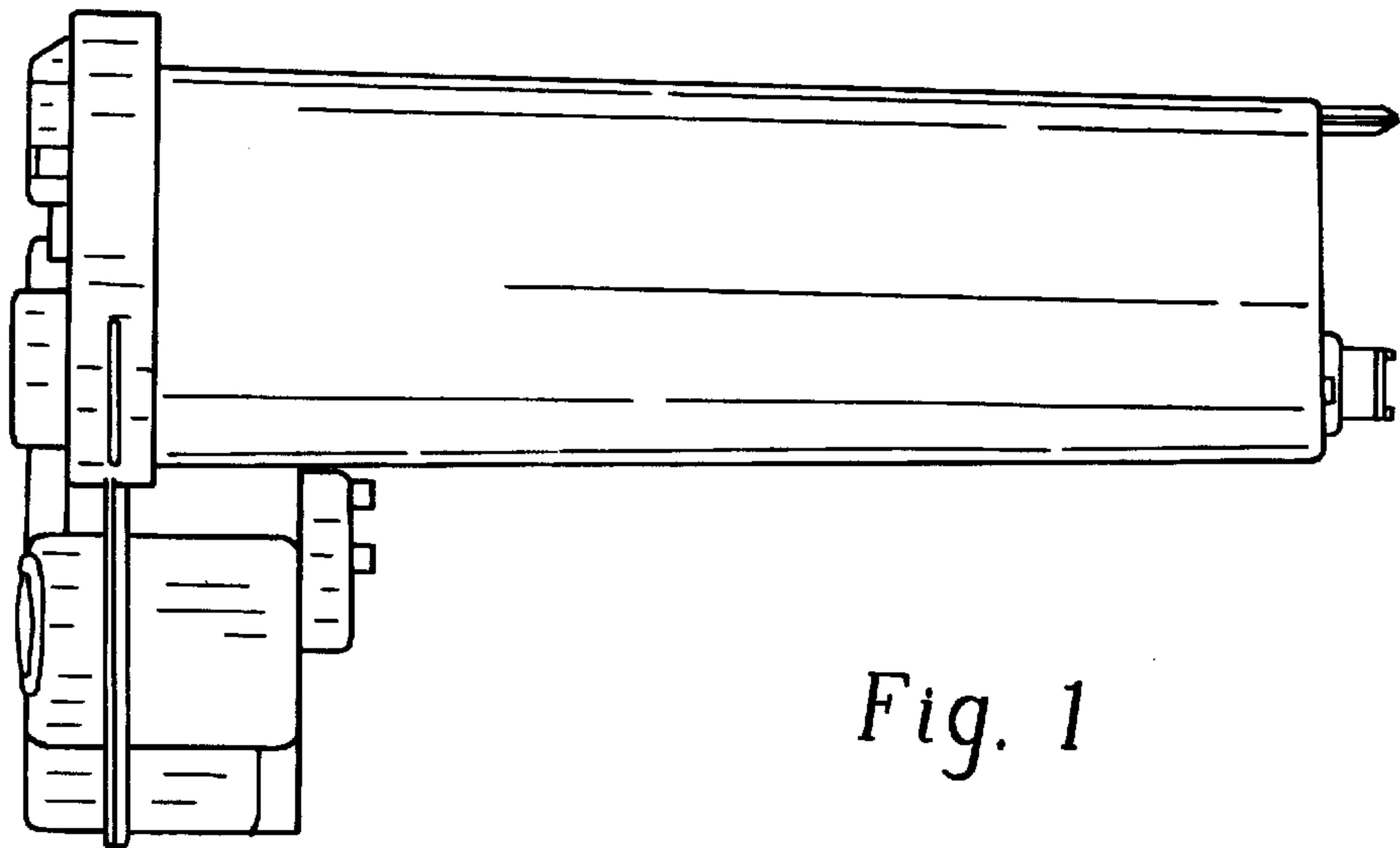


Fig. 1

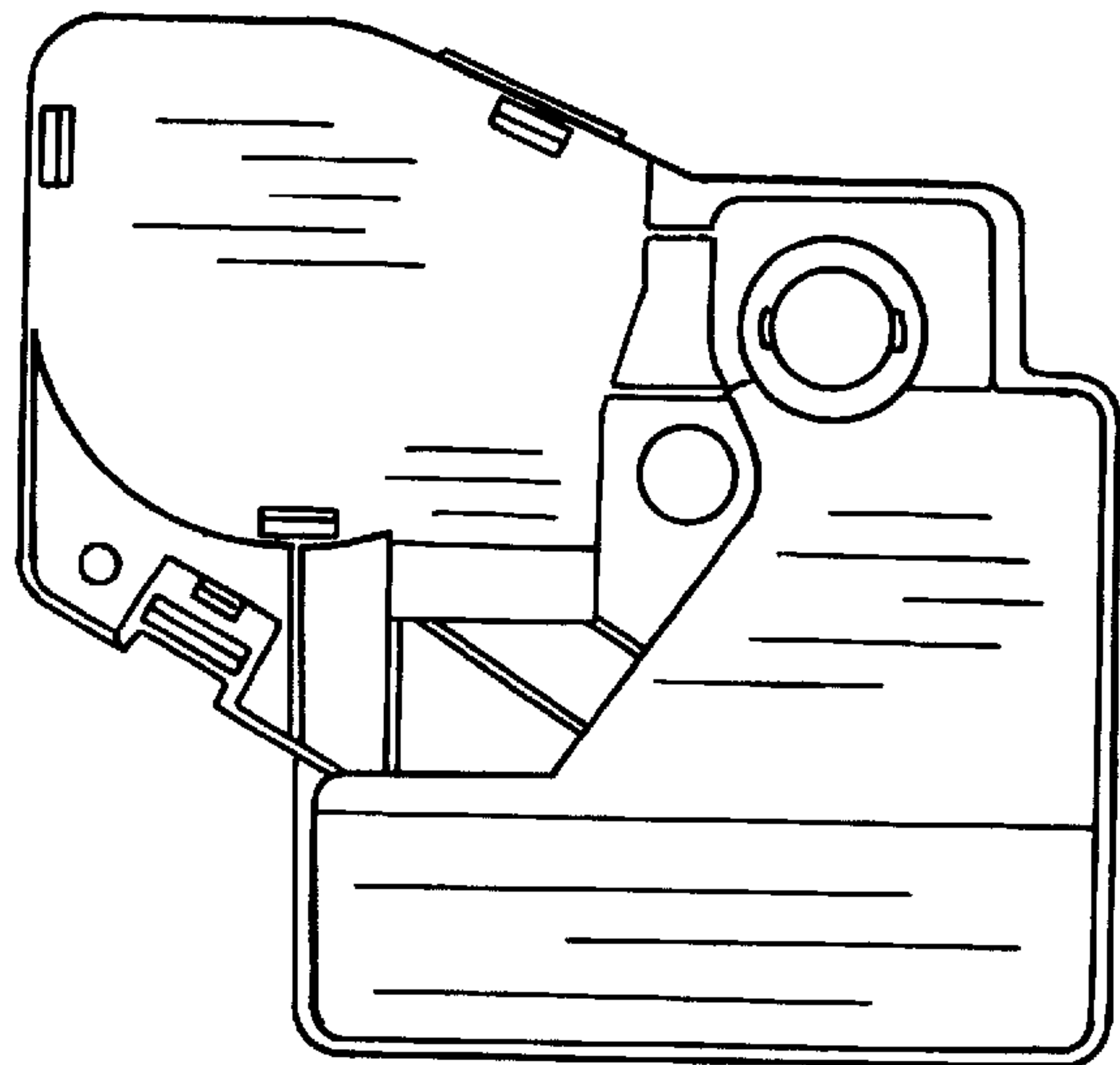


Fig. 2

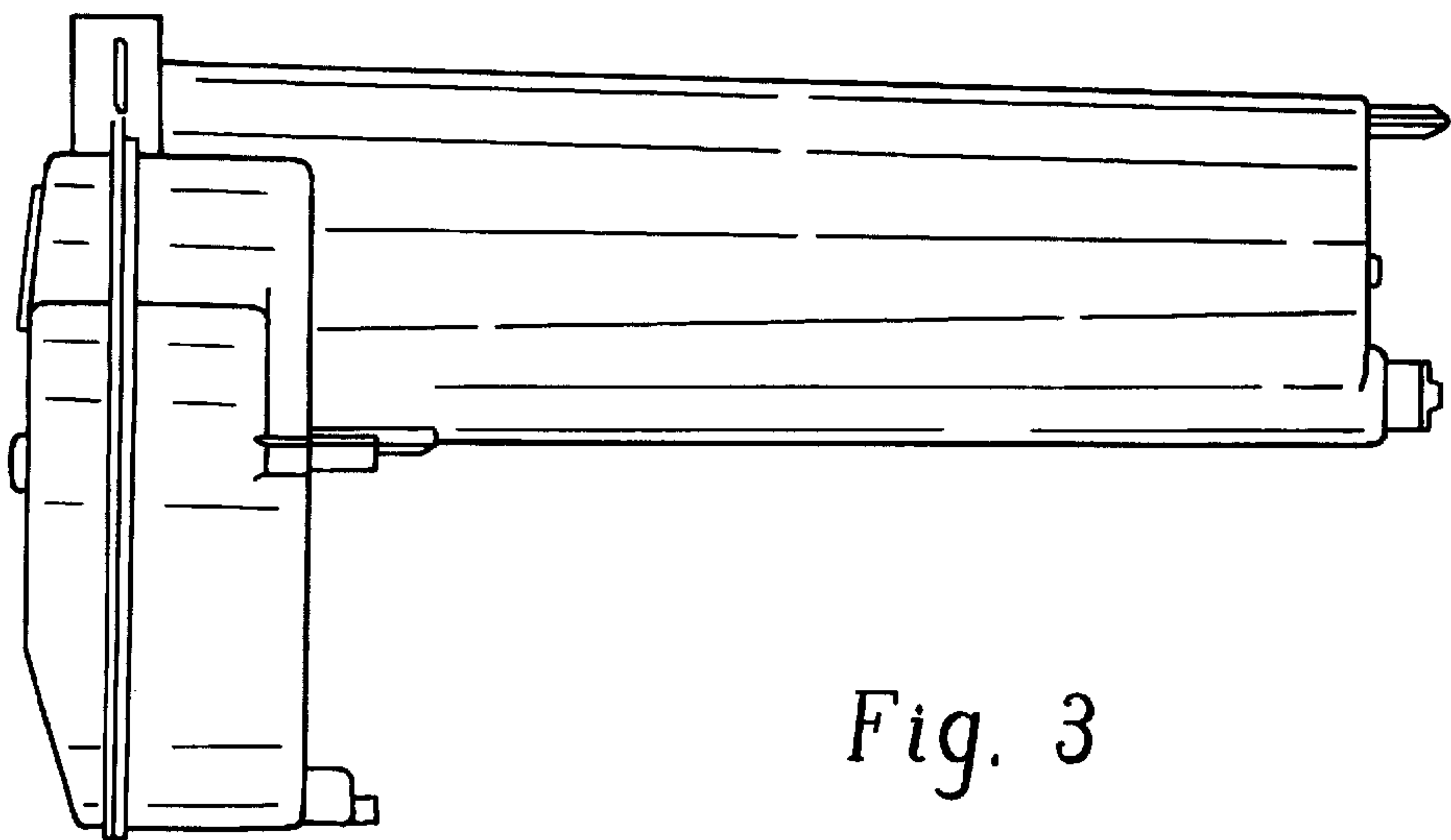


Fig. 3

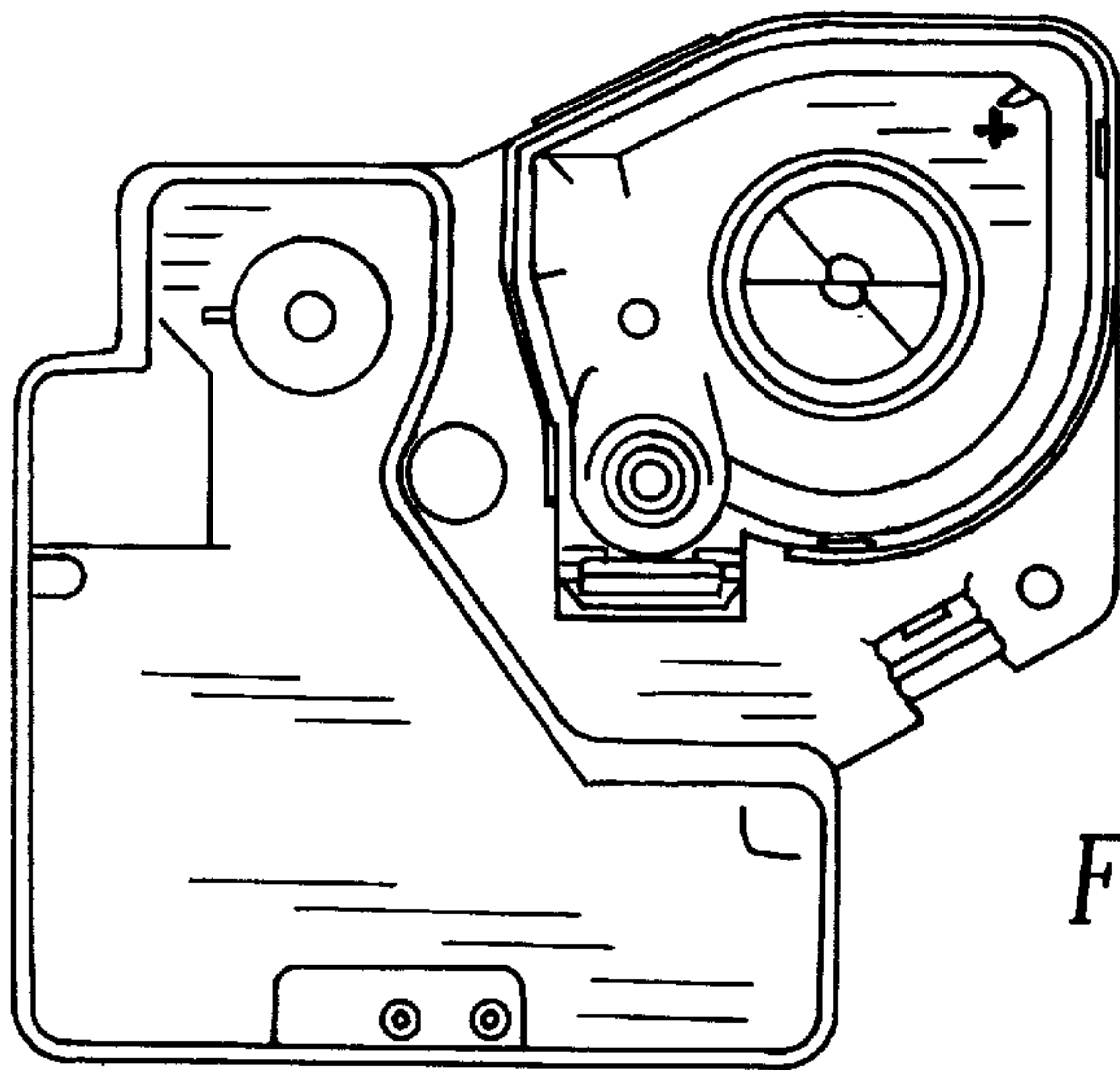


Fig. 4

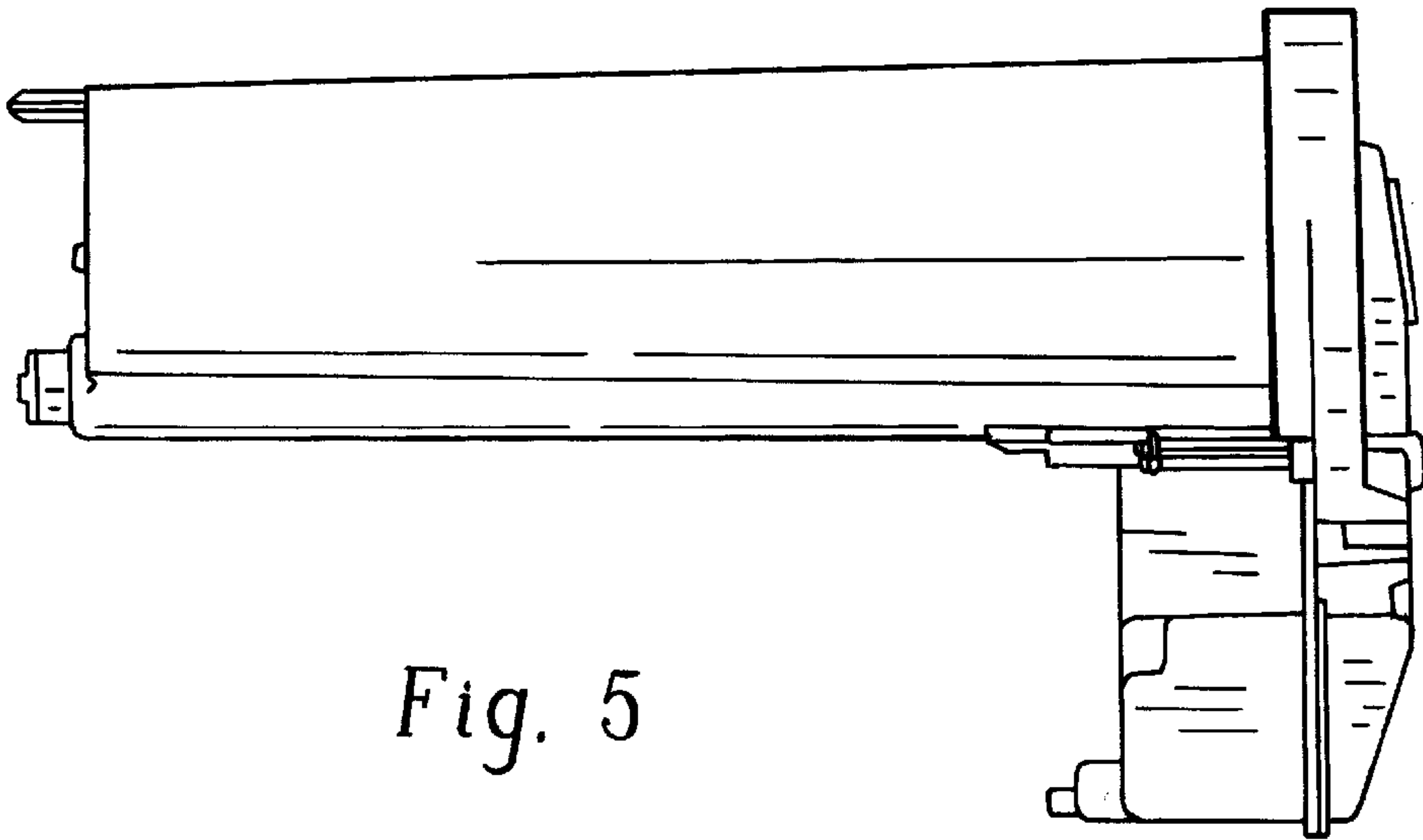


Fig. 5

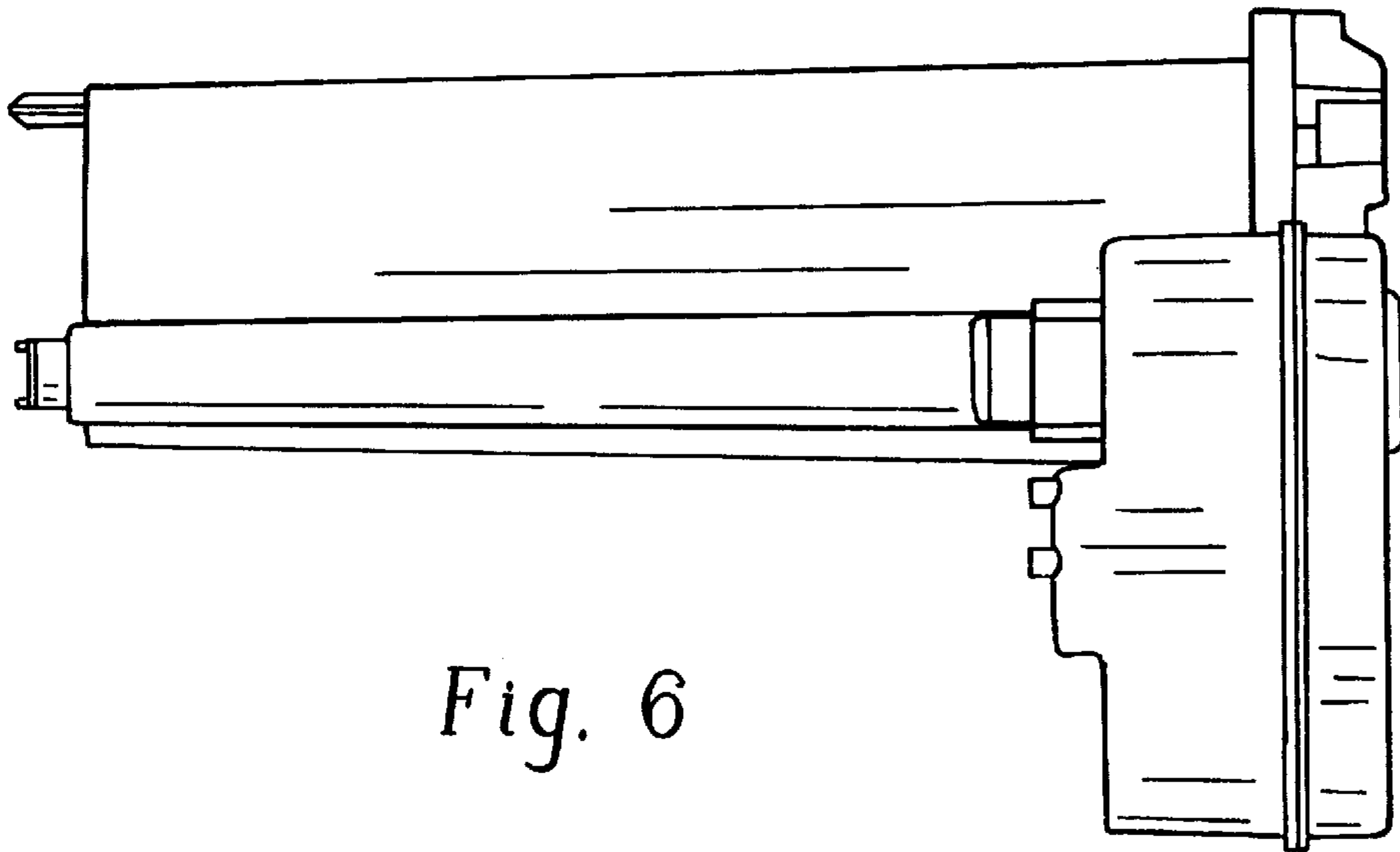


Fig. 6

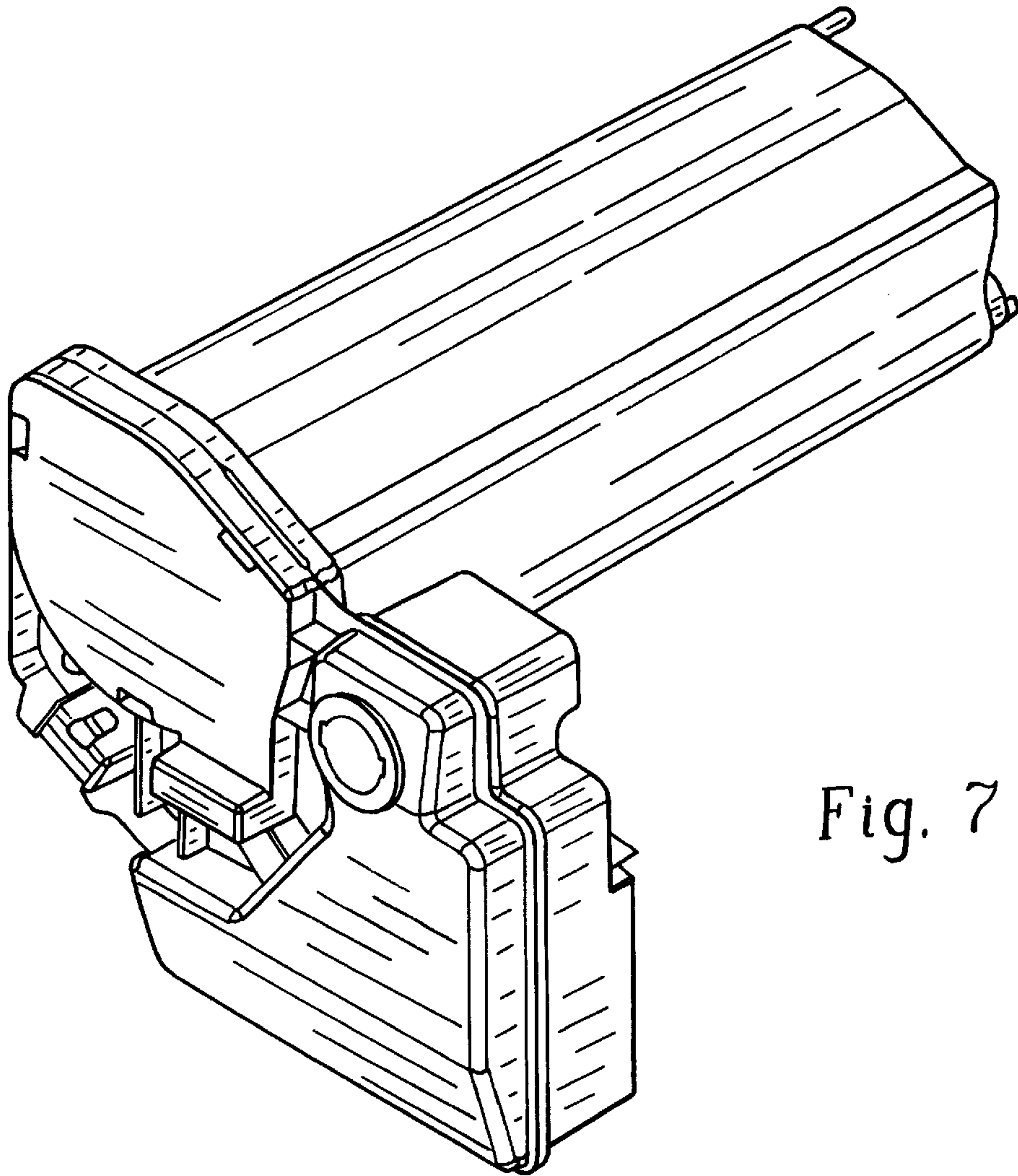
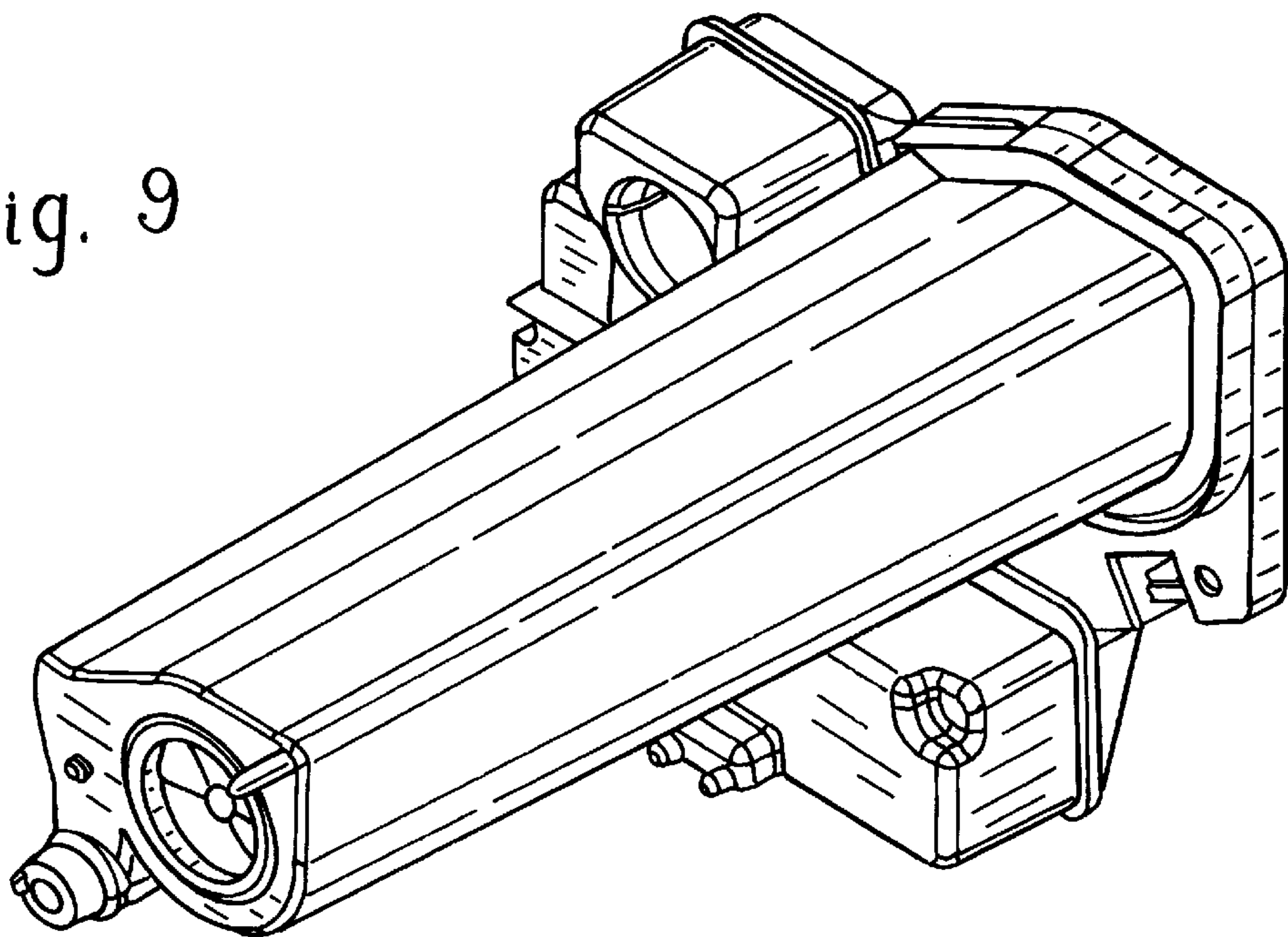


Fig. 7

Fig. 9



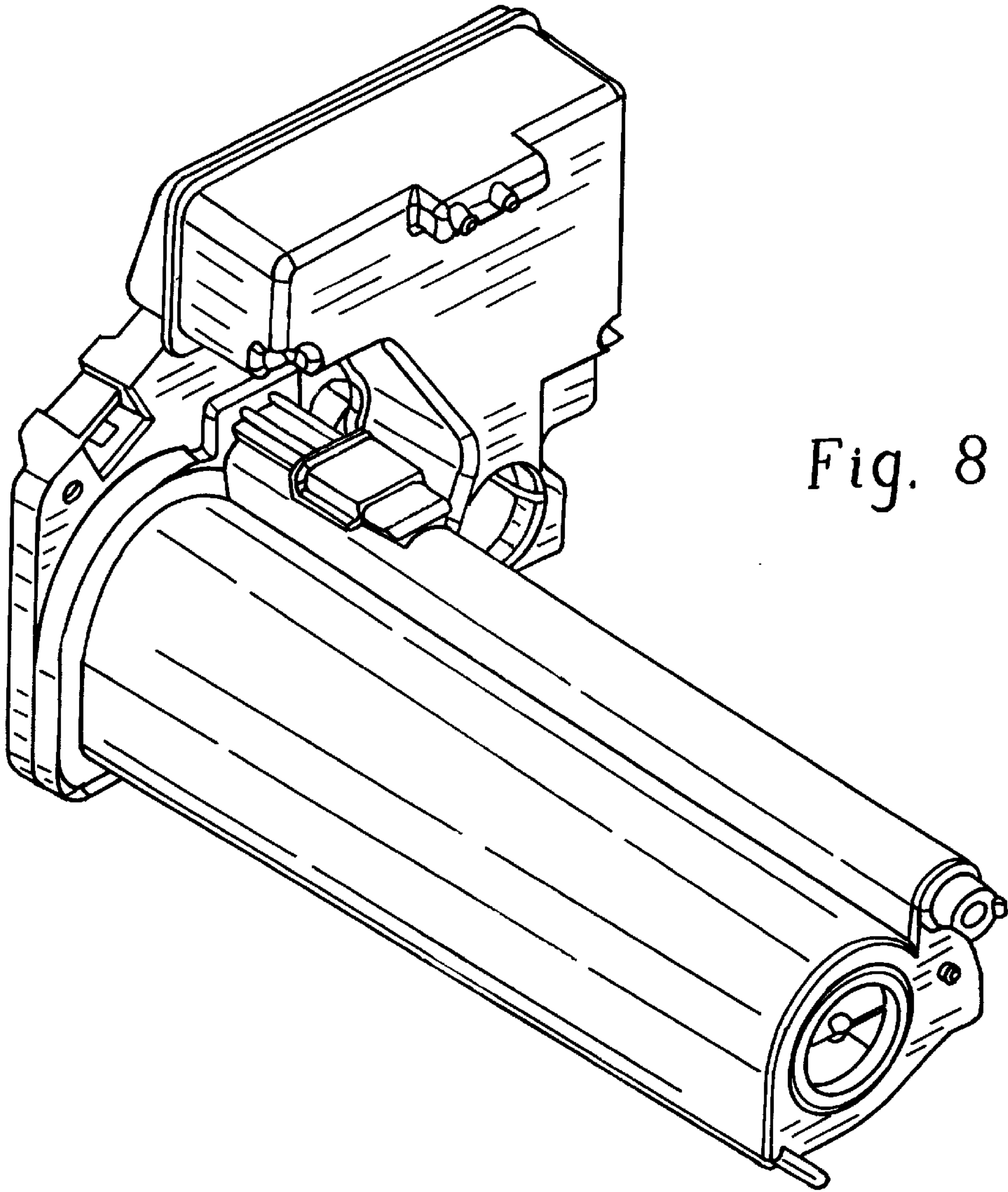


Fig. 8

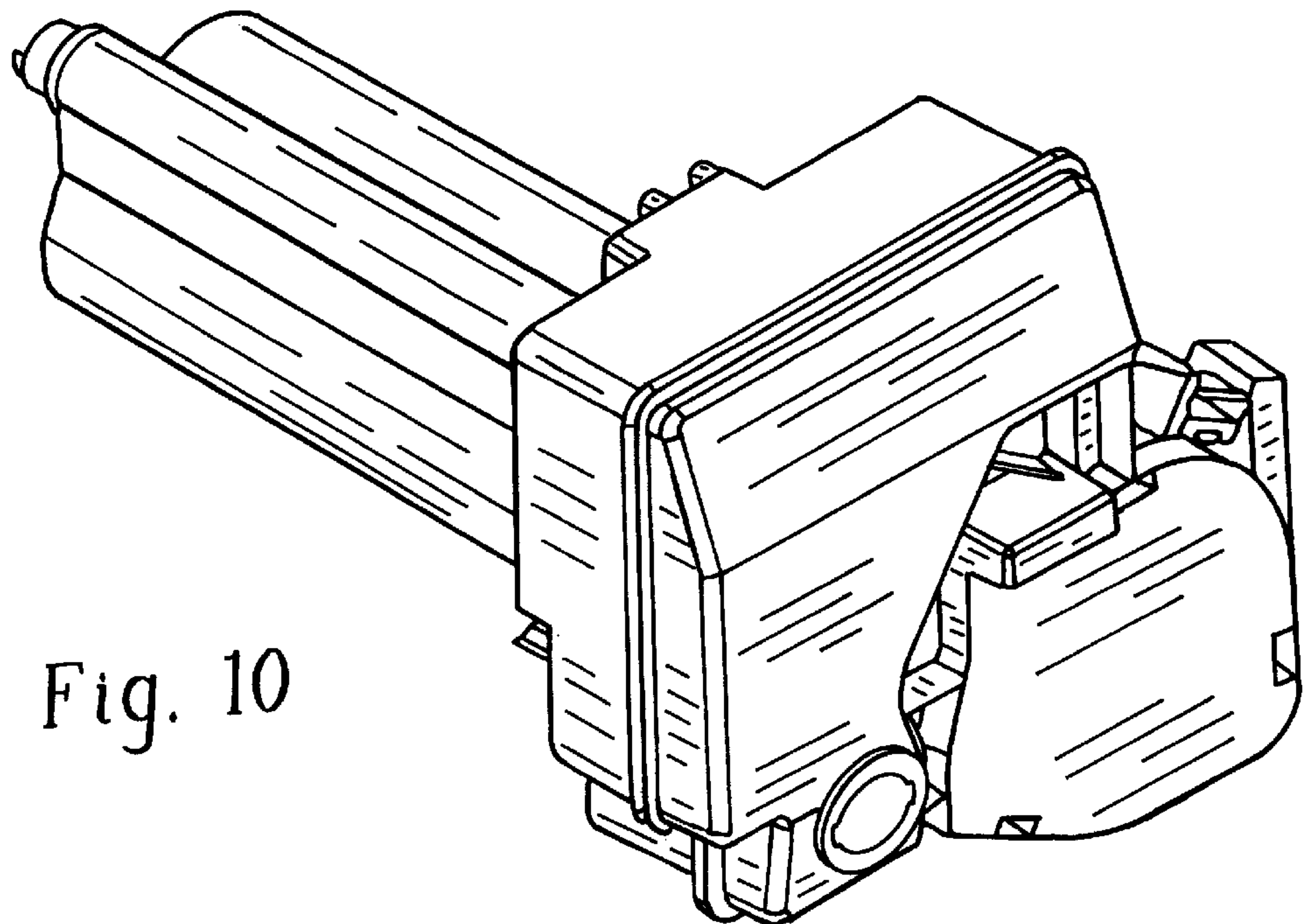


Fig. 10