



US00D452263B1

(12) **United States Design Patent**
Ono et al.

(10) **Patent No.:** **US D452,263 S**

(45) **Date of Patent:** **** Dec. 18, 2001**

(54) **PHOTOSENSITIVE DRUM CARTRIDGE FOR AN ELECTRONIC COPYING MACHINE**

D. 424,608 * 5/2000 Yorifuji et al. D18/40

* cited by examiner

(75) Inventors: **Noriki Ono**, Higashiyamoto; **Moriyuki Kouroku**, Higashimurayama; **Kouichi Kamei**, Hino, all of (JP)

Primary Examiner—Caron D. Veynar
(74) *Attorney, Agent, or Firm*—Frishauf, Holtz, Goodman, Langer & Chick, P.C.

(73) Assignees: **Casio Computer Co., Ltd.**; **Casio Electronics Manufacturing Co., Ltd.**, both of Tokyo (JP)

(57) **CLAIM**

The ornamental design for a photosensitive drum cartridge for an electronic copying machine, as shown and described.

(**) Term: **14 Years**

DESCRIPTION

(21) Appl. No.: **29/132,768**

FIG. 1 is a front, top and right side perspective view of a photosensitive drum cartridge for an electronic copying machine, showing our new design;

(22) Filed: **Nov. 15, 2000**

(51) **LOC (7) Cl.** **16-03**

FIG. 2 is a front, top and right side perspective view thereof with a protective sleeve in place;

(52) **U.S. Cl.** **D18/40**

FIG. 3 is a front elevational view thereof;

(58) **Field of Search** D18/40, 43, 56;
399/24-31, 59, 71, 74, 103, 110-112, 114,
116, 117, 119, 222, 227, 256, 258, 259,
262, 299, 303, 358, 311, 320

FIG. 4 is a rear elevational view thereof;

FIG. 5 is a top plan view thereof;

FIG. 6 is a bottom plan view thereof;

FIG. 7 is a right side elevational view thereof; and,

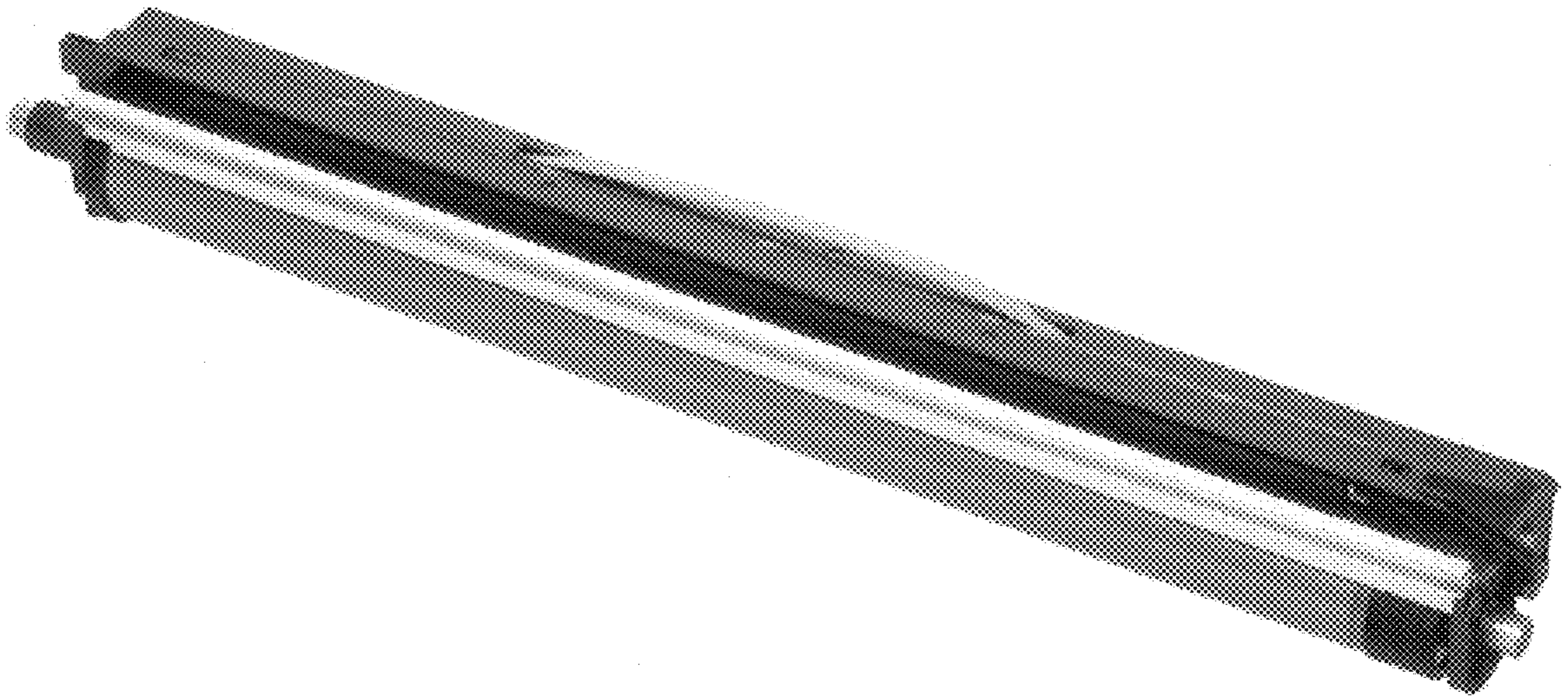
FIG. 8 is a left side elevational view thereof.

(56) **References Cited**

U.S. PATENT DOCUMENTS

D. 351,411 * 10/1994 Inoue et al. D18/40

1 Claim, 2 Drawing Sheets



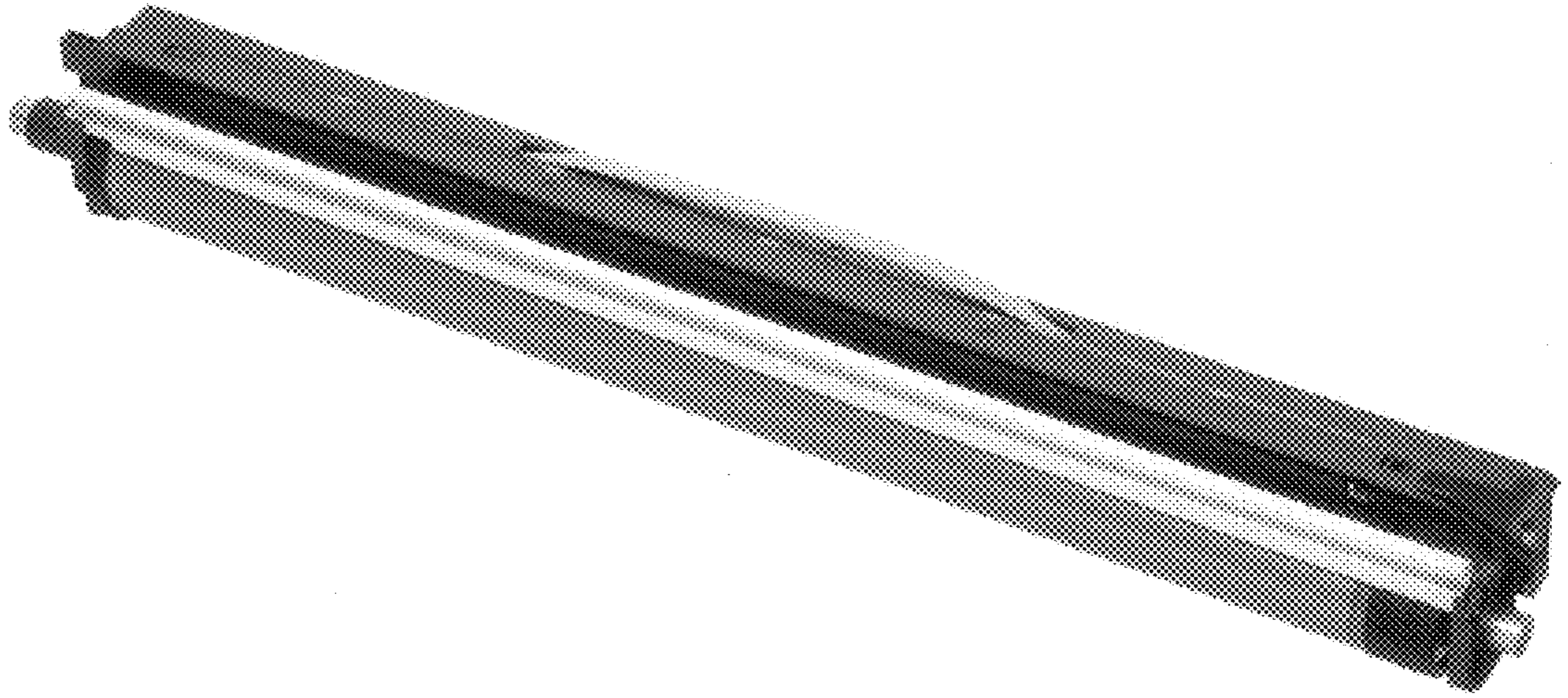


FIG. 1

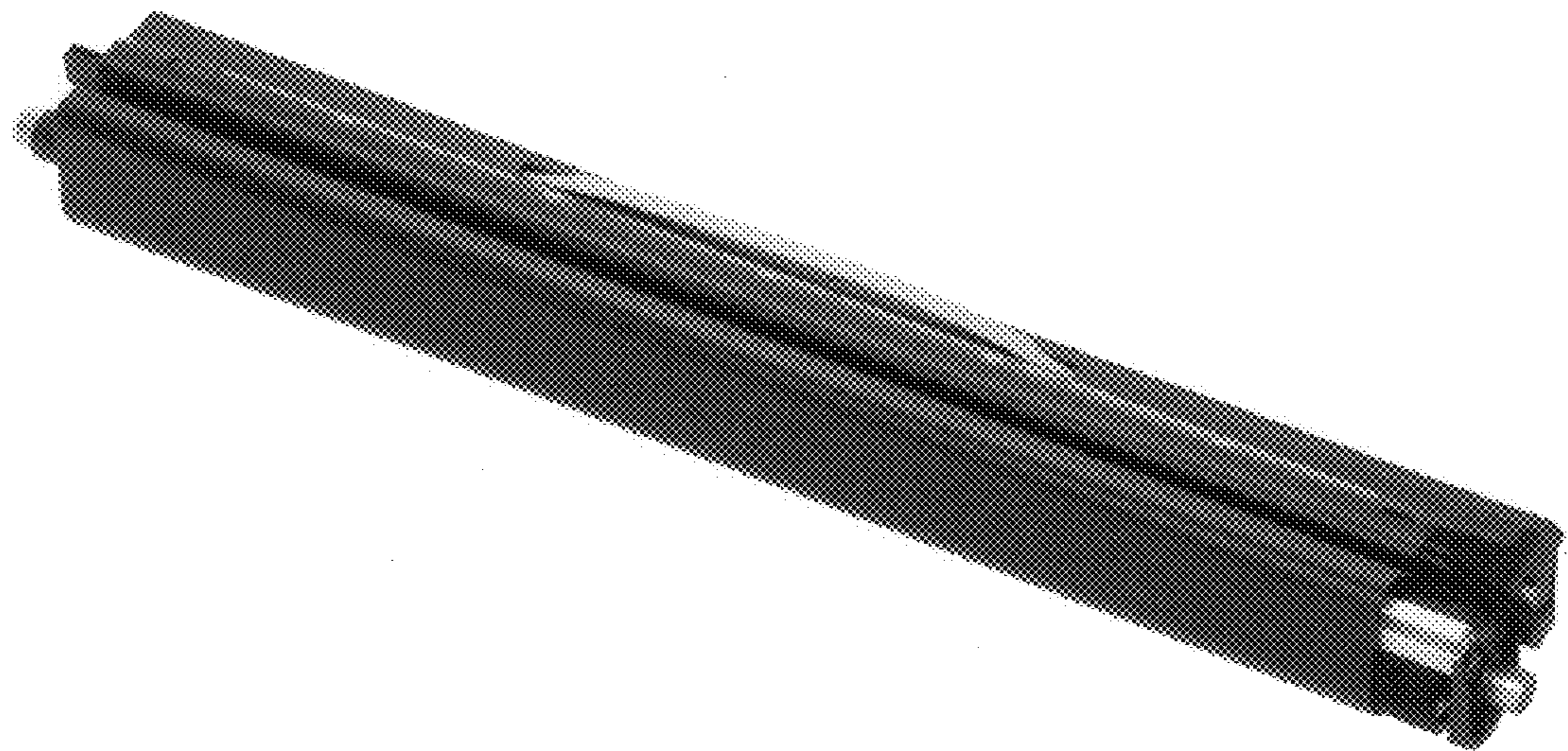


FIG. 2



FIG. 3



FIG. 4

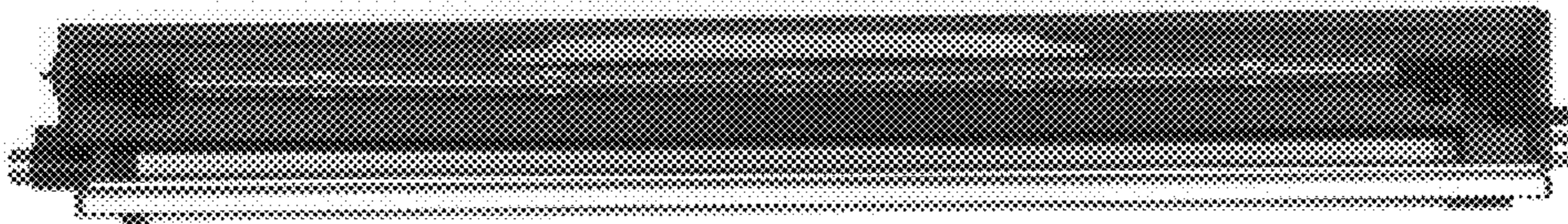


FIG. 5

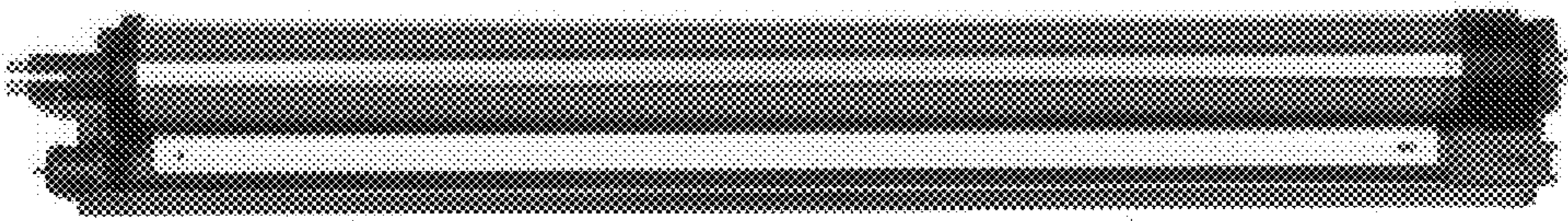


FIG. 6

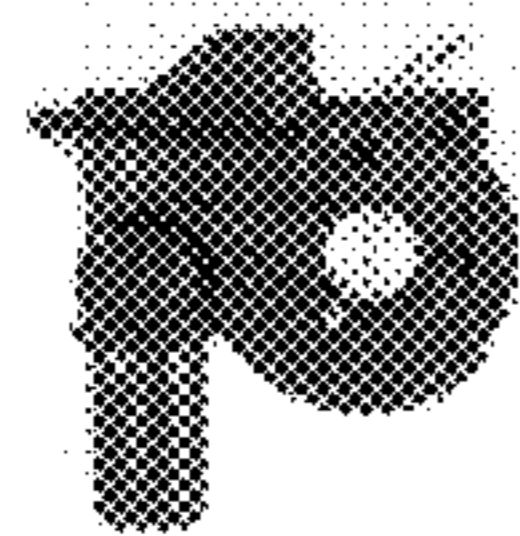


FIG. 7



FIG. 8