



US00D452262B1

(12) **United States Design Patent**
MacNeil et al.

(10) **Patent No.:** **US D452,262 S**

(45) **Date of Patent:** **** Dec. 18, 2001**

(54) **HAND STAMP**

(75) Inventors: **Anthony D. MacNeil**, Piscataway;
Steven J. Sculler, Morganville, both of
NJ (US)

(73) Assignee: **M&R Marking Systems, Inc.**,
Piscataway, NJ (US)

(**) Term: **14 Years**

(21) Appl. No.: **29/142,779**

(22) Filed: **Jun. 1, 2001**

Related U.S. Application Data

(63) Continuation-in-part of application No. 29/120,703, filed on
Mar. 24, 2000.

(51) **LOC (7) Cl.** **19-02**

(52) **U.S. Cl.** **D18/15**

(58) **Field of Search** D18/14-18; 101/327,
101/333, 334, 368, 371, 379, 405

(56) **References Cited**

U.S. PATENT DOCUMENTS

D. 352,521	11/1994	Sculler et al.	D18/15
D. 353,394	12/1994	Stefanski et al.	D18/15
D. 359,504	6/1995	Stefanski et al.	D18/18
D. 367,290	2/1996	Sculler et al.	D18/15
D. 367,292	2/1996	Franks et al.	D18/18
D. 368,926	4/1996	Petralia	D18/18
D. 387,799	12/1997	Daw et al.	D18/15
D. 412,181	* 7/1999	Harden	D18/14
D. 413,619	9/1999	Franks et al.	D18/15
D. 425,546	* 5/2000	Lee	D18/15

D. 426,569	6/2000	Franks et al.	D18/15
5,517,916	5/1996	Dour et al.	101/334
5,623,875	* 4/1997	Perets	101/334
5,768,992	6/1998	Daw et al.	101/334
5,855,170	* 1/1999	Shih	101/327
6,058,840	* 5/2000	Poplawski et al.	101/405

OTHER PUBLICATIONS

Miller's Office Products Catalog (c) 1994; p. 887; item
"A"—Cosco 2000PLUS stamp; top left of page.*

Miller's Office Products Catalog (c) 1998; p. 926; items "D"
and "E"—self-inking printers; top right.*

Guernsey Office Products' 2001 Catalog; p. 995; item "A".
top center of page.*

Millers' Office Products Catalog (c) 1997; p. 903; items "A"
thru "E"; self-inking printers.*

* cited by examiner

Primary Examiner—Alan P. Douglas

Assistant Examiner—Clare E. Heflin

(74) *Attorney, Agent, or Firm*—Lerner, David, Littenberg,
Krumholz & Mentlik, LLP

(57) **CLAIM**

The ornamental design for a hand stamp, as shown and
described.

DESCRIPTION

FIG. 1 is a perspective view of the subject hand stamp;
FIG. 2 is a front elevational thereof;
FIG. 3 is a rear elevational view thereof;
FIG. 4 is a left side view thereof;
FIG. 5 is a right side view thereof; and,
FIG. 6 is a top plan view thereof.

1 Claim, 4 Drawing Sheets

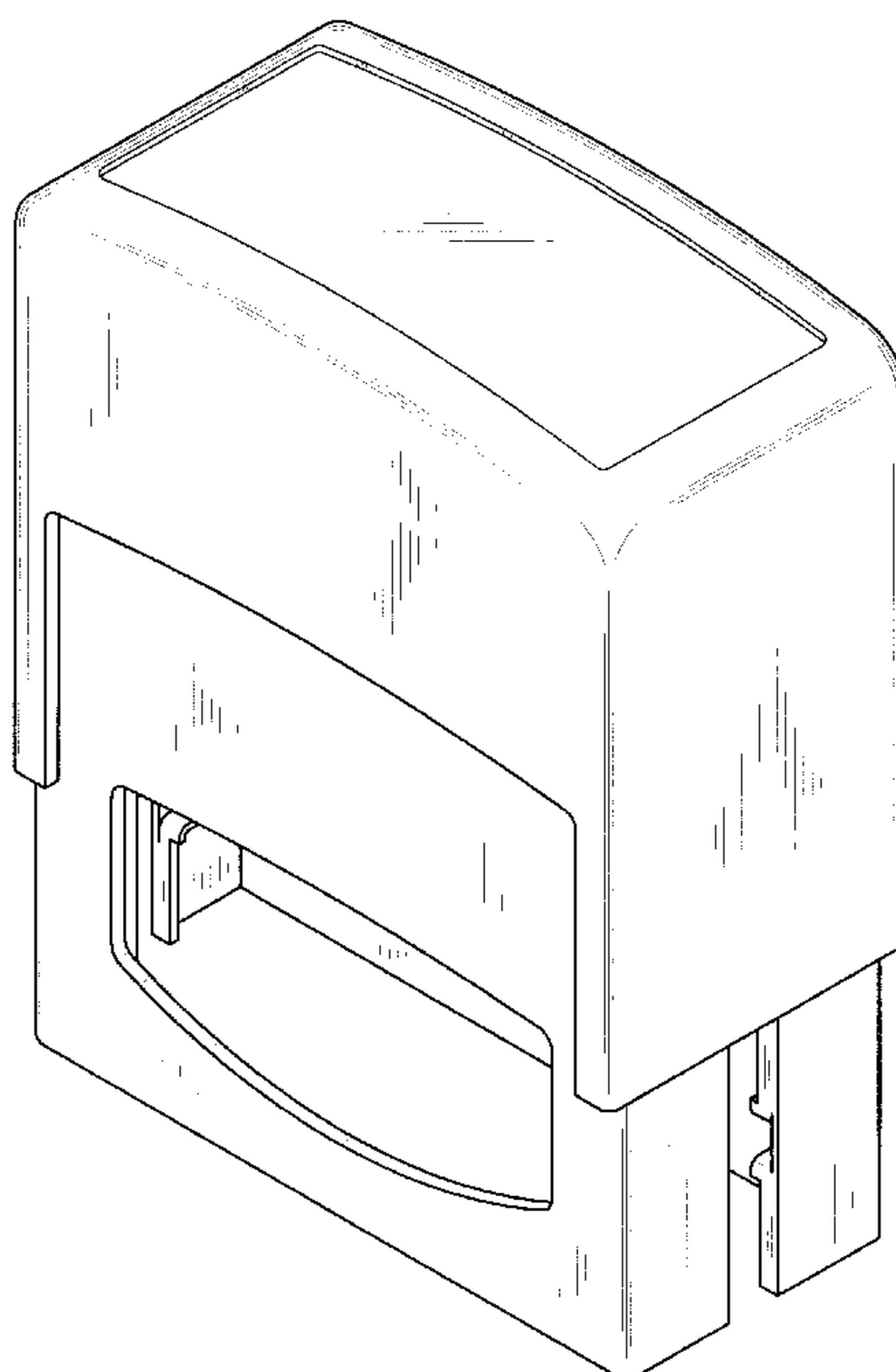


FIG. 1

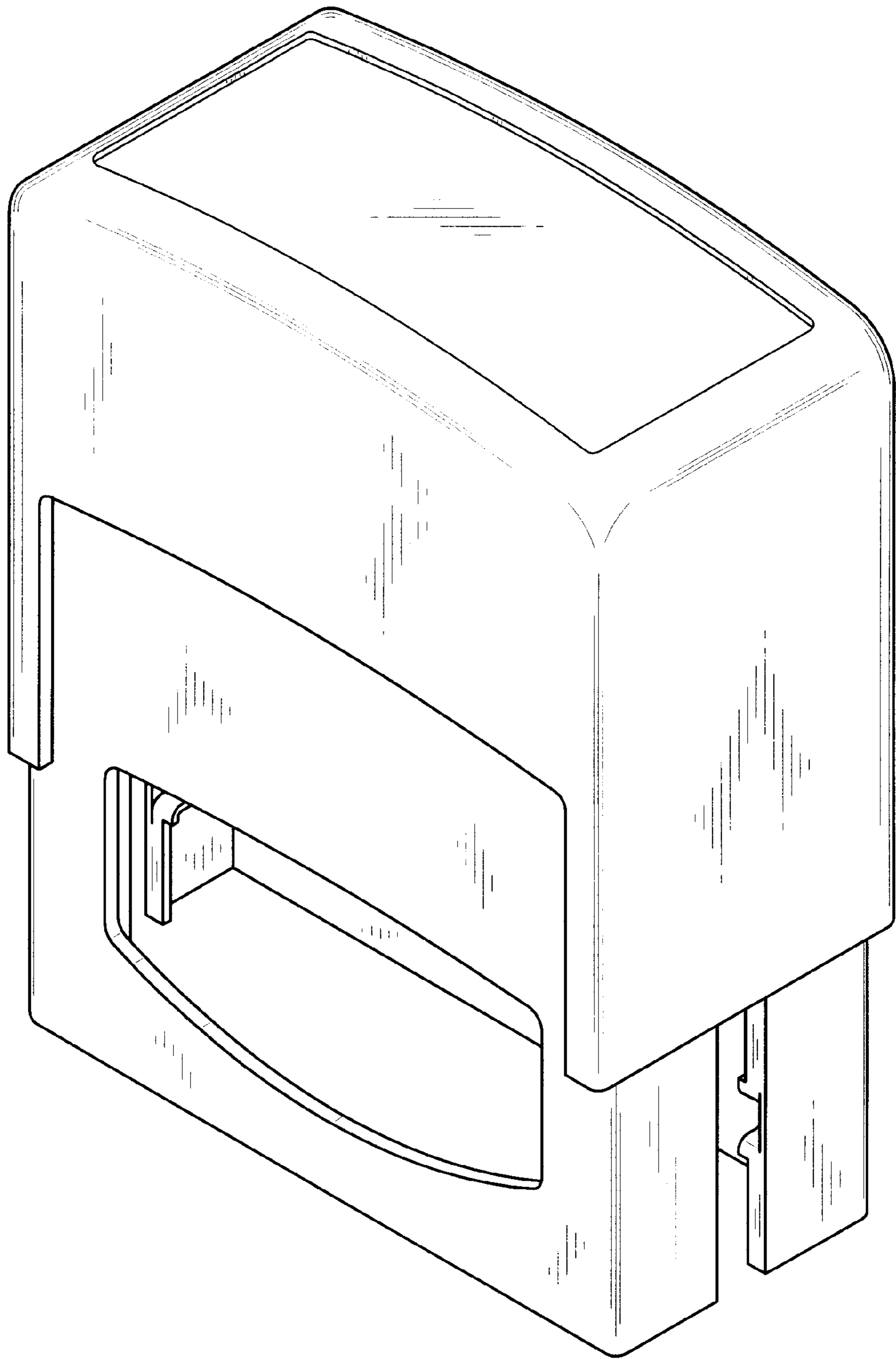


FIG. 2

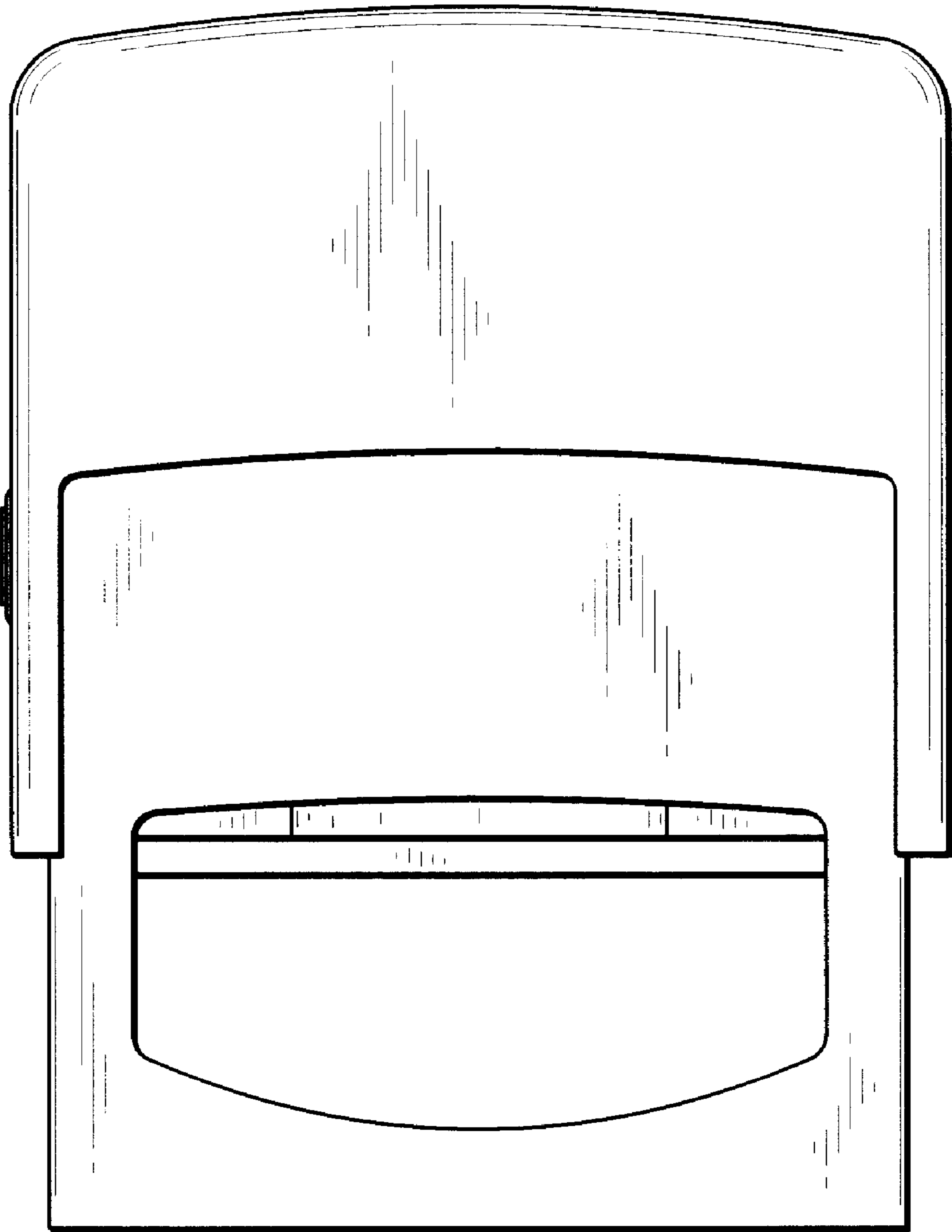


FIG. 3

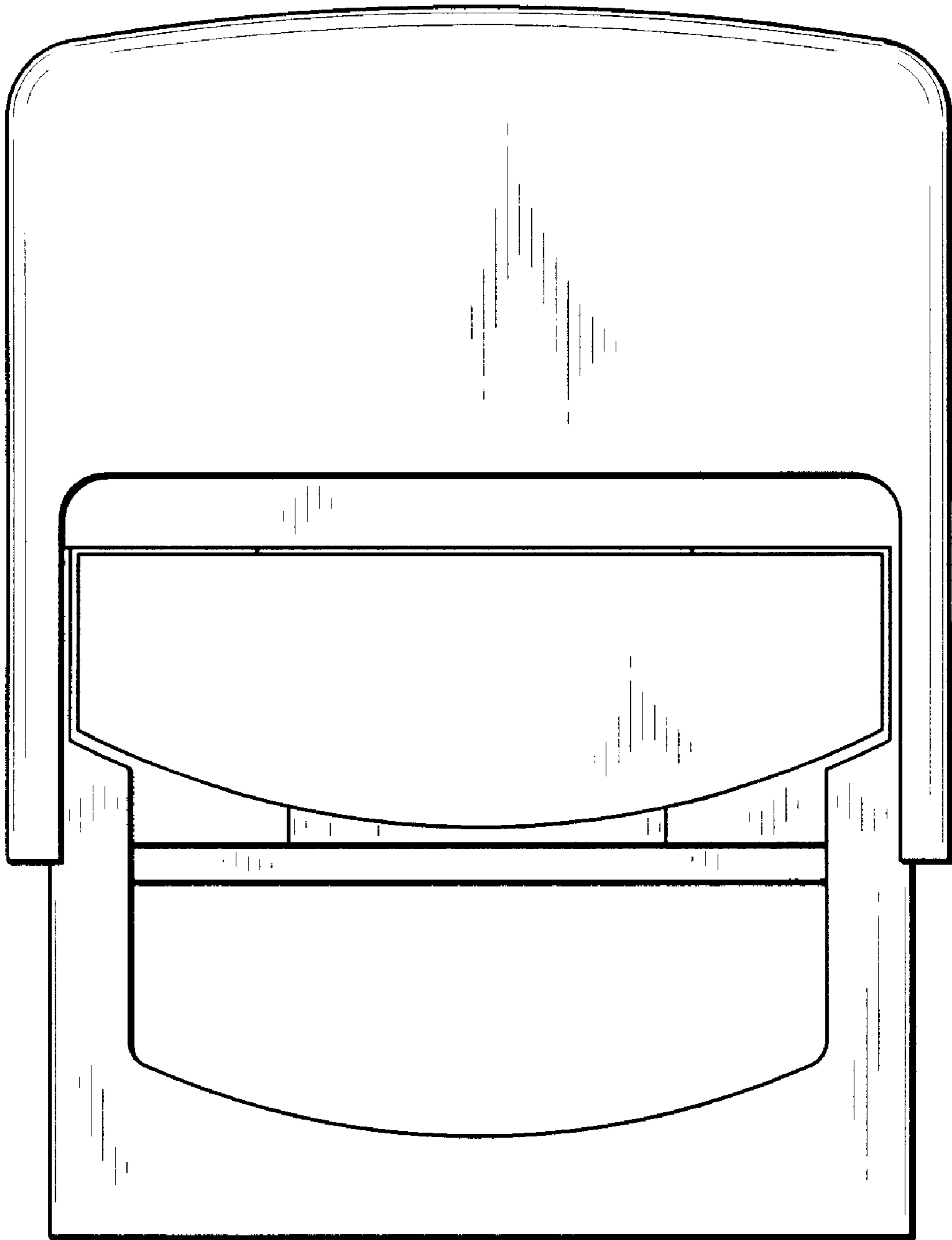


FIG. 4

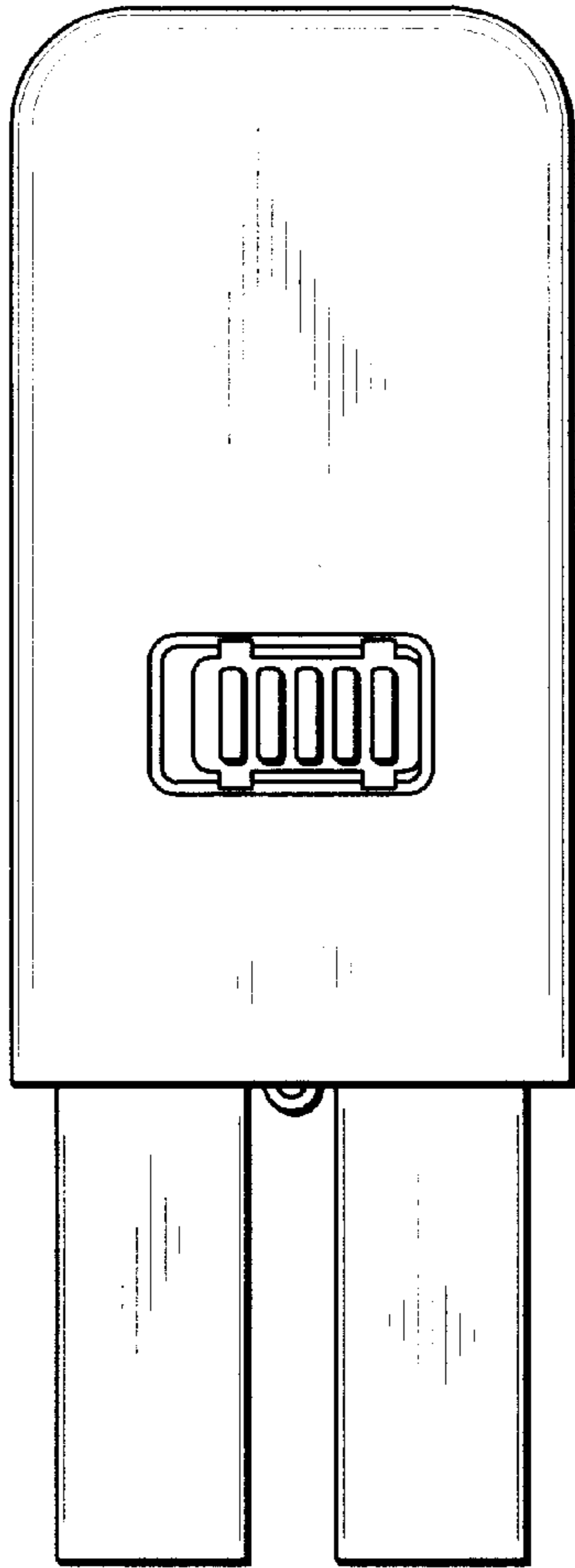


FIG. 5

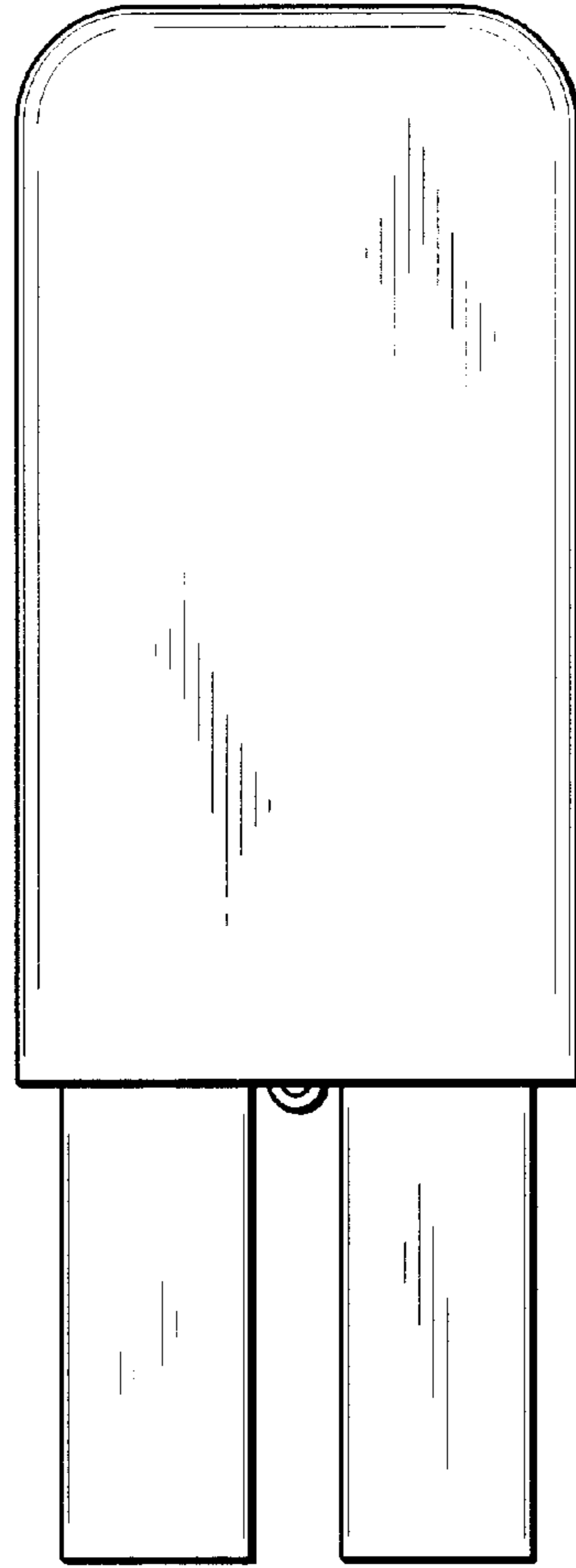


FIG. 6

