



US00D452261B1

(12) **United States Design Patent**
Hayashi

(10) **Patent No.:** **US D452,261 S**

(45) **Date of Patent:** **** Dec. 18, 2001**

(54) **CHANGEABLE CHARACTER STAMP**

(75) Inventor: **Shiro Hayashi**, Nagoya (JP)

(73) Assignee: **Shachihata Inc.**, Nagoya (JP)

(**) Term: **14 Years**

(21) Appl. No.: **29/109,329**

(22) Filed: **Aug. 16, 1999**

(51) **LOC (7) Cl.** **19-02**

(52) **U.S. Cl.** **D18/15**

(58) **Field of Search** D18/14-18; D19/70;
118/264, 268; 101/103, 125, 327, 333,
334, 368, 371-373, 376, 405, 406

(56) **References Cited**

U.S. PATENT DOCUMENTS

D. 280,643 * 9/1985 Ichikawa D18/15
D. 378,597 * 3/1997 Harden D18/14

FOREIGN PATENT DOCUMENTS

86809 5/1999 (CA) .
768526 5/1989 (JP) .
944661 11/1995 (JP) .
1004156 11/1997 (JP) .

OTHER PUBLICATIONS

Guernsey Office Products' General Line catalog (c)2000; p.
994 Item "B"—Lg. Inspection Stamp.*

Guernsey Office Products' General Line Catalog (c)2000; p.
1000; Item "D"—XpeDater.*

* cited by examiner

Primary Examiner—Joel Sincavage

Assistant Examiner—Clare E. Heflin

(74) *Attorney, Agent, or Firm*—Crowell & Moring LLP

(57) **CLAIM**

The ornamental design for a changeable character stamp, as
shown and described.

DESCRIPTION

FIG. 1 is a top, front and right side perspective view of the
changeable character stamp showing my new design;

FIG. 2 is bottom, front and right side perspective view
thereof;

FIG. 3 is a front view thereof;

FIG. 4 is a rear view thereof;

FIG. 5 is left side view thereof;

FIG. 6 is a right side view thereof;

FIG. 7 is a top view thereof;

FIG. 8 is a bottom view thereof;

FIG. 9 is a front view thereof, showing the cover cylinder
raised so as to be able to change stamping characters; and,

FIG. 10 is a right side view thereof showing the cover
cylinder raised so as to be able to change stamping charac-
ters.

1 Claim, 3 Drawing Sheets

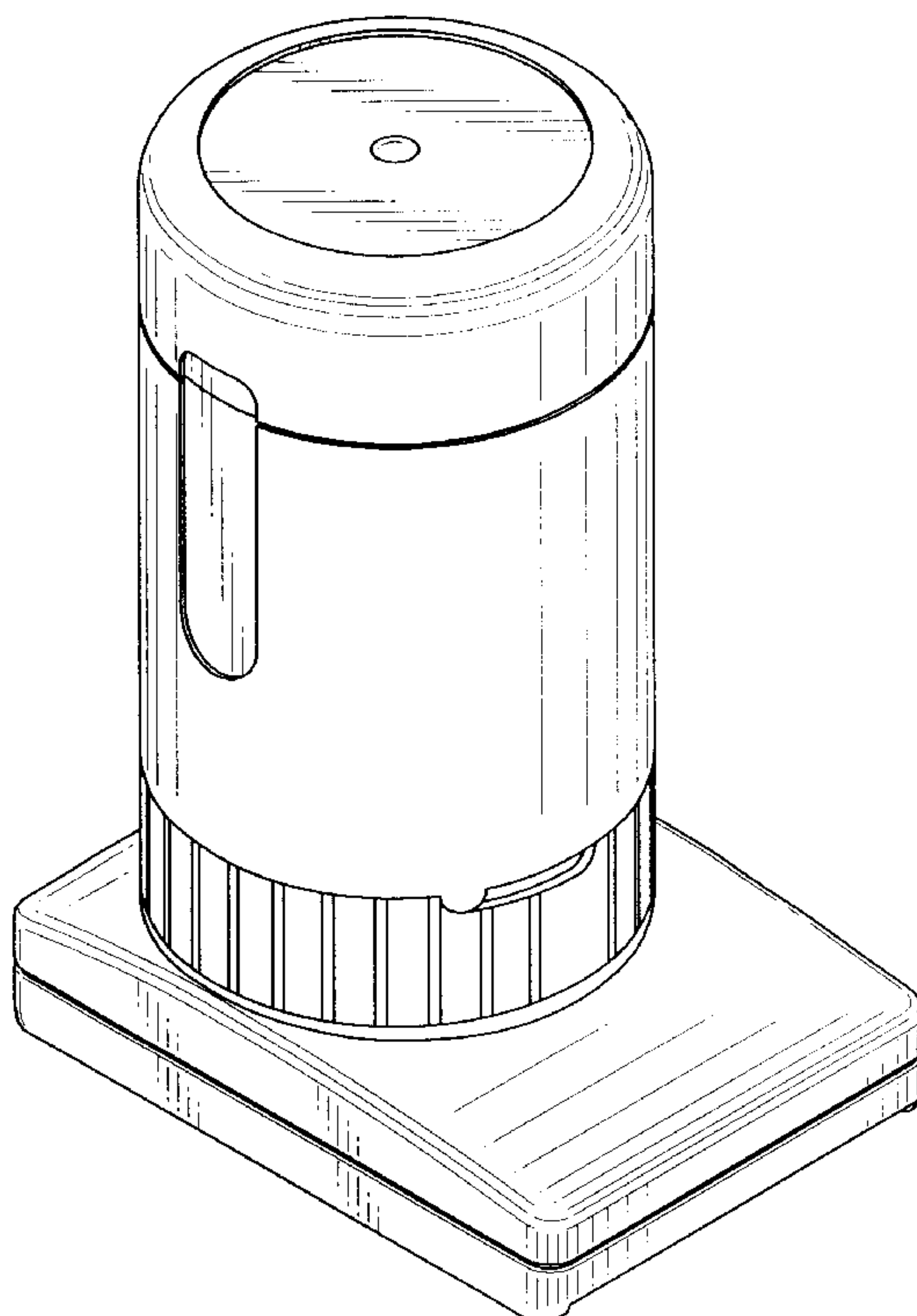


FIG. 1

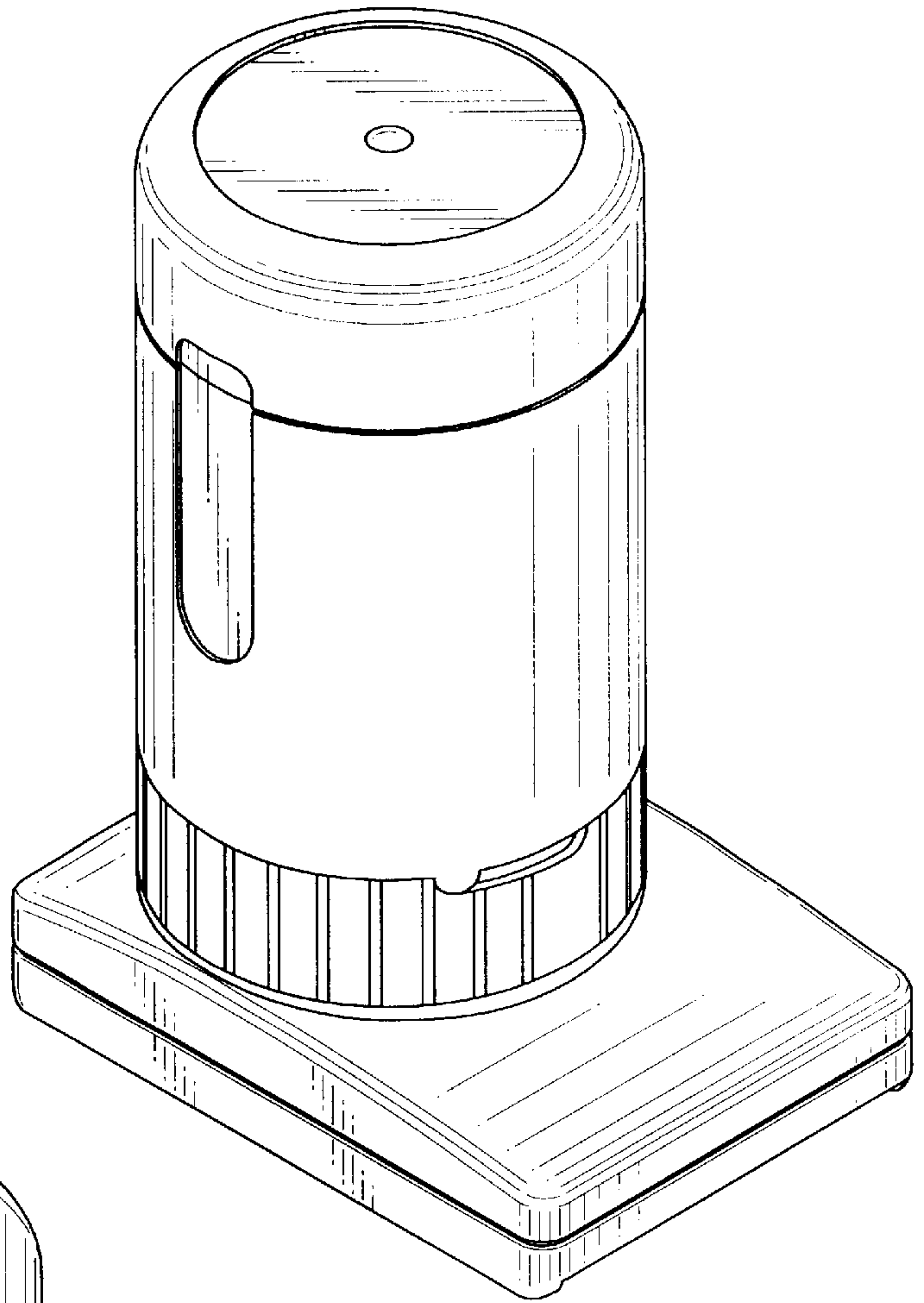


FIG. 2

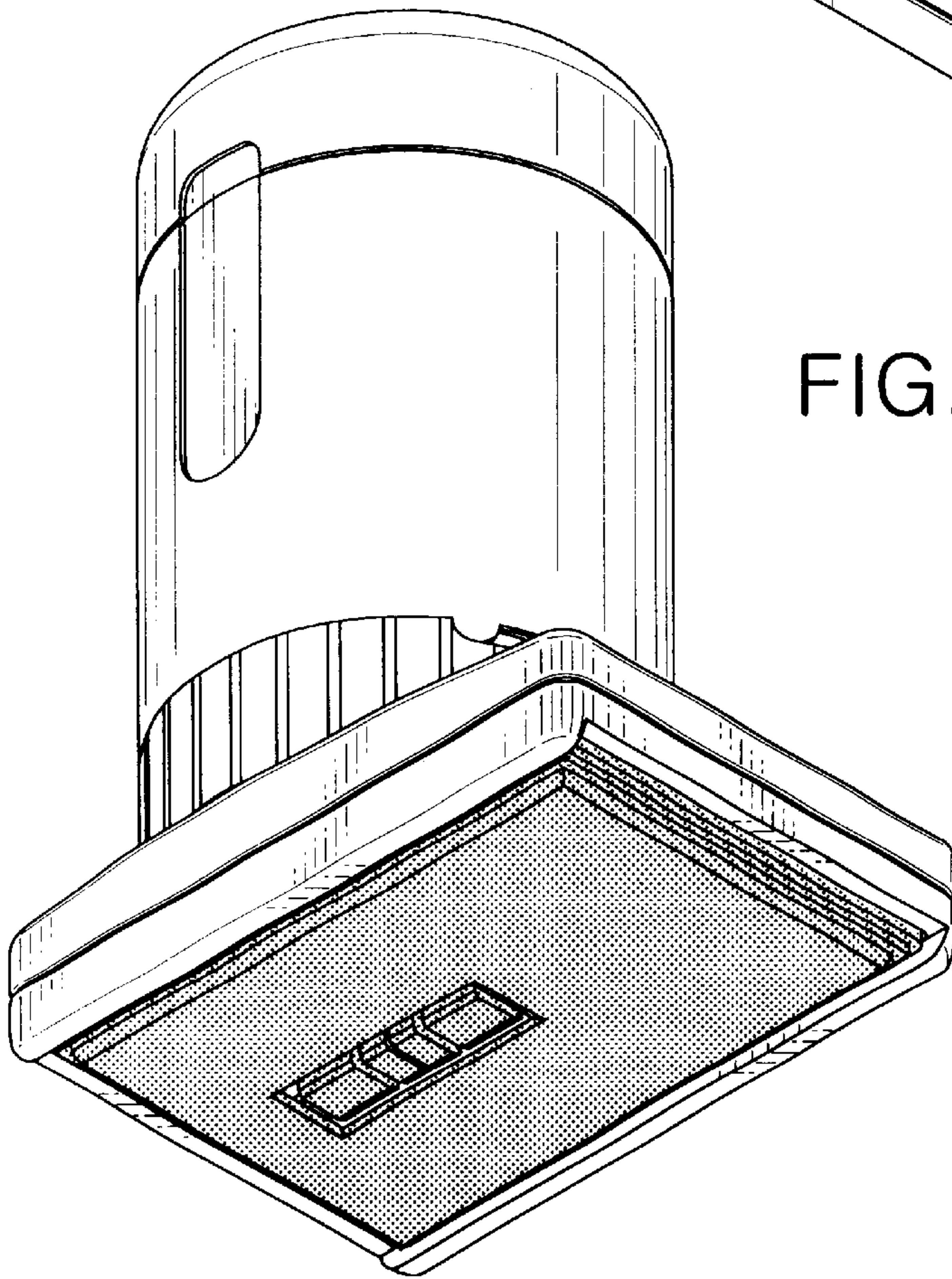


FIG.3

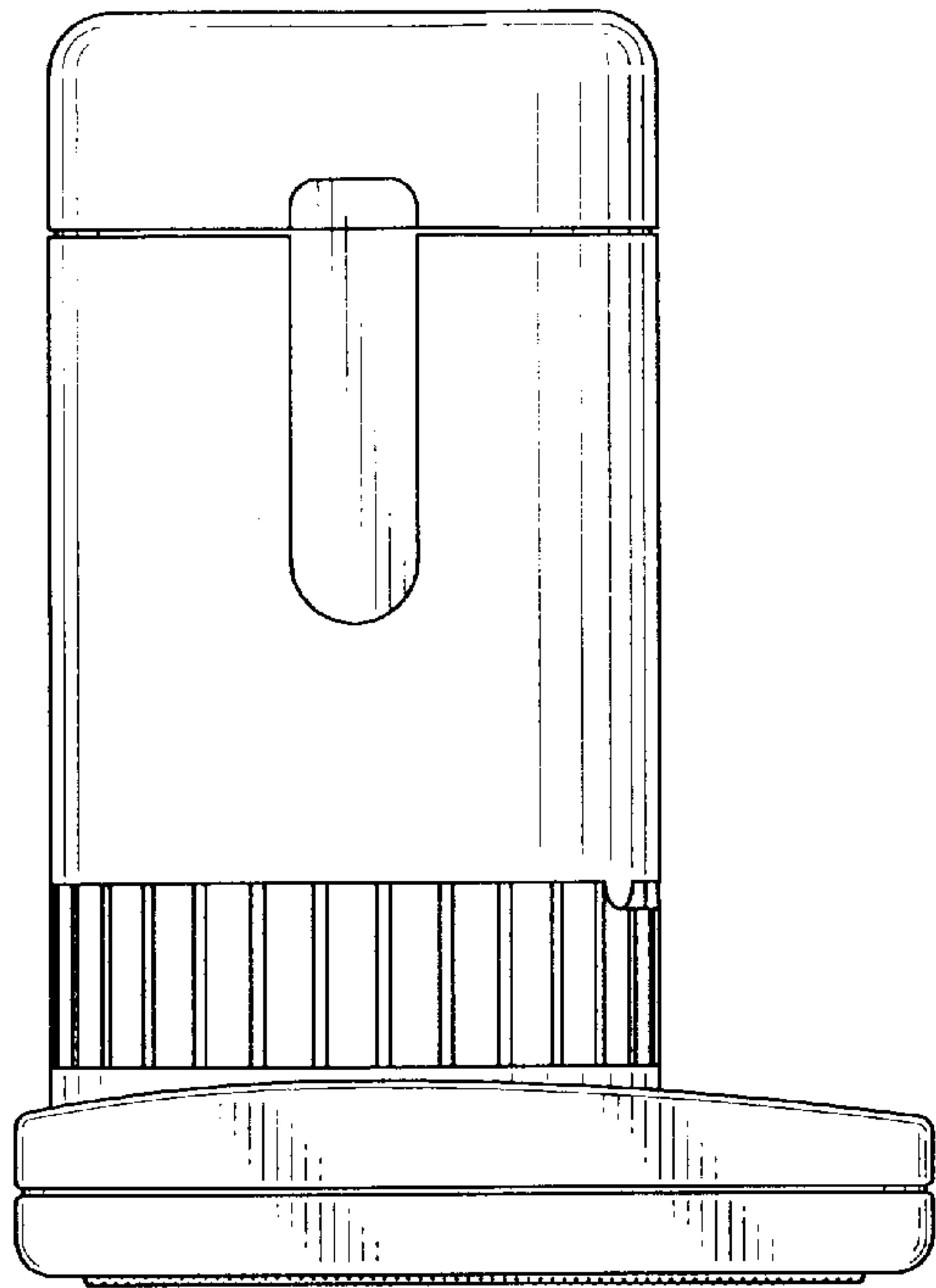


FIG.4

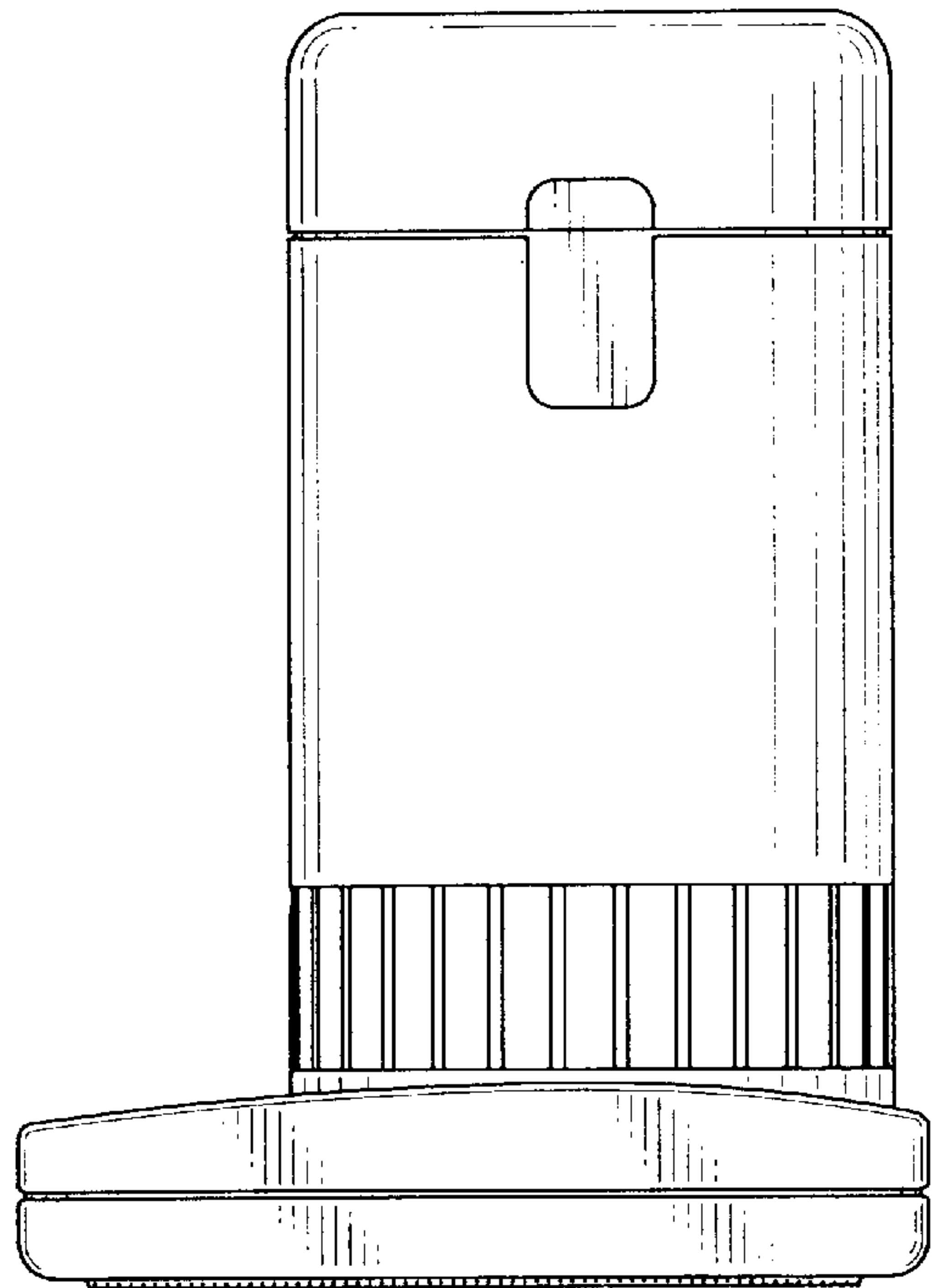


FIG.5

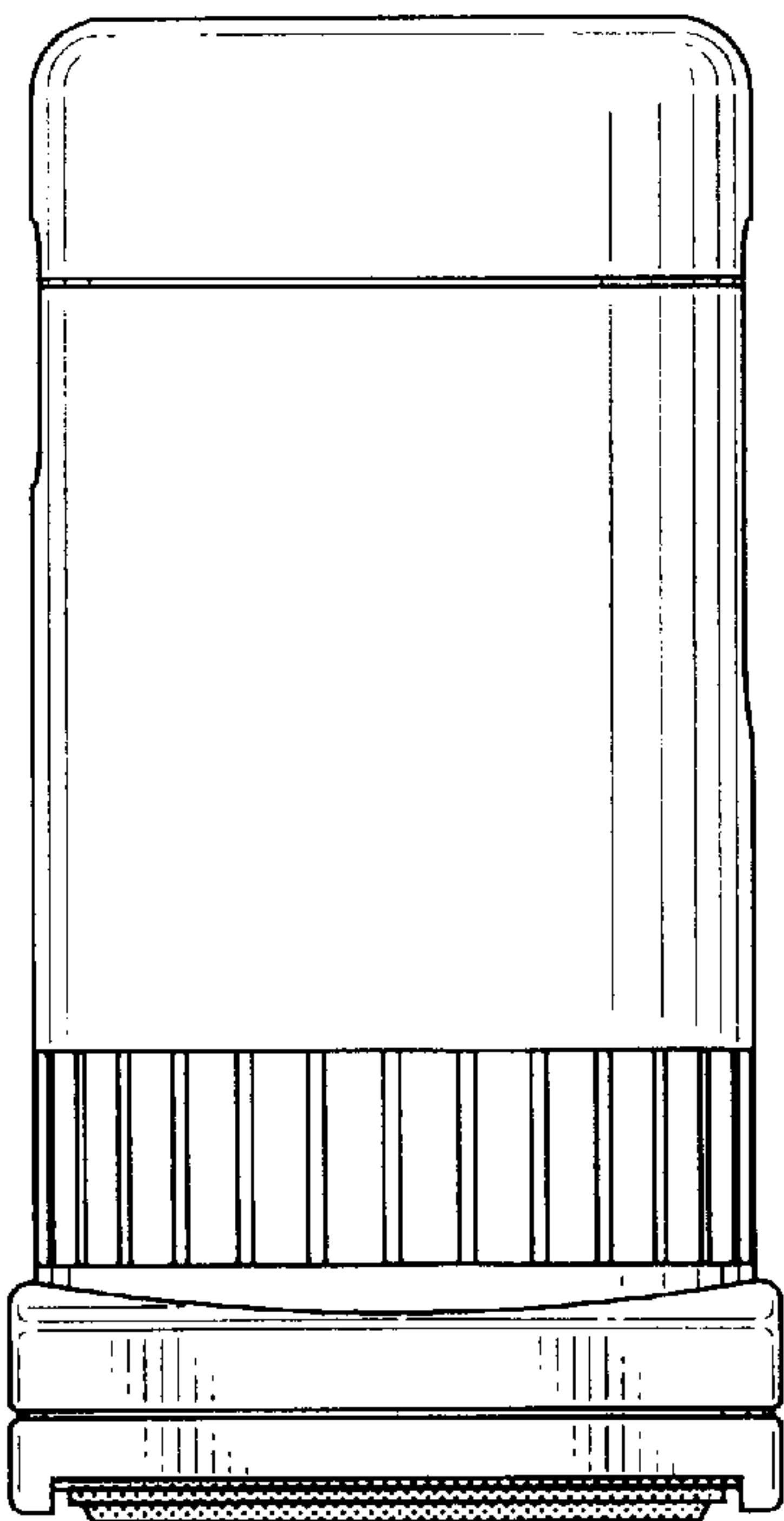


FIG.6

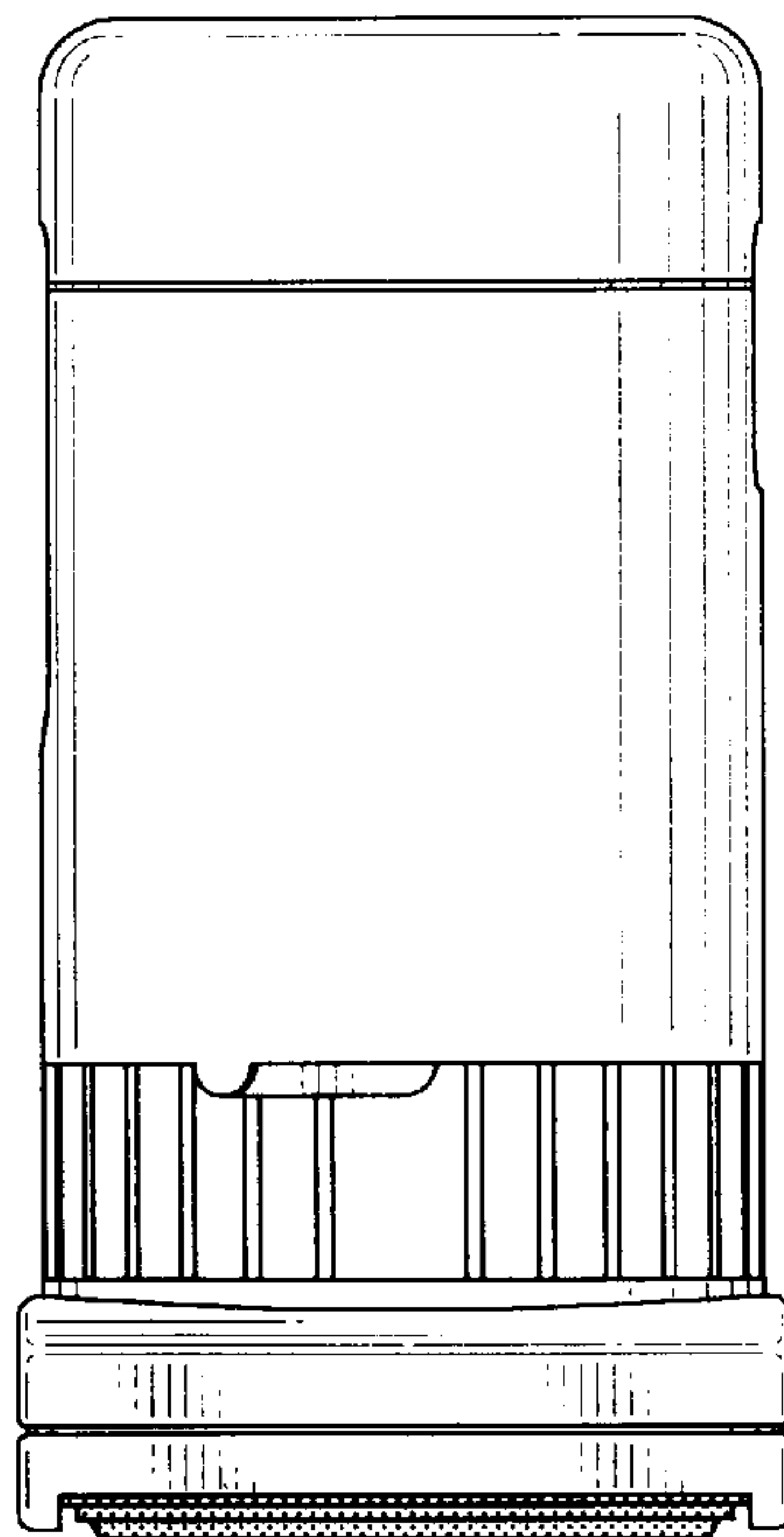


FIG. 7

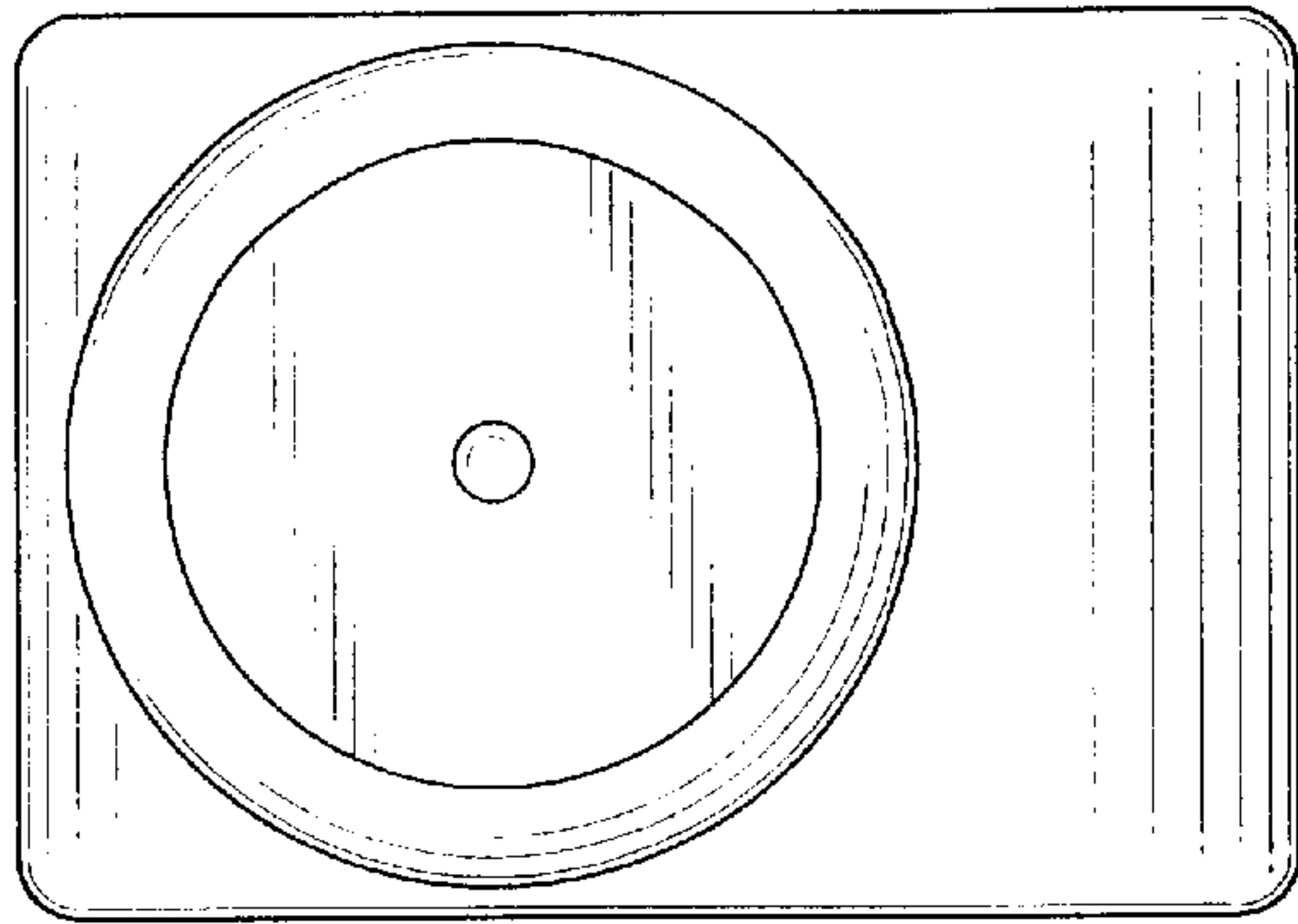


FIG. 8

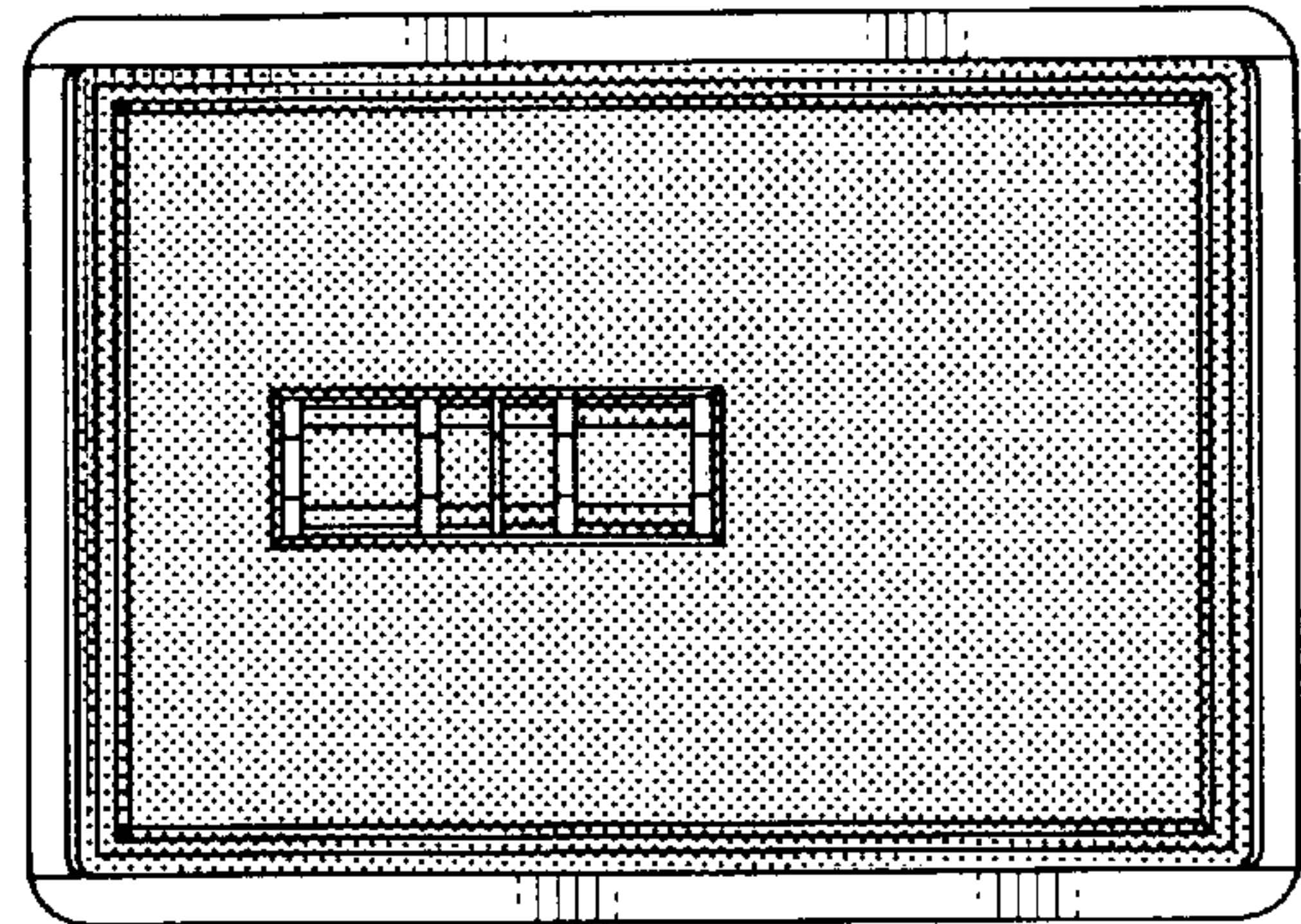


FIG. 9

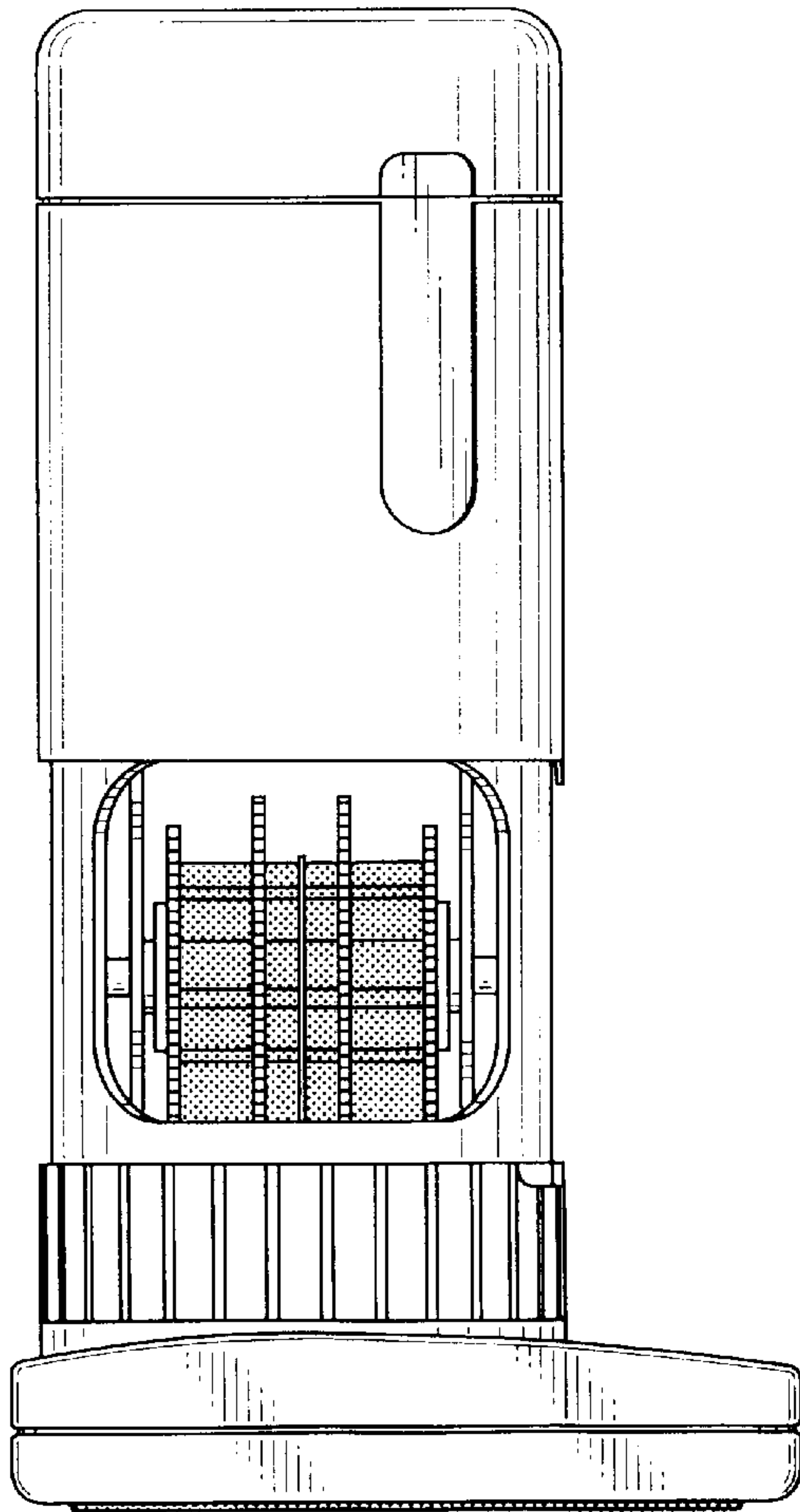


FIG. 10

