



US00D452258B1

(12) **United States Design Patent**  
**Nojima**

(10) **Patent No.:** **US D452,258 S**

(45) **Date of Patent:** **\*\* Dec. 18, 2001**

(54) **BINOCULARS**

(75) Inventor: **Akira Nojima**, Fussa (JP)

(73) Assignee: **Nikon Corporation**, Tokyo (JP)

(\*\*) Term: **14 Years**

(21) Appl. No.: **29/139,471**

(22) Filed: **Apr. 2, 2001**

(30) **Foreign Application Priority Data**

Dec. 25, 2000 (JP) ..... 12-036828

(51) **LOC (7) Cl.** ..... **16-06**

(52) **U.S. Cl.** ..... **D16/133**

(58) **Field of Search** ..... D16/130, 133;  
359/414, 418, 425, 405, 407, 409, 411,  
412, 413, 415

(56) **References Cited**

**U.S. PATENT DOCUMENTS**

- D. 361,777 \* 8/1995 Akabane et al. .... D16/133
- D. 378,216 \* 2/1997 Tarahashi ..... D16/133
- D. 381,669 \* 7/1997 Hashimoto et al. .... D16/133
- D. 383,474 \* 9/1997 Hashimoto ..... D16/133

- D. 394,665 \* 5/1998 Akabane et al. .... D16/133
- 2,079,890 \* 5/1937 Wollensar et al. .... 359/413
- 4,818,086 \* 4/1989 Moore ..... 359/414
- 4,867,533 \* 9/1989 Akin, Jr. .... 359/425

\* cited by examiner

*Primary Examiner*—Paula A. Mortimer

(74) *Attorney, Agent, or Firm*—Oliff & Berridge, PLC

(57) **CLAIM**

The ornamental design for binoculars, as shown.

**DESCRIPTION**

FIG. 1 is a front perspective view of binoculars showing my new design;  
 FIG. 2 is a front elevation view thereof;  
 FIG. 3 is a rear elevation view thereof;  
 FIG. 4 is a top plan view thereof;  
 FIG. 5 is a bottom plan view thereof;  
 FIG. 6 is a left side elevation view thereof;  
 FIG. 7 is a right side elevation view thereof;  
 FIG. 8 is a rear perspective view thereof; and,  
 FIG. 9 is a front perspective view thereof in an open position.

**1 Claim, 7 Drawing Sheets**



Fig. 1



Fig. 2

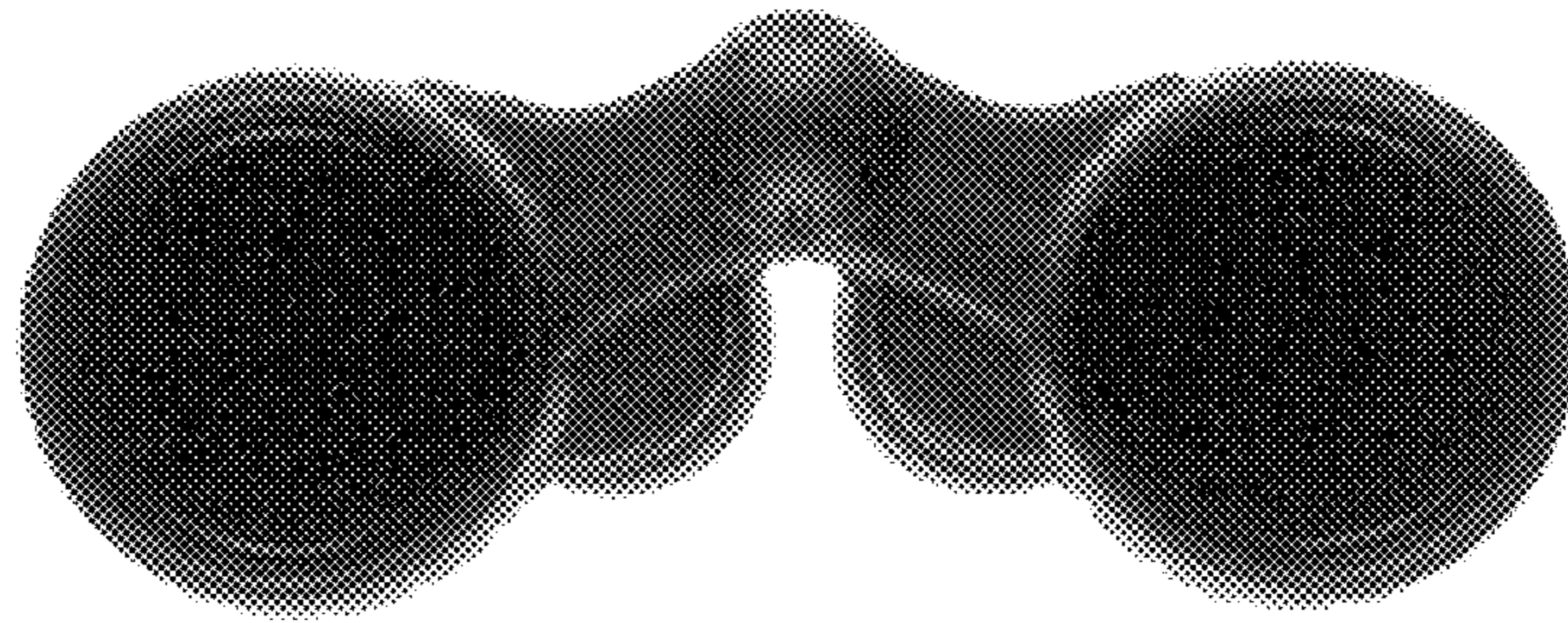


Fig. 3

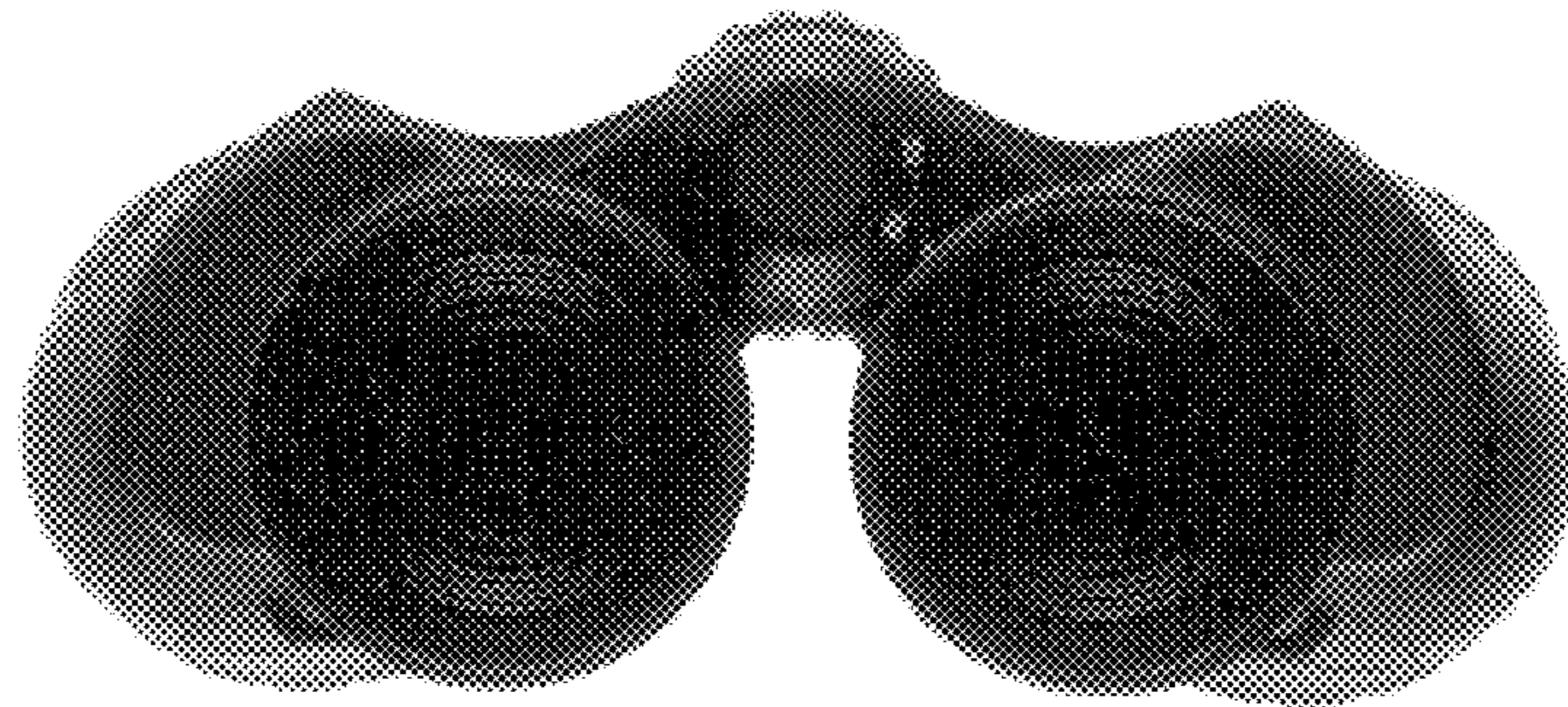


Fig. 4



Fig. 5



Fig. 6

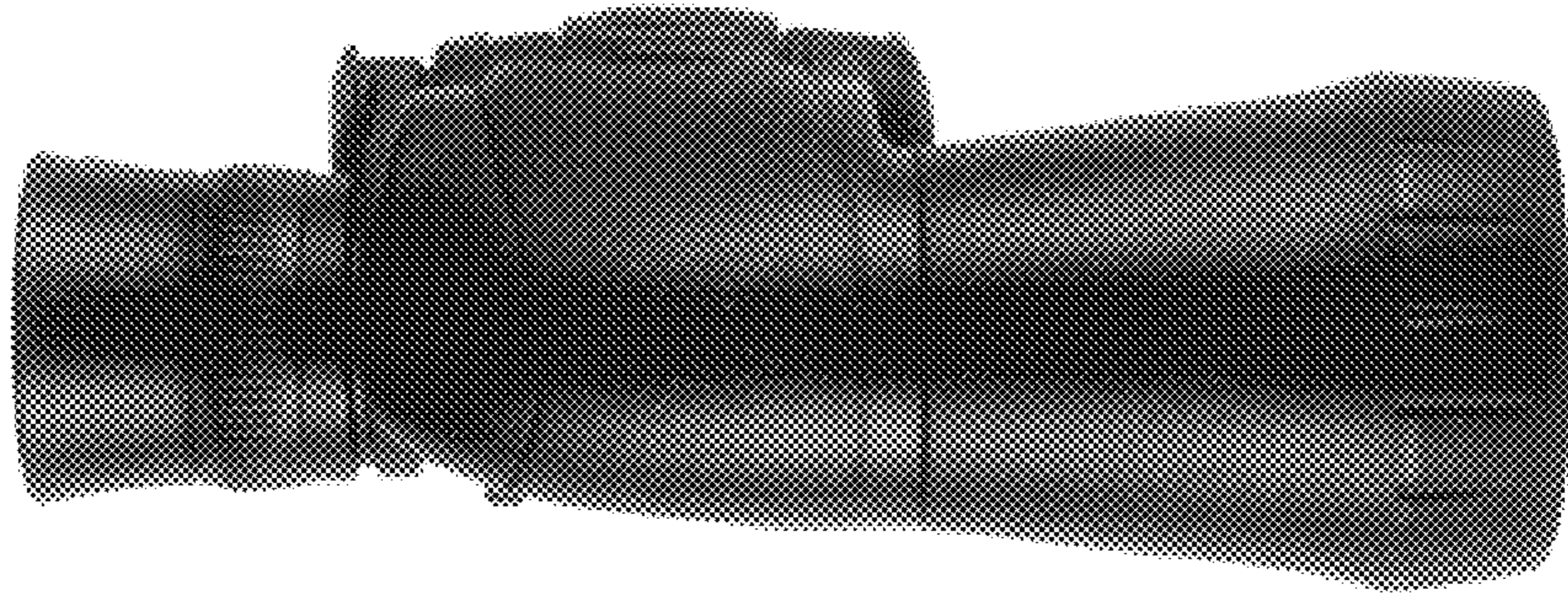


Fig. 7

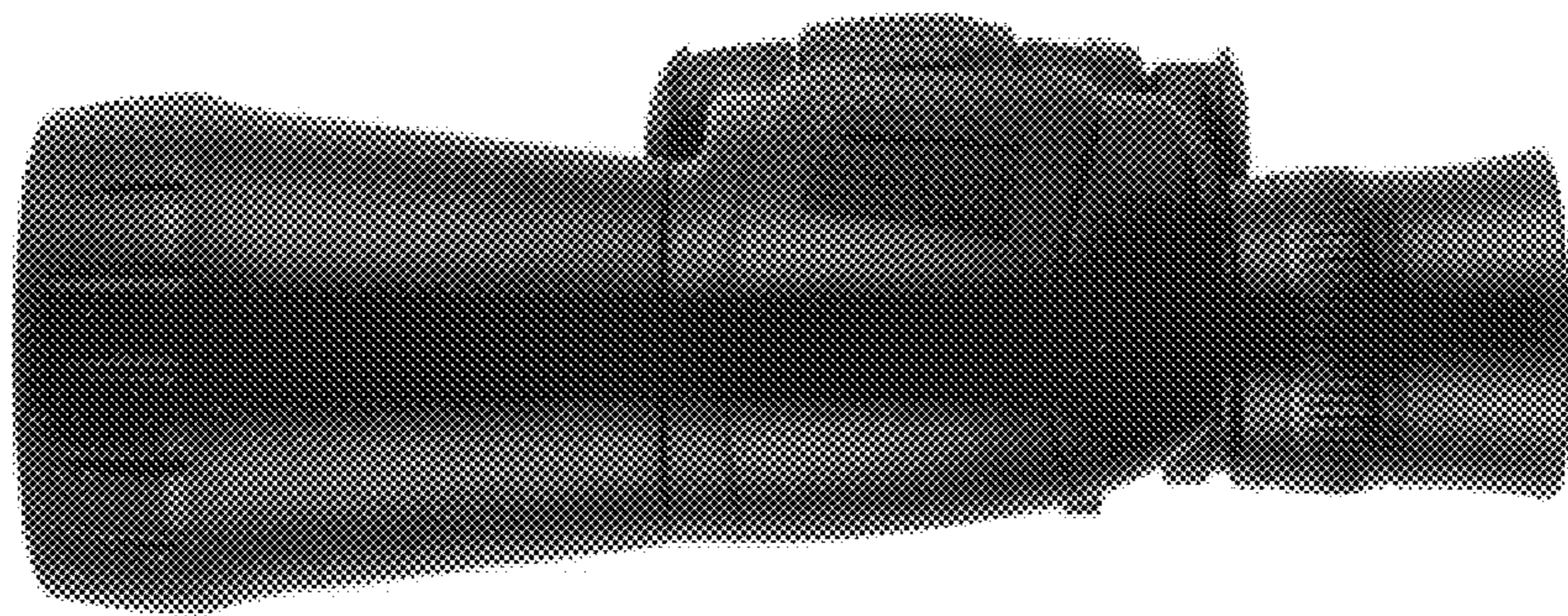


Fig. 8



Fig. 9

