



US00D452254B1

(12) **United States Design Patent**  
**Kawaguchi et al.**

(10) **Patent No.:** **US D452,254 S**

(45) **Date of Patent:** **\*\* Dec. 18, 2001**

(54) **COMPRESSOR FOR A VEHICLE AIR  
CONDITIONER**

(75) Inventors: **Masahiro Kawaguchi; Masanori  
Sonobe; Ken Suitou; Tetsuhiko  
Fukanuma; Osamu Hiramatsu**, all of  
Kariya (JP)

(73) Assignee: **Kabushiki Kaisha Toyota Jidoshokki  
Seisakusho**, Kariya (JP)

(\*\*) Term: **14 Years**

(21) Appl. No.: **29/133,317**

(22) Filed: **Nov. 28, 2000**

**Related U.S. Application Data**

(62) Division of application No. 29/079,258, filed on Nov. 10,  
1997, now Pat. No. Des. 441,377.

(51) **LOC (7) Cl.** ..... **15-02**

(52) **U.S. Cl.** ..... **D15/9**

(58) **Field of Search** ..... D15/9, 7, 5; D23/324,  
D23/325, 354; 417/415, 234, 539, 222.1,  
231, 205, 360, 572

(56) **References Cited**

**U.S. PATENT DOCUMENTS**

D. 282,471 \* 2/1986 Bearint et al. .... D15/9

D. 351,603 \* 10/1994 Ikeda et al. .... D15/9  
D. 352,291 \* 11/1994 Ikeda et al. .... D15/7  
D. 353,145 \* 12/1994 Ikeda et al. .... D15/9  
D. 370,225 \* 5/1996 Wada et al. .... D15/9  
D. 373,366 \* 9/1996 Wada et al. .... D15/9  
D. 381,993 \* 8/1997 Takenaka et al. .... D15/9  
5,470,207 \* 11/1995 Shockey et al. .... 417/360

\* cited by examiner

*Primary Examiner*—Ralf Seifert

(74) *Attorney, Agent, or Firm*—Morgan & Finnegan, L.L.P.

(57) **CLAIM**

The ornamental design for a compressor for a vehicle air  
conditioner, as shown and described.

**DESCRIPTION**

FIG. 1 is a front elevational view of a compressor for a  
vehicle air conditioner;

FIG. 2 is a rear elevational view thereof;

FIG. 3 is a top plan view thereof;

FIG. 4 is a bottom plan view thereof;

FIG. 5 is a right side elevational view thereof;

FIG. 6 is a left side elevational view thereof;

FIG. 7 is a front perspective view thereof; and,

FIG. 8 is a rear perspective view therefor.

**1 Claim, 4 Drawing Sheets**

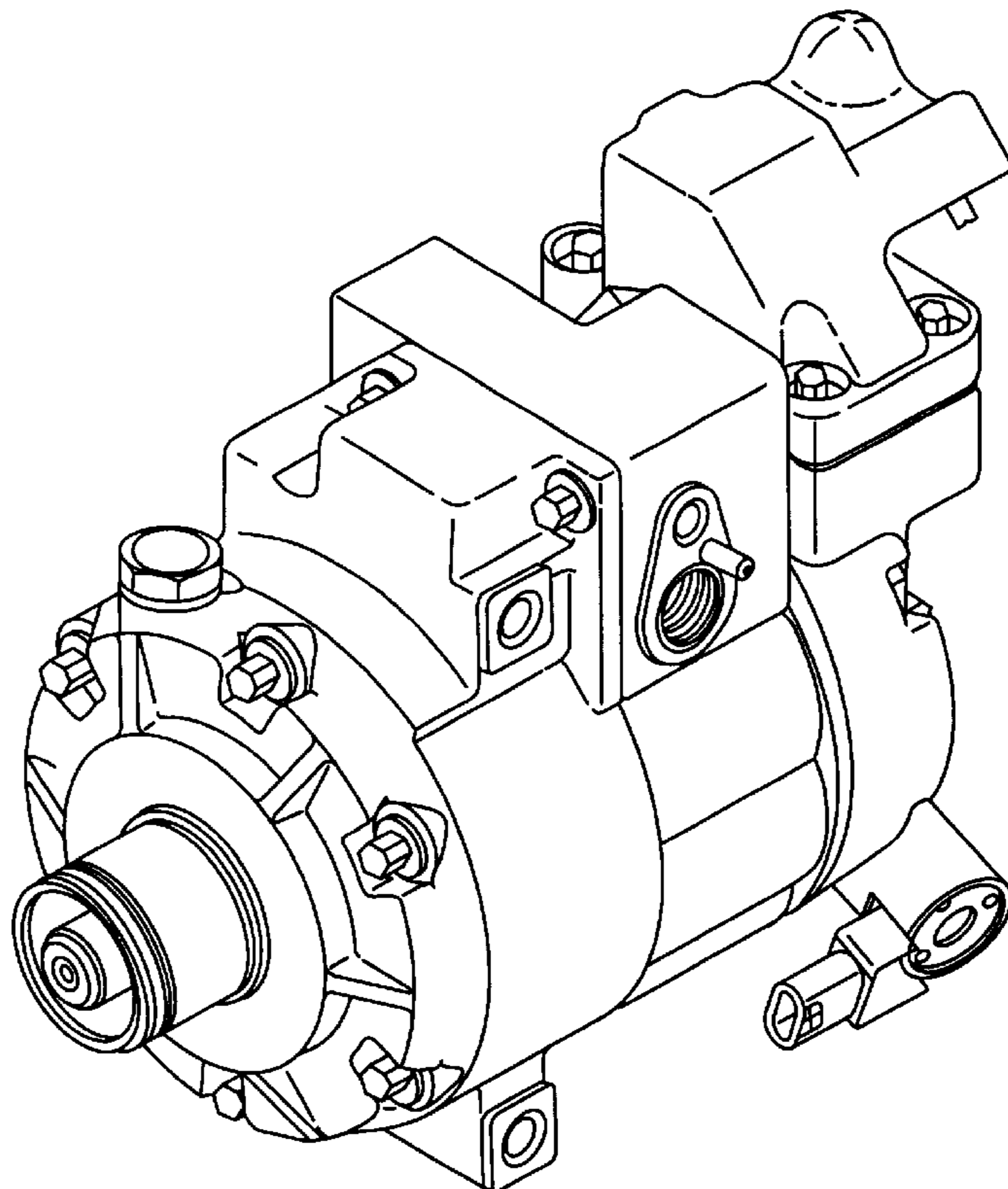


Fig. 1

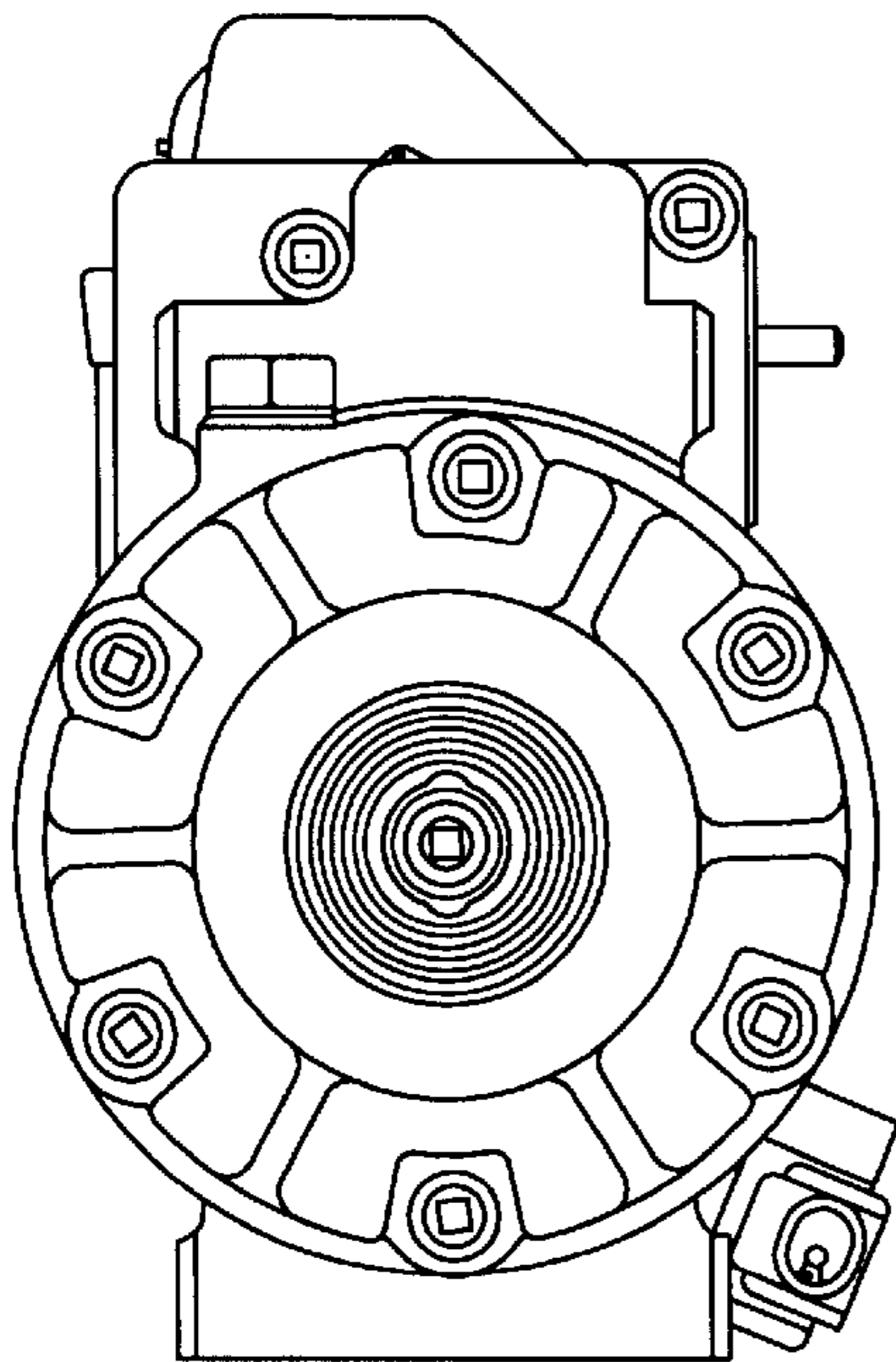


Fig. 2

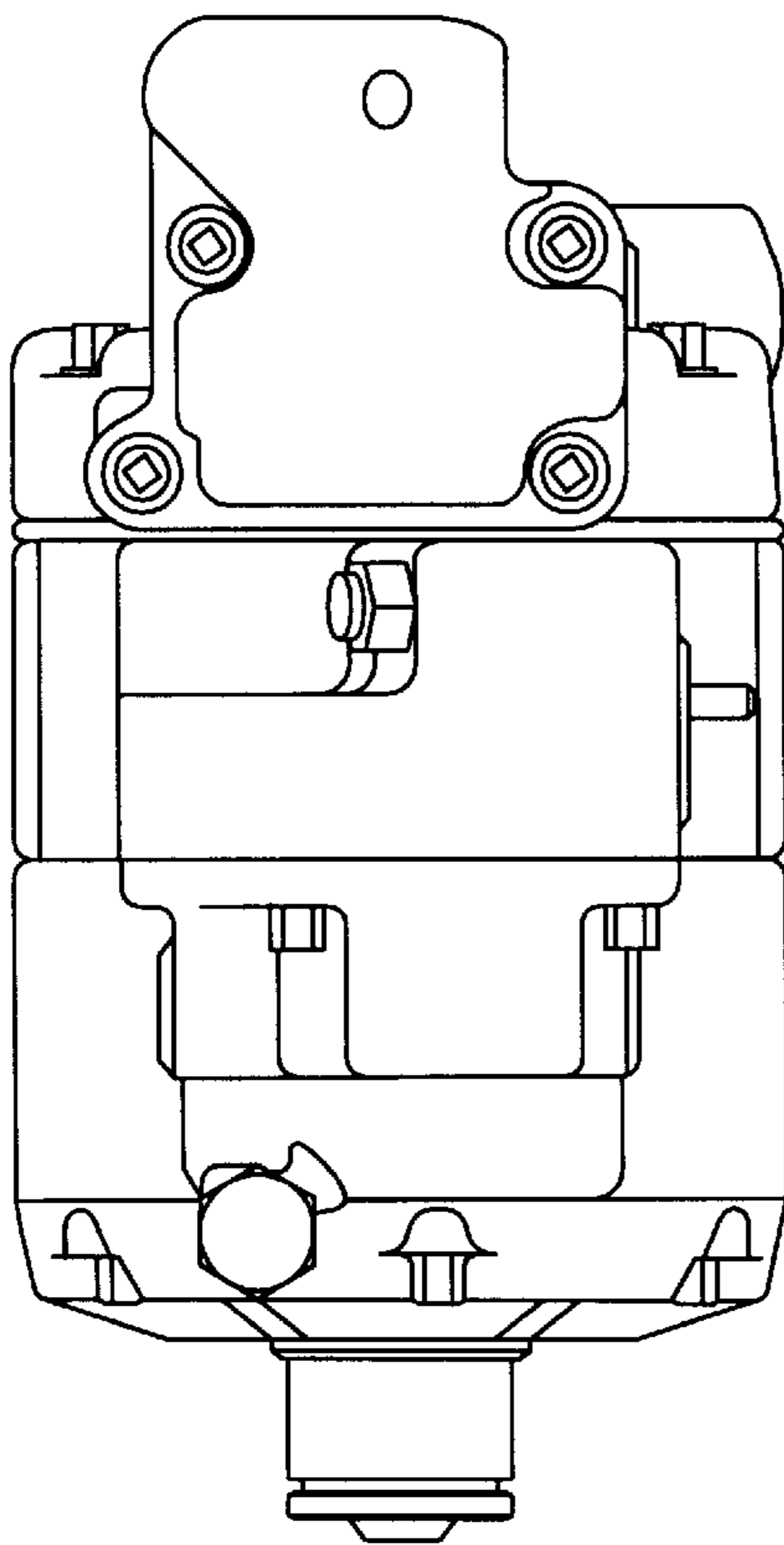
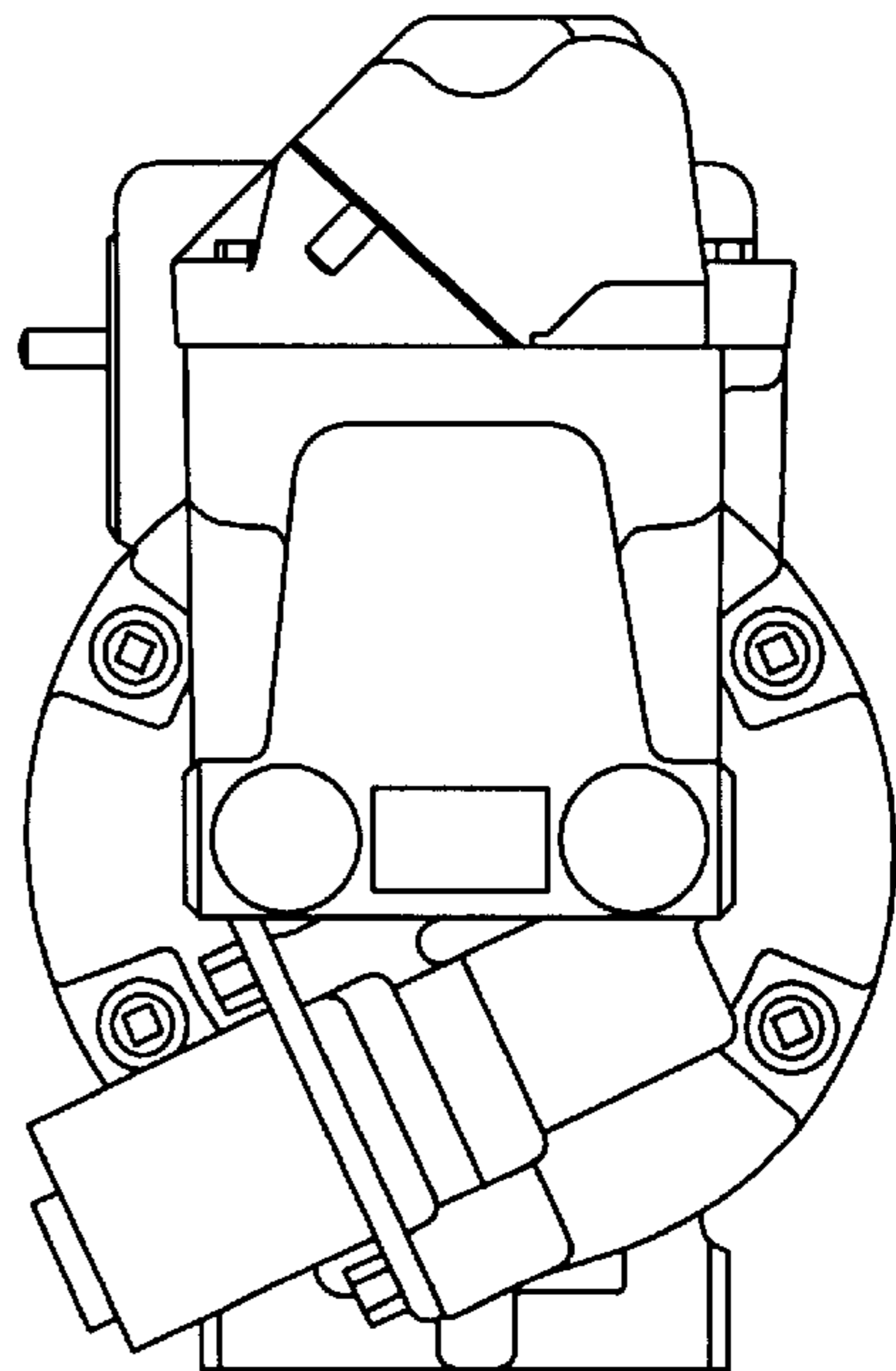


Fig. 3

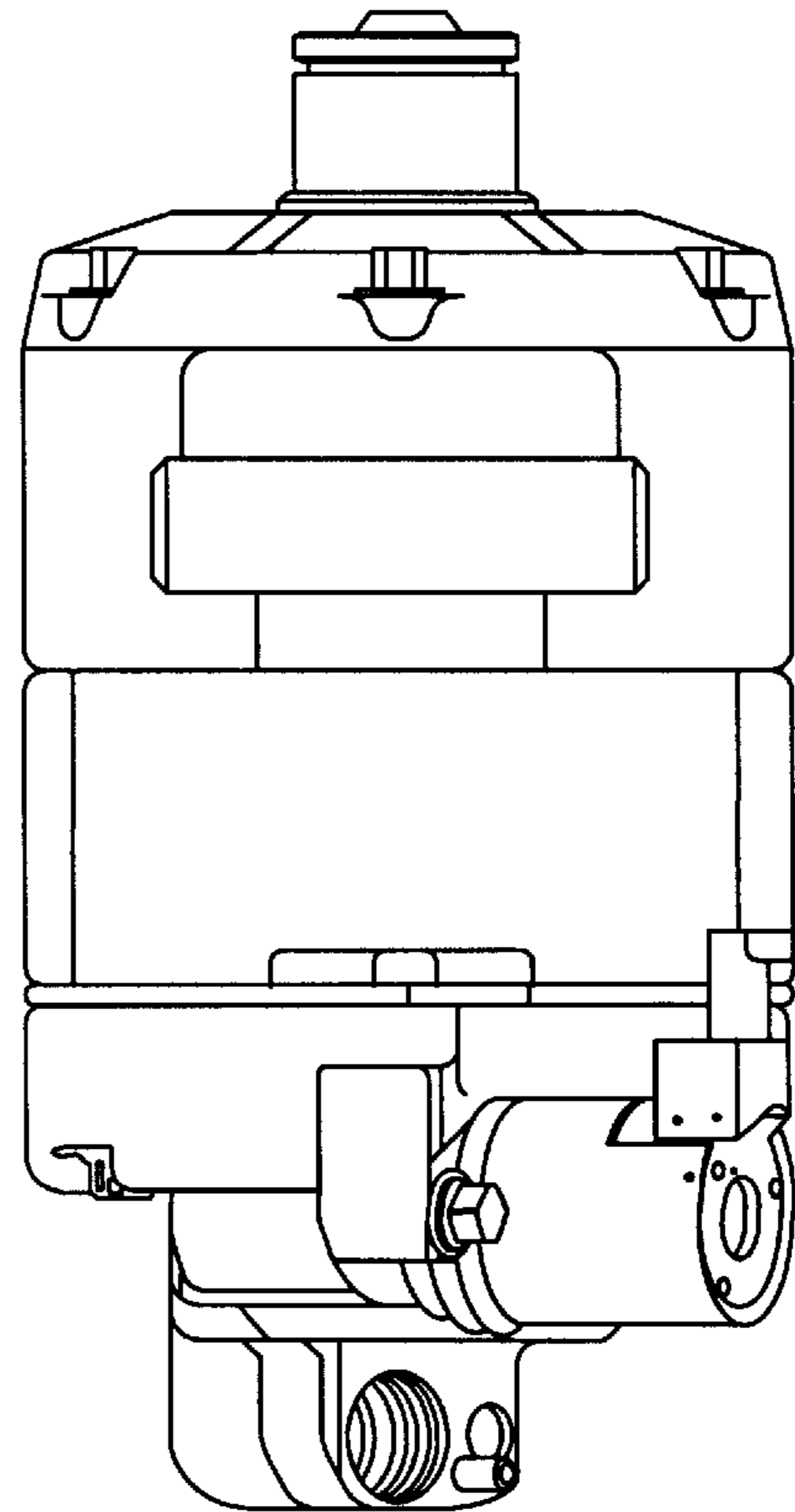


Fig. 4

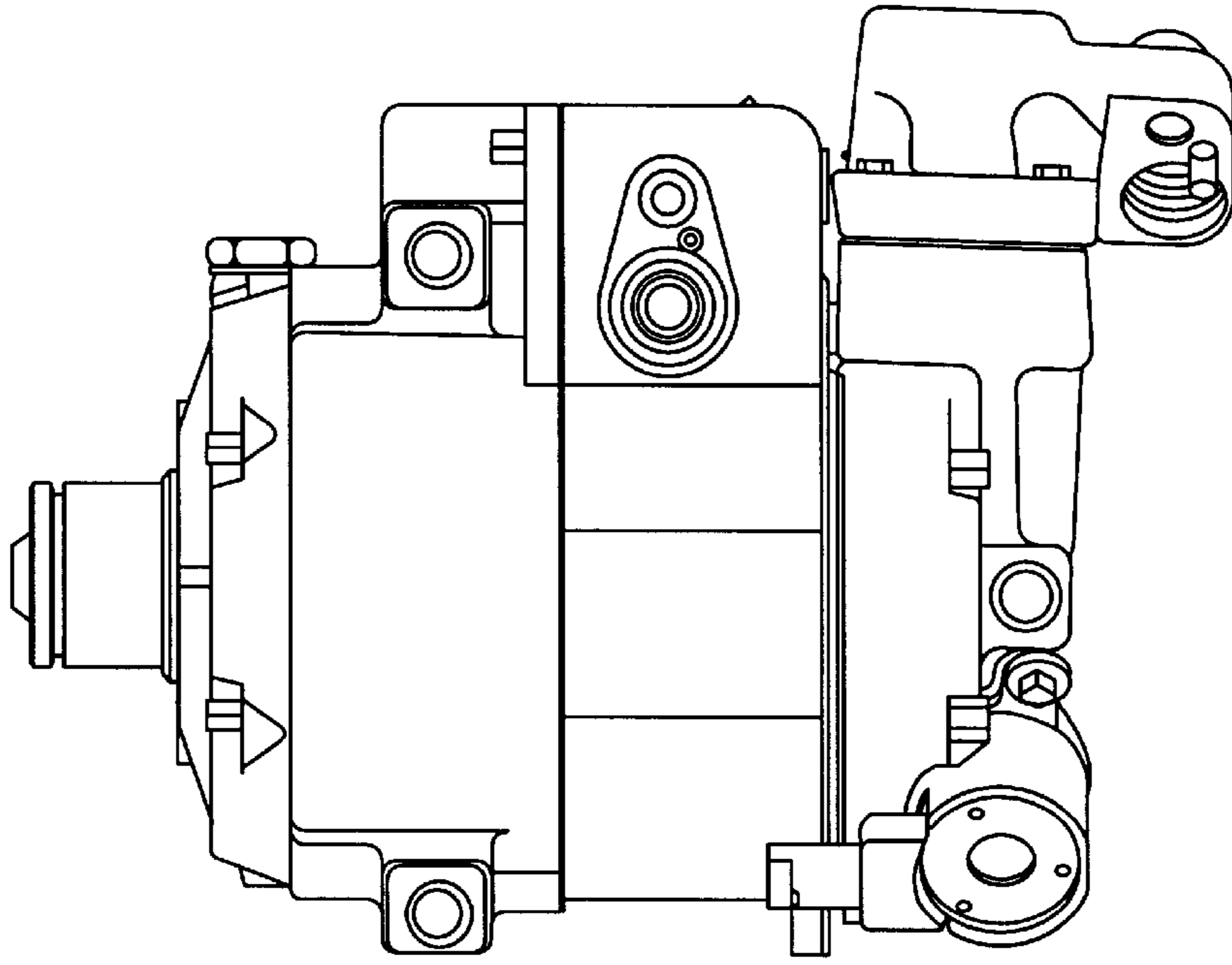


Fig. 5

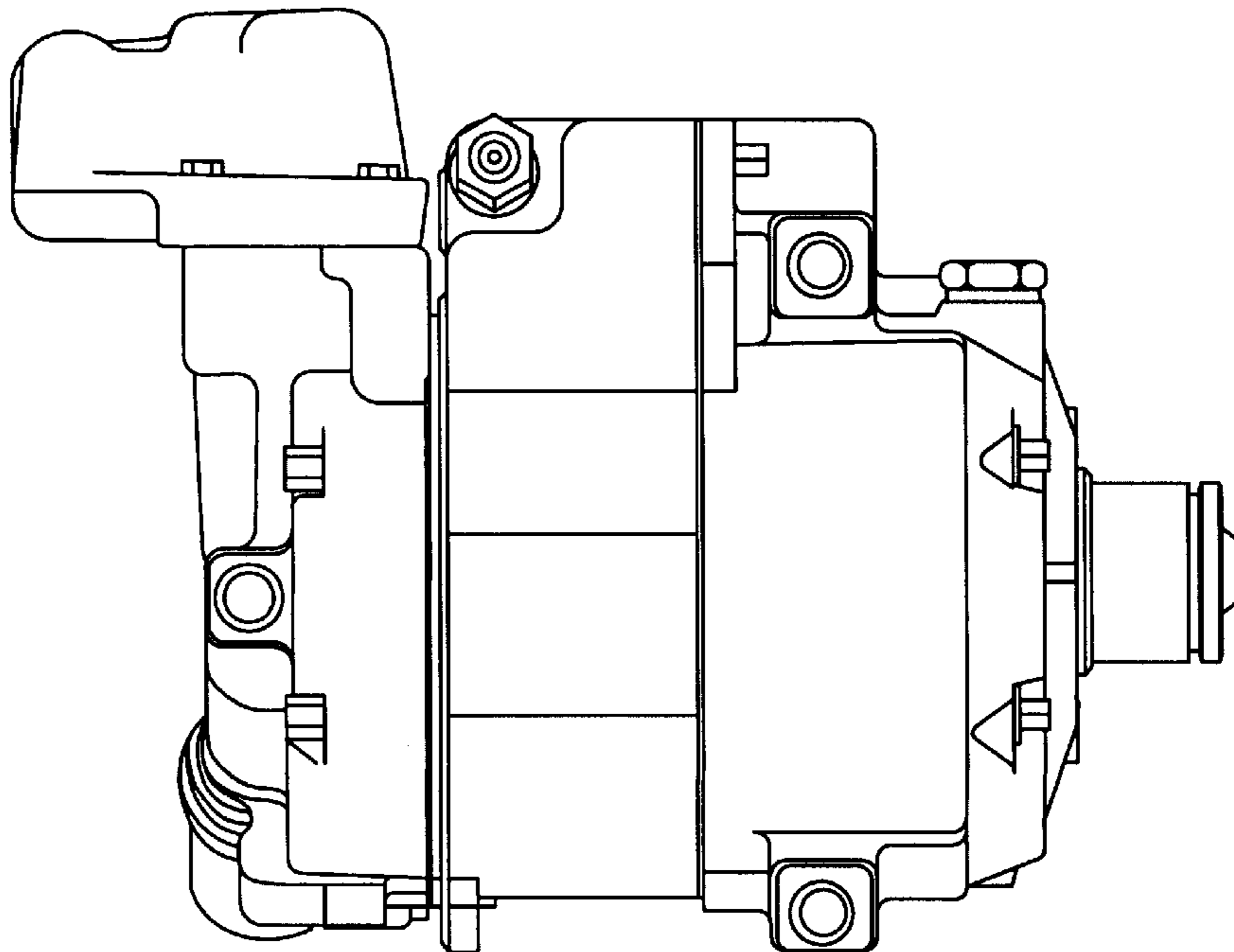


Fig. 6

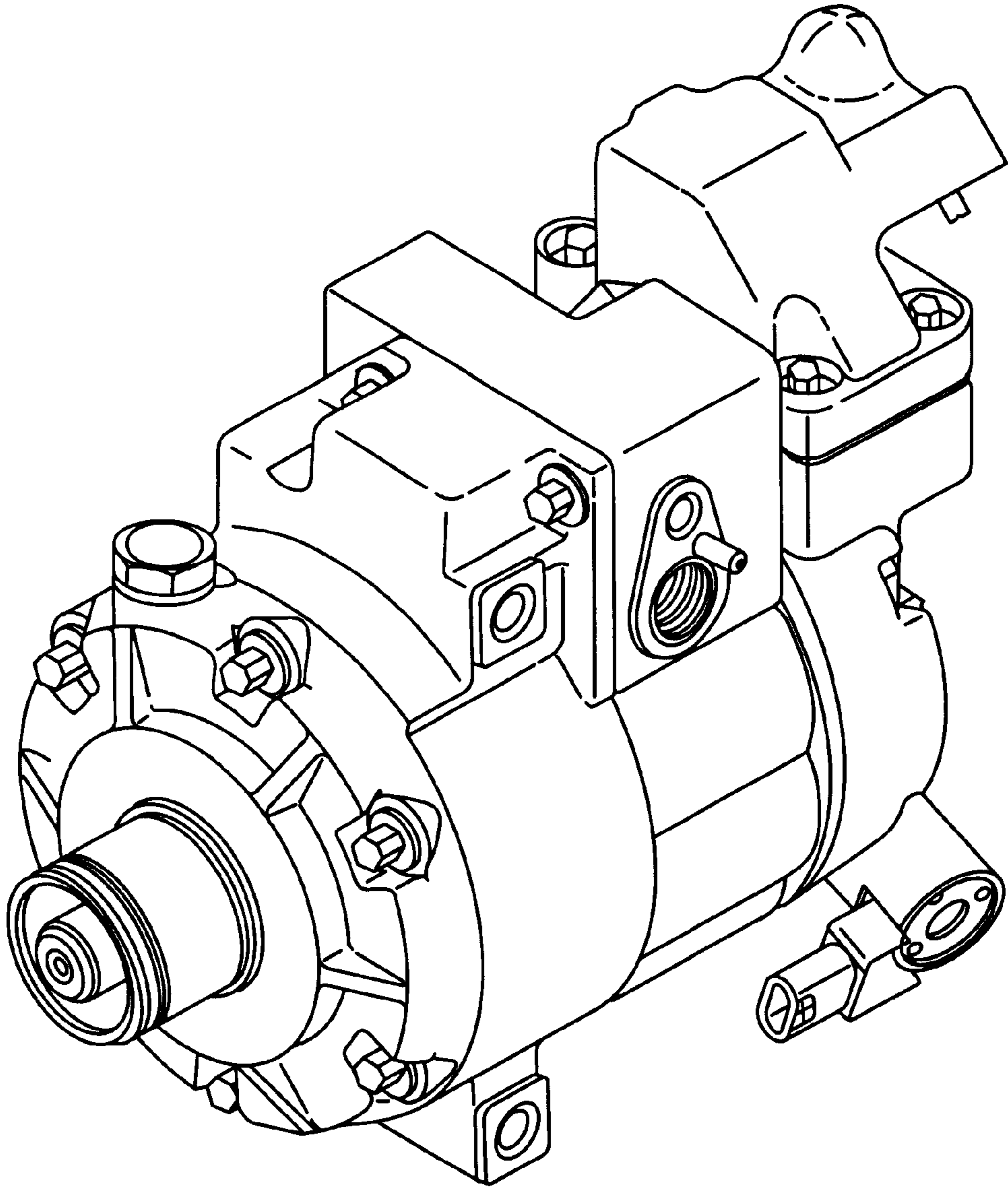


Fig. 7



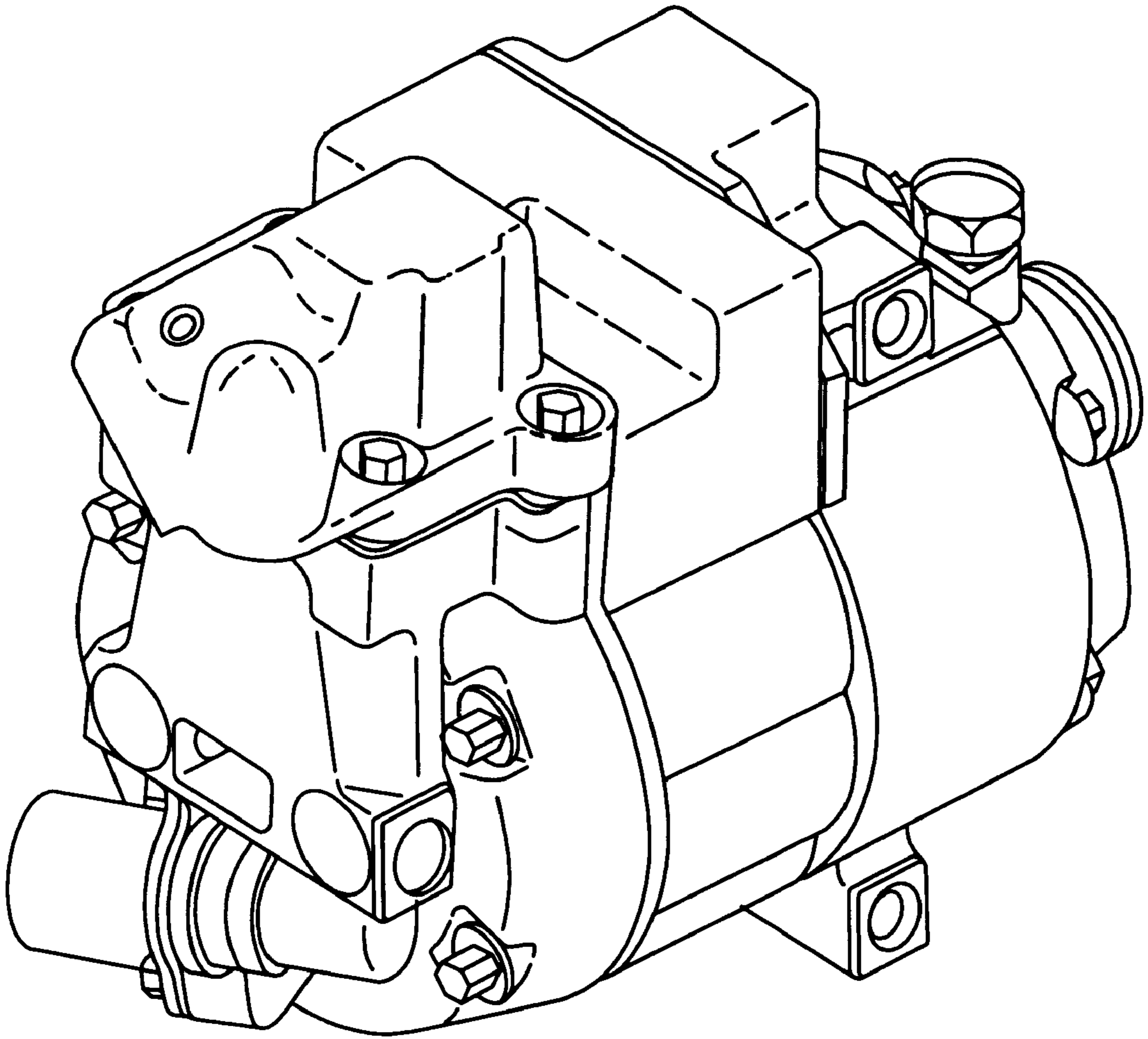


Fig. 8