



US00D452237B1

(12) **United States Design Patent**  
**Lewis**

(10) **Patent No.:** **US D452,237 S**

(45) **Date of Patent:** **\*\* Dec. 18, 2001**

(54) **FRONT PANEL FOR AN IN-CAR ENTERTAINMENT SYSTEM**

(75) Inventor: **David Lewis, København (DK)**

(73) Assignee: **Bang & Olufsen A/S, Struer (DK)**

(\*\*) Term: **14 Years**

(21) Appl. No.: **29/138,727**

(22) Filed: **Mar. 19, 2001**

(30) **Foreign Application Priority Data**

Sep. 21, 2000 (DK) ..... MA 2000 01024

(51) **LOC (7) Cl.** ..... **14-99**

(52) **U.S. Cl.** ..... **D14/258; D14/157**

(58) **Field of Search** ..... D14/496, 363-368, D14/125, 135-136, 156-157, 239, 258, 257; 369/75.1, 75.2, 77.1, 77.2; 455/344-348, 350-351

(56) **References Cited**

**U.S. PATENT DOCUMENTS**

- D. 301,476 \* 6/1989 Scianna, Sr. et al. .... D14/157
- D. 333,307 \* 2/1993 Sliper et al. .... D14/258
- D. 333,823 \* 3/1993 Sliper et al. .... D14/257
- D. 343,842 \* 2/1994 Fowler et al. .... D14/157 X
- D. 351,167 \* 10/1994 Yun ..... D14/156
- D. 395,284 \* 6/1998 Downing et al. .... D14/257
- D. 433,393 \* 11/2000 Hisatsune ..... D14/125

D. 438,520 \* 3/2001 Nose et al. .... D14/136

\* cited by examiner

*Primary Examiner*—Nanda Bondade

(74) *Attorney, Agent, or Firm*—Pitney, Hardin, Kipp & Szych LLP

(57) **CLAIM**

The ornamental design for a front panel for an in-car entertainment system, as shown and described.

**DESCRIPTION**

FIG. 1 to 6 show the front panel in an open state

FIG. 1 is a top perspective view

FIG. 2 is a front view

FIG. 3 is a left side view

FIG. 4 is a right side view

FIG. 5 is a bottom plan view

FIG. 6 is a top plan view

FIG. 7 to 12 show the front panel in a closed state

FIG. 7 is a top perspective view

FIG. 8 is a front view

FIG. 9 is a left side view

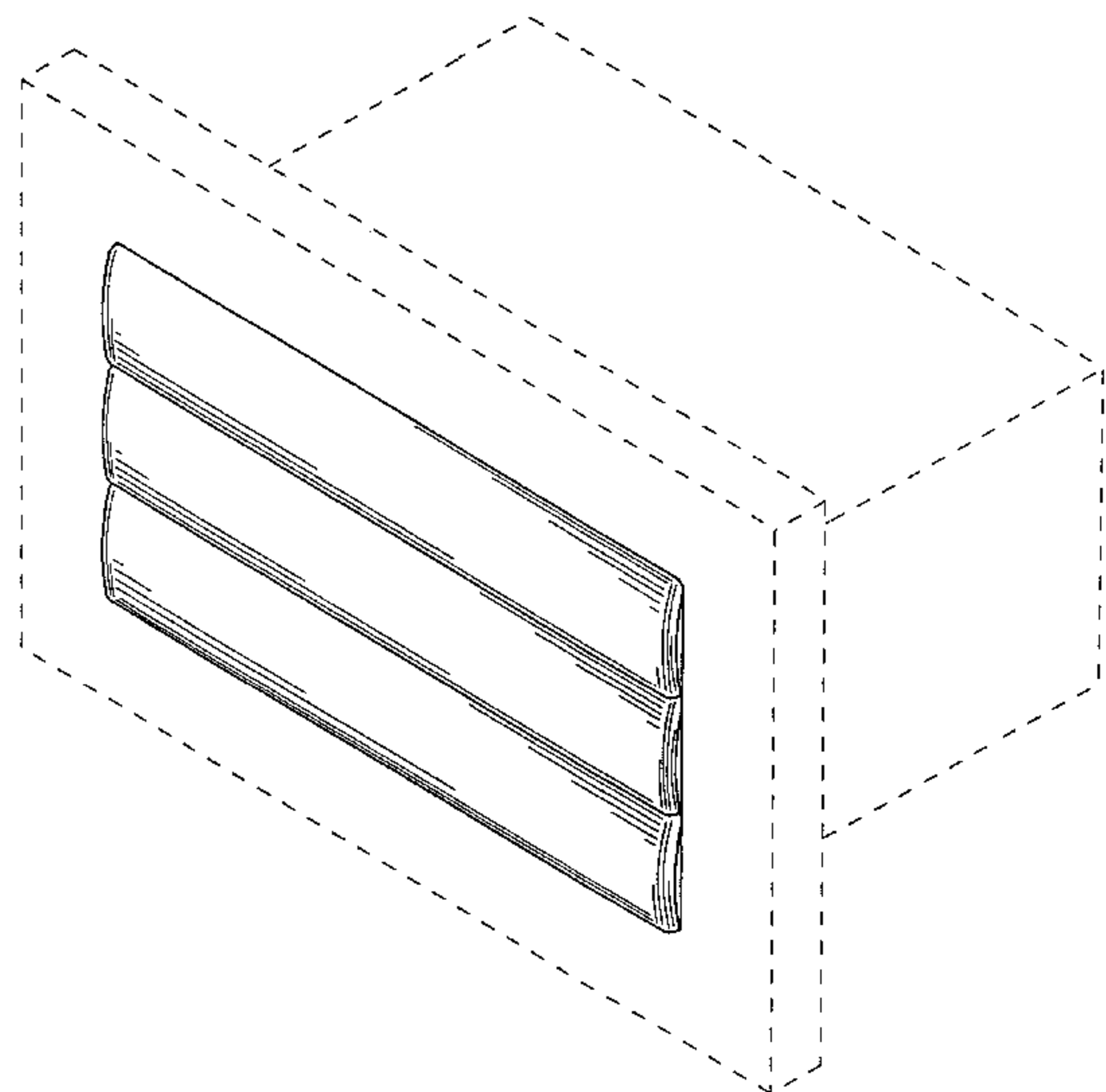
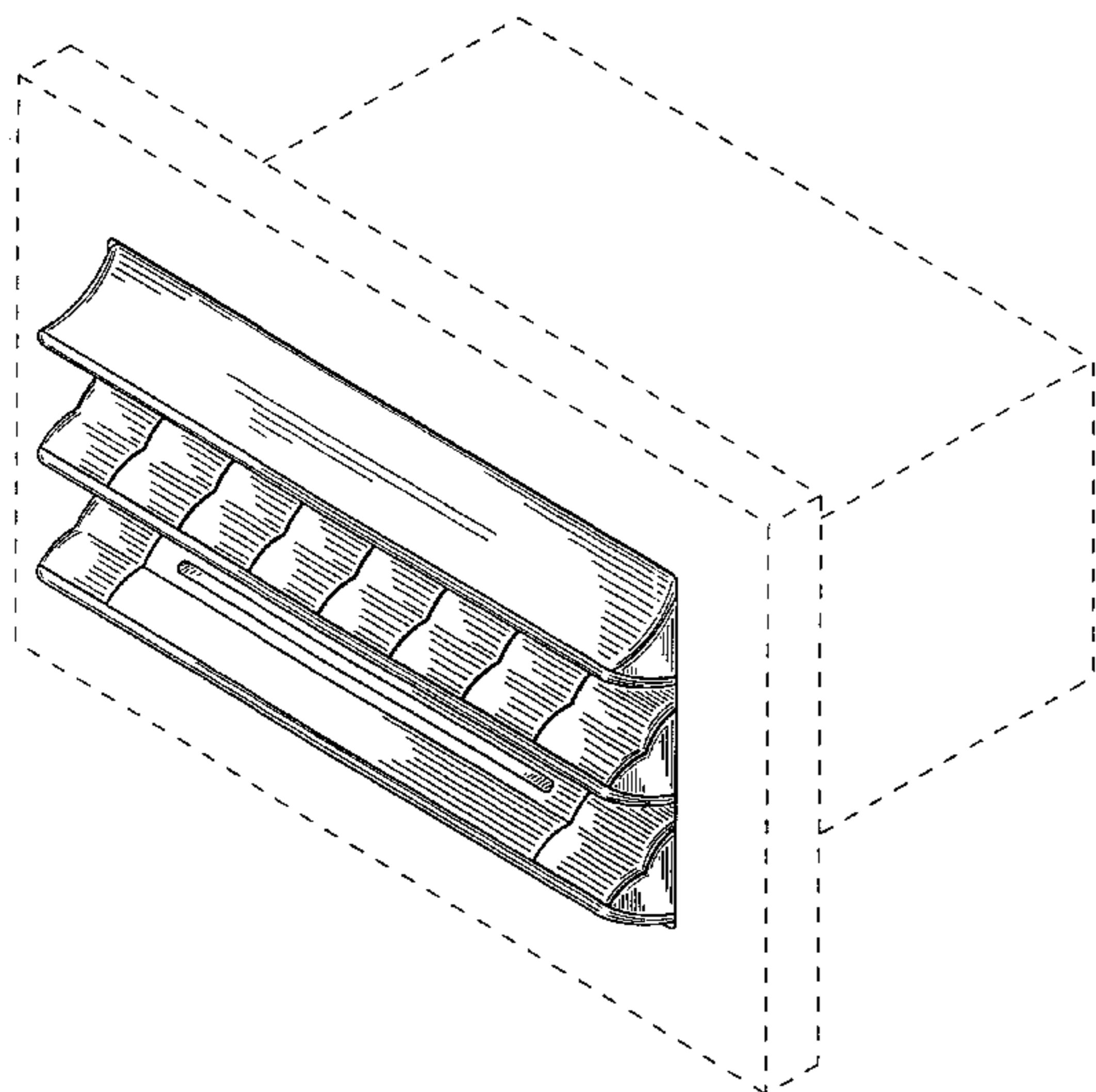
FIG. 10 is a right side view

FIG. 11 is a bottom plan view; and,

FIG. 12 is a top plan view.

The broken line showing on FIGS. 1-12 is for illustrative purposes only and forms no part of the claimed design.

**1 Claim, 12 Drawing Sheets**



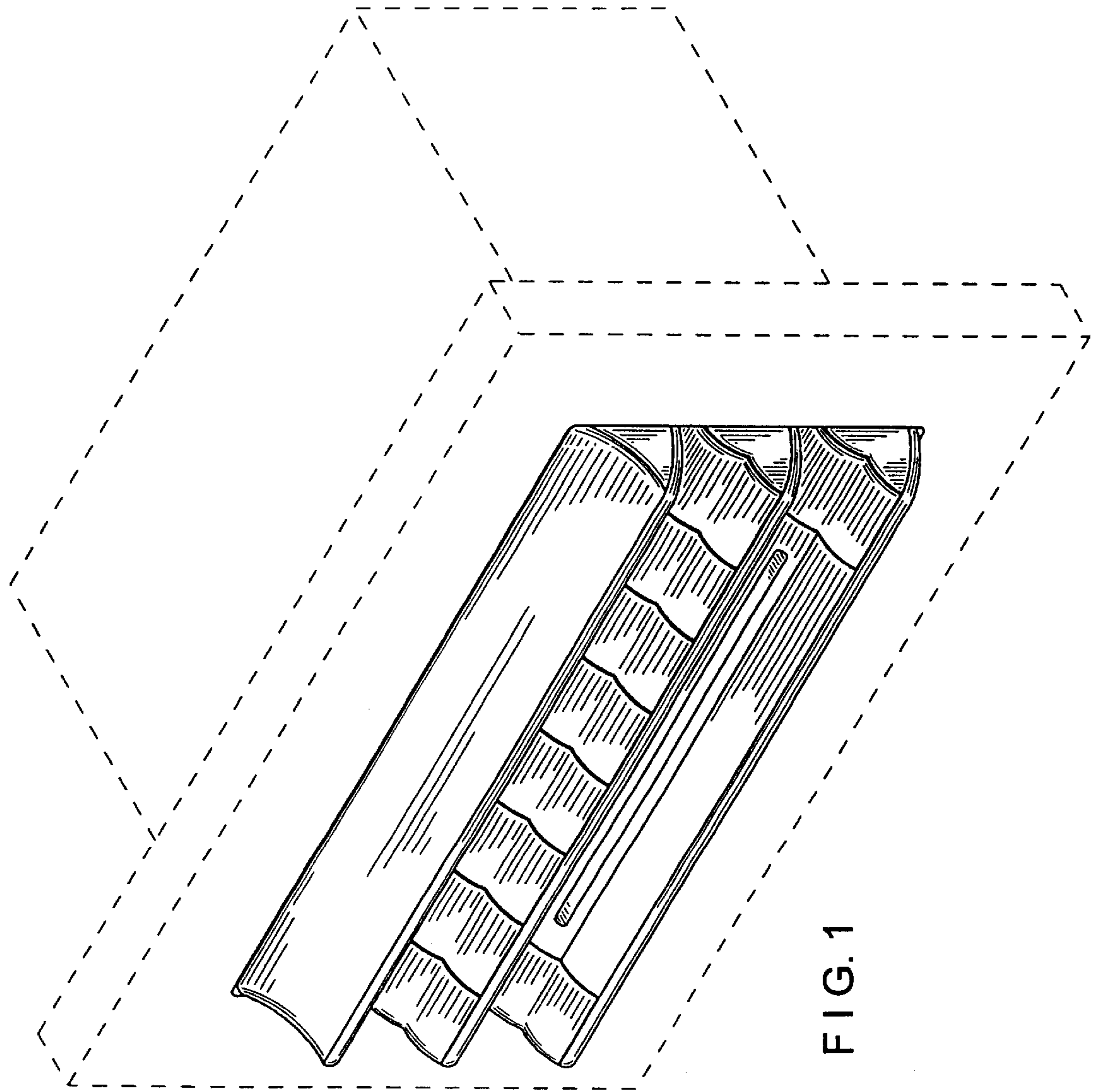


FIG. 1

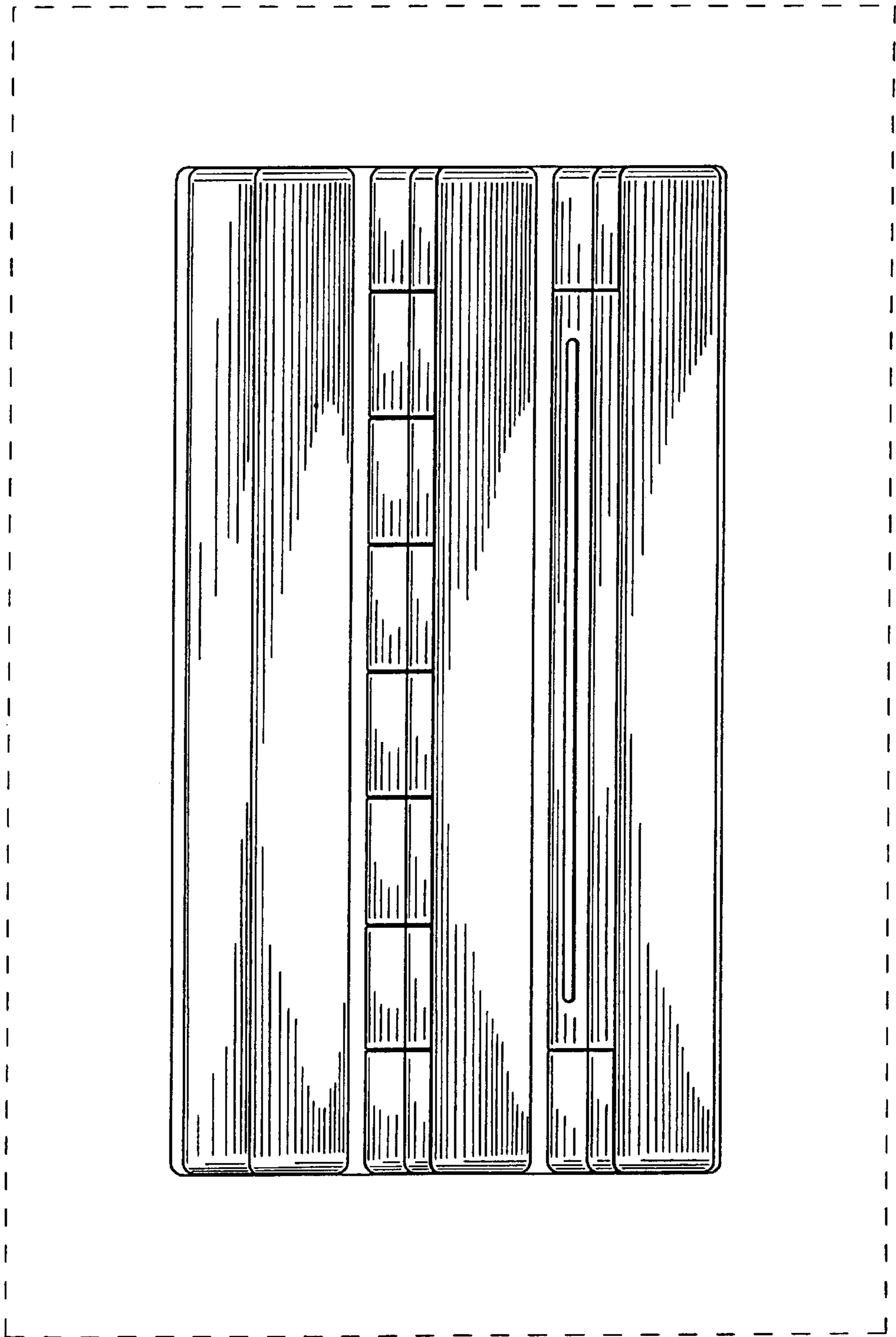


FIG. 2

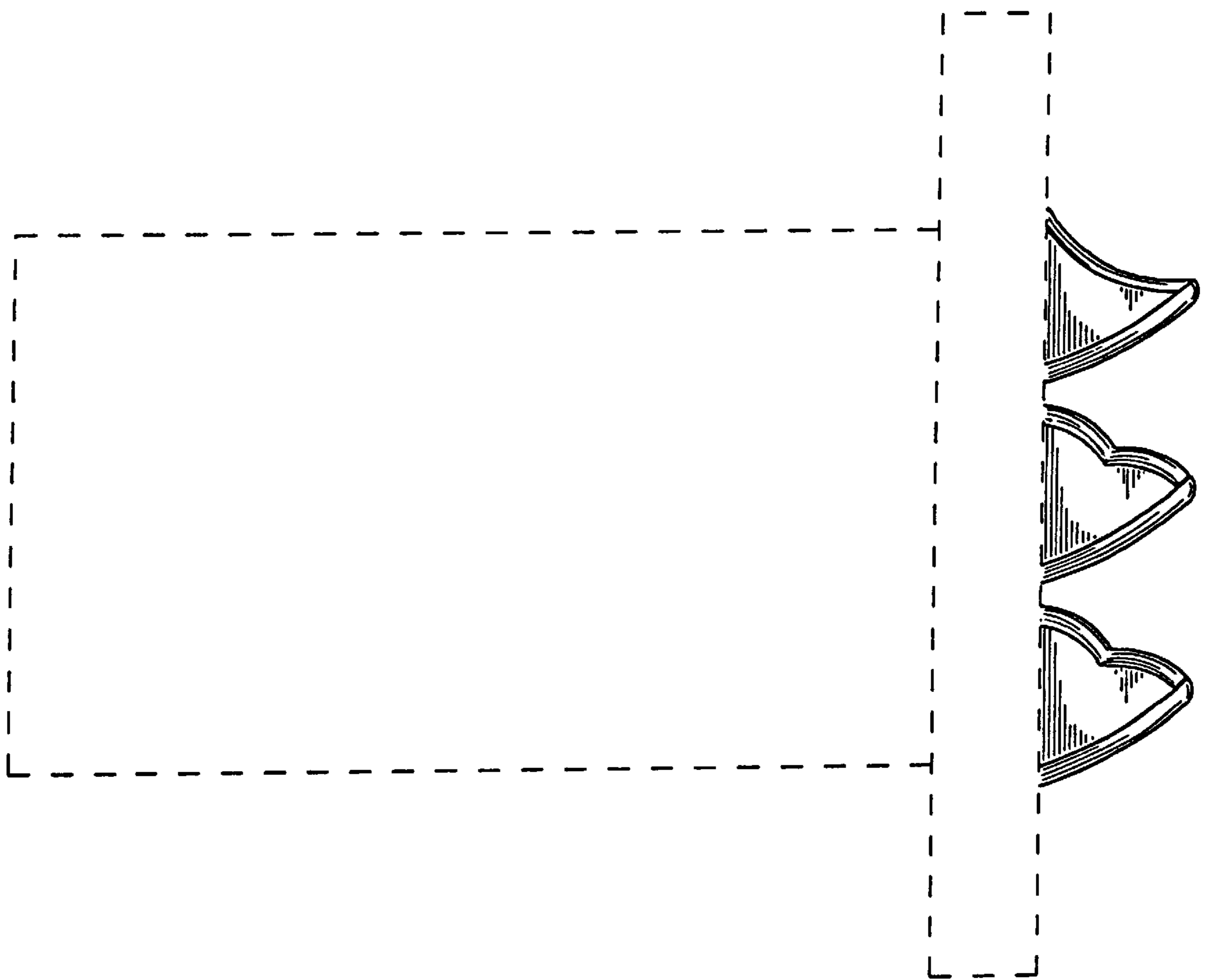


FIG. 3

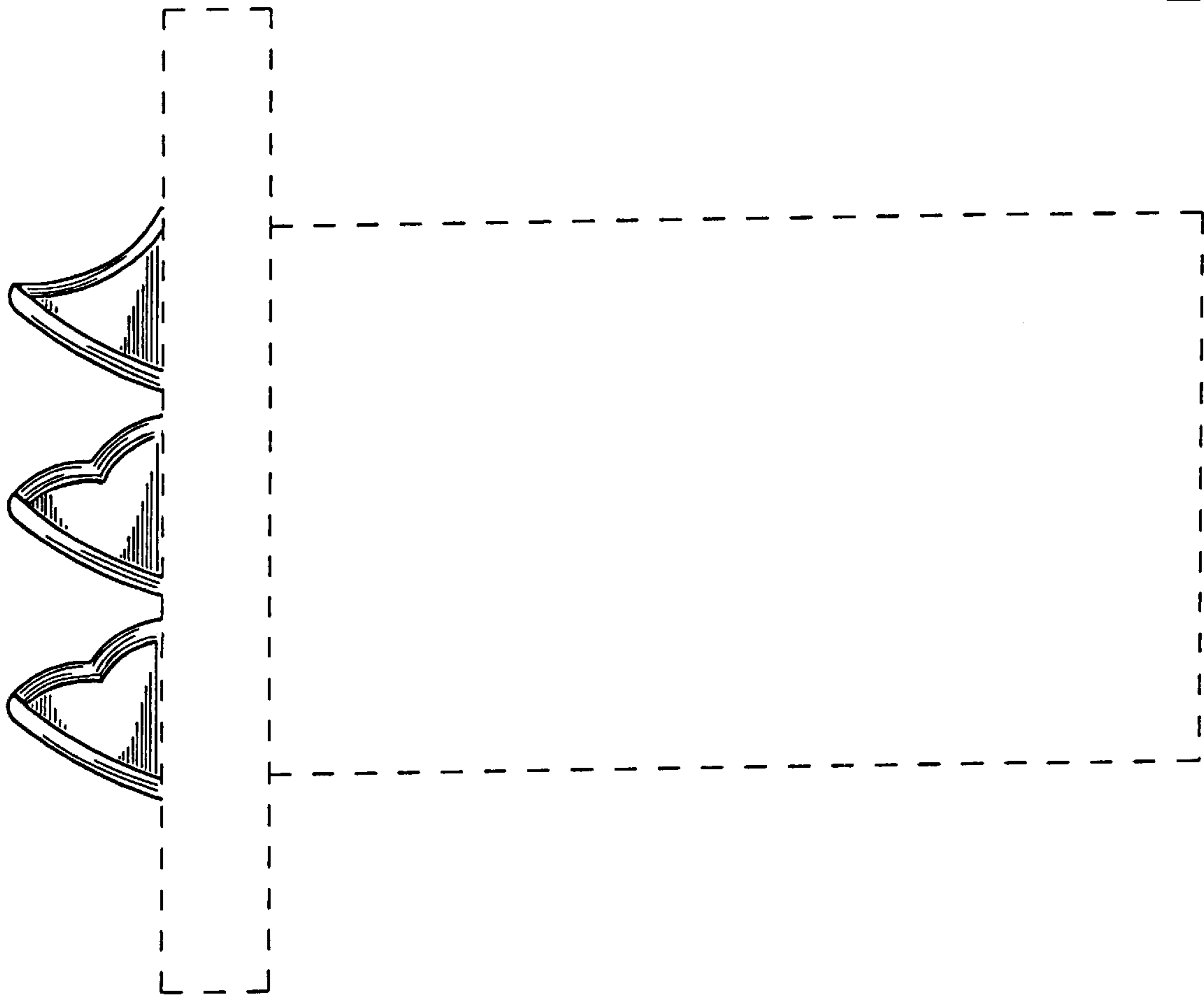


FIG. 4

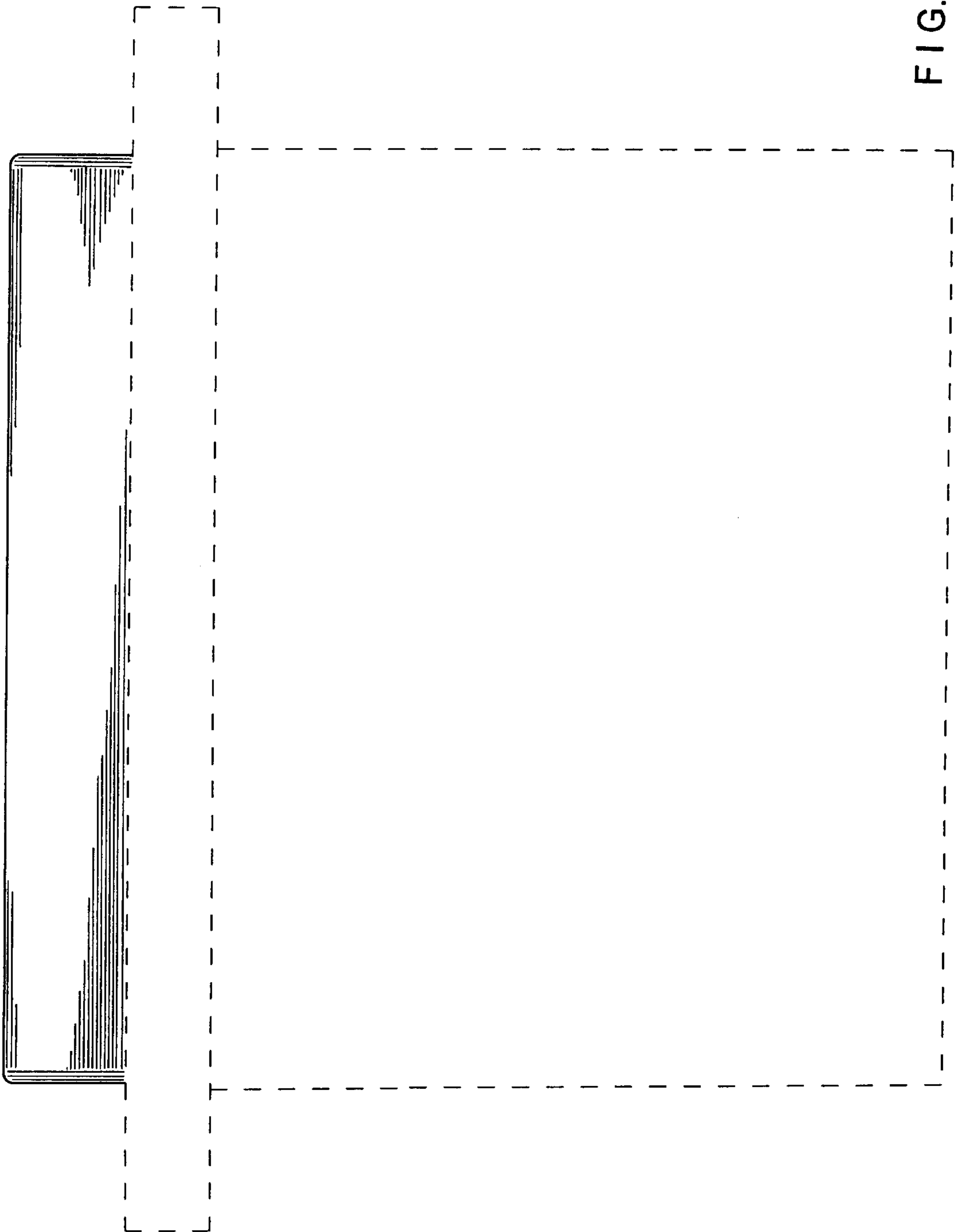


FIG. 5

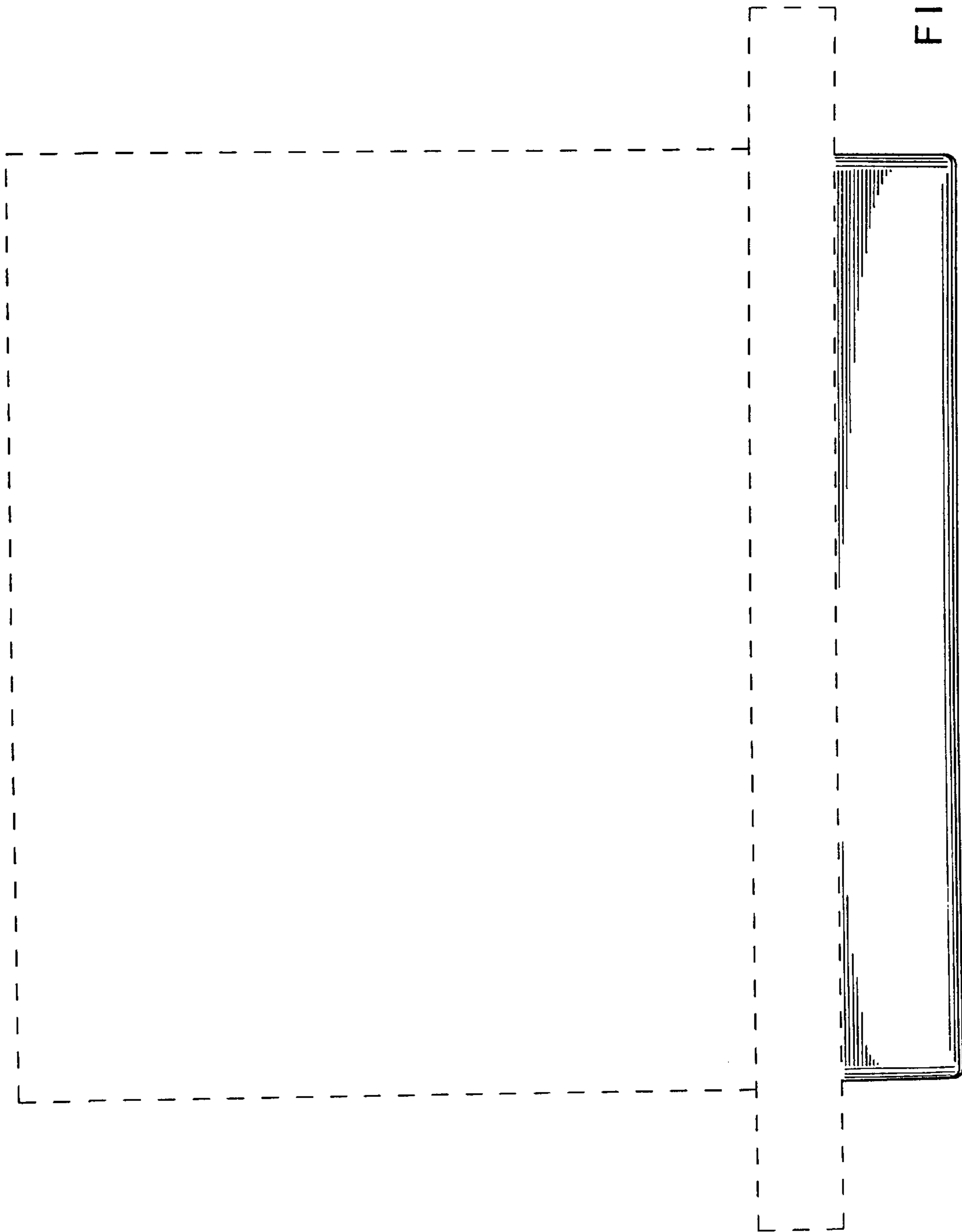


FIG. 6

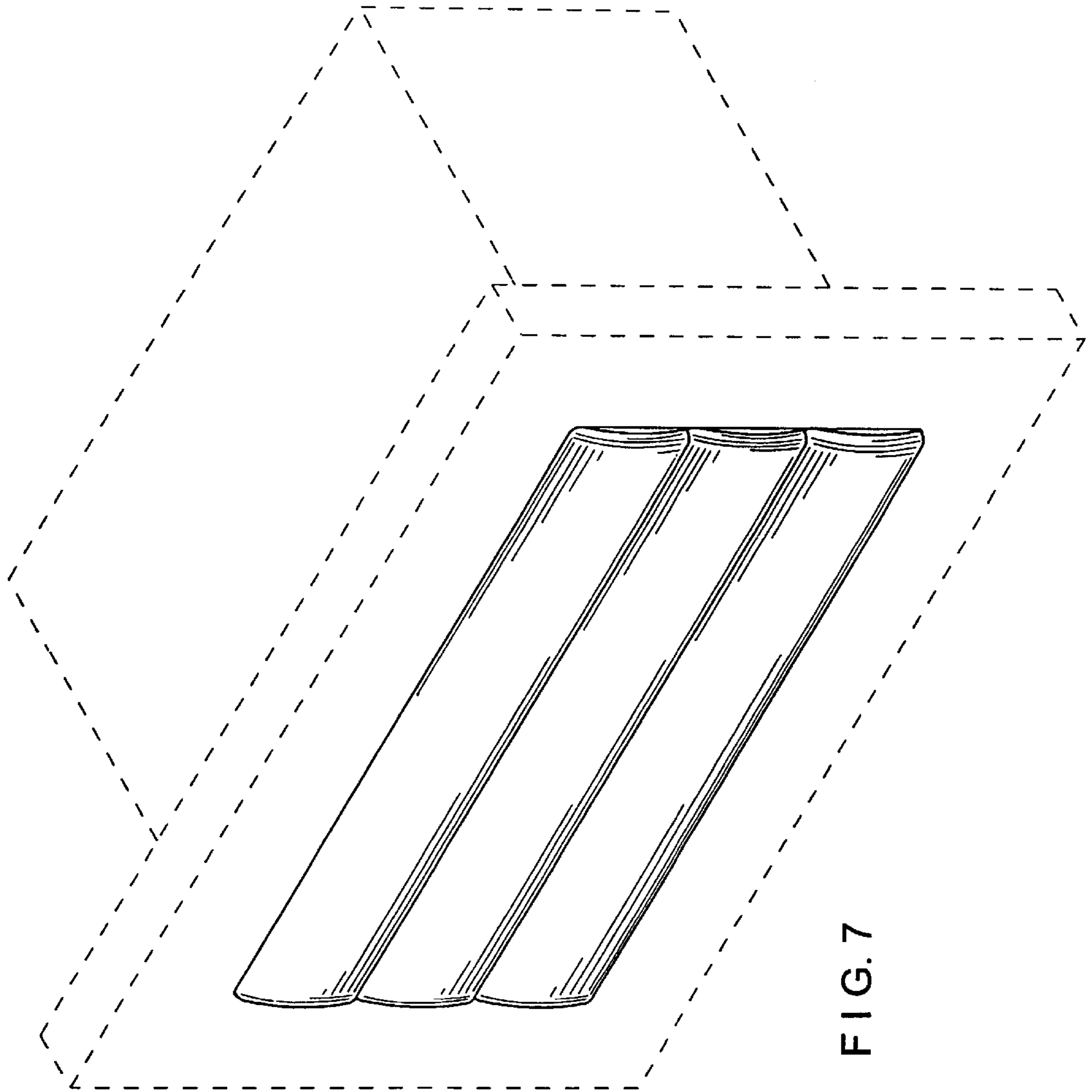


FIG. 7



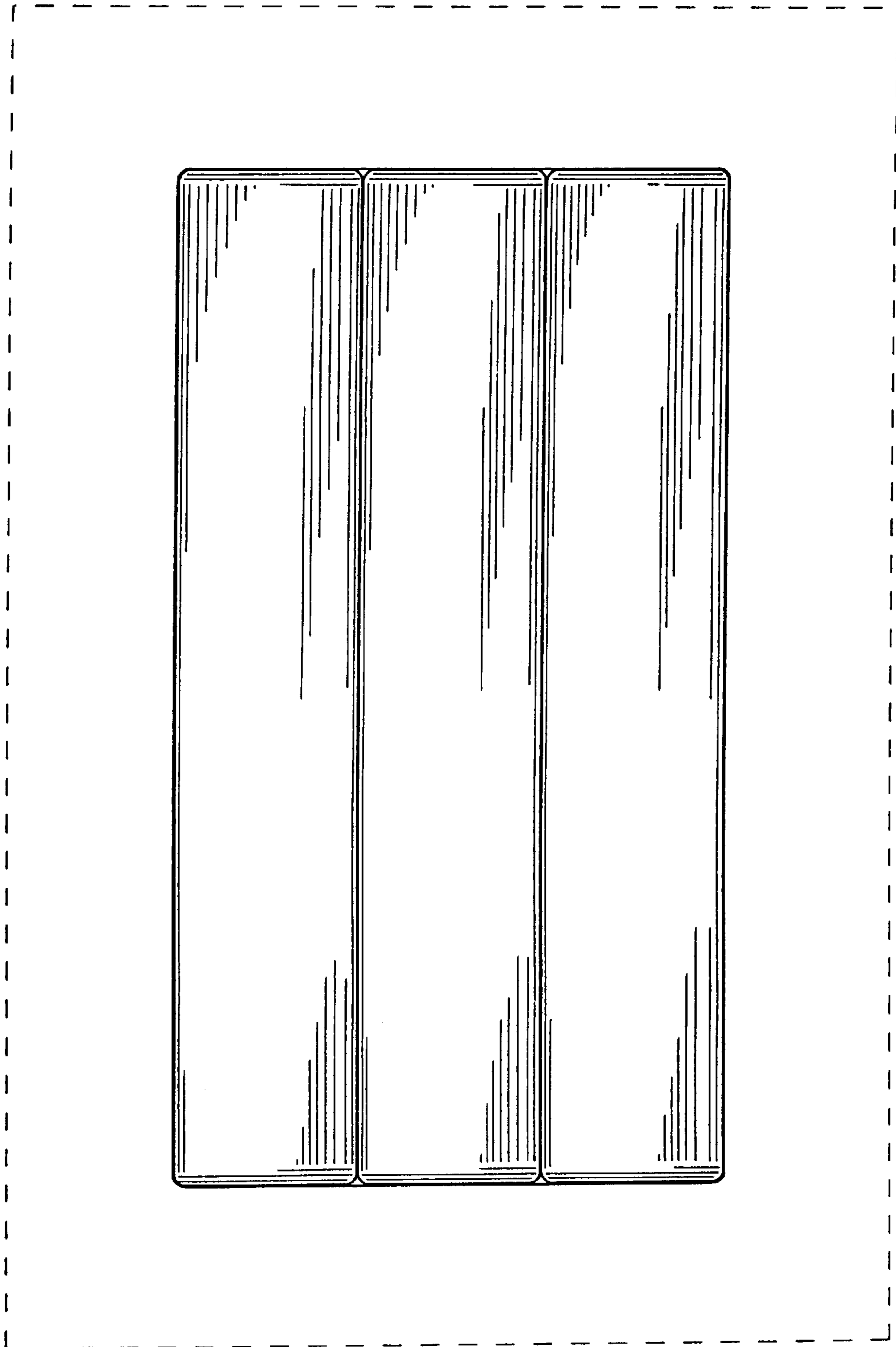


FIG. 8

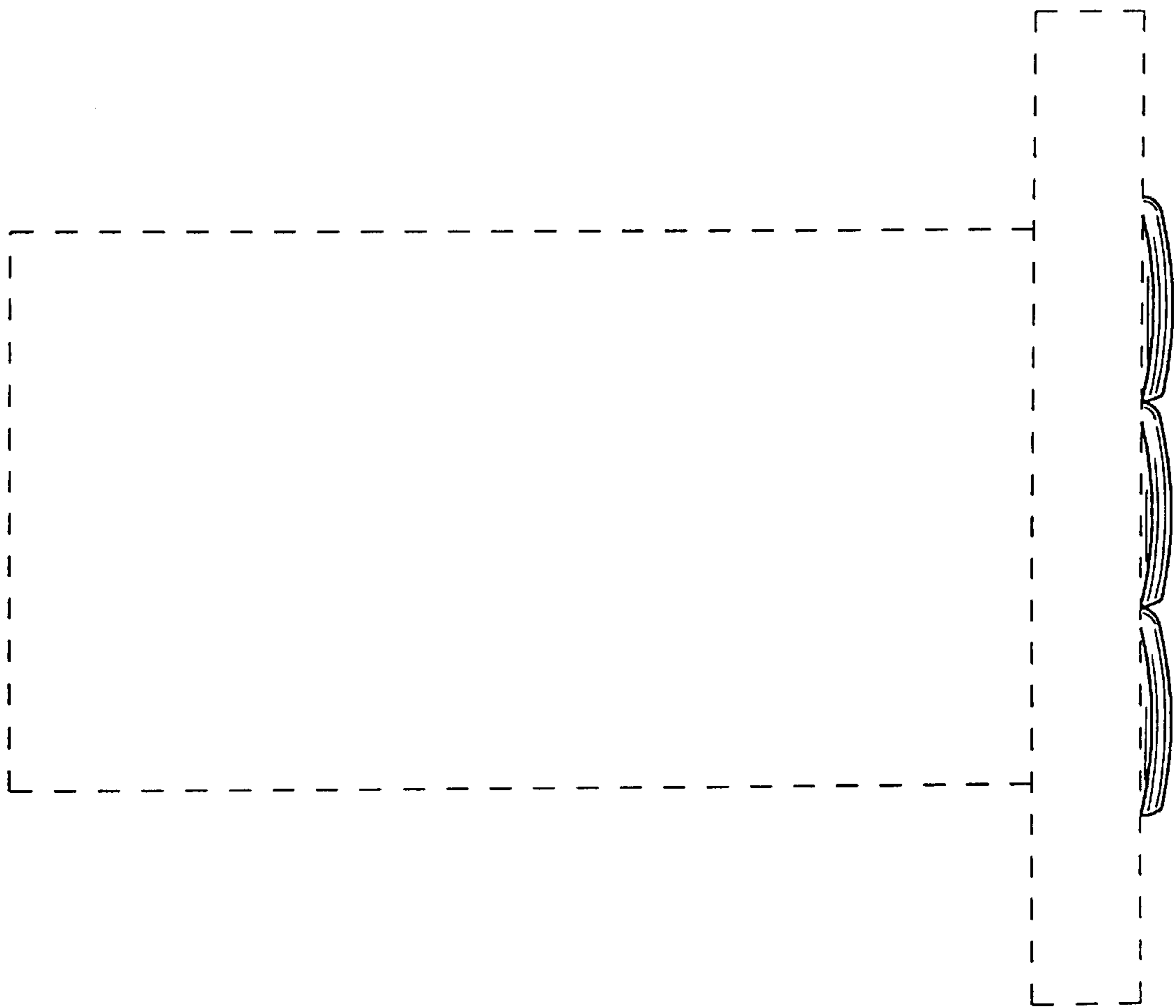


FIG. 9

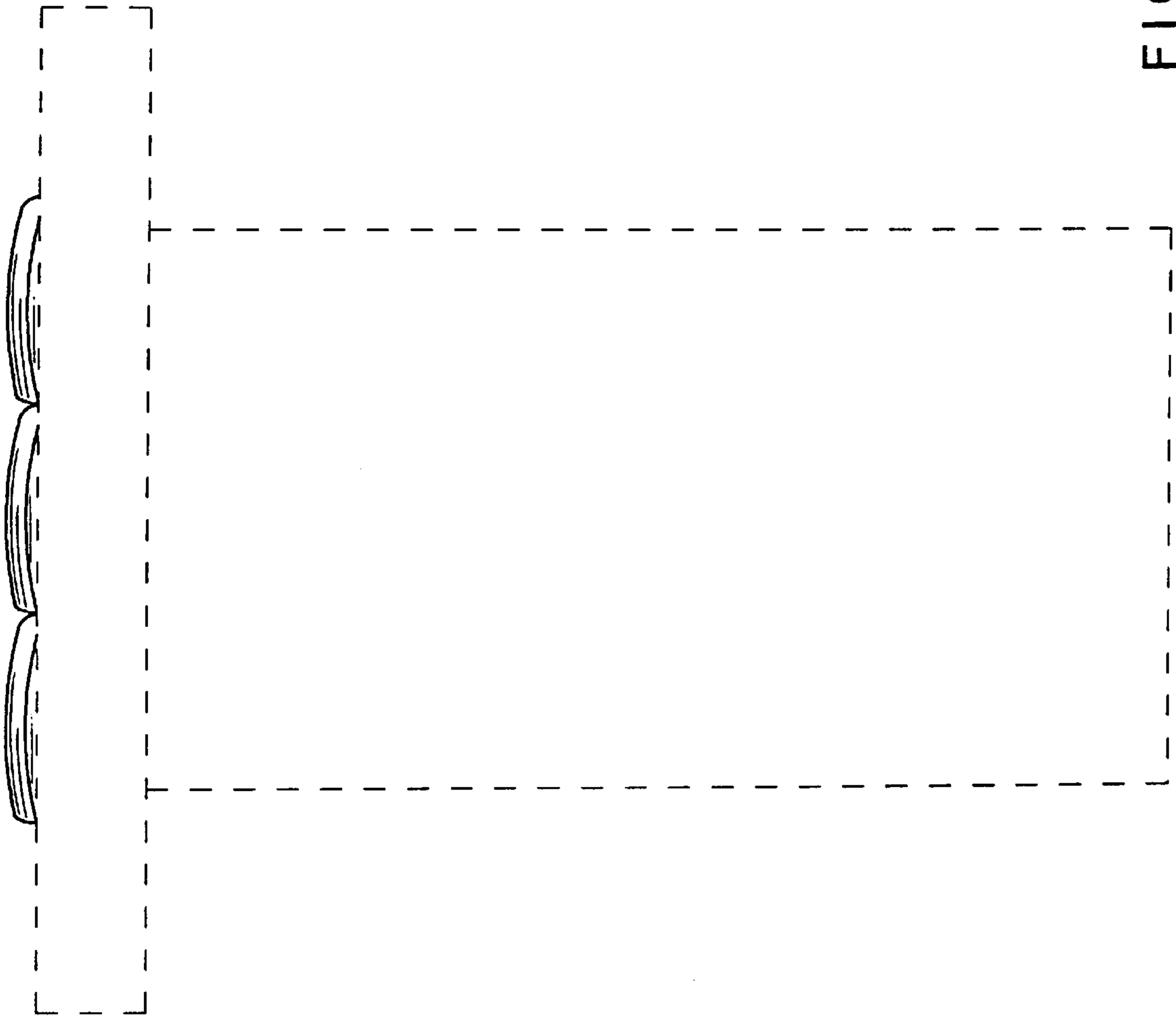


FIG. 10

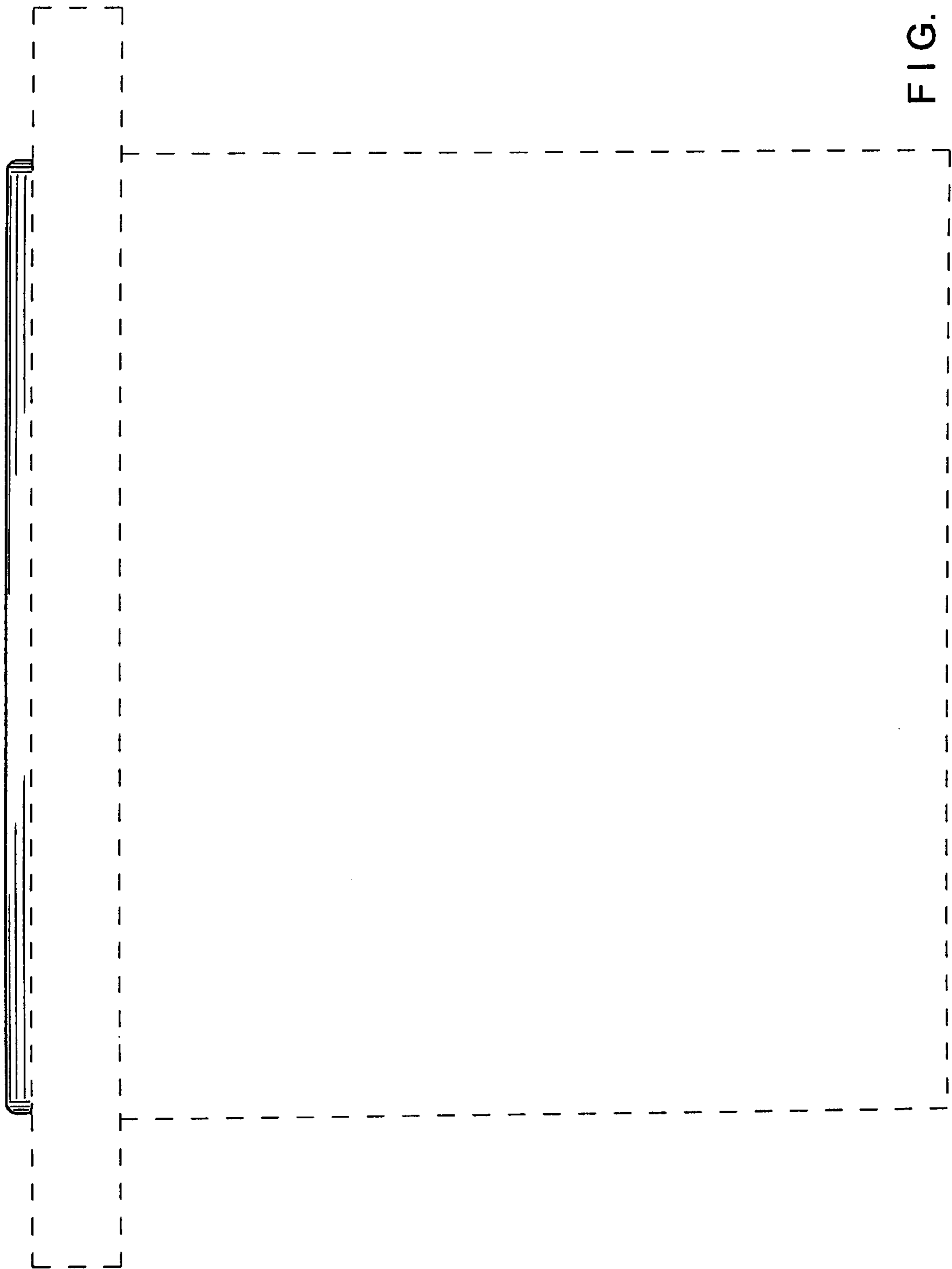


FIG. 11

