



US00D452233B1

(12) **United States Design Patent**
Kubik et al.

(10) **Patent No.:** **US D452,233 S**

(45) **Date of Patent:** **** Dec. 18, 2001**

(54) **RF WIRELESS MODEM**

(75) Inventors: **Randy James Kubik; David George Miller**, both of Calgary (CA)

(73) Assignee: **Novatel Wireless, Inc.**, San Diego, CA (US)

(**) Term: **14 Years**

(21) Appl. No.: **29/133,108**

(22) Filed: **Nov. 21, 2000**

(51) **LOC (7) Cl.** **14-01**

(52) **U.S. Cl.** **D14/242**

(58) **Field of Search** D14/125, 257,
D14/140, 142, 299, 433, 434, 356-358,
435-438, 308, 349, 353, 240, 242, 155,
159, 141, 352, 439; 379/419, 420, 428,
440, 406, 93.01, 93.28; 455/550-575, 90;
D13/184; 361/600, 622, 724-728; 375/220-225

(56) **References Cited**

U.S. PATENT DOCUMENTS

D. 272,342	*	1/1984	Cheng	D14/435
D. 292,399	*	10/1987	Yukawa	D14/435
D. 311,911	*	11/1990	Ueno et al.	D14/242
D. 330,370	*	10/1992	Tseng	D14/435
D. 361,570	*	8/1995	Harris et al.	D14/242
D. 363,289	*	10/1995	Kobayashi et al.	D14/242
D. 364,399	*	11/1995	Long	D14/433

D. 368,911	*	4/1996	Lam	D14/242
D. 374,675	*	10/1996	Sakai et al.	D14/242
D. 380,199	*	6/1997	Beruscha et al.	D13/184
D. 380,205	*	6/1997	Bares	D14/242
D. 395,314	*	6/1998	Oikawa	D14/242
D. 408,384	*	4/1999	Hata et al.	D14/433
D. 414,481	*	9/1999	Wu	D14/436
D. 416,547	*	11/1999	Lee et al.	D14/434
D. 426,549	*	6/2000	Carlson	D14/433
5,739,665	*	4/1998	Bares	320/115
6,229,507	*	5/2001	Nakamura et al.	345/82

* cited by examiner

Primary Examiner—Jeffrey Asch

(74) *Attorney, Agent, or Firm*—Coudert Brothers

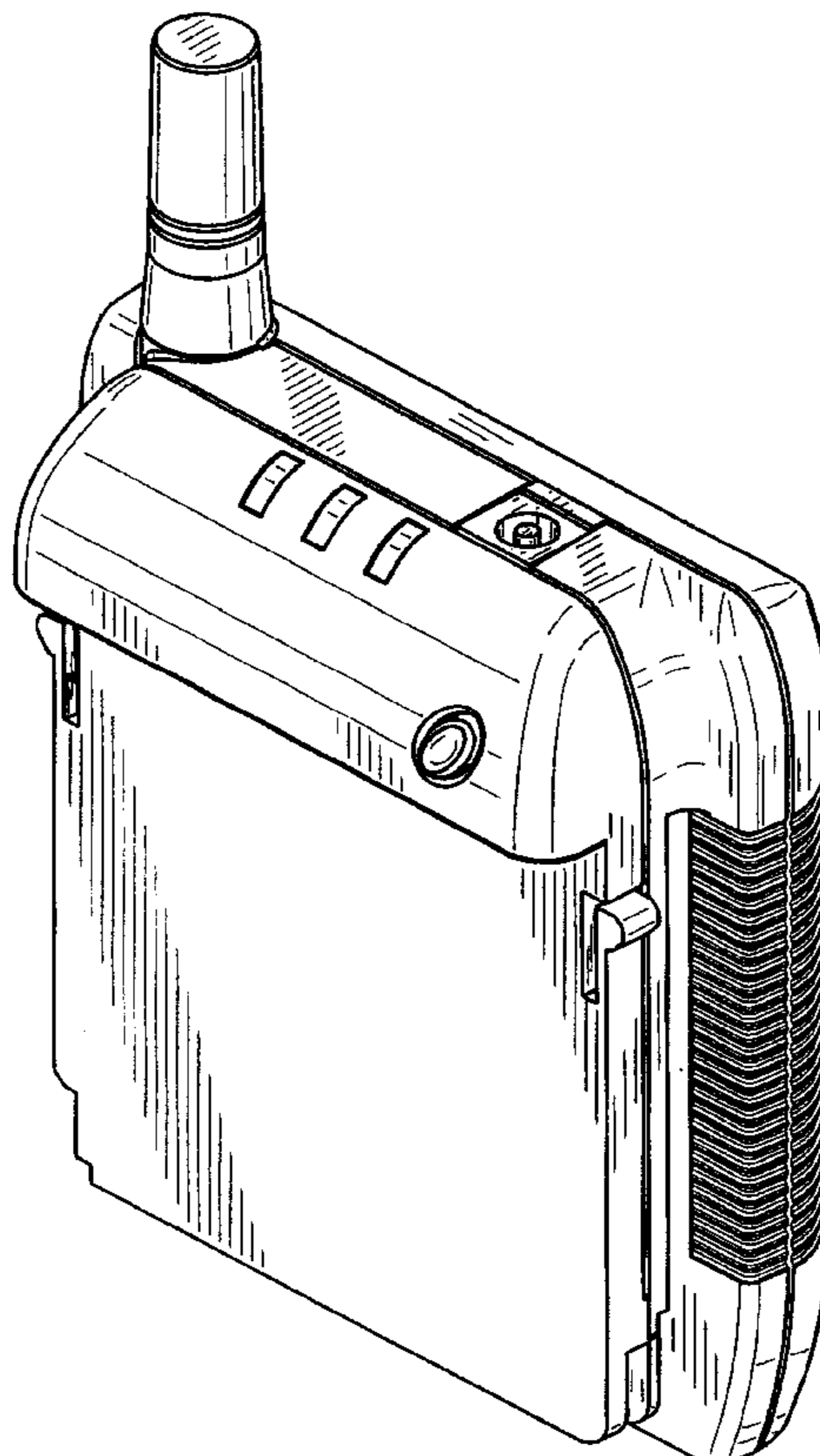
(57) **CLAIM**

The ornamental design for an RF wireless modem, as shown and described.

DESCRIPTION

FIG. 1 is a front perspective view of an RF wireless modem according to the present invention;
FIG. 2 is a front view of an RF wireless modem according to the present invention;
FIG. 3 is a back view thereof;
FIG. 4 is a top view thereof;
FIG. 5 is a bottom view thereof;
FIG. 6 is a right side view thereof; and,
FIG. 7 is a left side view thereof.

1 Claim, 3 Drawing Sheets



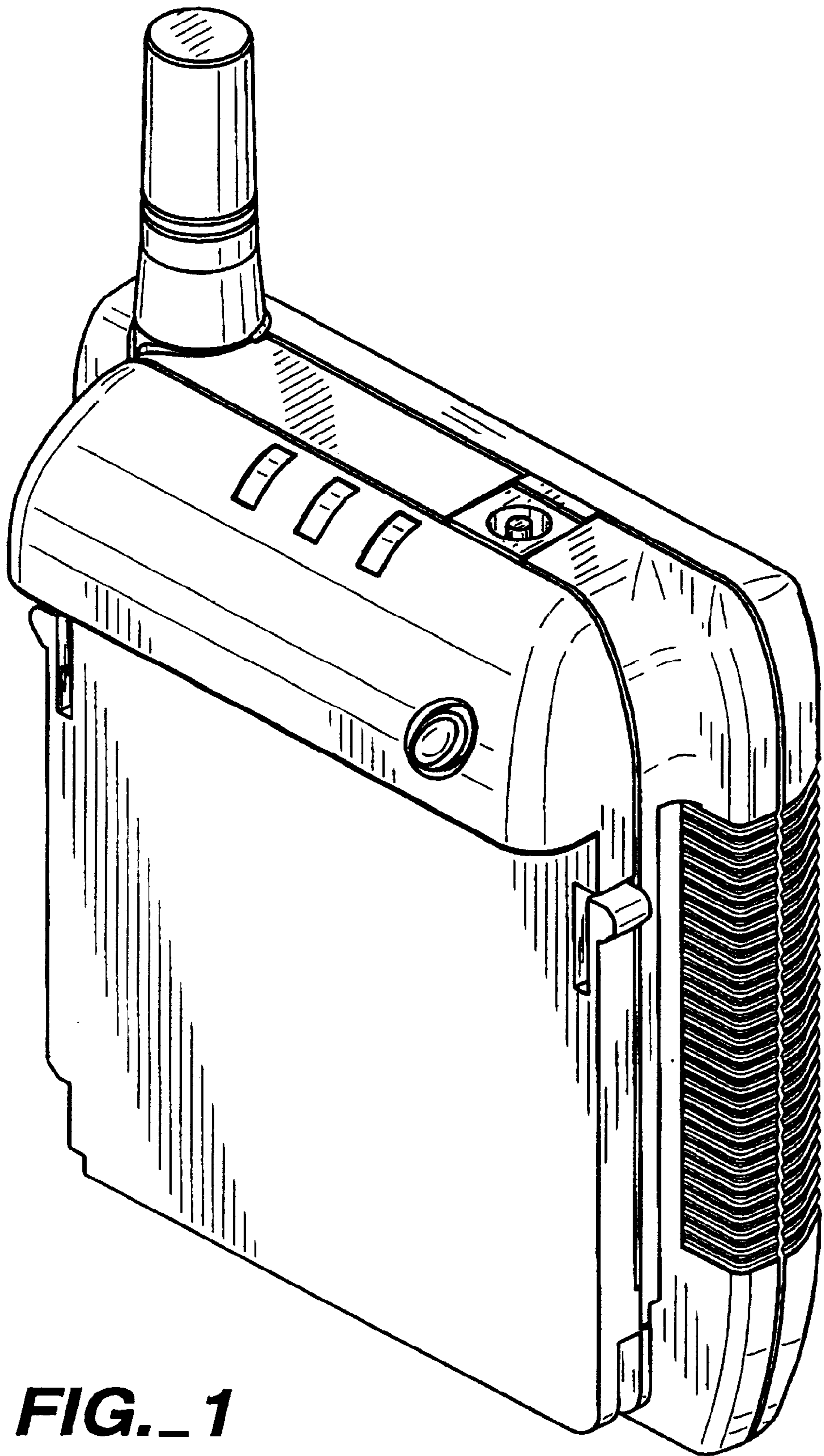


FIG. 1

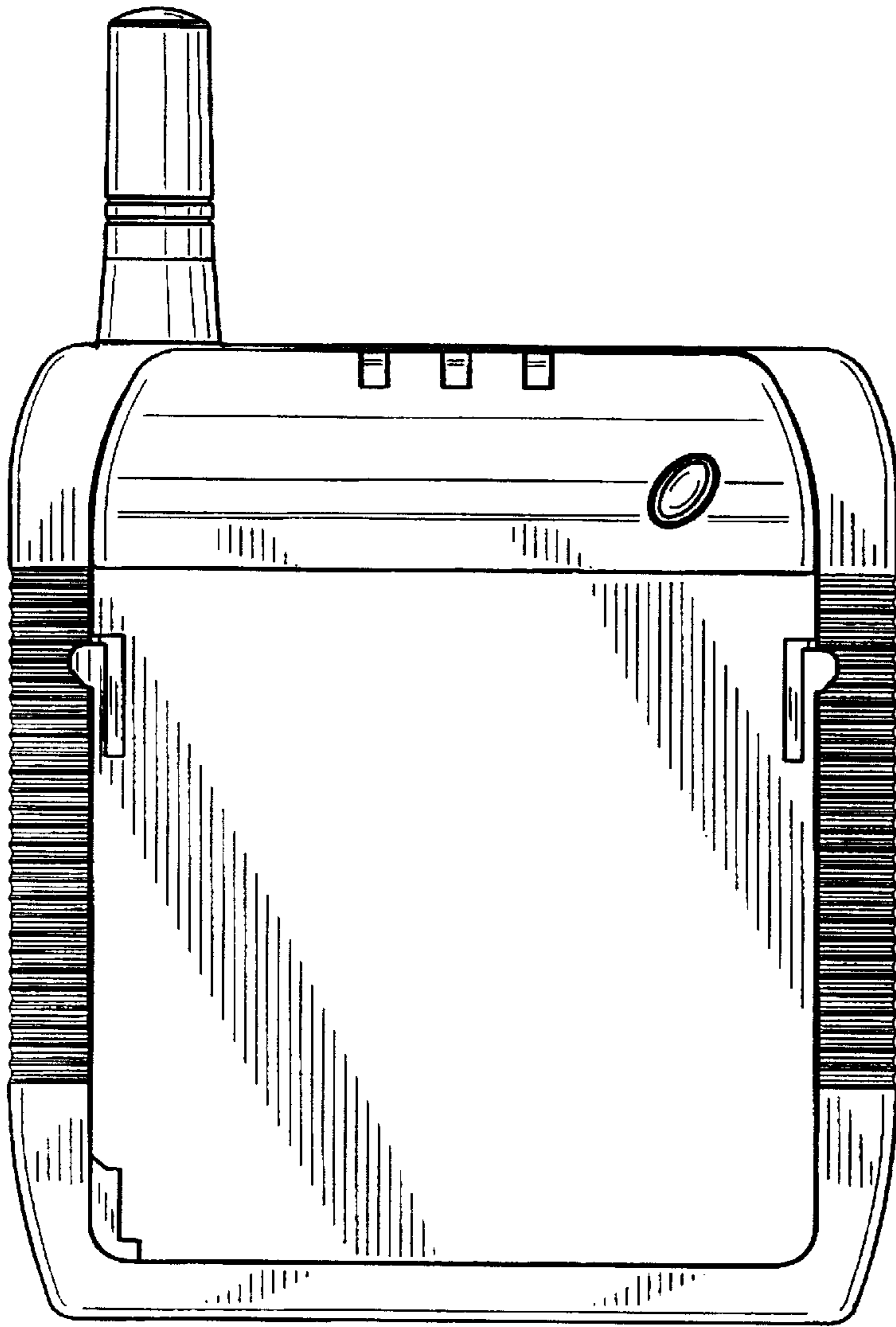


FIG. 2

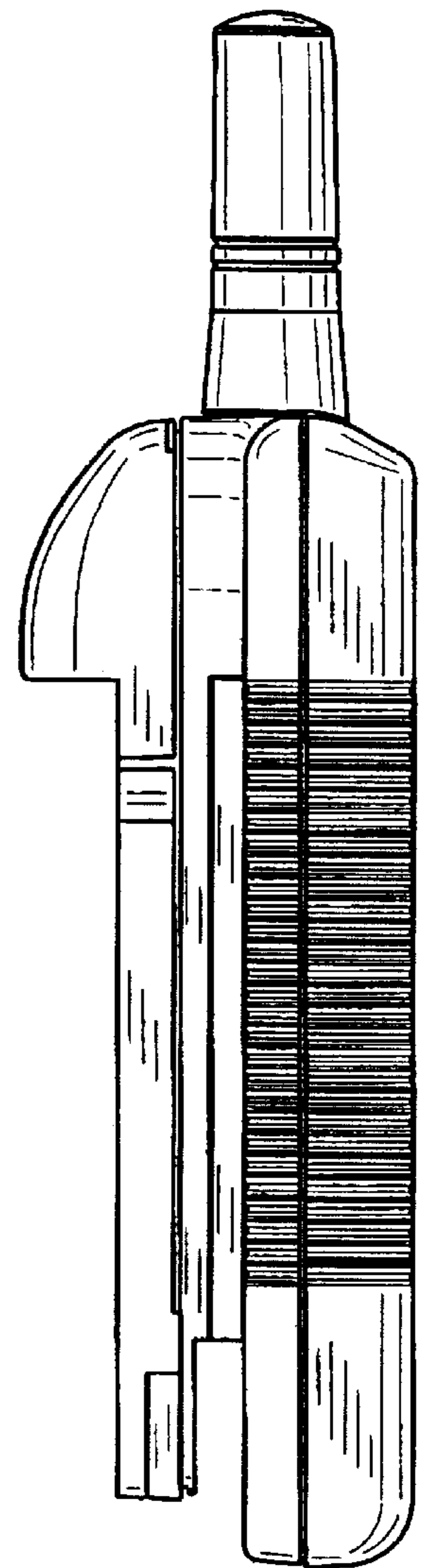


FIG. 6

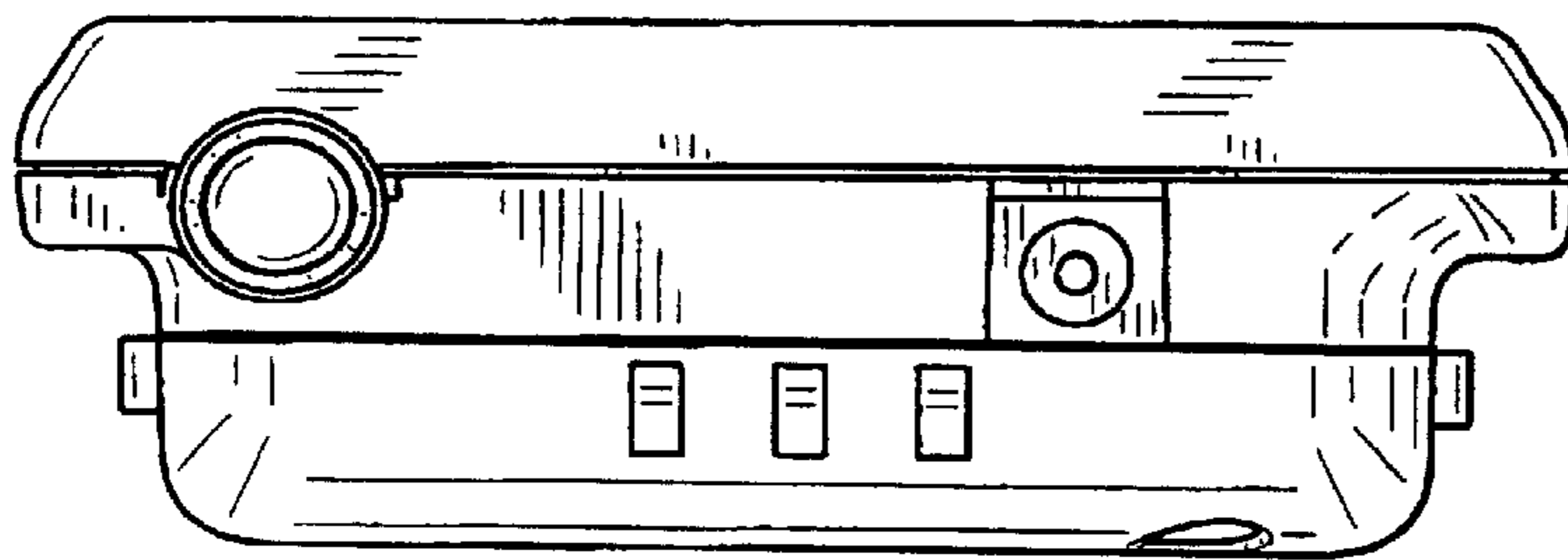


FIG. 4

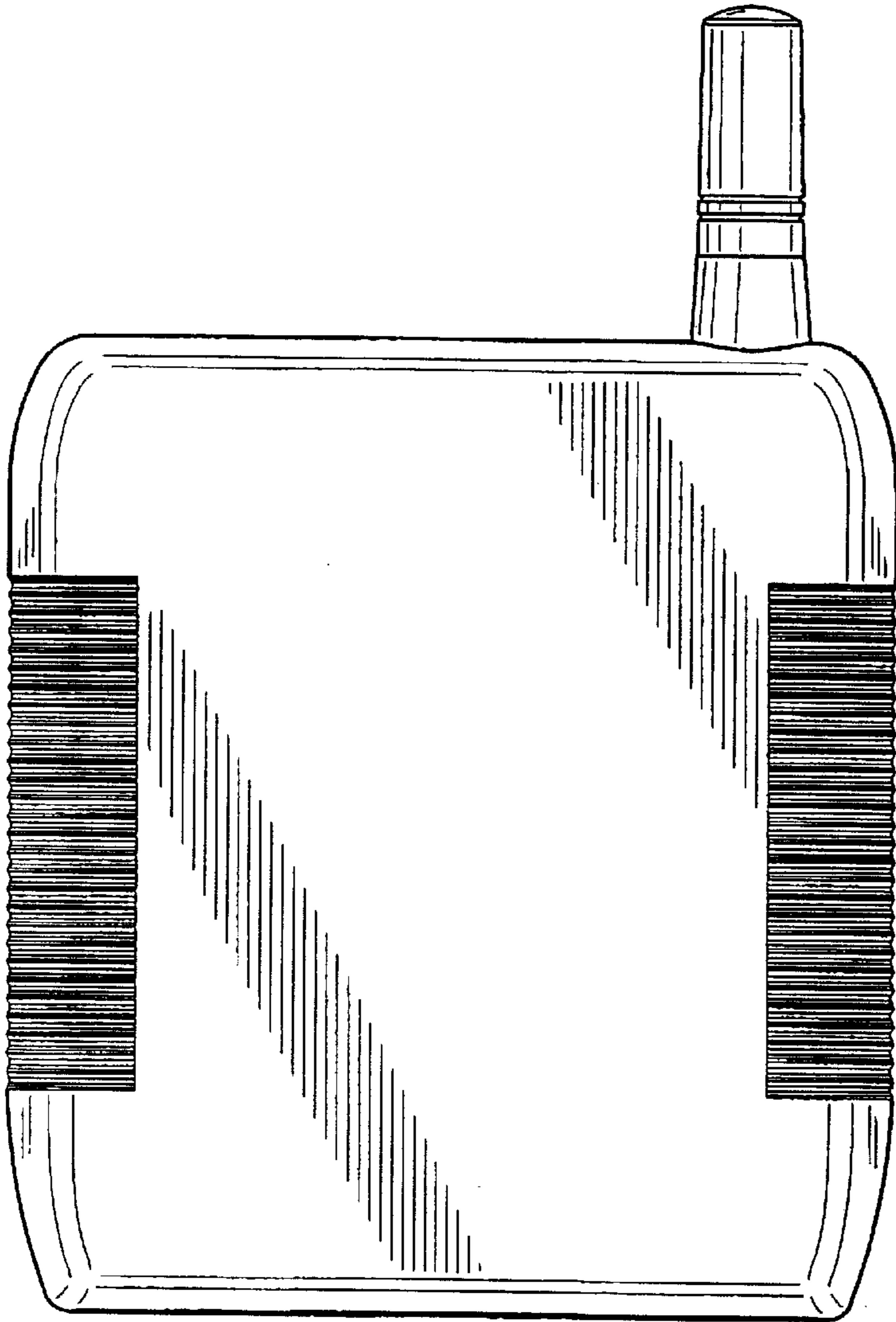


FIG._3

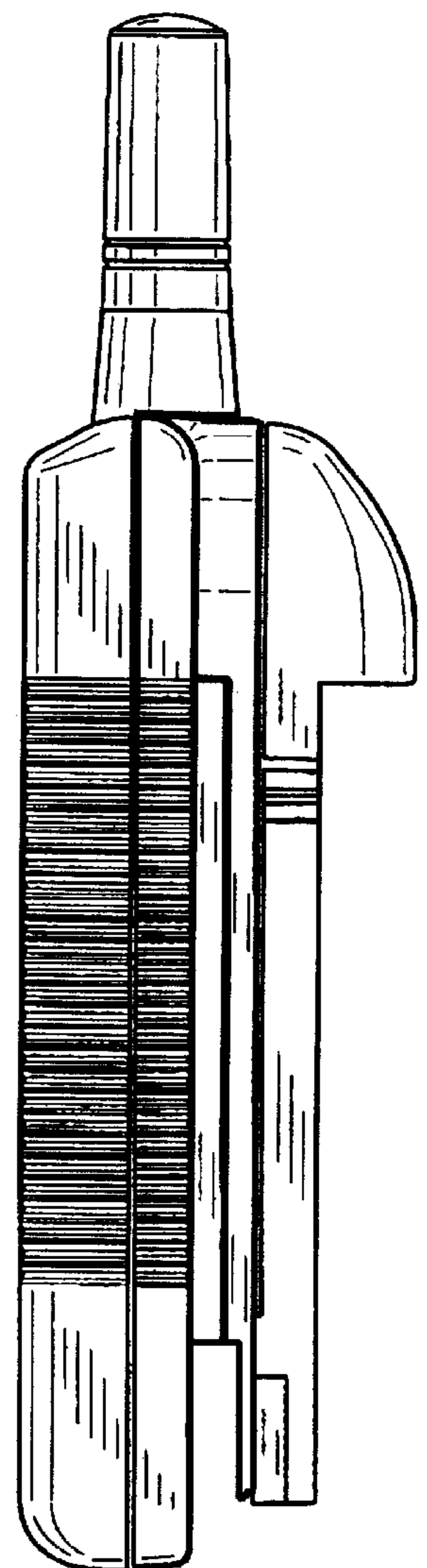


FIG._7

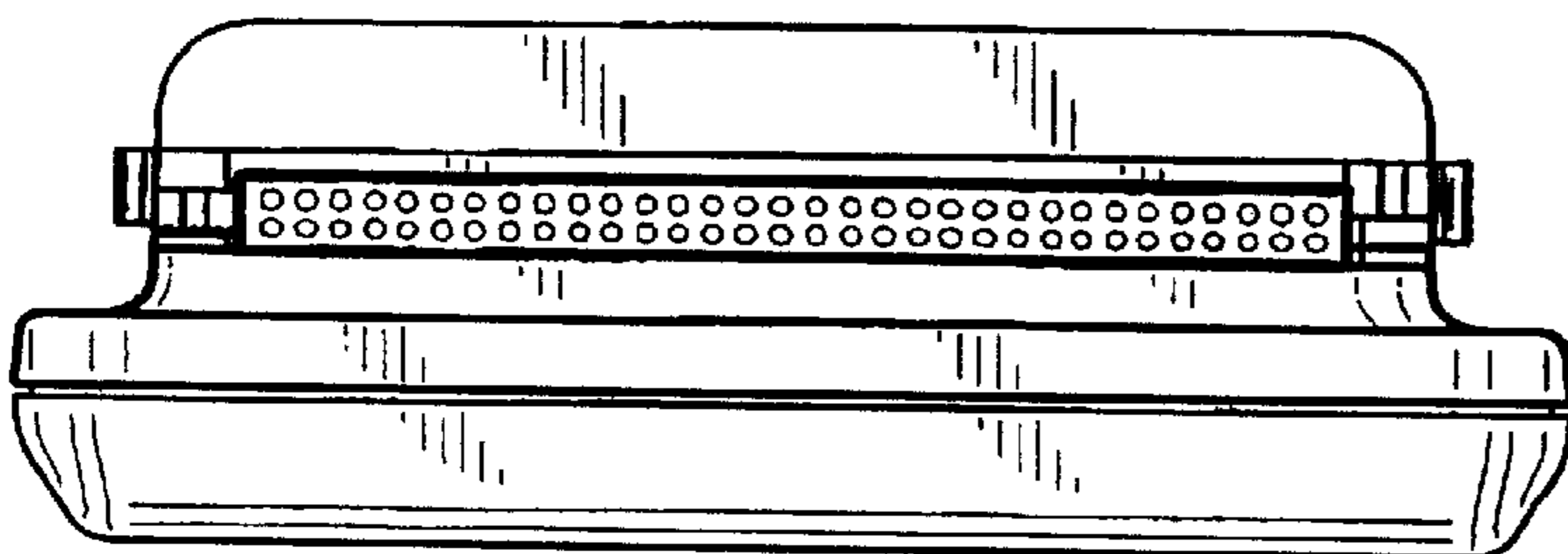


FIG._5