



US00D452232B1

(12) **United States Design Patent**
Hayasaka et al.

(10) **Patent No.:** **US D452,232 S**

(45) **Date of Patent:** **** Dec. 18, 2001**

(54) **TRANSMITTER AND RECEIVER FOR VIDEO INCLUDING A CAMERA**

(75) Inventors: **Sigeki Hayasaka; Yoshiaki Ohta; Yoshinao Segawa**, all of Tokyo (JP)

(73) Assignee: **NEC Corporation**, Tokyo (JP)

(**) Term: **14 Years**

(21) Appl. No.: **29/117,484**

(22) Filed: **Jan. 28, 2000**

(30) **Foreign Application Priority Data**

Jul. 30, 1999 (JP) 11-20564

(51) **LOC (7) Cl.** **14-03**

(52) **U.S. Cl.** **D14/240; D14/317; D14/358**

(58) **Field of Search** D14/137, 130, D14/140, 142, 358, 241, 240, 242, 356, 357, 333-340, 317, 327, 363, 374, 155, 159, 126, 132, 129; D16/202; 379/419, 420, 428, 440, 399, 412; 455/550-575, 90; D13/184; 348/14.01, 14.02

(56) **References Cited**

U.S. PATENT DOCUMENTS

D. 315,896	*	4/1991	Brown	D14/100
D. 316,262	*	4/1991	Kikutani	D14/141
D. 324,044	*	2/1992	Katayama	D14/129
D. 330,048	*	10/1992	Cheung et al.	D14/327
D. 331,394	*	12/1992	Kobayashi et al.	D14/242
D. 338,003	*	8/1993	Nakayama	D14/136
D. 342,501	*	12/1993	Saeki et al.	D14/126
D. 352,944	*	11/1994	Lee	D14/151

D. 357,685	*	4/1995	Reardon et al.	D14/242
D. 377,648	*	1/1997	Young	D14/136
D. 382,265	*	8/1997	Bradley et al.	D14/149
D. 389,815	*	1/1998	Schnatzmeyer	D14/106
D. 391,926	*	3/1998	Brunner et al.	D14/100
D. 406,145	*	2/1999	Radakovic	D14/242
D. 412,900	*	8/1999	Utsugi	D14/136
D. 414,764	*	10/1999	Hwang et al.	D14/130
D. 416,015	*	11/1999	Mitchell	D14/132
D. 435,526	*	12/2000	Huang et al.	D14/130
D. 442,153	*	5/2001	Lavelle et al.	D14/126
4,646,158	*	2/1987	Ohno et al.	348/794
4,747,135	*	5/1988	Banko	379/436
5,825,408	*	10/1998	Yuyama et al.	348/14

* cited by examiner

Primary Examiner—Jeffrey Asch

(74) *Attorney, Agent, or Firm*—Sughrue, Mion, Zinn, Macpeak & Seas, PLLC

(57) **CLAIM**

The ornamental design for a transmitter and receiver for video including a camera, as shown.

DESCRIPTION

FIG. 1 is a perspective view of the top, front and right side of a transmitter and receiver for video including a camera showing our new design;

FIG. 2 is a right side elevational view thereof;

FIG. 3 is a left side elevational view thereof;

FIG. 4 is a front elevational view thereof;

FIG. 5 is a rear elevational view thereof;

FIG. 6 is a top plan view thereof; and,

FIG. 7 is a bottom plan view thereof.

1 Claim, 4 Drawing Sheets

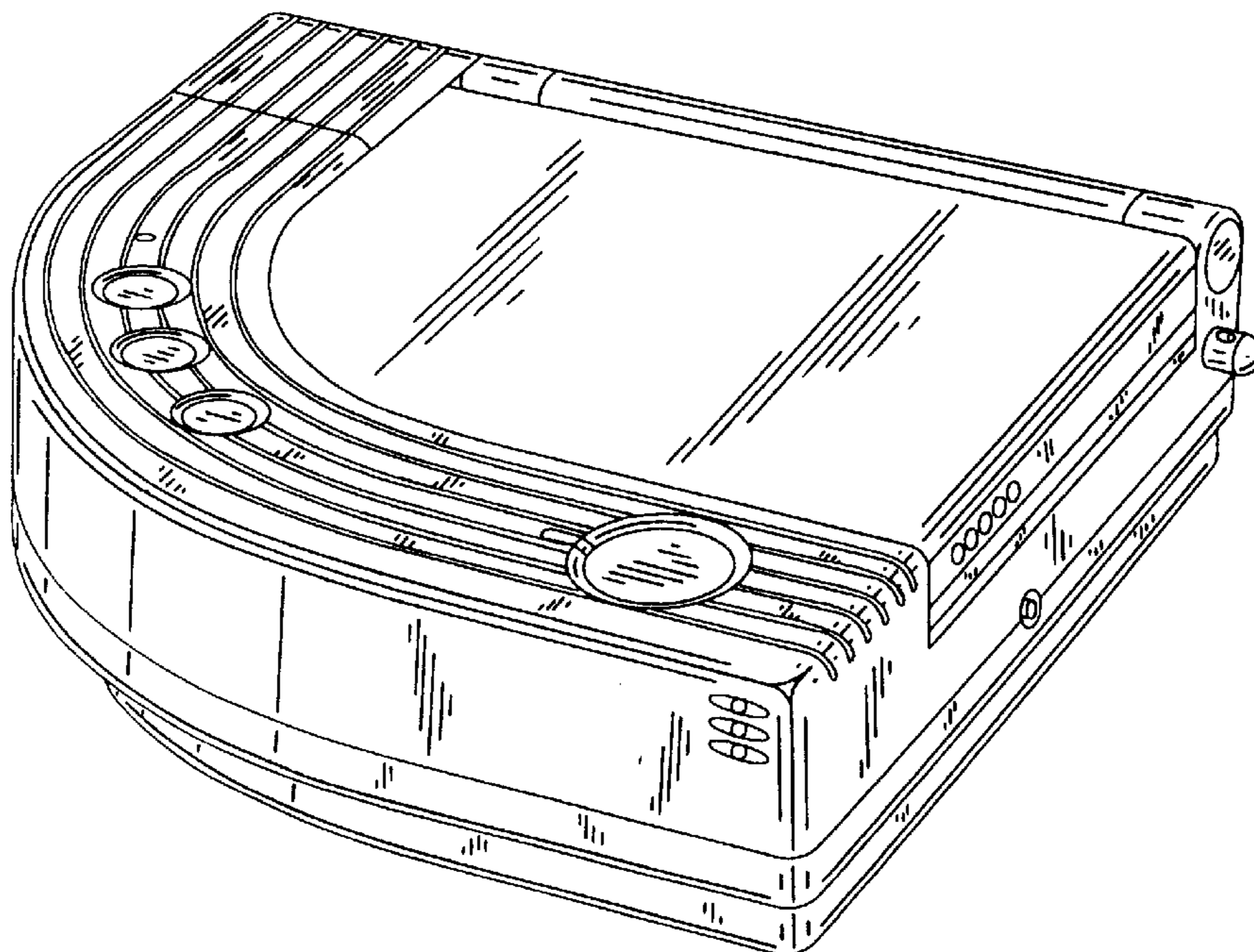


FIG. 1

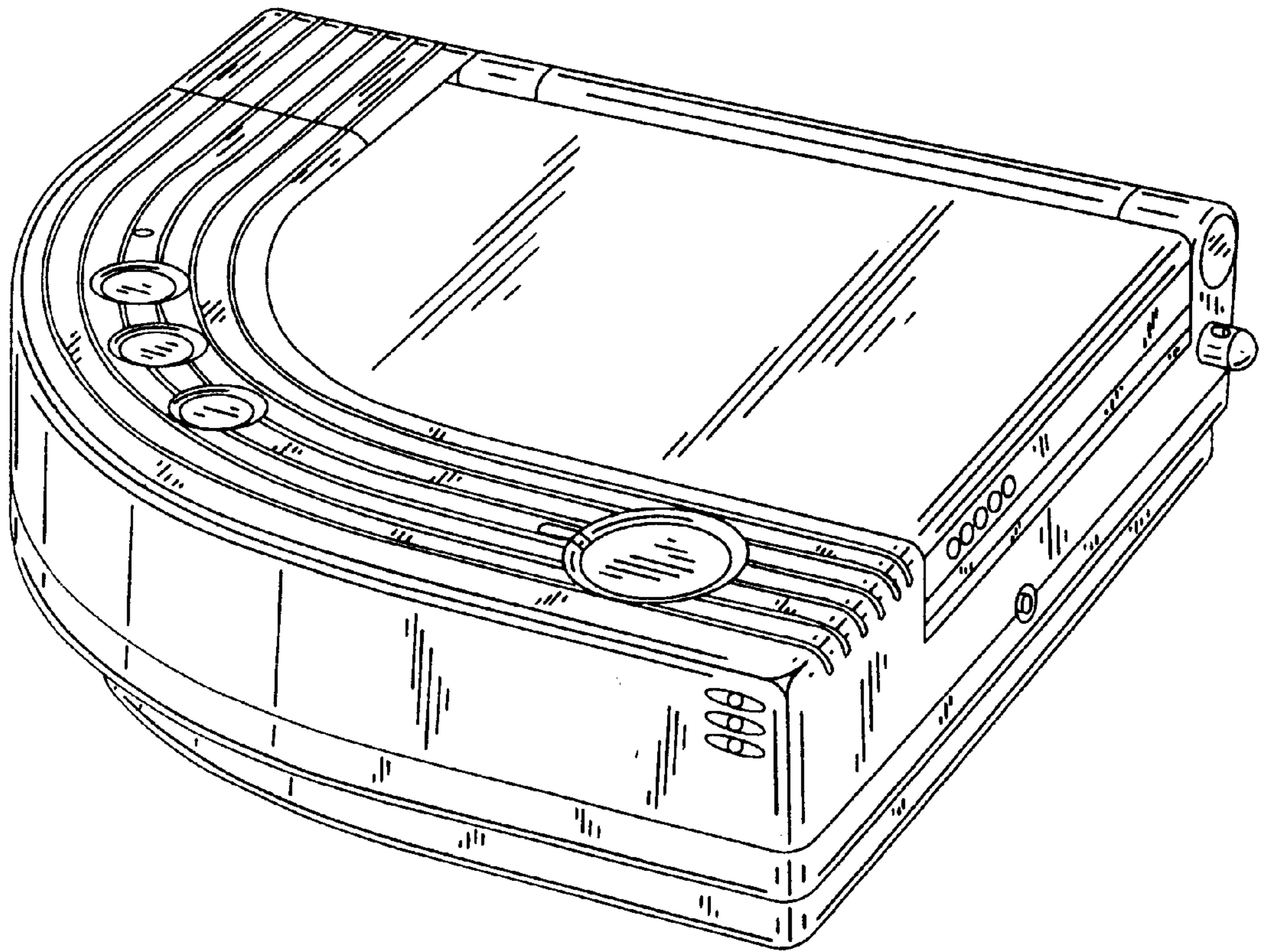


FIG. 2

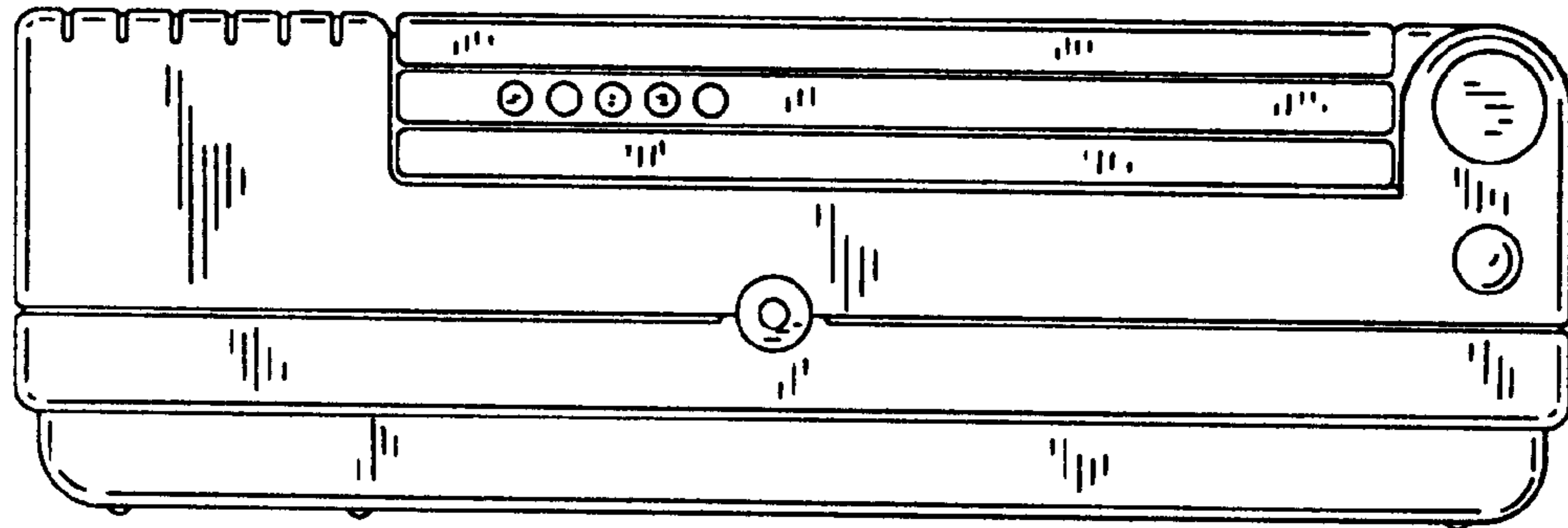


FIG. 3

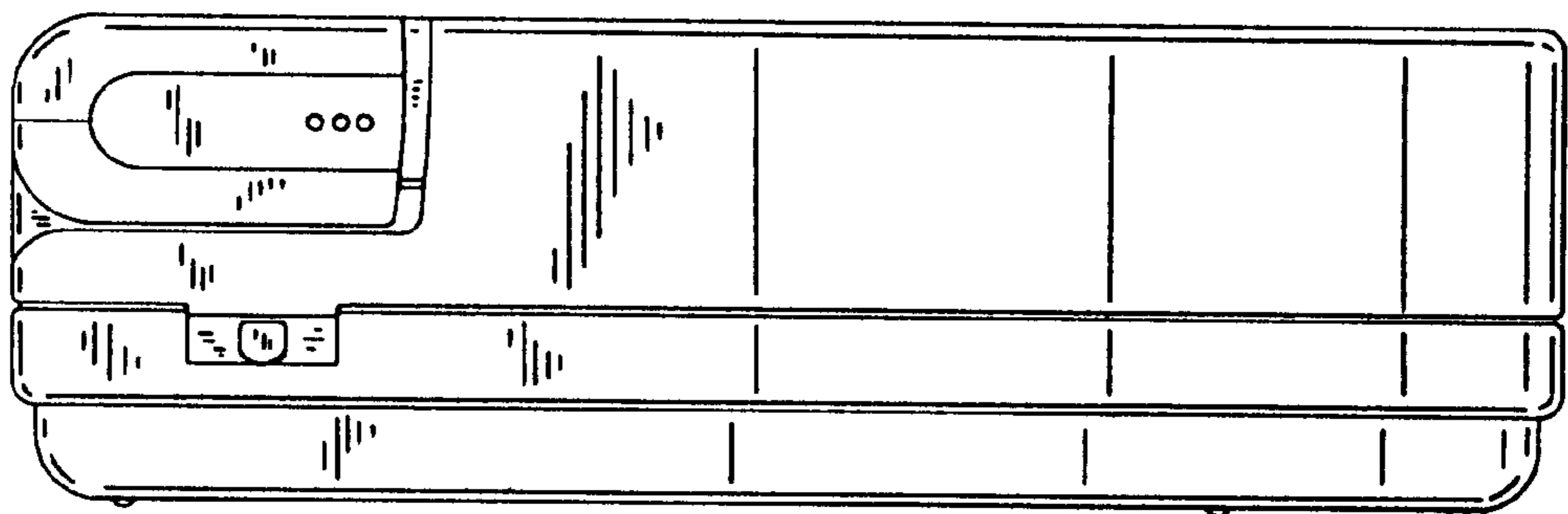


FIG. 4

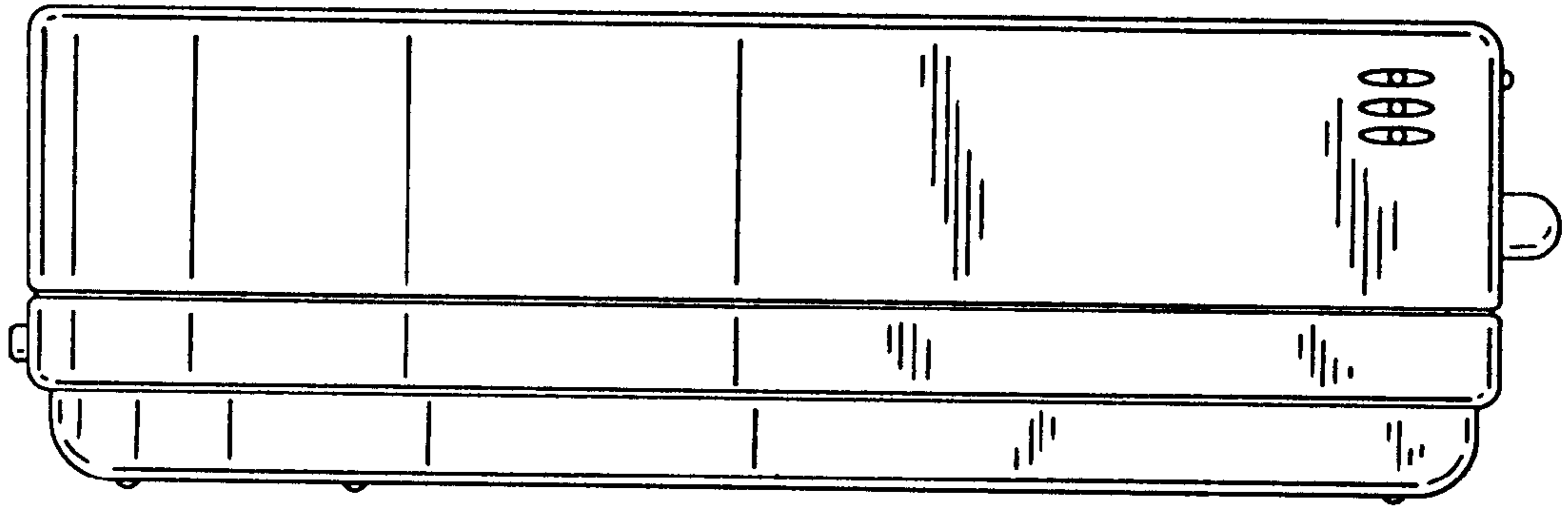


FIG. 5

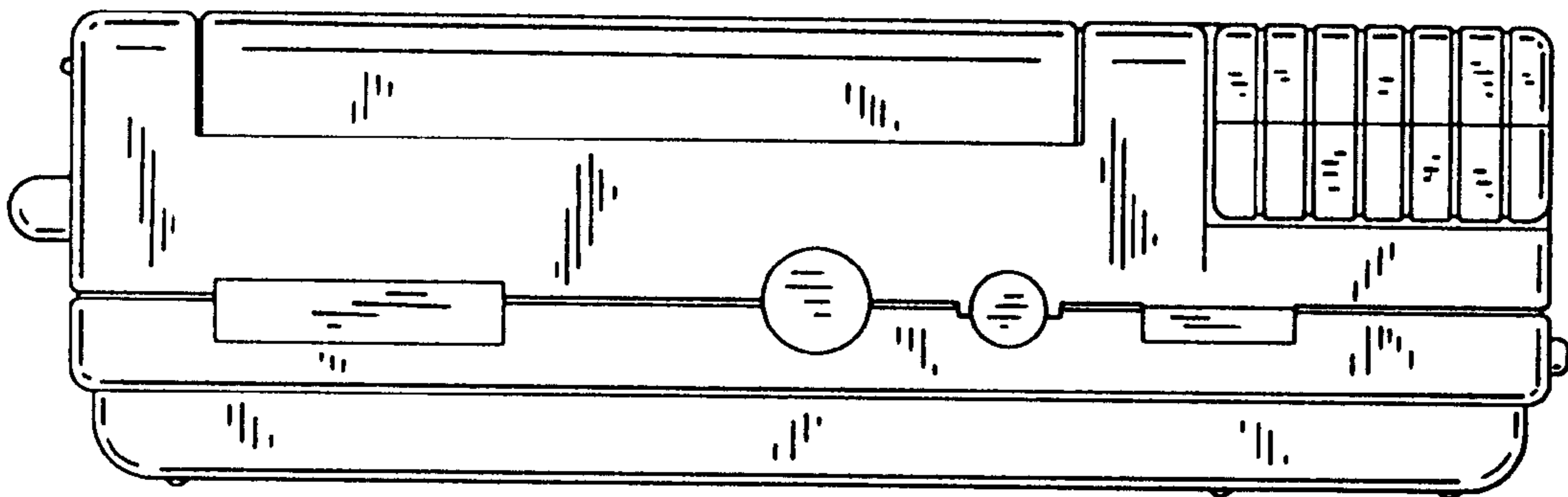


FIG. 6

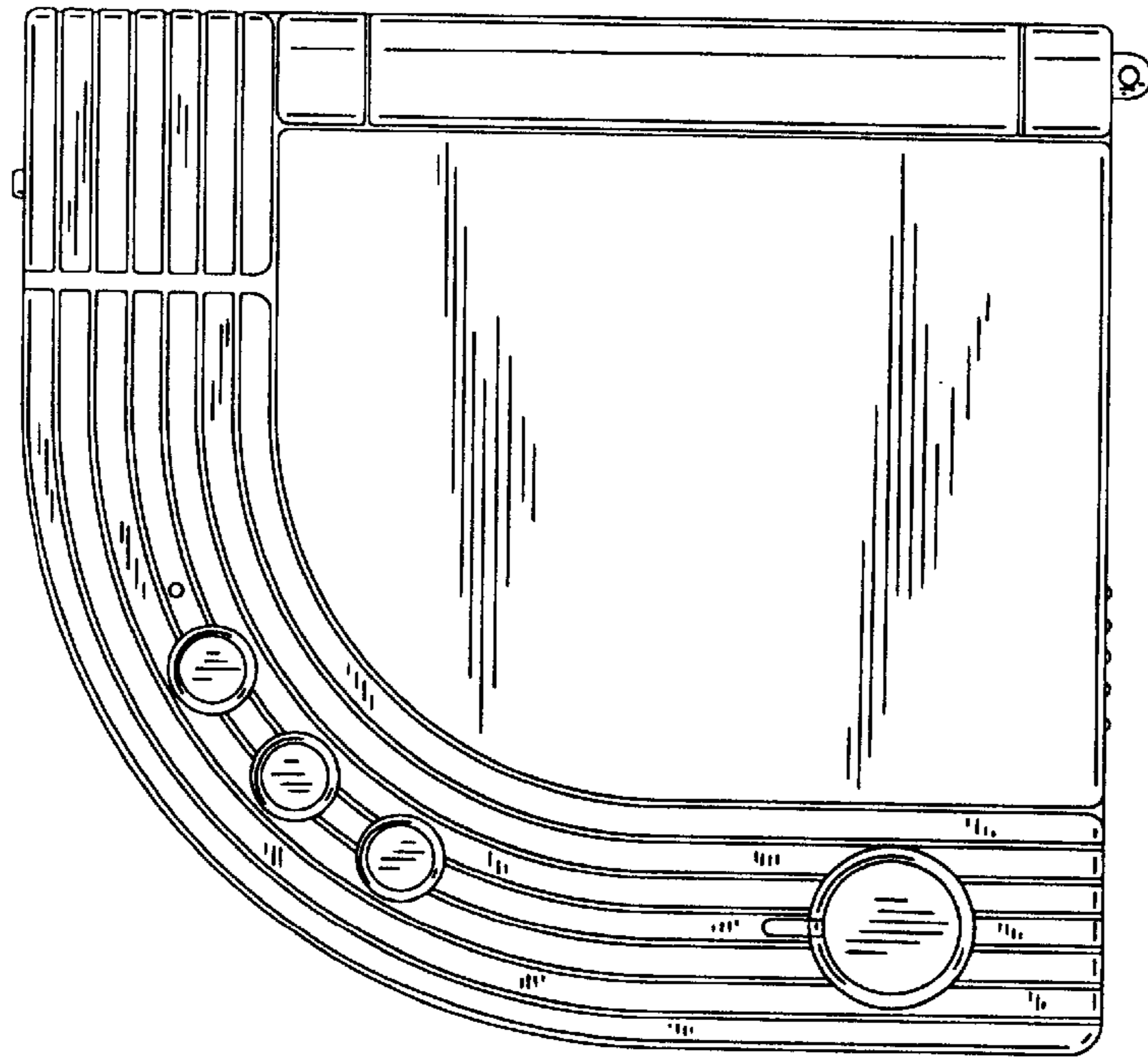


FIG. 7

