



US00D452230B1

(12) **United States Design Patent**
Taylor et al.

(10) **Patent No.: US D452,230 S**

(45) **Date of Patent: ** Dec. 18, 2001**

(54) **WALL PHONE COMPONENT**

(75) Inventors: **Darrell C. Taylor**, Duluth, GA (US);
Thomas Greenwood, Bradenton, FL
(US); **Matthew D. Toth**, Lawrenceville,
GA (US)

(73) Assignee: **Elcotel, Inc.**, Sarasota, FL (US)

(**) Term: **14 Years**

(21) Appl. No.: **29/113,078**

(22) Filed: **Oct. 29, 1999**

(51) **LOC (7) Cl.** **14-03**

(52) **U.S. Cl.** **D14/240; D14/146**

(58) **Field of Search** D14/130, 140,
D14/142, 149-151, 146, 240, 329, 330;
379/433-436, 419, 420, 428, 440, 430,
453, 143-155, 368, 441, 442; D8/350,
353; D13/177; D20/42, 43; D6/300; 40/611,
617

(56) **References Cited**

U.S. PATENT DOCUMENTS

D. 100,487	*	7/1936	Cheatwood	D20/42
D. 142,151	*	8/1945	Gillett	D6/310
D. 266,927	*	11/1982	Illum, Jr. et al.	D14/146
D. 277,480	*	2/1985	Jackwicz et al.	D14/142
D. 283,890	*	5/1986	Britz et al.	D14/146
D. 290,954	*	7/1987	Read	D14/146
D. 291,566	*	8/1987	Perry et al.	D14/240
D. 304,190	*	10/1989	Rose	D14/142
D. 308,677	*	6/1990	Tamura	D14/146
D. 319,827	*	9/1991	Palomeque et al.	D14/146
D. 339,580	*	9/1993	Schmidt	D14/146
D. 342,251	*	12/1993	Hird et al.	D14/146
D. 345,973	*	4/1994	Kwon et al.	D14/146
D. 346,165	*	4/1994	Kwon et al.	D14/146
D. 351,162	*	10/1994	Kwon et al.	D14/146
D. 359,288	*	6/1995	Underwood	D14/250
D. 365,530	*	12/1995	Glaser	D10/103
D. 375,953	*	11/1996	Smith et al.	D14/146
D. 378,917	*	4/1997	Ohayon	D14/146
D. 382,913	*	8/1997	DeArkland	D20/42

D. 383,381	*	9/1997	Philippi	D8/400
D. 402,983	*	12/1998	Wild et al.	D14/146
D. 408,034	*	4/1999	Chuang	D14/146
D. 408,404	*	4/1999	Hall	D14/146
D. 410,004	*	5/1999	LaPorte et al.	D14/146
D. 421,018	*	2/2000	Ashkenazi	D14/240
D. 423,474	*	4/2000	Tierney, II	D14/107
D. 429,241	*	8/2000	Collins	D14/138

(List continued on next page.)

Primary Examiner—Jeffrey Asch

(74) *Attorney, Agent, or Firm*—Schnader Harrison Segal & Lewis LLP

(57) **CLAIM**

The ornamental design for a wall phone component, as shown and described.

DESCRIPTION

FIG. 1 is a perspective view of a wall phone component according to the invention.

FIG. 2 is a front elevational view of a wall phone component according to the invention.

FIG. 3 is a rear elevational view of a wall phone component according to the invention.

FIG. 4 is a left side elevational view of a wall phone component according to the invention.

FIG. 5 is a right side elevational view of a wall phone component according to the invention.

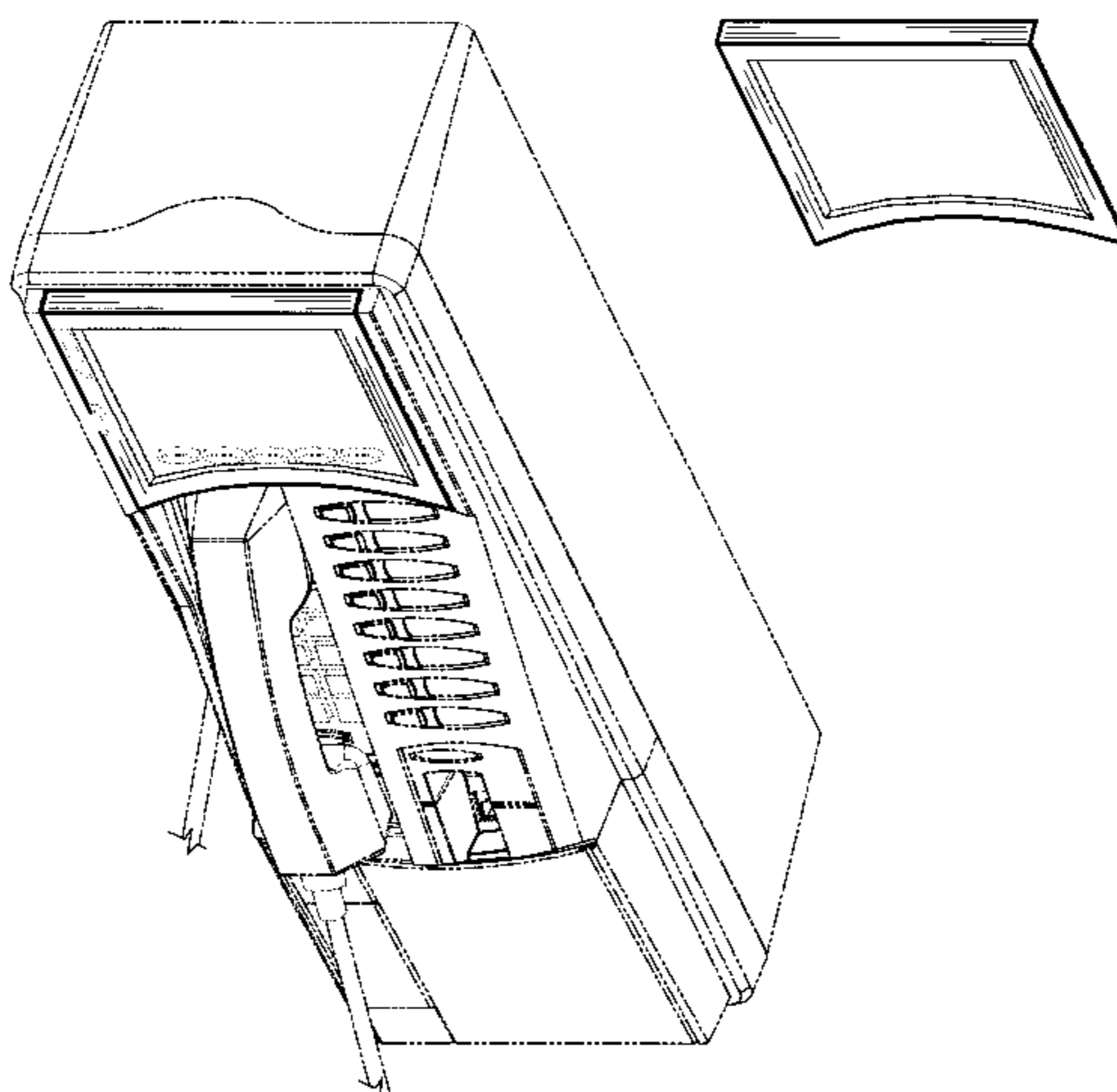
FIG. 6 is a top plan view of a wall phone component according to the invention.

FIG. 7 is a bottom plan view of a wall phone component according to the invention; and,

FIG. 8 is a perspective view of a wall phone component according to the invention, environmental and contextual dotted lines removed except for the broken lines which set forth, but are not a part of, the interior boundaries of the claimed design.

The broken, non-solid lines are for illustrative and contextual purposes only, and form no part of the claimed invention. The heavy solid lines establish the claim subject matter which is most readily seen in FIG. 8.

1 Claim, 8 Drawing Sheets



US D452,230 S

Page 2

U.S. PATENT DOCUMENTS

D. 432,509	*	10/2000	Webb et al.	D14/138	5,155,765	*	10/1992	McGough	379/437
D. 435,838	*	1/2001	Taylor et al.	D14/146	5,402,476	*	3/1995	Ohayon	379/145
D. 437,525	*	2/2001	Strohmeier	D7/397	5,488,656	*	1/1996	DeArkland	379/155
1,603,954	*	10/1926	Huston	40/611 X	5,907,606	*	5/1999	Ingalsbe et al.	379/146
4,672,661	*	6/1987	Clark, Jr. et al.	379/144	5,963,628	*	10/1999	Cheng et al.	379/145
4,763,352	*	8/1988	Goff	379/145	6,038,298	*	3/2000	Cheng	379/143
4,974,257	*	11/1990	Ibanez et al.	379/143						

* cited by examiner

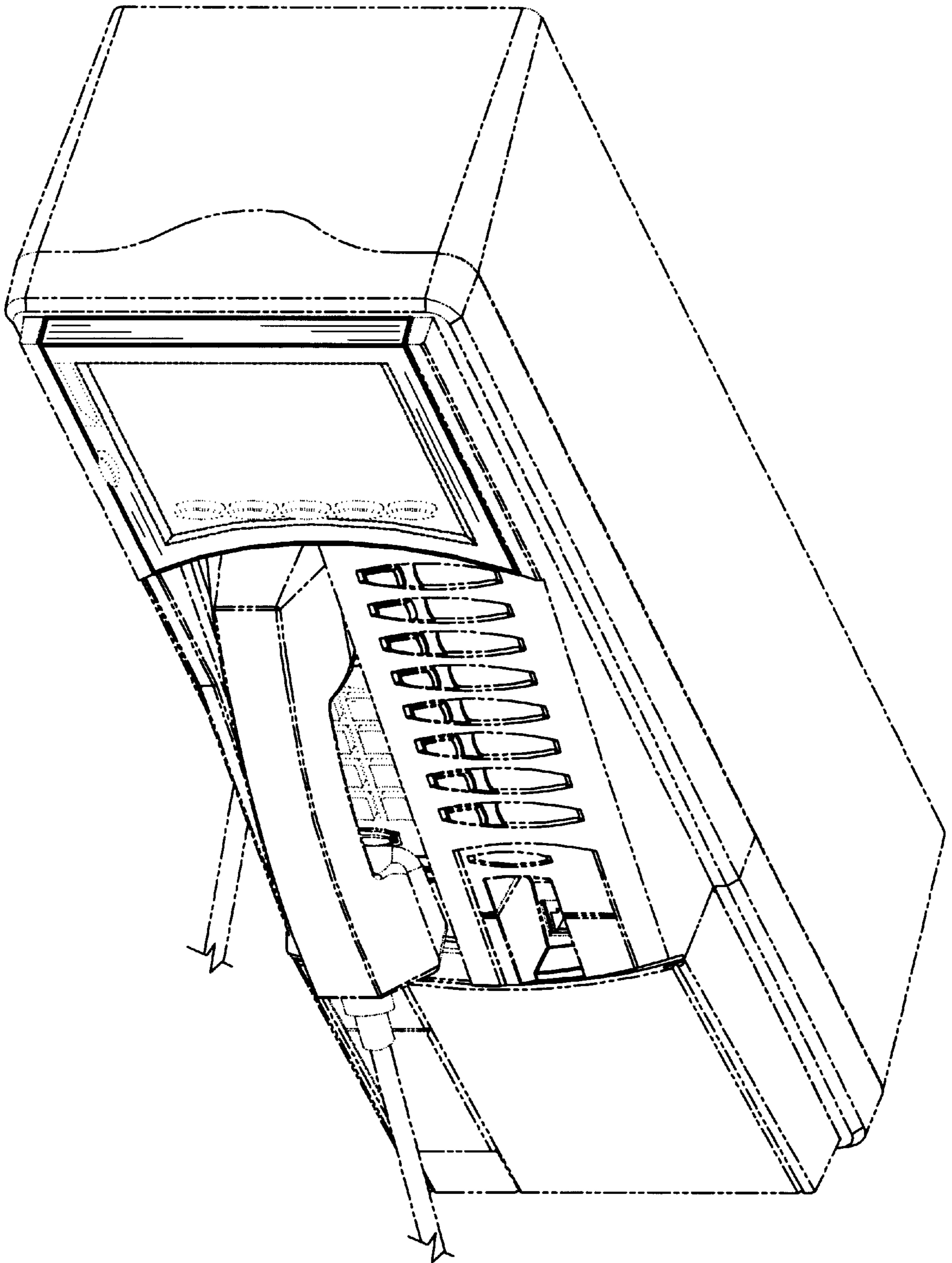


Fig. 1

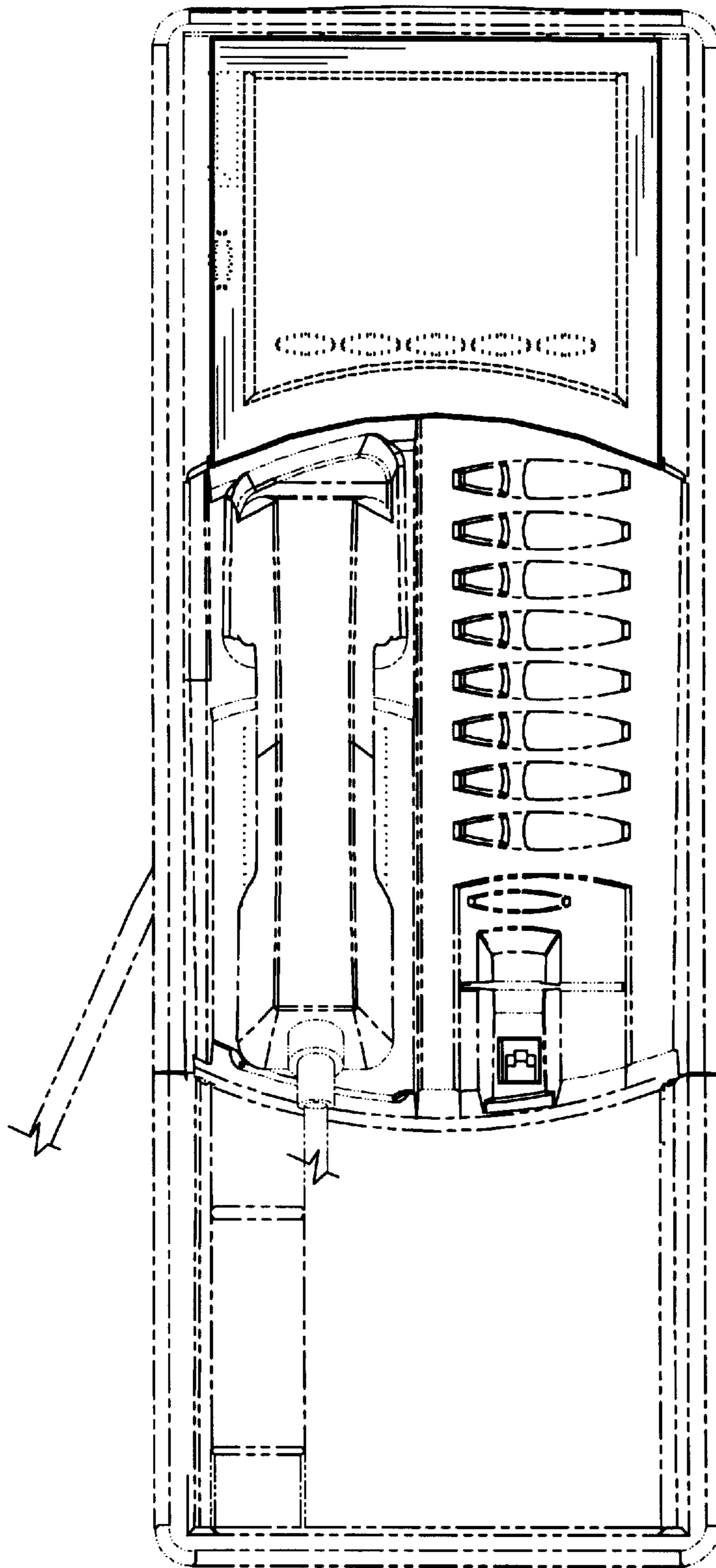


Fig. 2

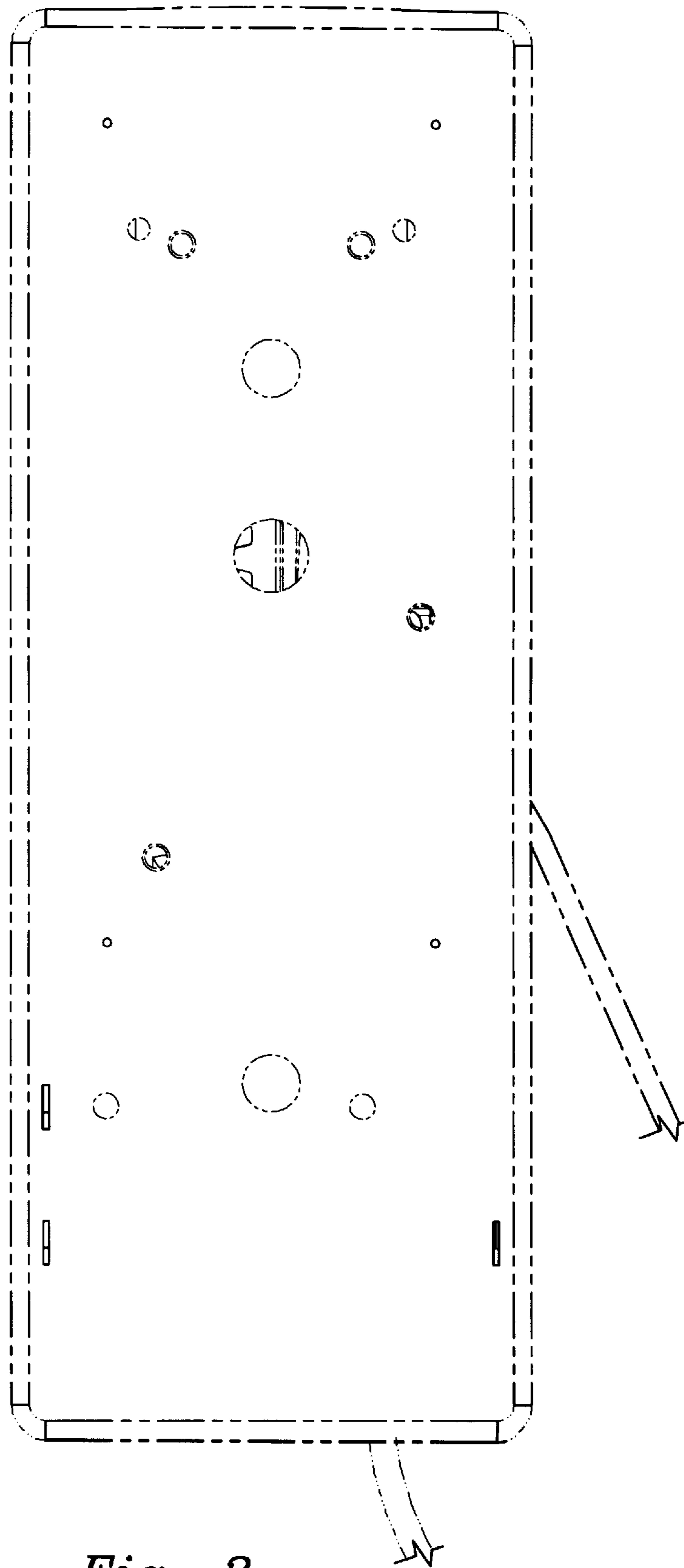


Fig. 3

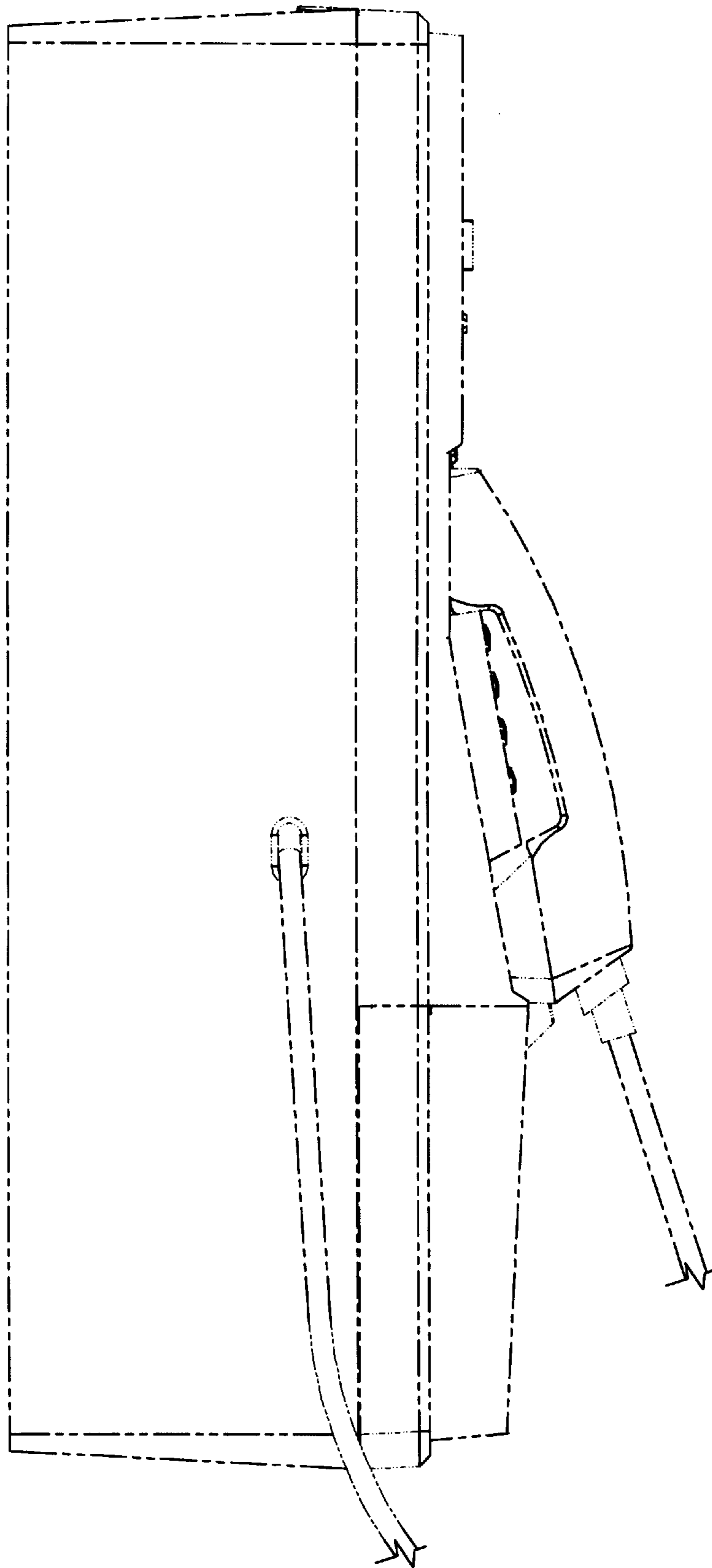


Fig. 4

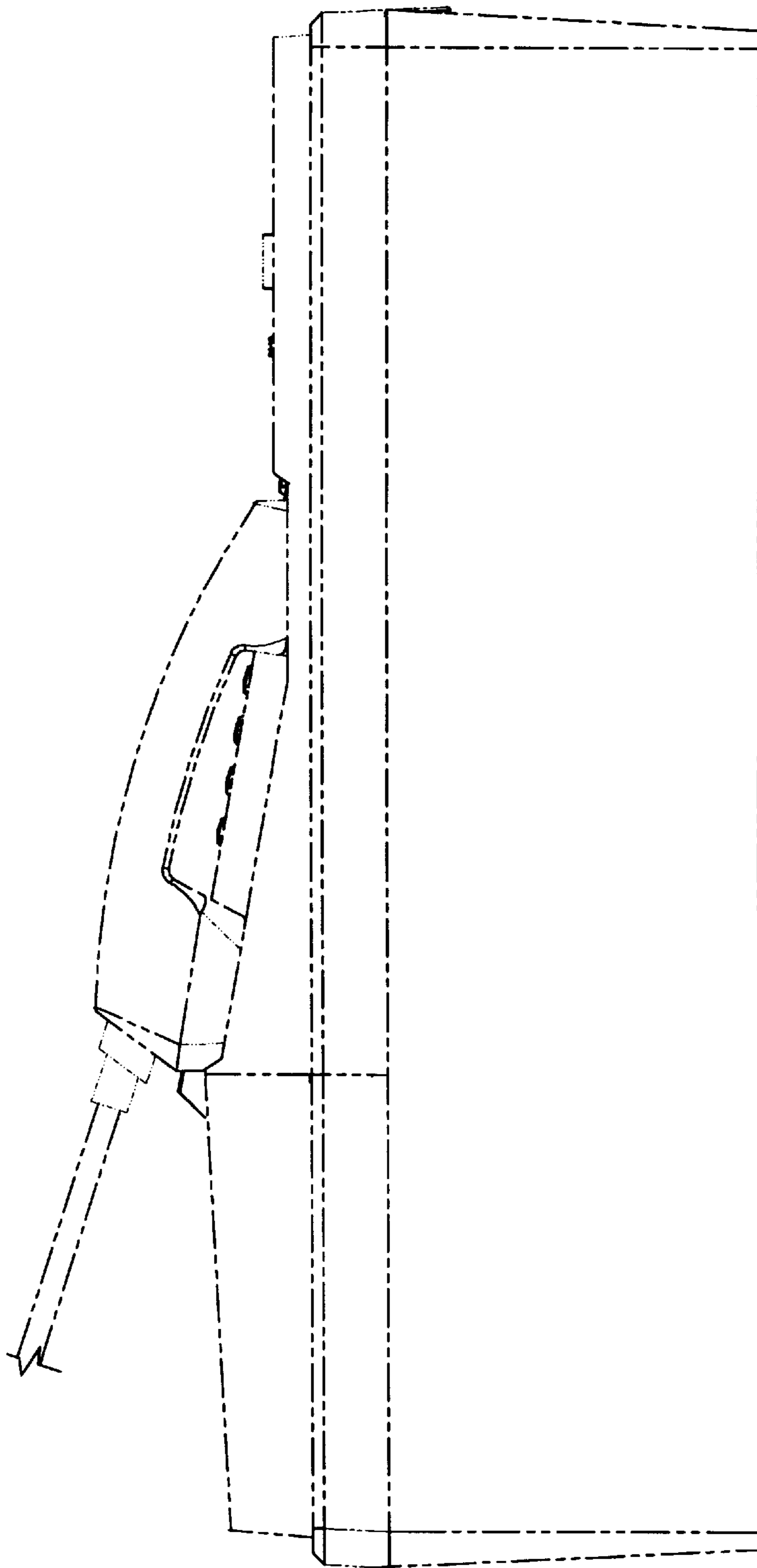


Fig. 5

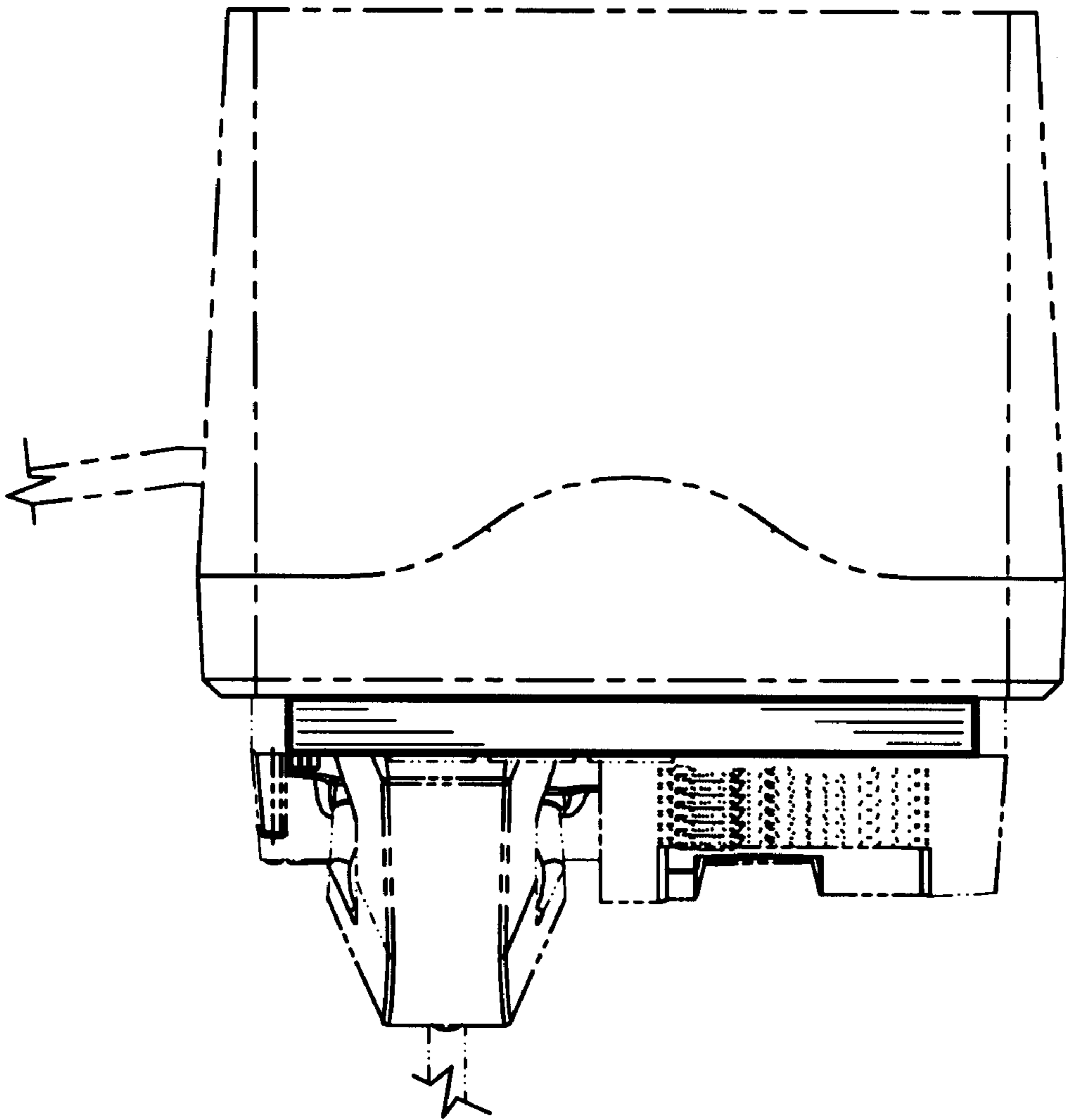


Fig. 6

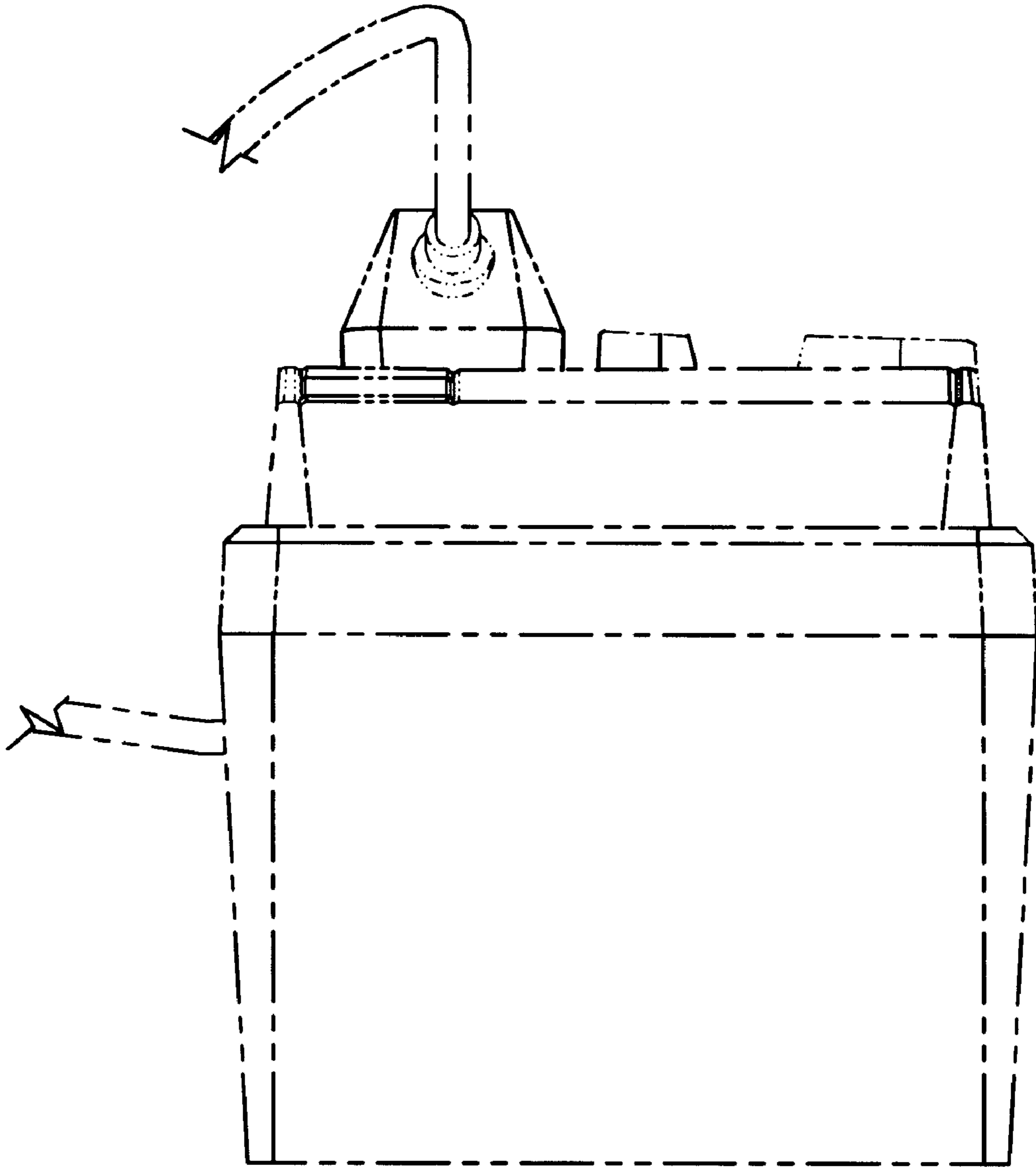


Fig. 7

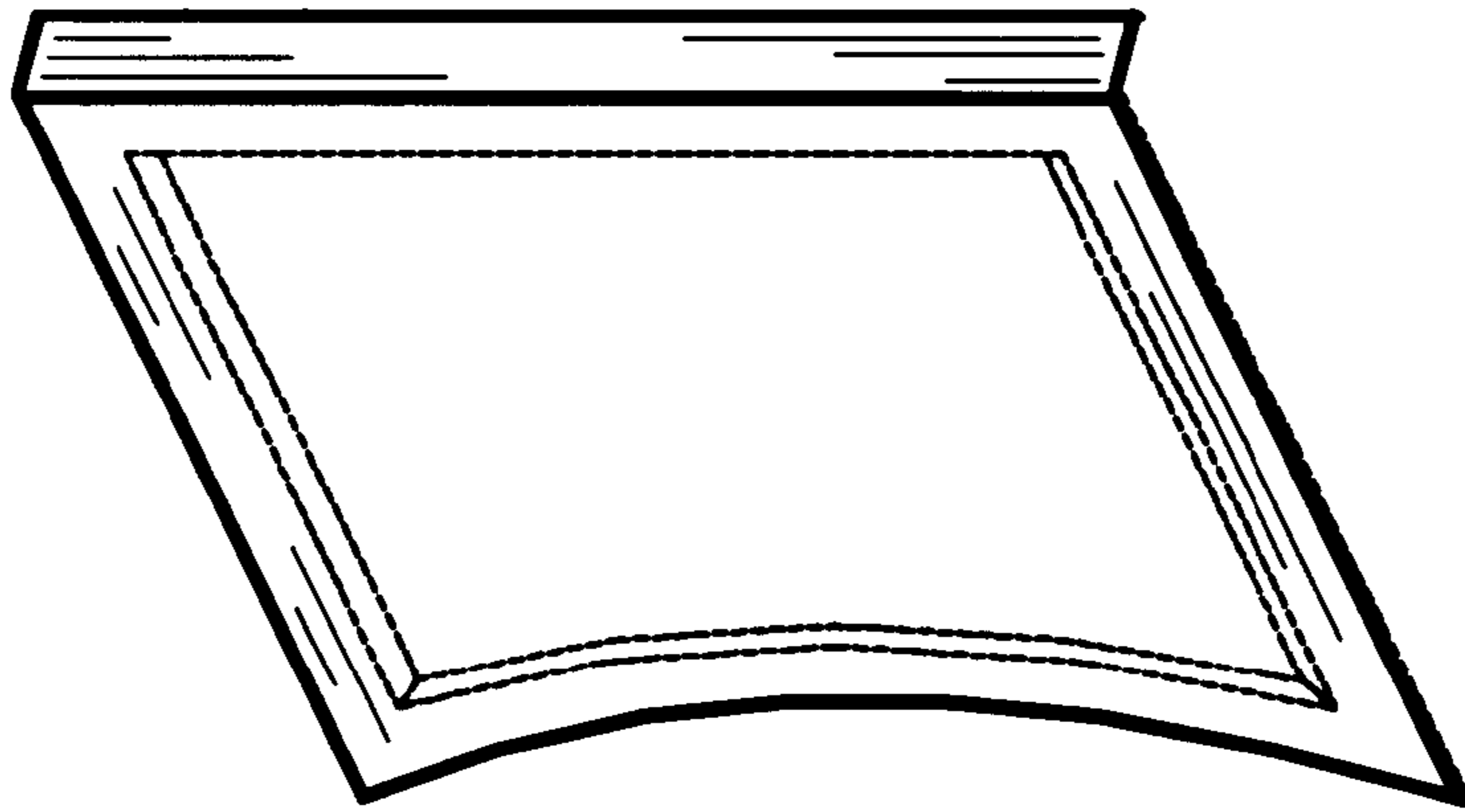


Fig. 8