



US00D452229B1

(12) **United States Design Patent**  
**Sato**

(10) **Patent No.:** **US D452,229 S**

(45) **Date of Patent:** **\*\* Dec. 18, 2001**

(54) **PARABOLIC ANTENNA**

(75) Inventor: **Fusao Sato**, Hyogo-ken (JP)

(73) Assignee: **DX Antenna Company, Limited**, Kobe (JP)

(\*\*) Term: **14 Years**

(21) Appl. No.: **29/134,025**

(22) Filed: **Dec. 13, 2000**

(51) **LOC (7) Cl.** ..... **14-03**

(52) **U.S. Cl.** ..... **D14/231**

(58) **Field of Search** ..... D14/230-238;  
343/878, 880, 840, 872, 881, 763, 720,  
912, 908, 907, 761, 882, 786

(56) **References Cited**

**U.S. PATENT DOCUMENTS**

D. 362,444	*	9/1995	Schneeman	.....	D14/231
D. 389,155		1/1998	Inoue	.	
D. 409,622		5/1999	Inoue	.	
D. 411,999		7/1999	Inoue	.	
D. 413,603	*	9/1999	Inoue	.....	D14/231
D. 441,741	*	5/2001	Inoue	.....	D14/231
6,166,704	*	12/2000	Jan et al.	.....	343/840

\* cited by examiner

*Primary Examiner*—Louis S. Zarfaz

*Assistant Examiner*—Gregory Andoll

(74) *Attorney, Agent, or Firm*—Duane, Morris & Heckscher LLP

(57) **CLAIM**

The ornamental design for a parabolic antenna, as shown and described.

**DESCRIPTION**

FIG. 1 is a front view of a parabolic antenna according to my new design.

FIG. 2 is a left side elevational view of the antenna shown in FIG. 1.

FIG. 3 is a top plan view of the antenna shown in FIG. 1.

FIG. 4 is a rear elevational view of the antenna shown in FIG. 1.

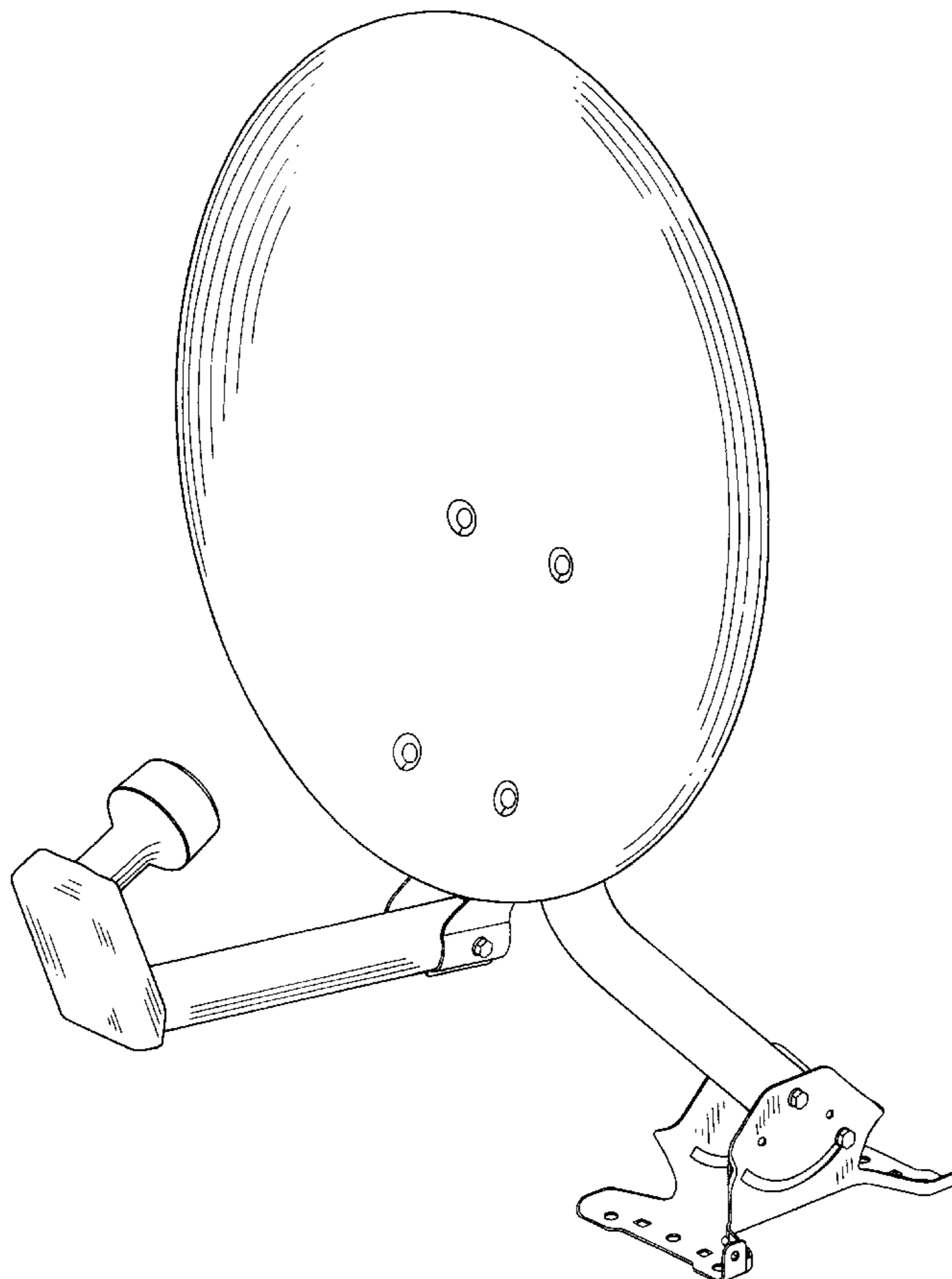
FIG. 5 is a right side elevational view of the antenna shown in FIG. 1.

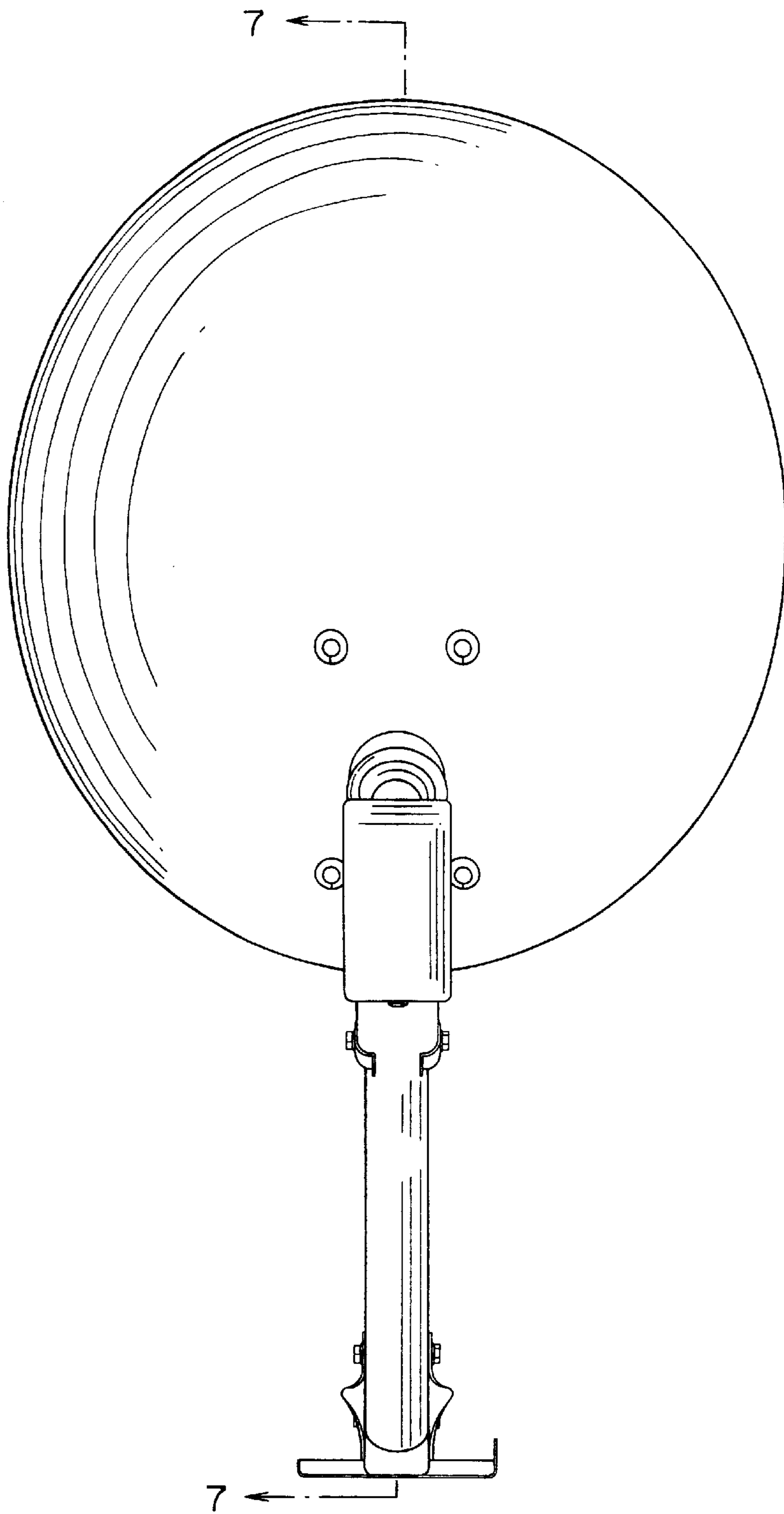
FIG. 6 is a bottom plan view of the antenna shown in FIG. 1.

FIG. 7 is a cross-sectional view of the antenna along the line 7—7 in FIG. 1; and,

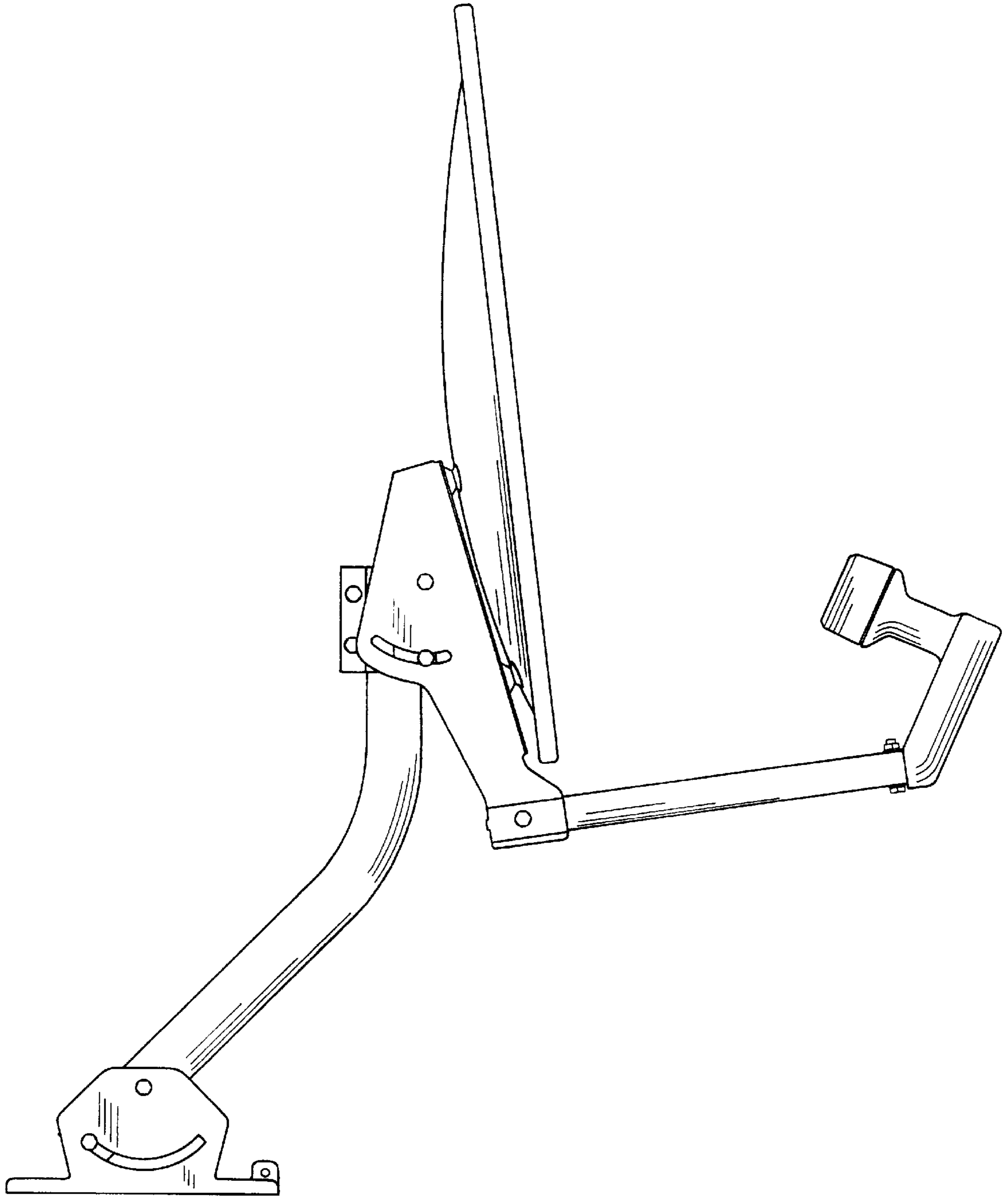
FIG. 8 is an enlarged, front right side perspective view of the antenna shown in FIG. 1.

**1 Claim, 8 Drawing Sheets**





F I G . 1



F I G . 2

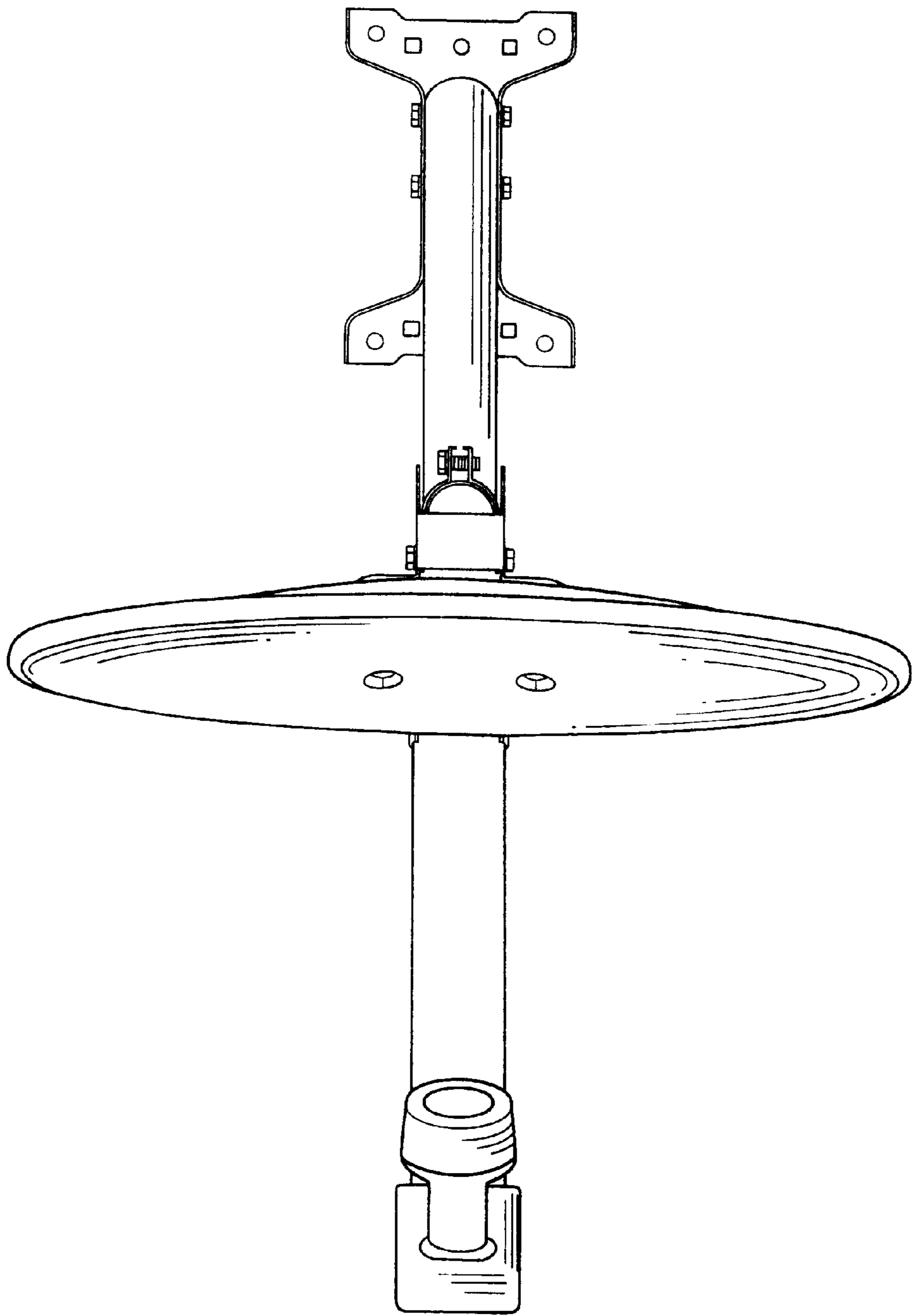
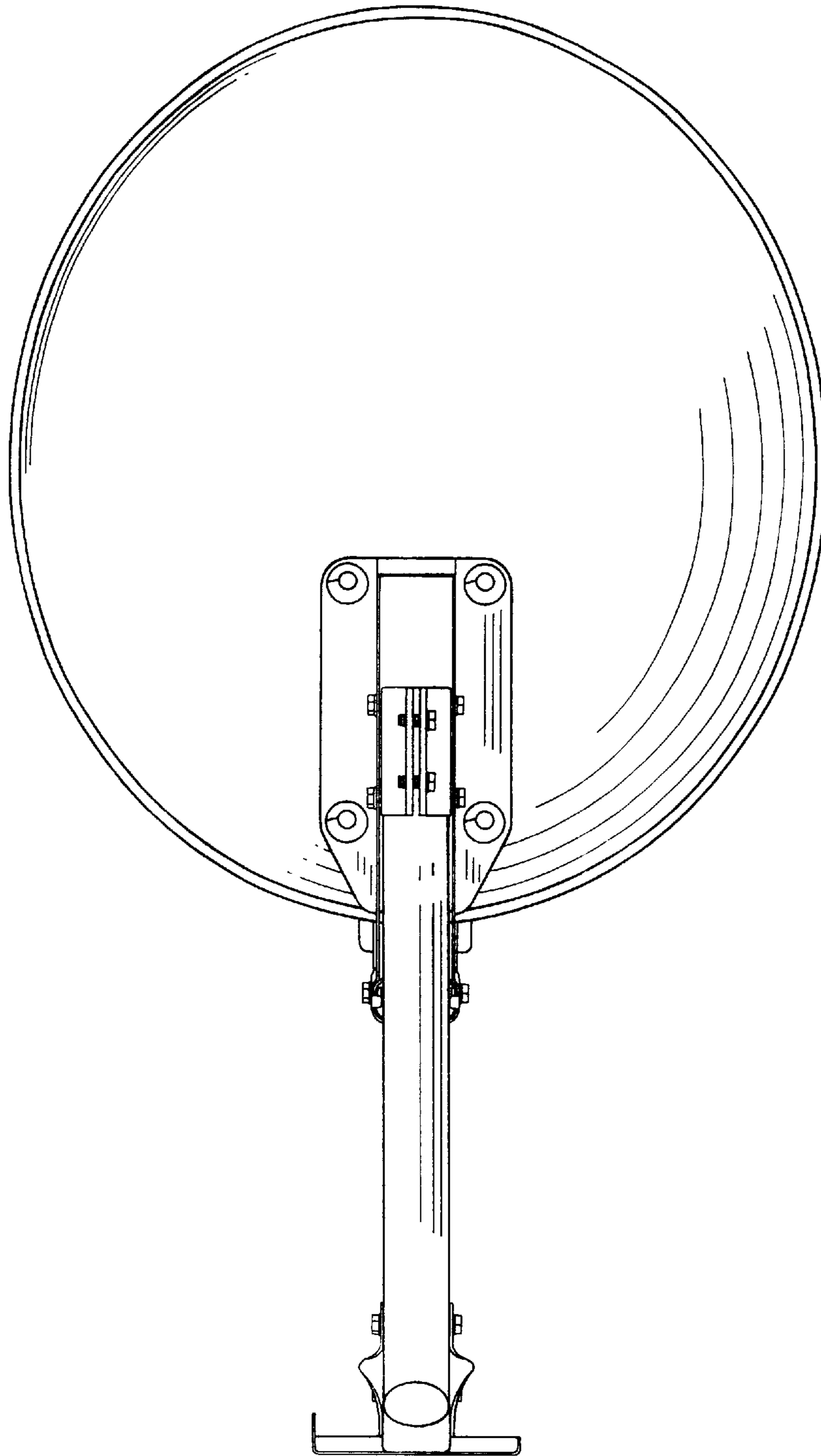
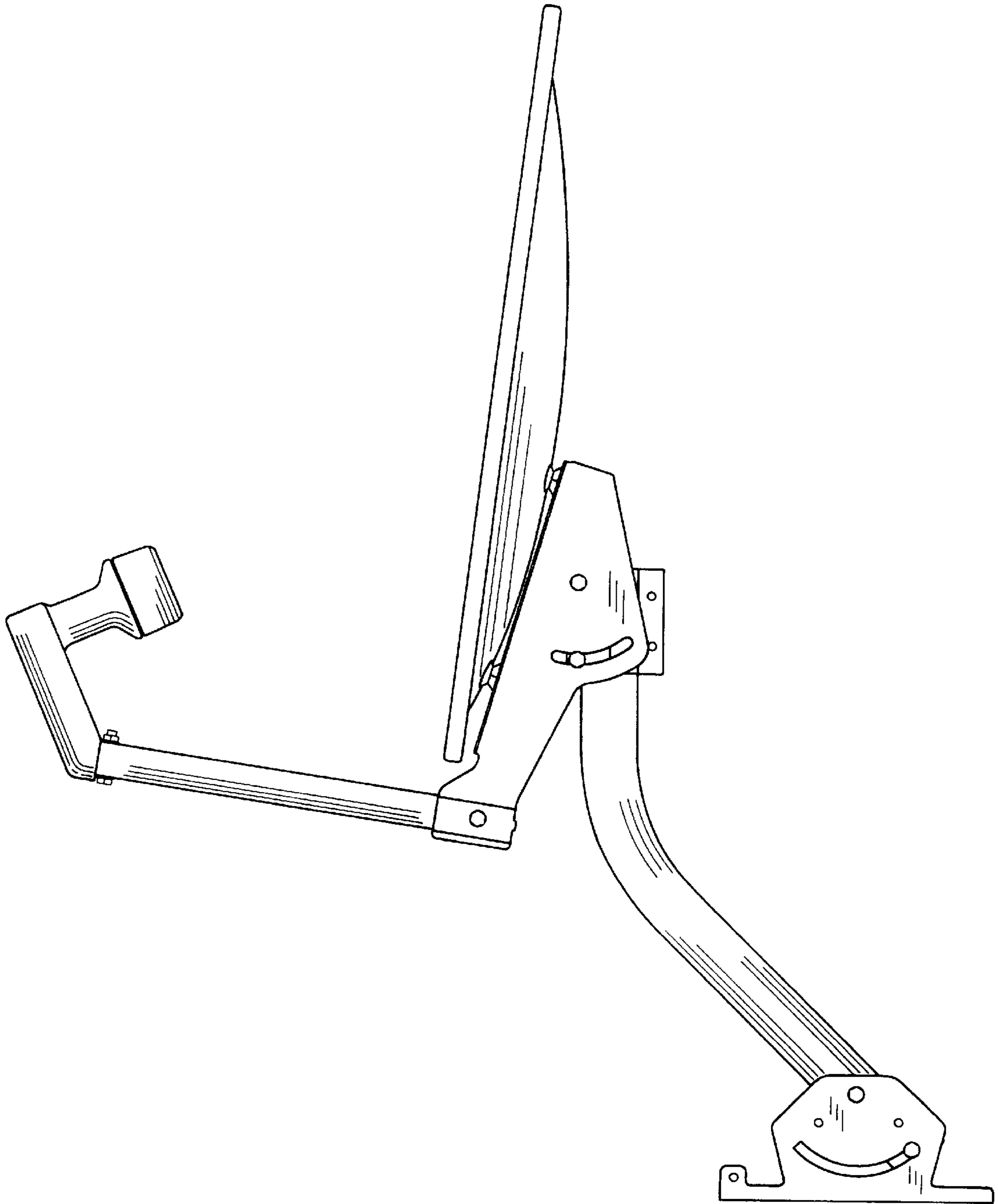


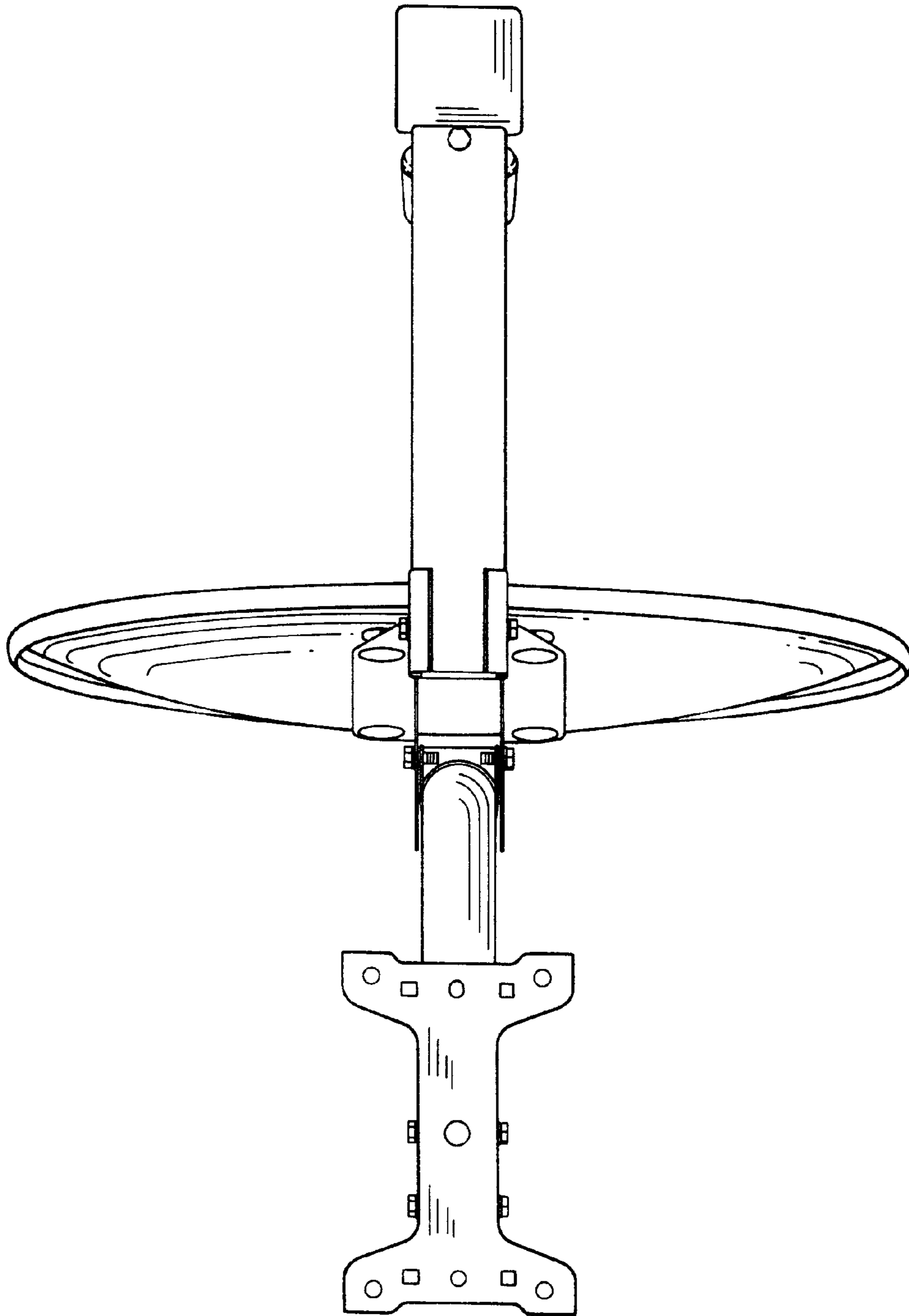
FIG. 3



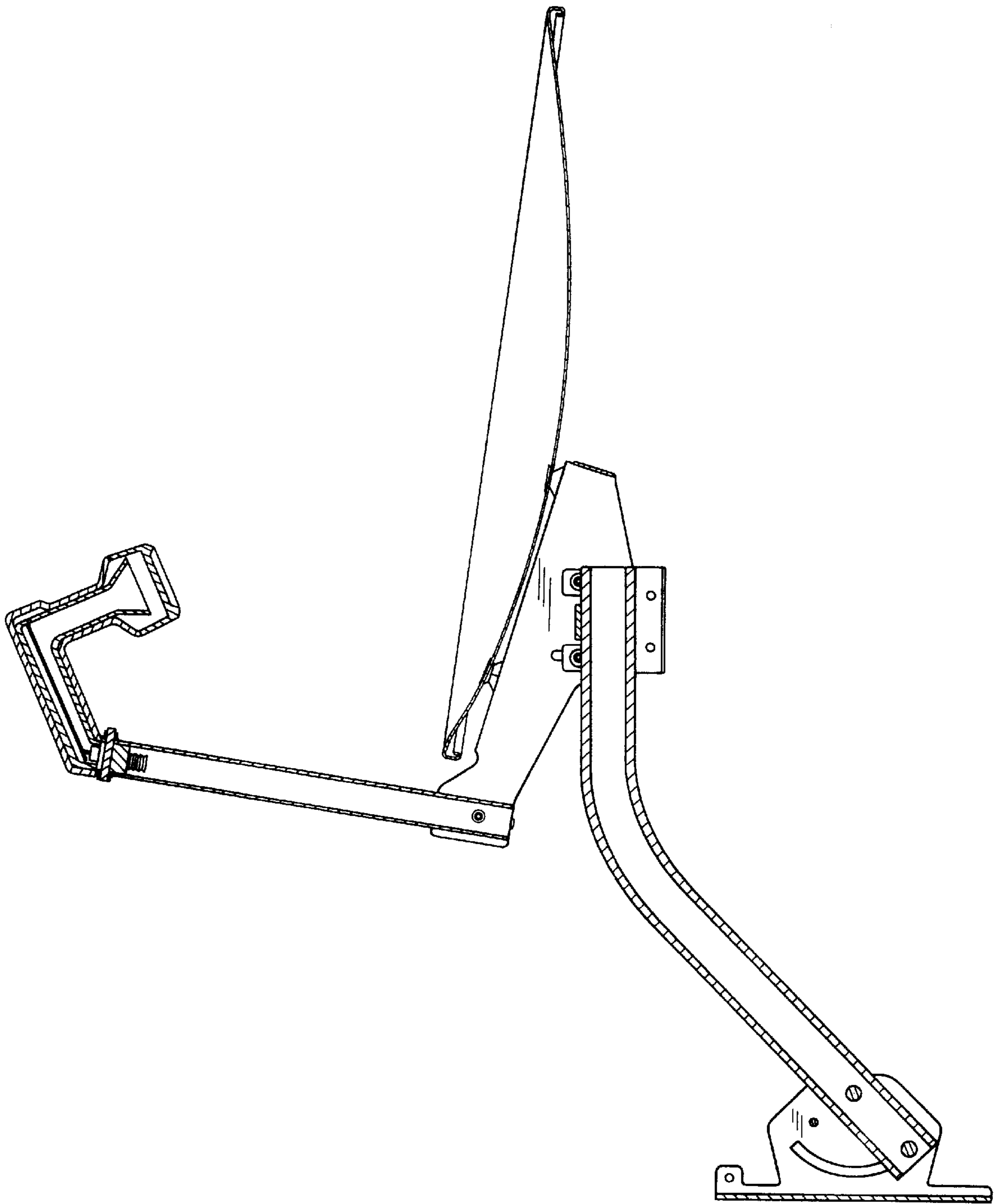
F I G . 4



F I G . 5

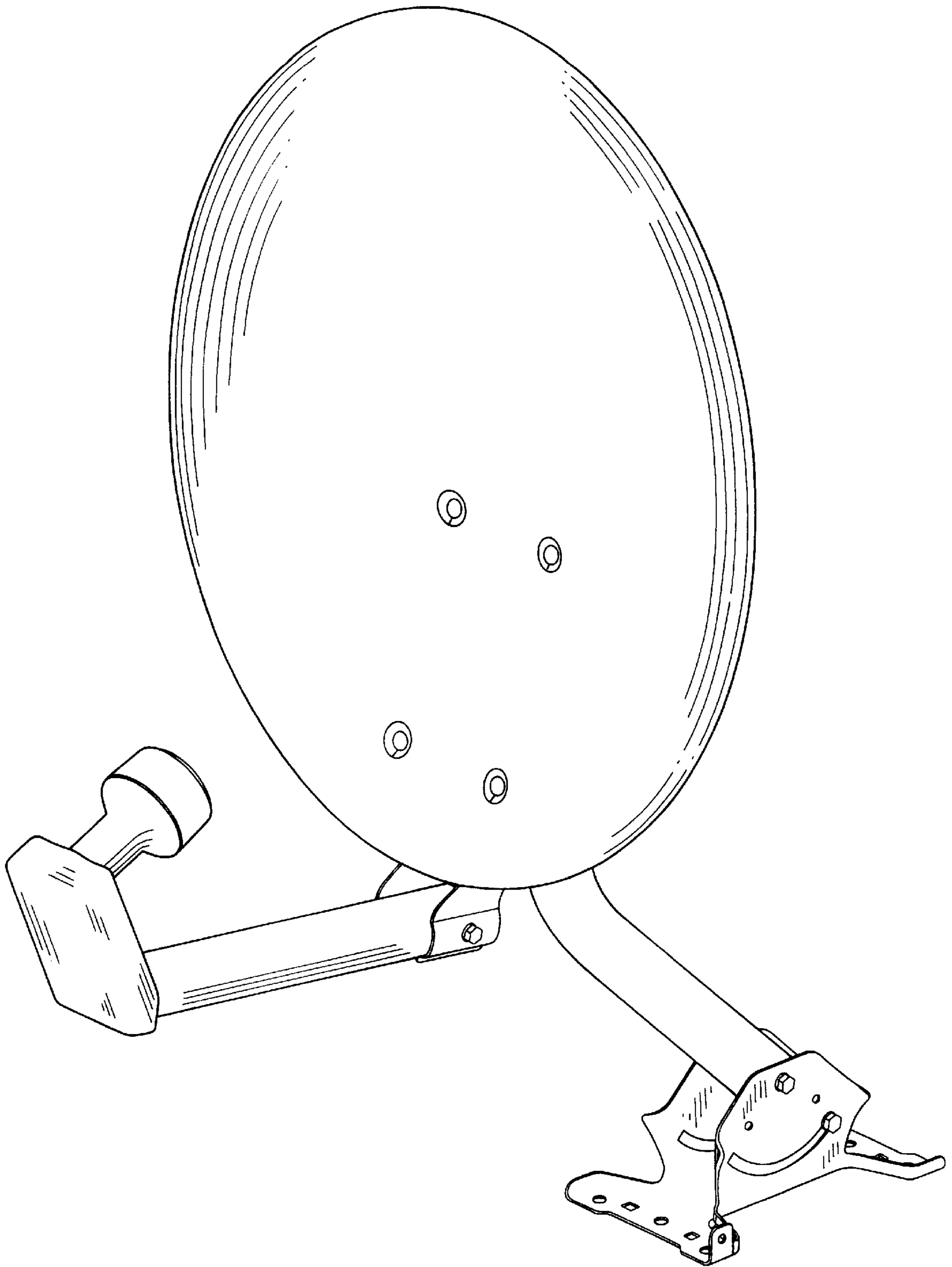


F I G . 6



F I G . 7





F I G . 8