



US00D452225B1

(12) **United States Design Patent**
Becker

(10) **Patent No.:** **US D452,225 S**

(45) **Date of Patent:** **** Dec. 18, 2001**

(54) **RADIO REMOTE CONTROL UNIT**

(75) Inventor: **Roland Becker**, Baden-Baden (DE)

(73) Assignee: **Becker Flugfunkwerk GmbH**,
Rheinmünster (DE)

(**) Term: **14 Years**

(21) Appl. No.: **29/114,638**

(22) Filed: **Nov. 29, 1999**

(51) **LOC (7) Cl.** **14-03**

(52) **U.S. Cl.** **D14/155; D14/197**

(58) **Field of Search** D14/137, 155,
D14/188, 193-198; 455/90, 100, 128, 344,
347, 350-351

(56) **References Cited**

U.S. PATENT DOCUMENTS

- D. 213,050 * 12/1968 Hardy D14/198 X
- D. 250,535 * 12/1978 Kato D14/198

- D. 252,810 * 9/1979 Bocko D14/198
- D. 259,789 * 7/1981 Watanabe D14/197
- D. 416,902 * 11/1999 Kizawa D14/188

* cited by examiner

Primary Examiner—Nanda Bondade

(74) *Attorney, Agent, or Firm*—Collard & Roe, P.C.

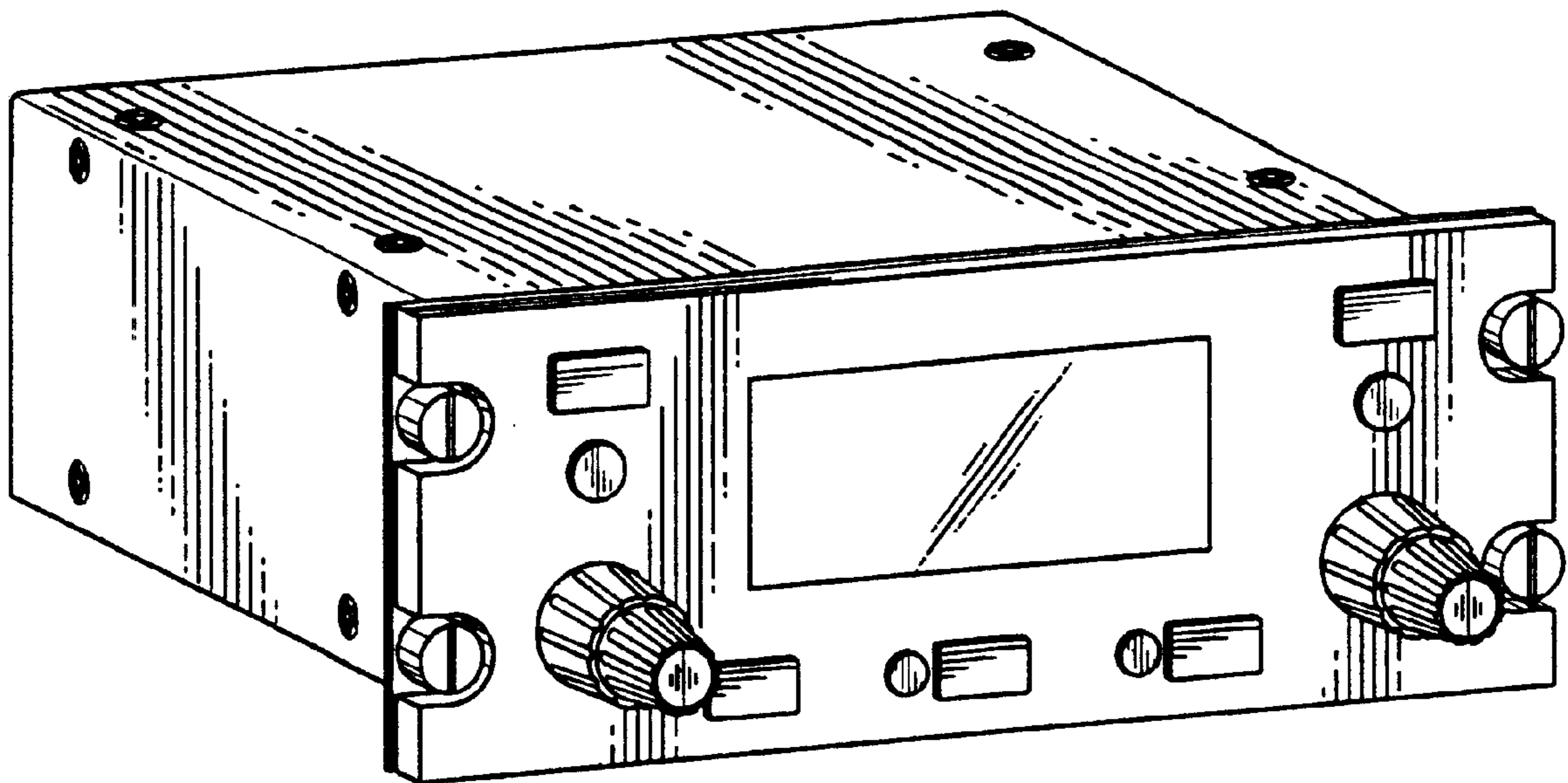
(57) **CLAIM**

The ornamental design for a radio remote control unit, as shown and described.

DESCRIPTION

FIG. 1 shows a front perspective view of my design for a radio control unit;
 FIG. 2 shows a rear perspective view thereof;
 FIG. 3 shows a bottom view thereof;
 FIG. 4 shows a top view thereof;
 FIG. 5 shows a left view thereof; and,
 FIG. 6 shows a right view.

1 Claim, 3 Drawing Sheets



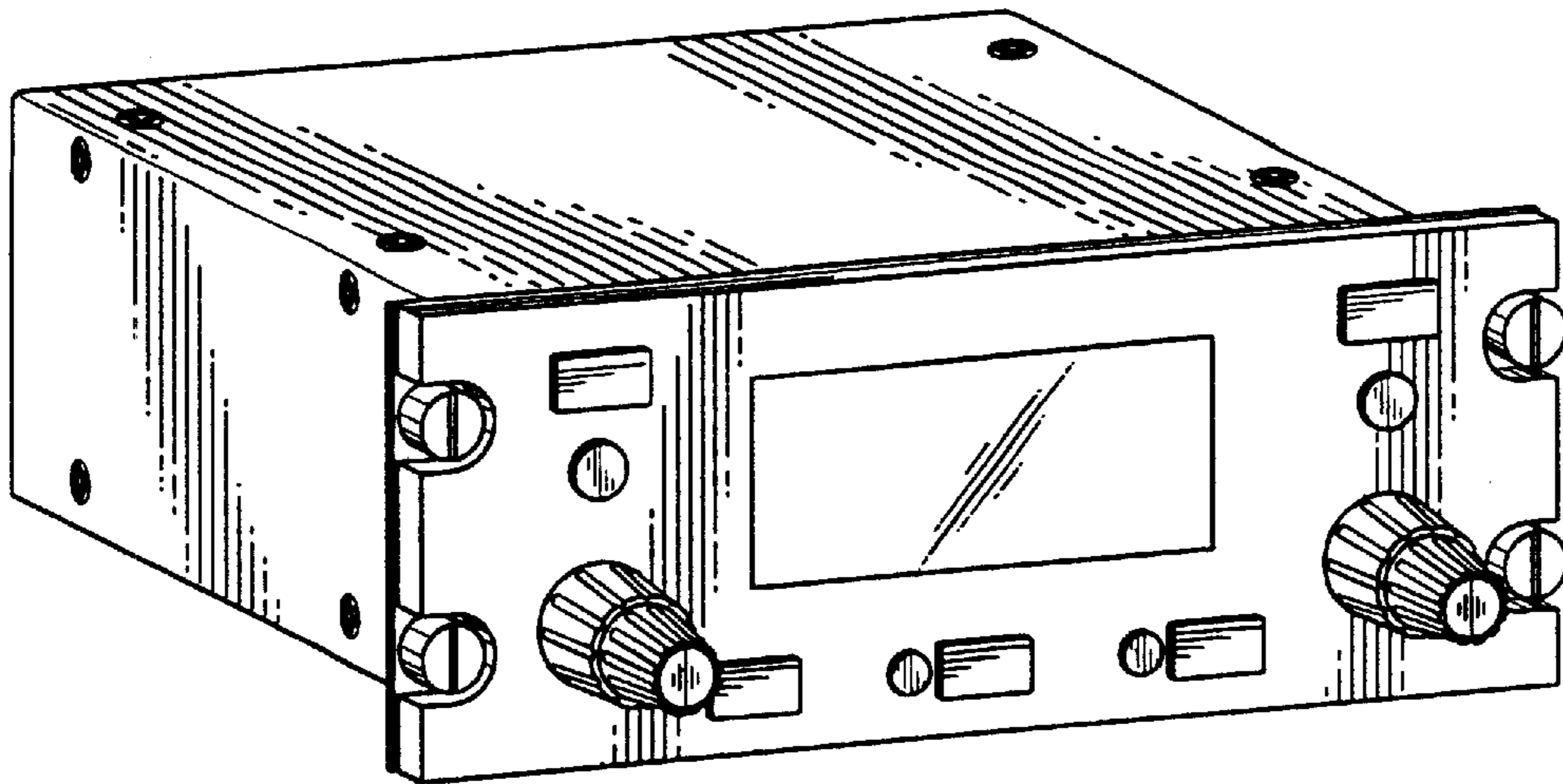


Fig. 1

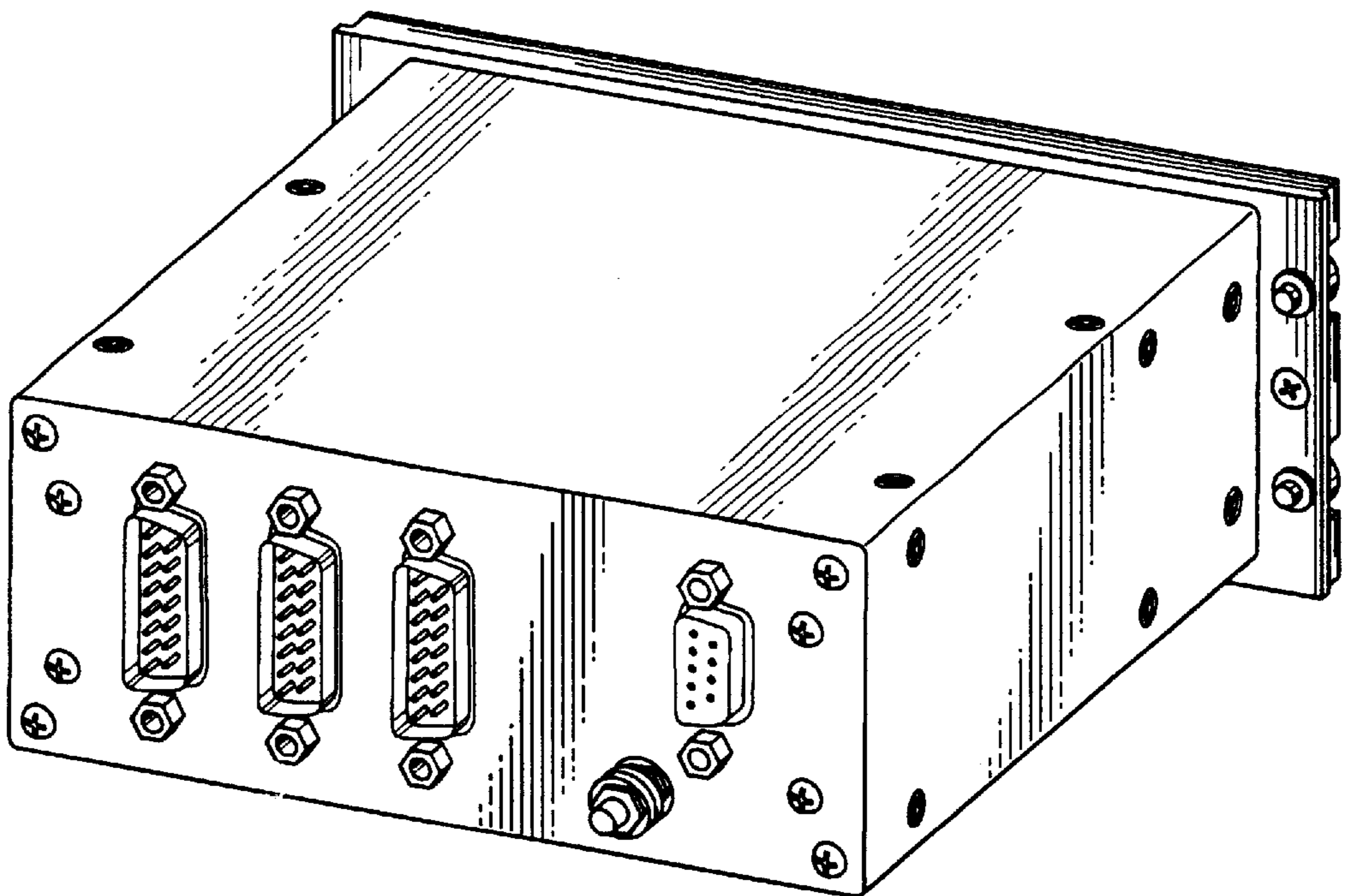


Fig. 2

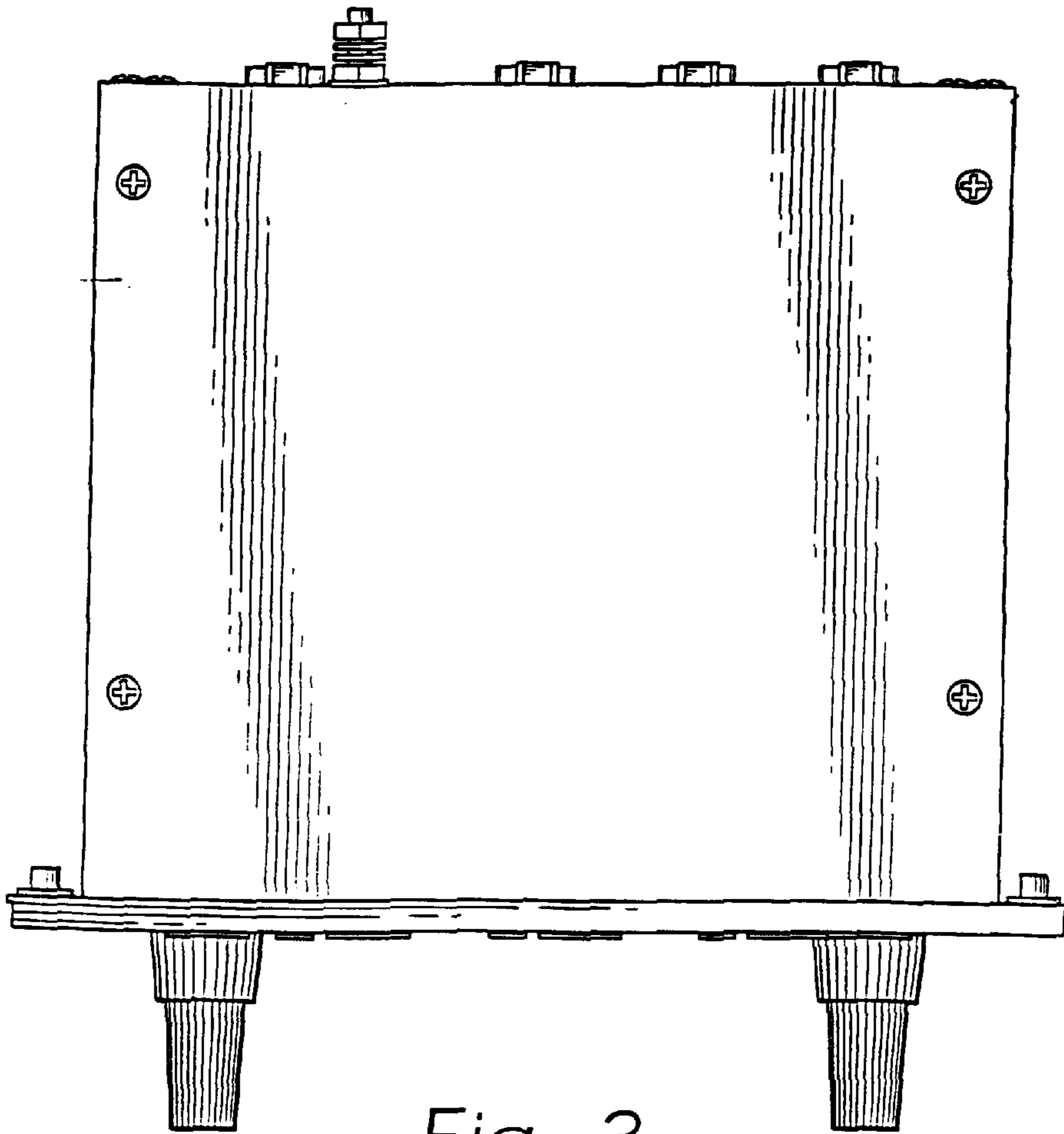


Fig. 3

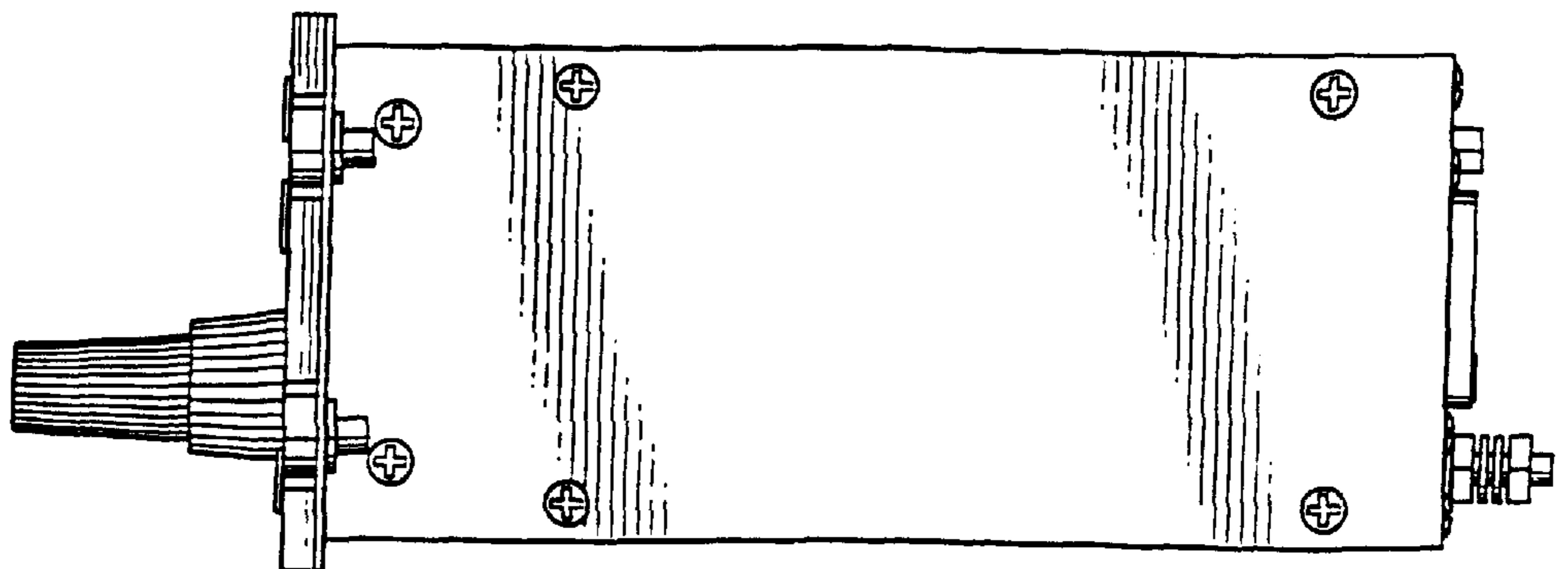


Fig. 6

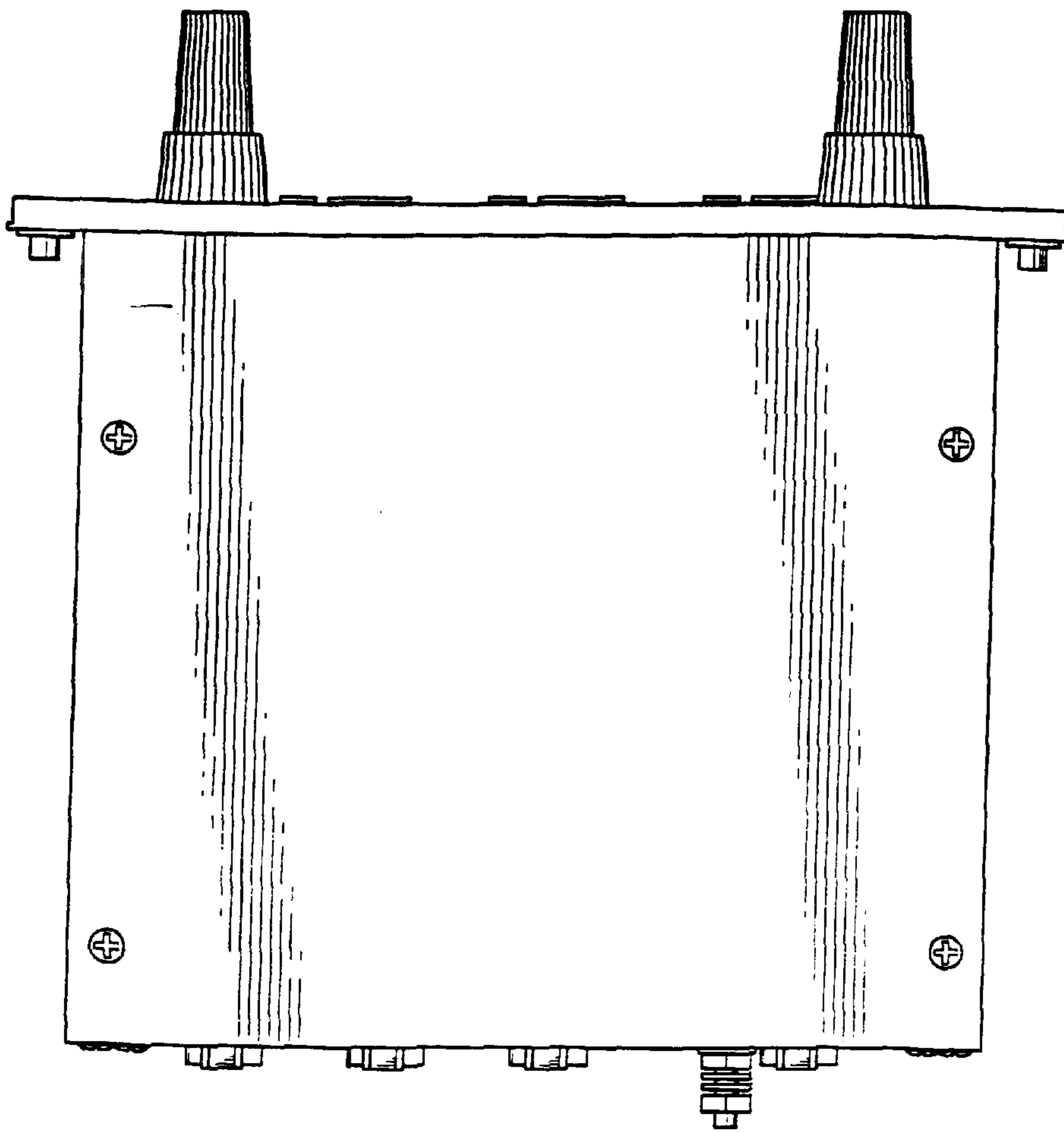


Fig. 4

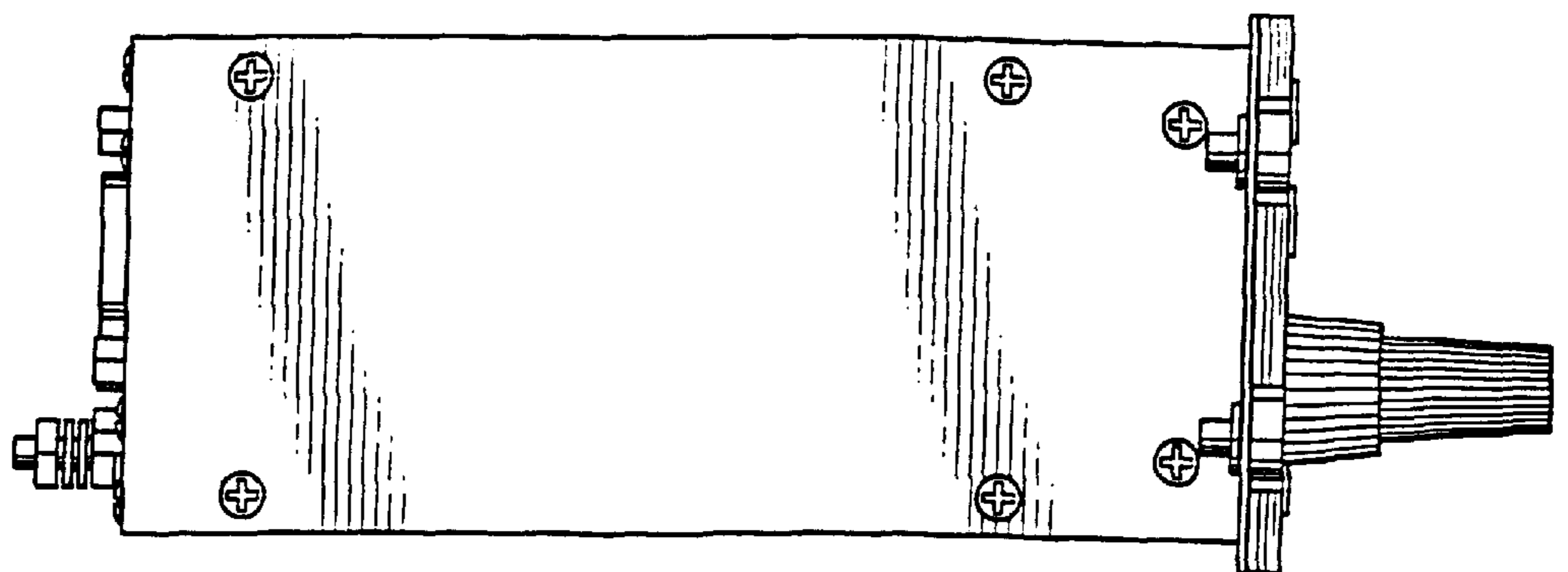


Fig. 5