



US00D45222B1

(12) **United States Design Patent**  
**Lee**

(10) **Patent No.:** **US D452,222 S**

(45) **Date of Patent:** **\*\* Dec. 18, 2001**

(54) **VIDEOPHONE**

(75) Inventor: **Soo Shin Lee**, Kyungki-do (KR)

(73) Assignee: **LG Electronics Inc.**, Seoul (KR)

(\*\*) Term: **14 Years**

(21) Appl. No.: **29/124,430**

(22) Filed: **Jun. 6, 2000**

(30) **Foreign Application Priority Data**

Dec. 6, 1999 (KR) ..... 99-29412

(51) **LOC (7) Cl.** ..... **14-03**

(52) **U.S. Cl.** ..... **D14/130; D14/329**

(58) **Field of Search** ..... D14/137, 138,  
D14/148-147, 149-151, 140-142, 240,  
241, 329, 330, 130, 340; 379/433-436,  
419, 420, 428, 440; 348/14.01, 14.02

(56) **References Cited**

**U.S. PATENT DOCUMENTS**

- D. 315,557 \* 3/1991 Grewe et al. .... D14/130
- D. 321,870 \* 11/1991 Beecher, II et al. .... D14/130
- D. 338,658 \* 8/1993 Suzuki ..... D14/340
- D. 342,247 \* 12/1993 Desbarats ..... D14/130
- D. 345,971 \* 4/1994 Grewe et al. .... D14/130
- D. 345,972 \* 4/1994 Grewe et al. .... D14/130
- D. 356,791 \* 3/1995 Desbarats ..... D14/130
- D. 398,302 \* 9/1998 Lio ..... D14/130
- D. 402,978 \* 12/1998 Wang et al. .... D14/130

- D. 410,005 \* 5/1999 Landry et al. .... D14/151
- D. 425,053 \* 5/2000 Clark et al. .... D14/130
- 5,389,965 \* 2/1995 Kuzma ..... 348/14
- 5,412,417 \* 5/1995 Tozuka ..... 348/14

\* cited by examiner

*Primary Examiner*—Jeffrey Asch

(74) *Attorney, Agent, or Firm*—Birch, Stewart, Kolasch & Birch, LLP

(57) **CLAIM**

The ornamental design for a videophone, as shown and described.

**DESCRIPTION**

FIG. 1 is a perspective view of a videophone showing the new design;

FIG. 2 is a front view of the videophone of FIG. 1;

FIG. 3 is a rear view of the videophone of FIG. 1;

FIG. 4 is a left side view of the videophone of FIG. 1;

FIG. 5 is a right side view of the videophone of FIG. 1;

FIG. 6 is a top view of the videophone of FIG. 1;

FIG. 7 is a bottom view of the videophone of FIG. 1;

FIG. 8 is a perspective view similar to FIG. 1 but showing the presence of a hand set; and,

FIG. 9 is a perspective view showing the videophone of FIG. 1 with the screen in a folded state.

The handset has not been shown in FIGS. 1-7 for convenience of illustration.

**1 Claim, 9 Drawing Sheets**



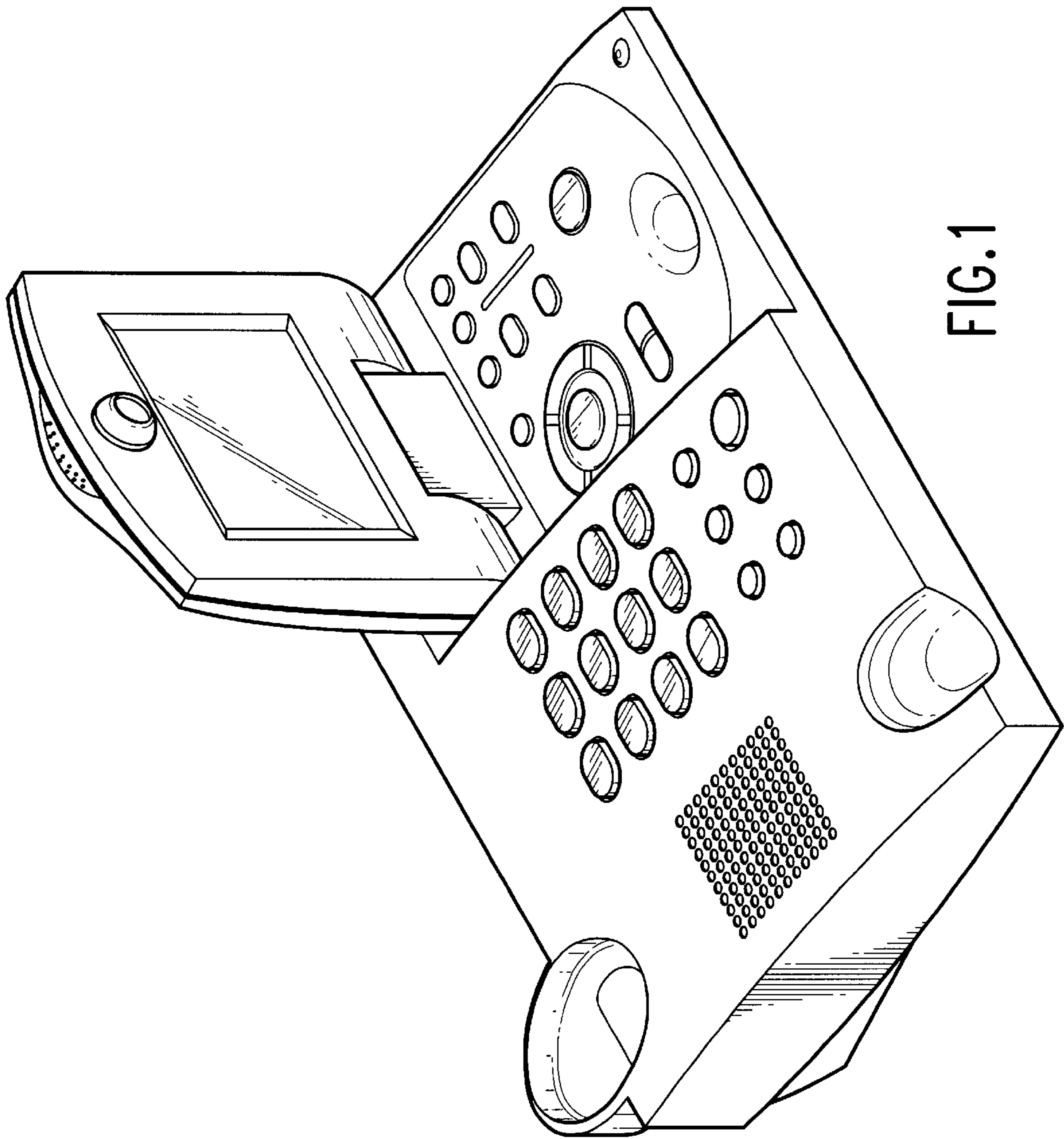


FIG.1

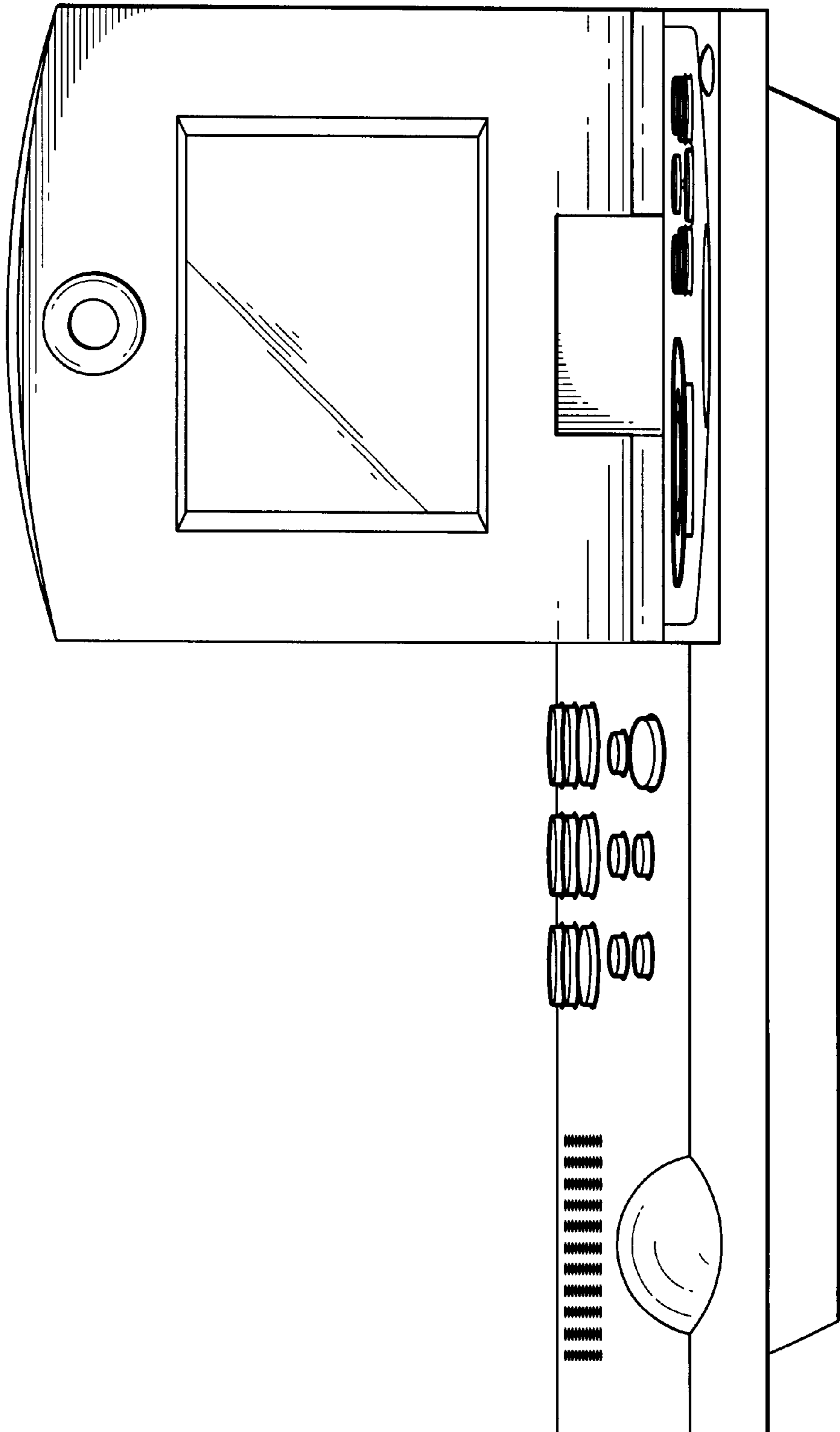


FIG.2

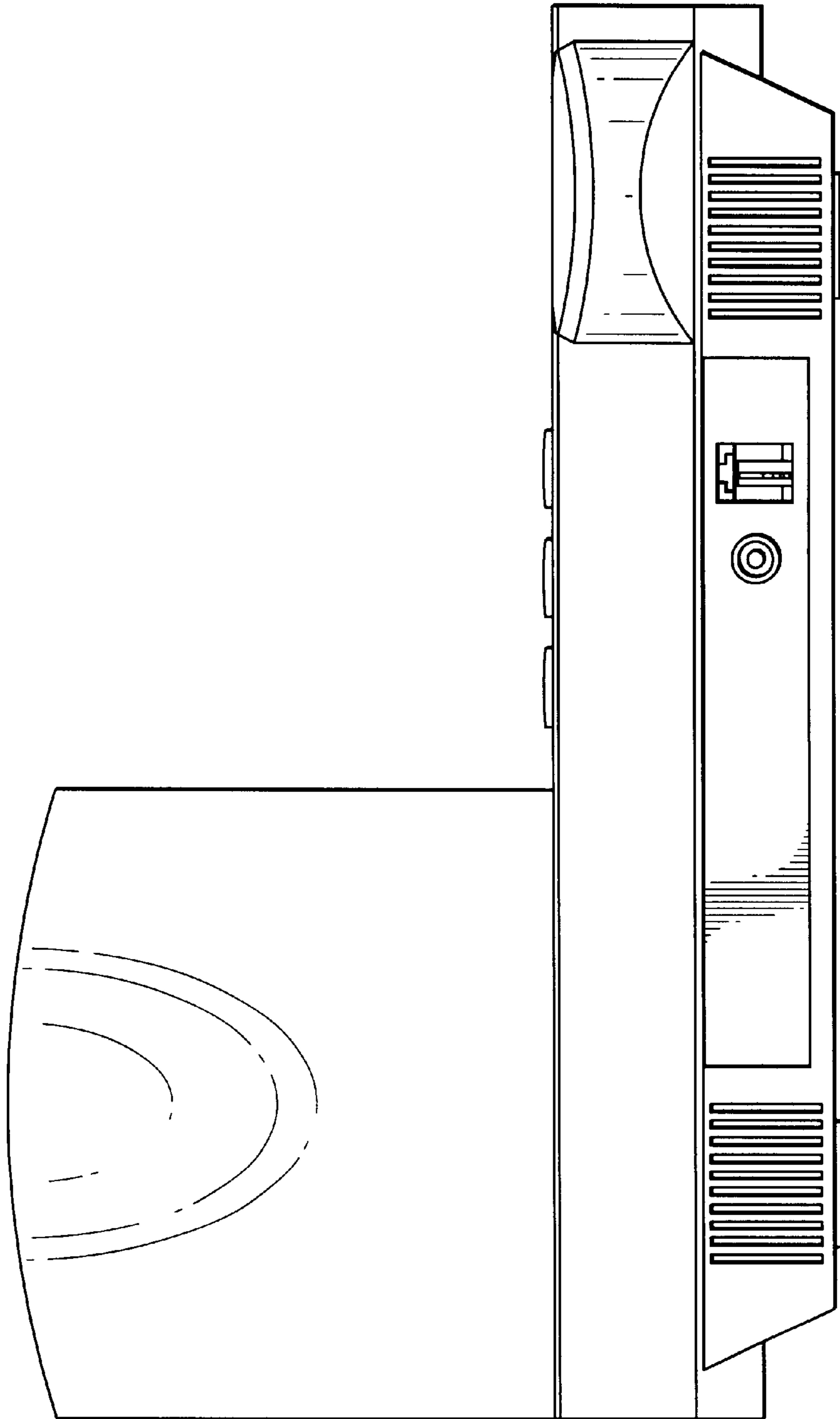


FIG. 3

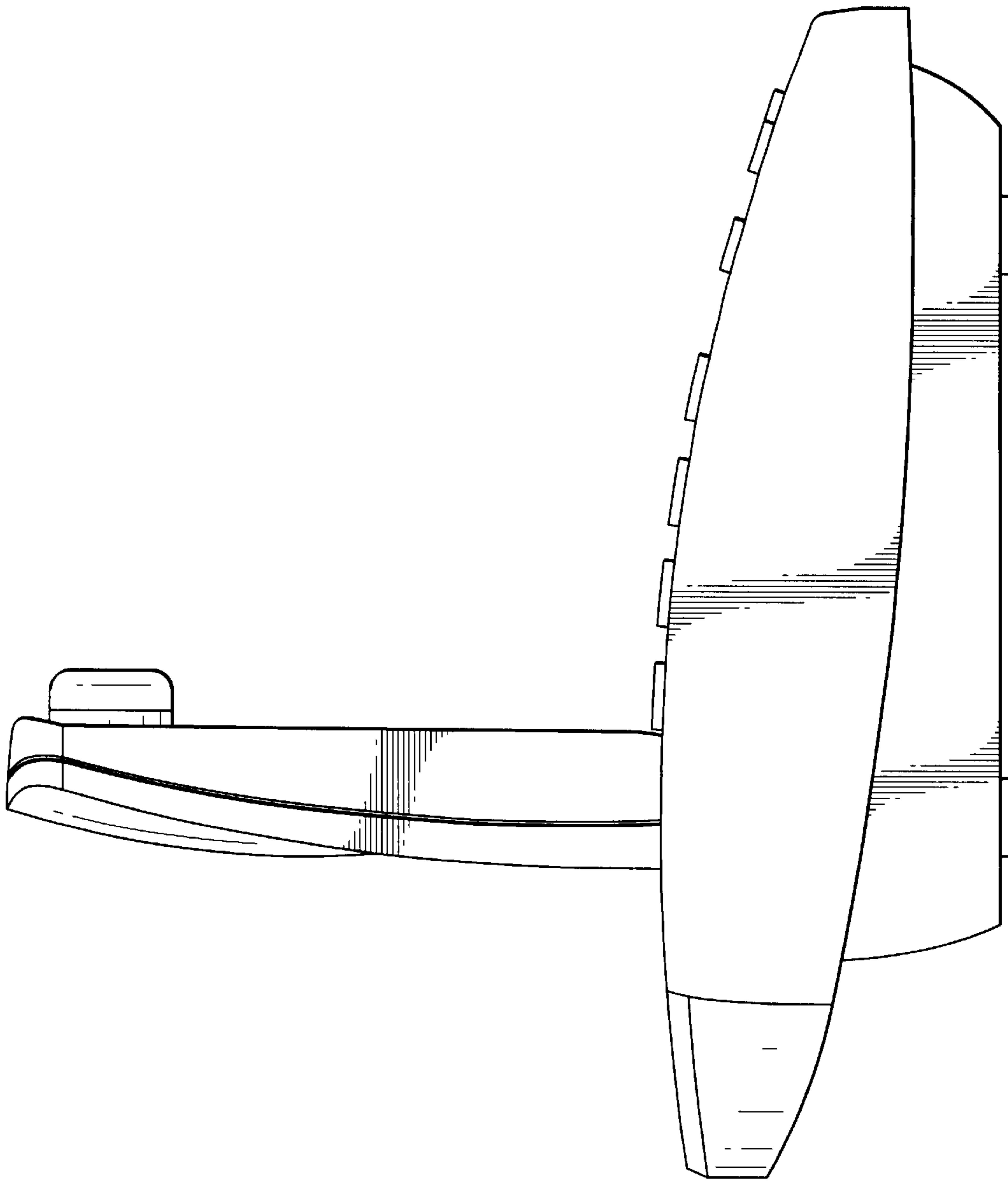


FIG.4

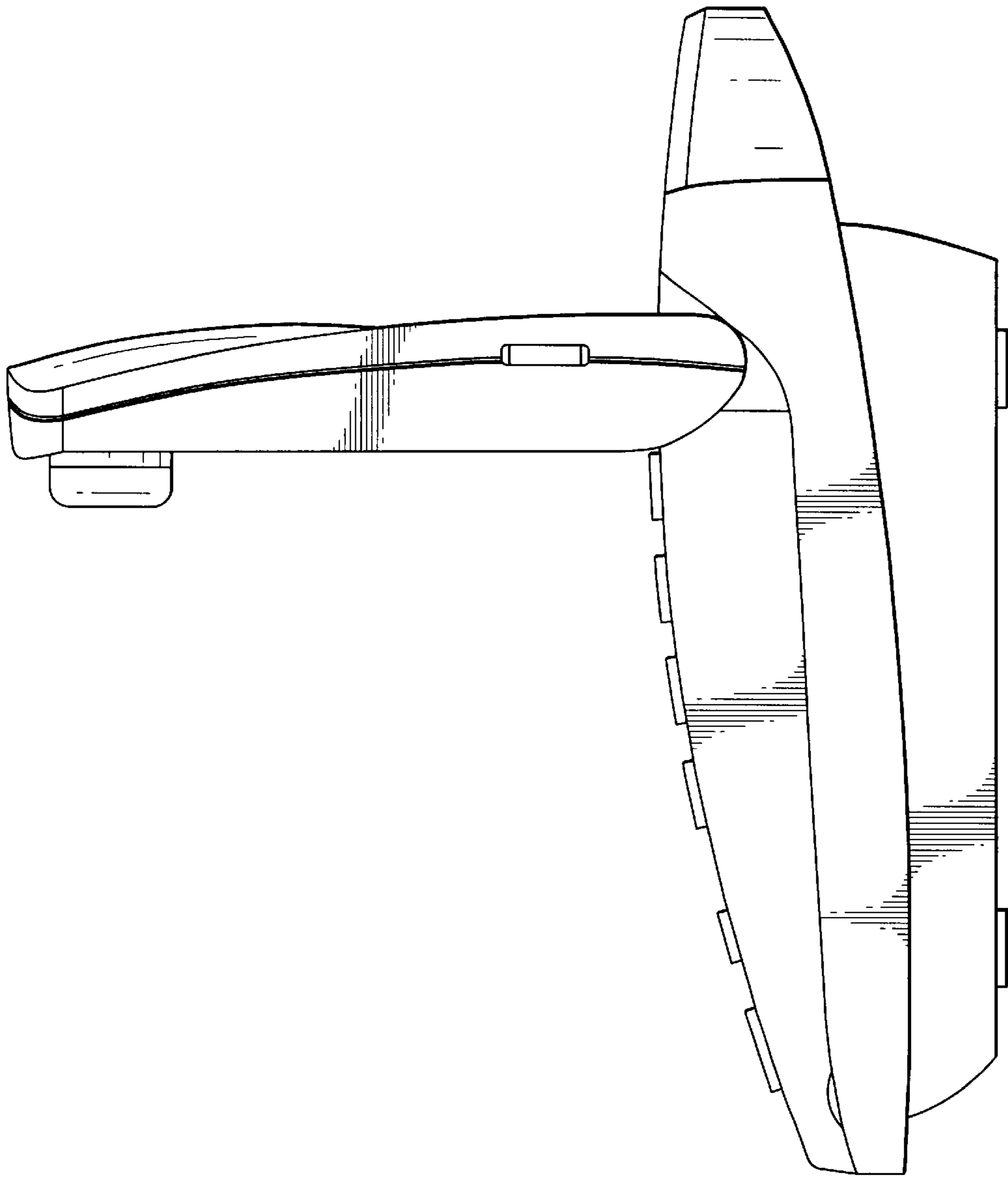
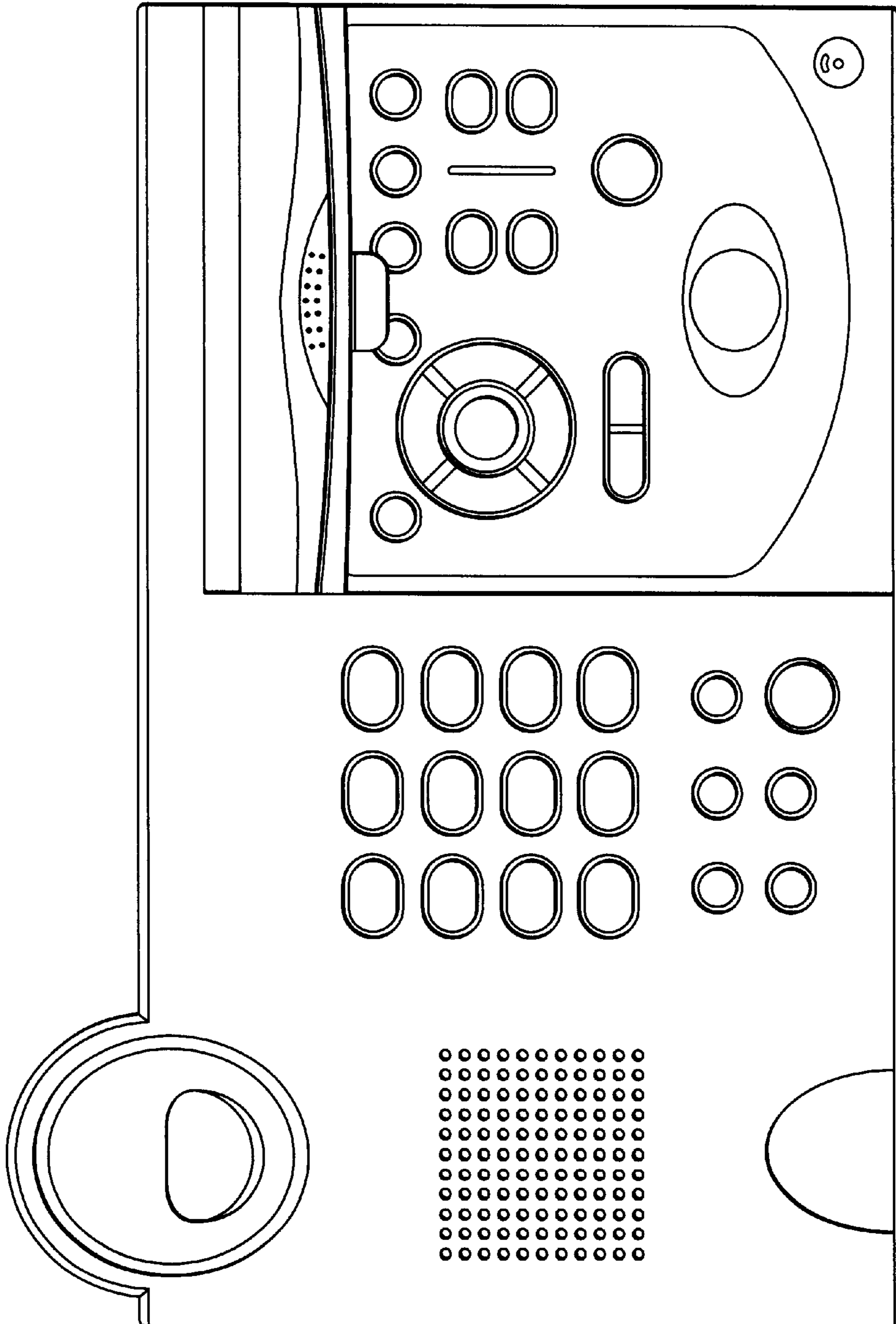


FIG.5



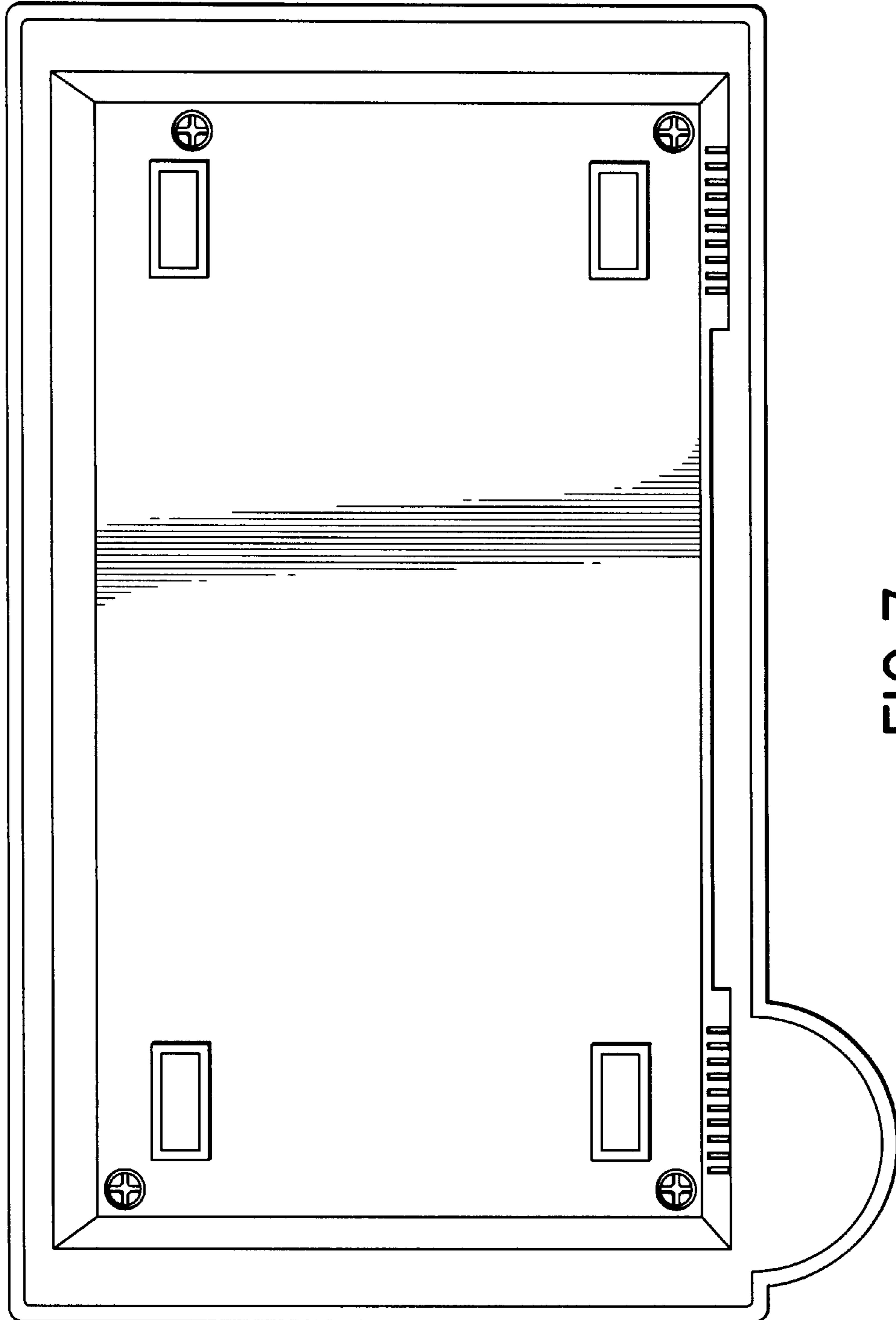


FIG. 7



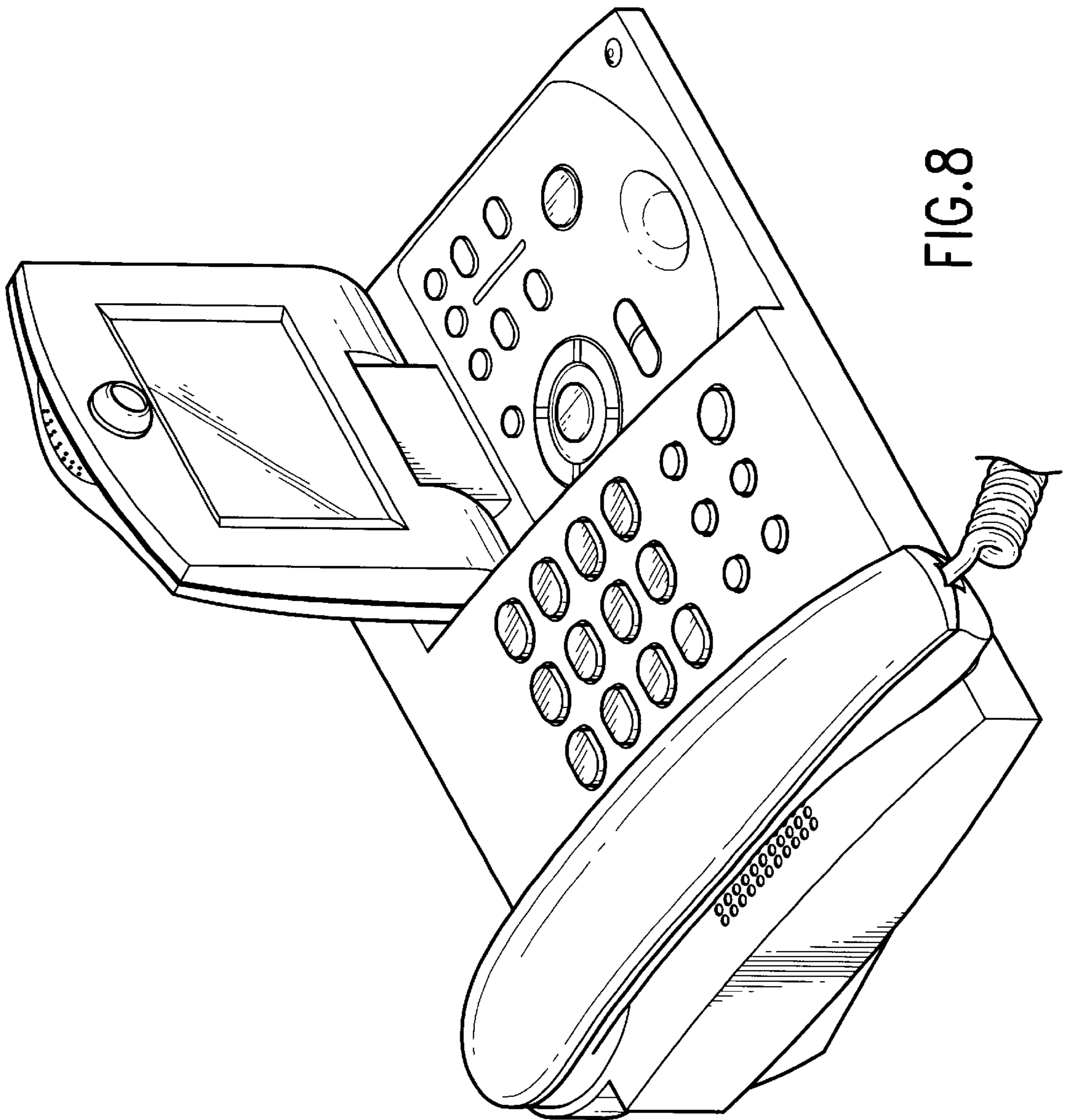


FIG. 8

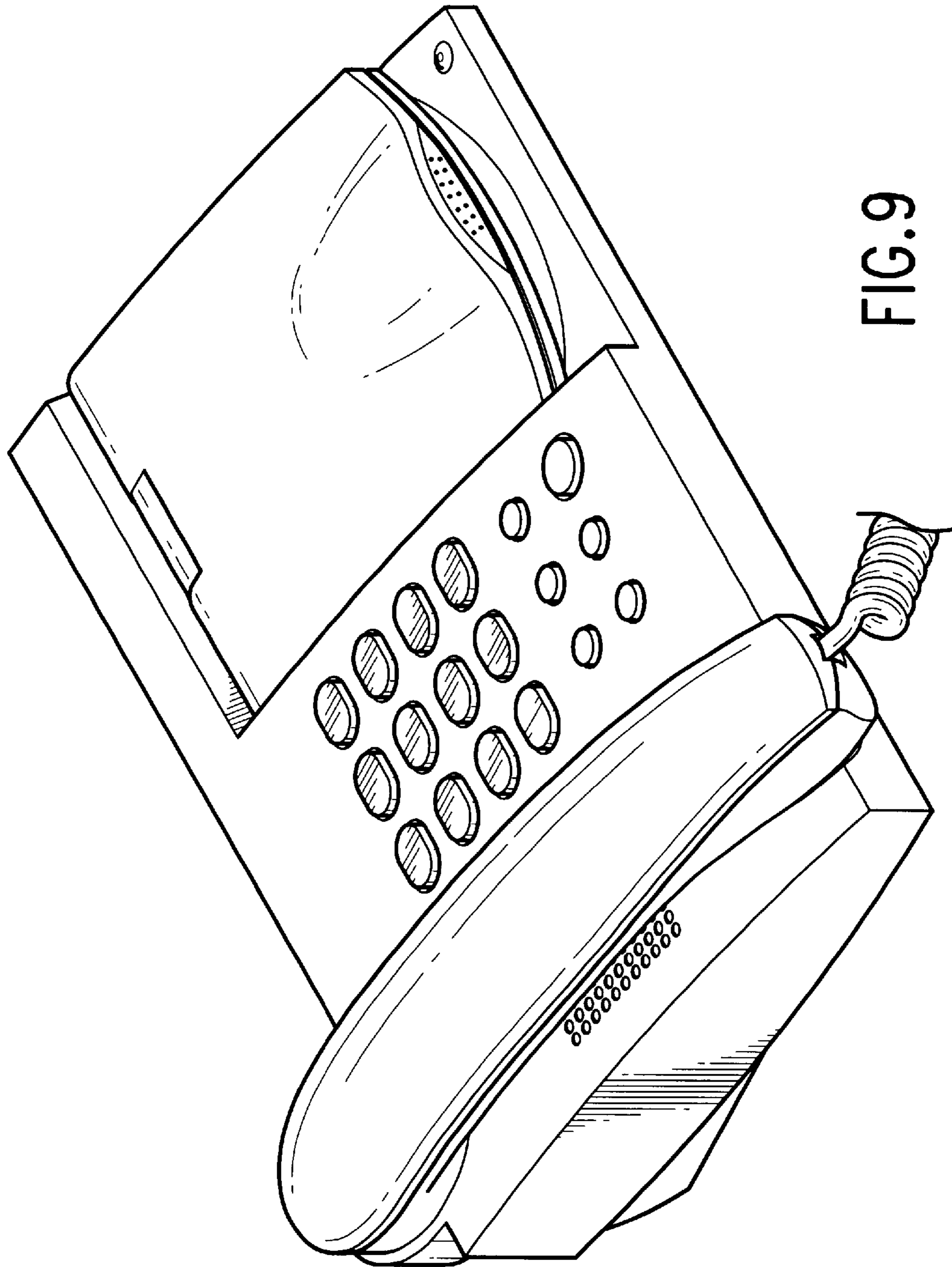


FIG. 9