



US00D452219B1

(12) **United States Design Patent**  
**Koenig, Jr. et al.**

(10) **Patent No.:** **US D452,219 S**

(45) **Date of Patent:** **\*\* Dec. 18, 2001**

(54) **FIBER OPTIC 45 DEGREE CORNER**

6,188,024 \* 2/2001 Benito-Navazo ..... 174/97

(75) Inventors: **Joseph M. Koenig, Jr.**, Glenview;  
**Mark Budzik**, Niles, both of IL (US)

\* cited by examiner

(73) Assignee: **Trim Tex, Inc.**, Lincolnwood, IL (US)

*Primary Examiner*—Jennifer Rivard

(\*\*) Term: **14 Years**

(74) *Attorney, Agent, or Firm*—Rockey, Milnamow & Katz, Ltd.

(21) Appl. No.: **29/123,200**

(57) **CLAIM**

(22) Filed: **May 12, 2000**

The ornamental design for a fiber optic 45 degree corner, as shown and described.

(51) **LOC (7) Cl.** ..... **13-03**

**DESCRIPTION**

(52) **U.S. Cl.** ..... **D13/155**

(58) **Field of Search** ..... D13/154, 155,  
D13/153; 174/48, 49, 72 R, 97, 98, 68.3,  
68.1; 248/226.12

FIG. 1 is a perspective view of a fiber optic 45° corner, showing our new design and taken from a top, back, side vantage;

FIG. 2 is a front elevation thereof;

FIG. 3 is a top plan thereof;

FIG. 4 is a side view thereof, as taken from the left side;

FIG. 5 is a side view thereof, as taken from the right side; and,

FIG. 6 is a back elevation thereof.

(56) **References Cited**

**U.S. PATENT DOCUMENTS**

D. 334,380	*	3/1993	Henneberger	.....	D13/155
D. 348,651	*	7/1994	Henneberger	.....	D13/155
D. 413,306	*	8/1999	Sherer et al.	.....	D13/155
3,471,629	*	10/1969	O'Leary	.....	174/49
6,037,543	*	3/2000	Nicoli et al.	.....	174/72 R
6,049,040	*	4/2000	Biles et al.	.....	174/68.3

Broken-line showings of pintles extending from the fiber optic 45° corner are illustrative only and form no part of the claimed design.

**1 Claim, 1 Drawing Sheet**

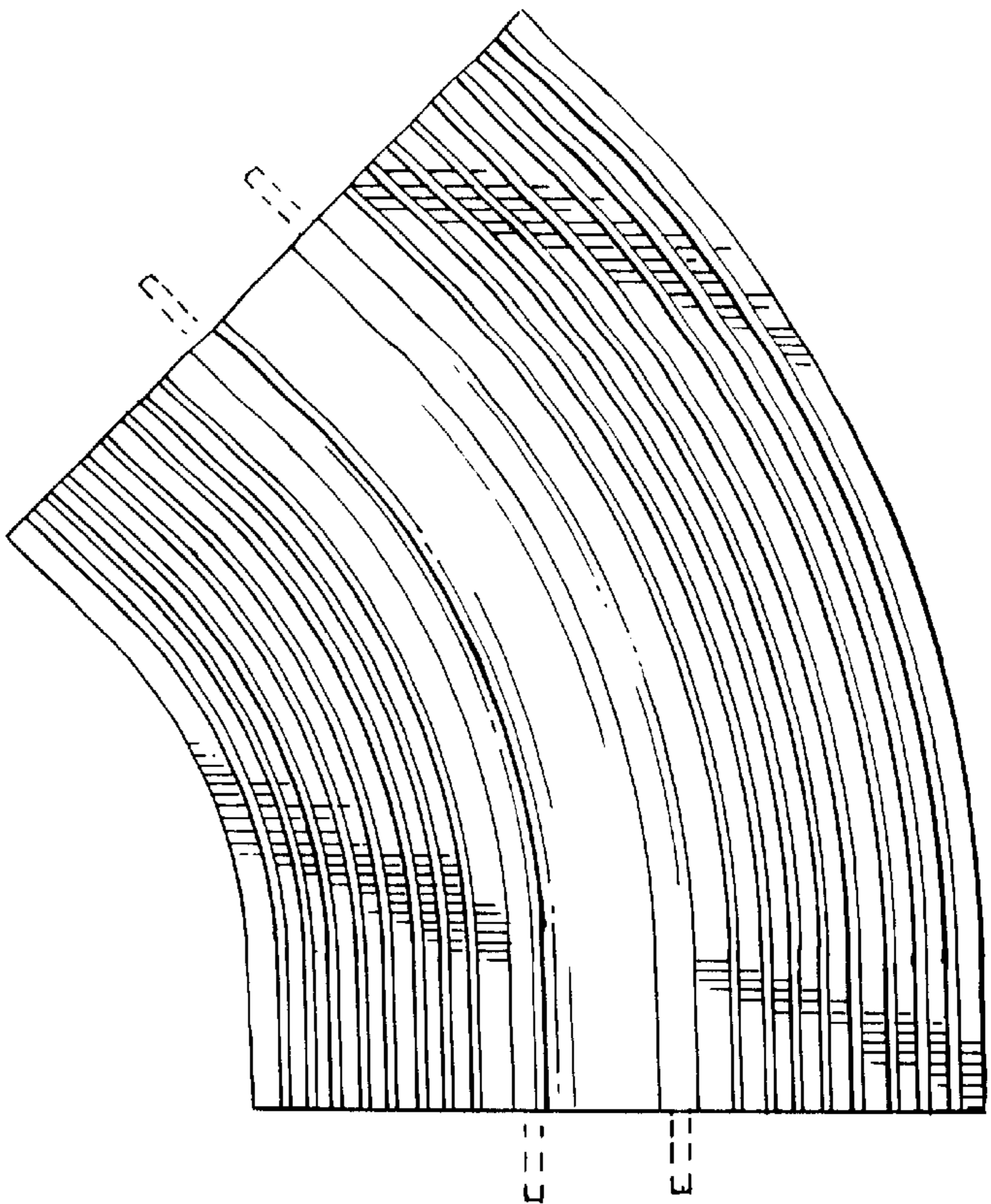
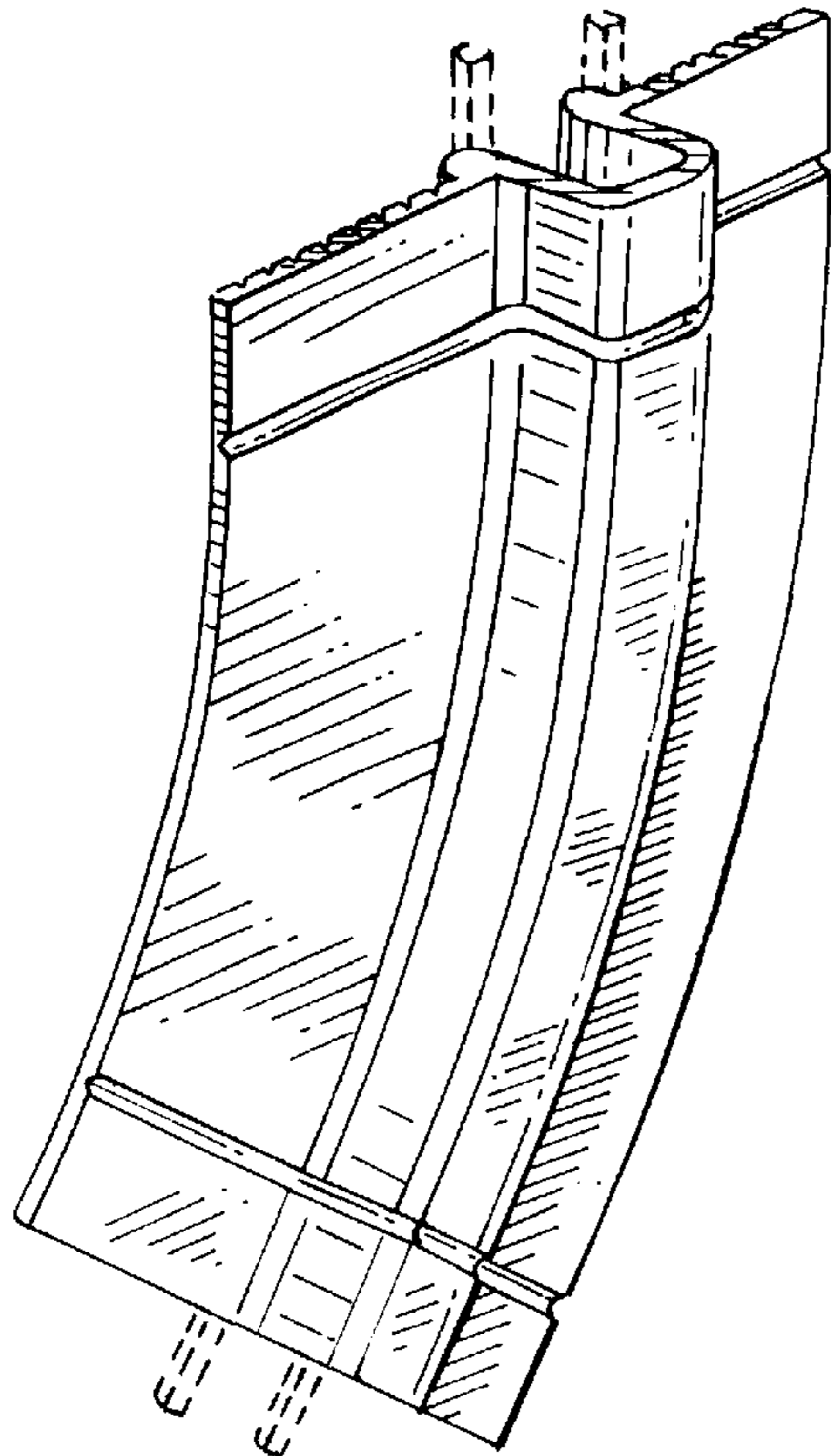


FIG. 1

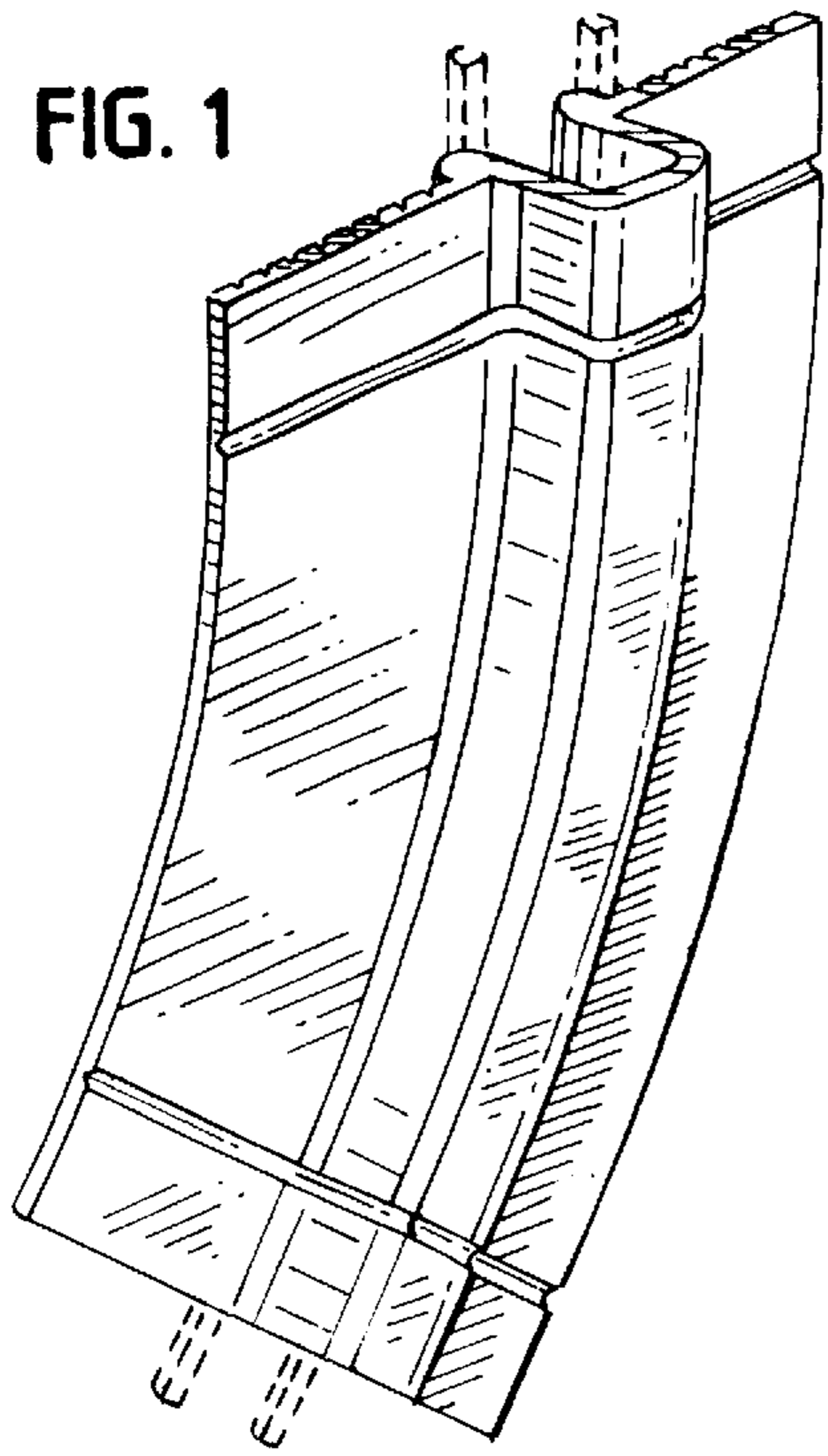


FIG. 6

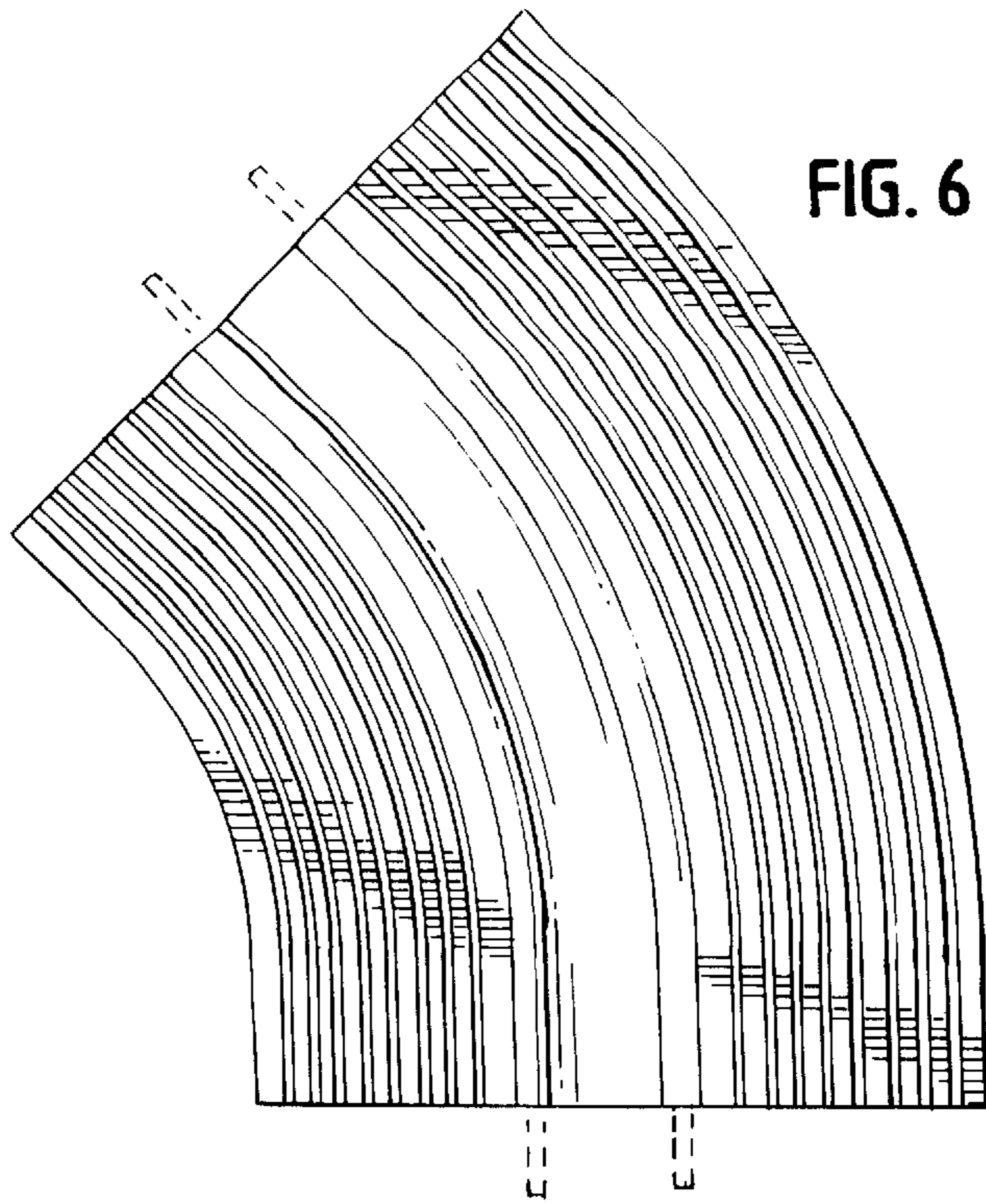


FIG. 3

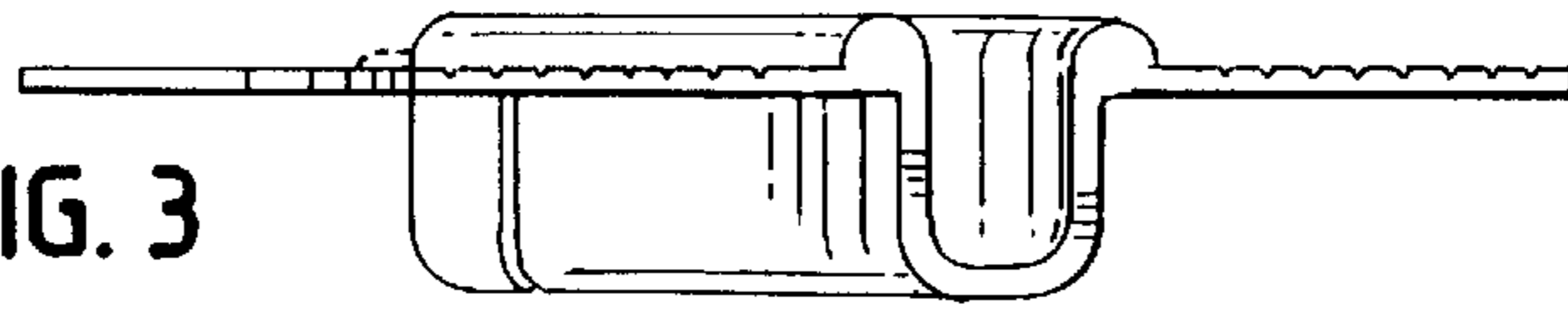


FIG. 4

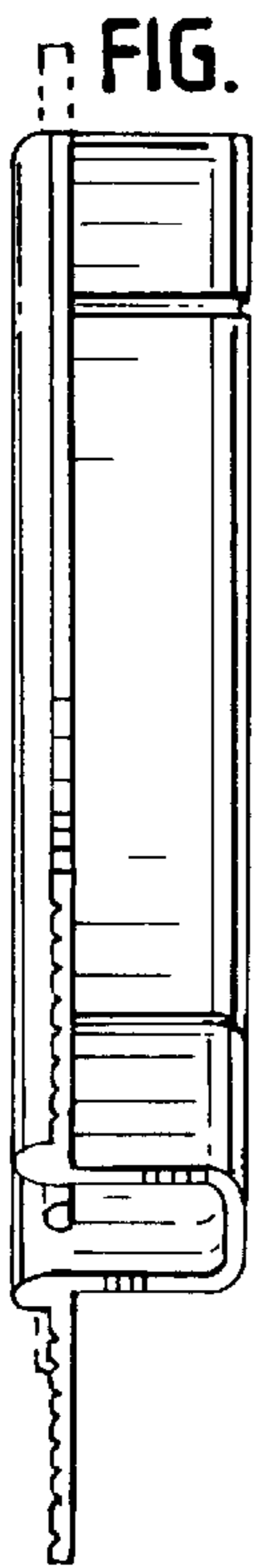


FIG. 2

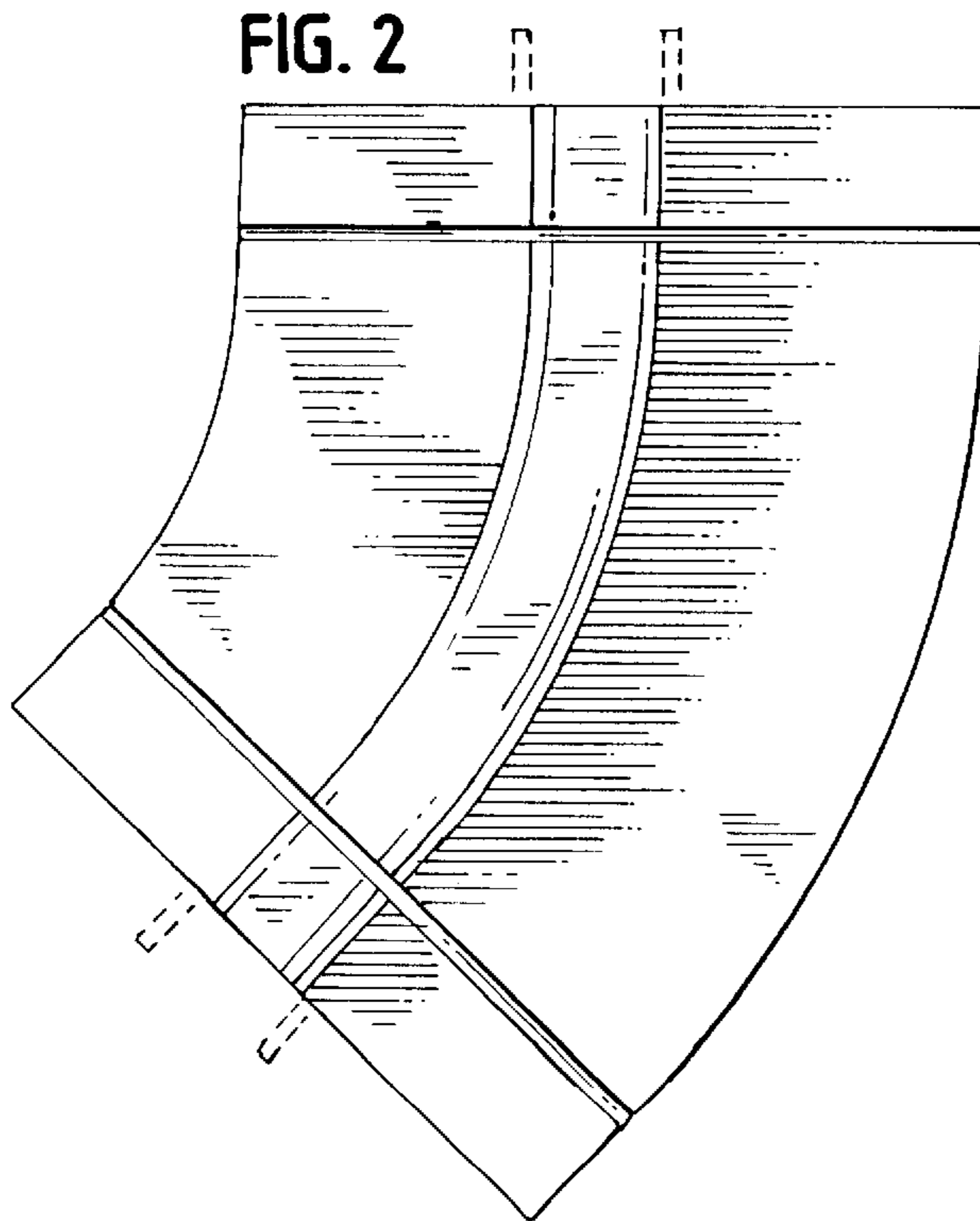


FIG. 5

