



US00D452216B1

(12) **United States Design Patent**
Garman

(10) **Patent No.:** **US D452,216 S**

(45) **Date of Patent:** **** Dec. 18, 2001**

(54) **HOUSING FOR VARIABLE ELECTRIC
POWER PROBE**

4,728,303 * 3/1988 Slack 439/620
6,064,042 * 5/2000 Glucksman et al. 219/452.13
6,250,931 * 6/2001 Mendelson 439/39

(75) Inventor: **Michael S. Garman**, Stafford, VA (US)

* cited by examiner

(73) Assignee: **Hamilton Beach/Proctor-Silex, Inc.**,
Glen Allen, VA (US)

Primary Examiner—Jennifer Rivard

(74) *Attorney, Agent, or Firm*—Roger S. Dybvig

(**) Term: **14 Years**

(57) **CLAIM**

(21) Appl. No.: **29/130,831**

The ornamental design for a housing for variable electric power probe, as shown and described.

(22) Filed: **Oct. 10, 2000**

DESCRIPTION

(51) **LOC (7) Cl.** **13-03**

(52) **U.S. Cl.** **D13/145; D13/154**

(58) **Field of Search** 439/38, 39, 374,
439/380, 620; 219/435, 441, 452.13; 338/22 R,
28; 337/381; D13/133, 145, 154, 156

FIG. 1 is a top and front perspective view of a housing for variable electric power probe showing my new design; FIG. 2 is a bottom and rear perspective view thereof; FIG. 3 is a front elevational view thereof; and, FIG. 4 is a rear elevational view thereof.

(56) **References Cited**

The probe and the power cord shown by phantom lines in FIG. 1 are for illustration only and form no part of my design.

U.S. PATENT DOCUMENTS

D. 439,881 * 4/2001 Choi D13/145

1 Claim, 2 Drawing Sheets

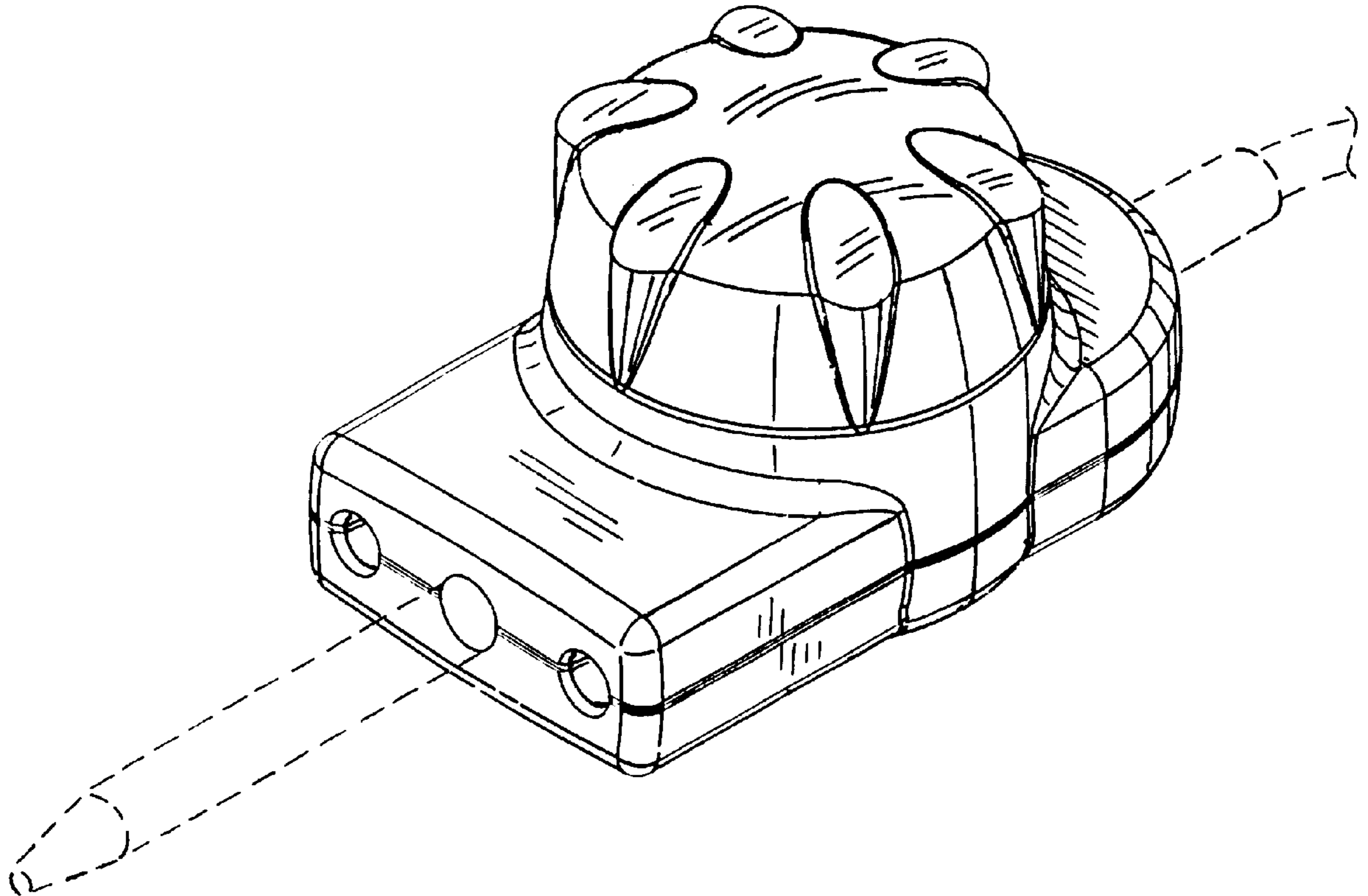


FIG-1

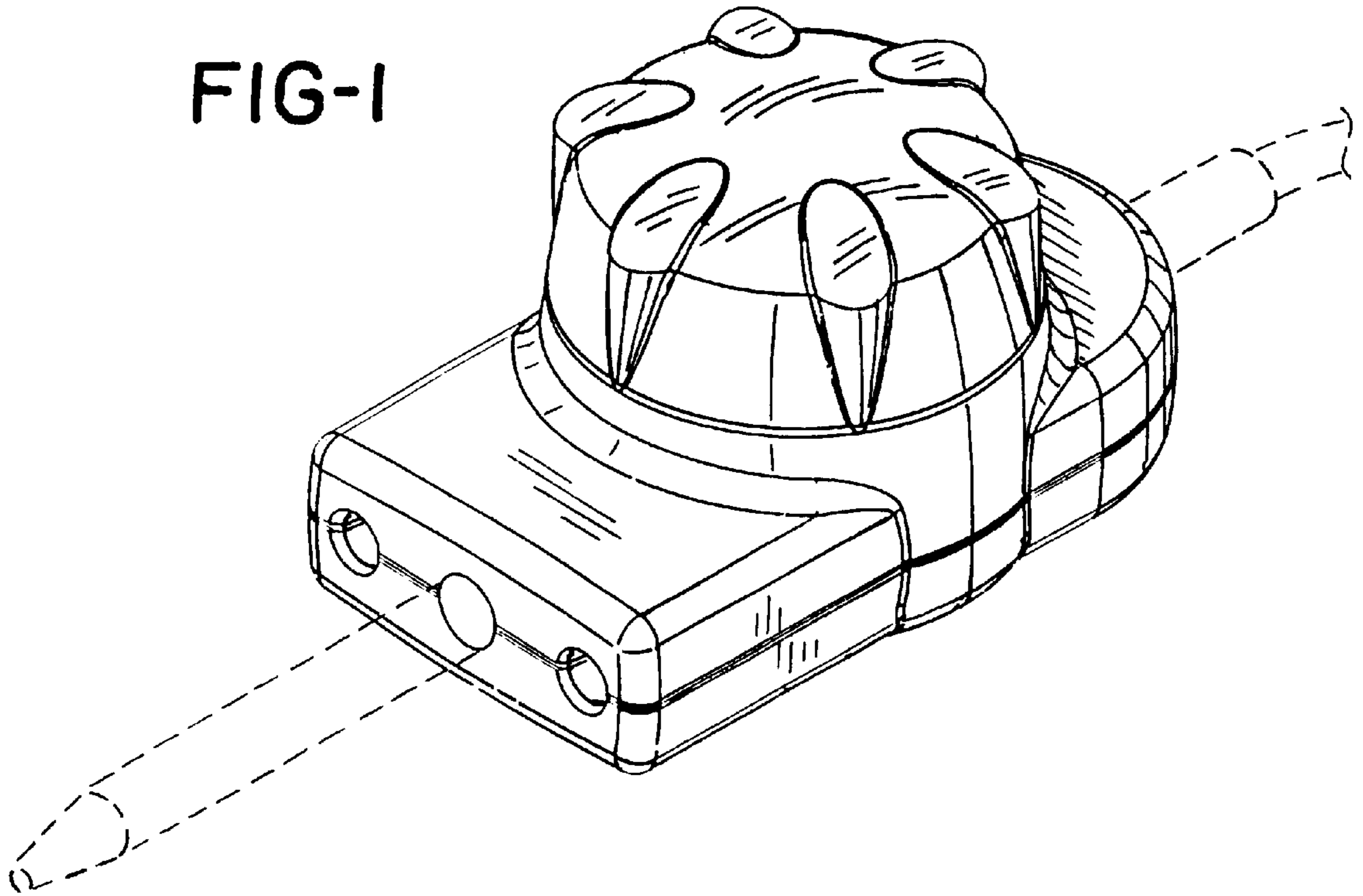


FIG-2

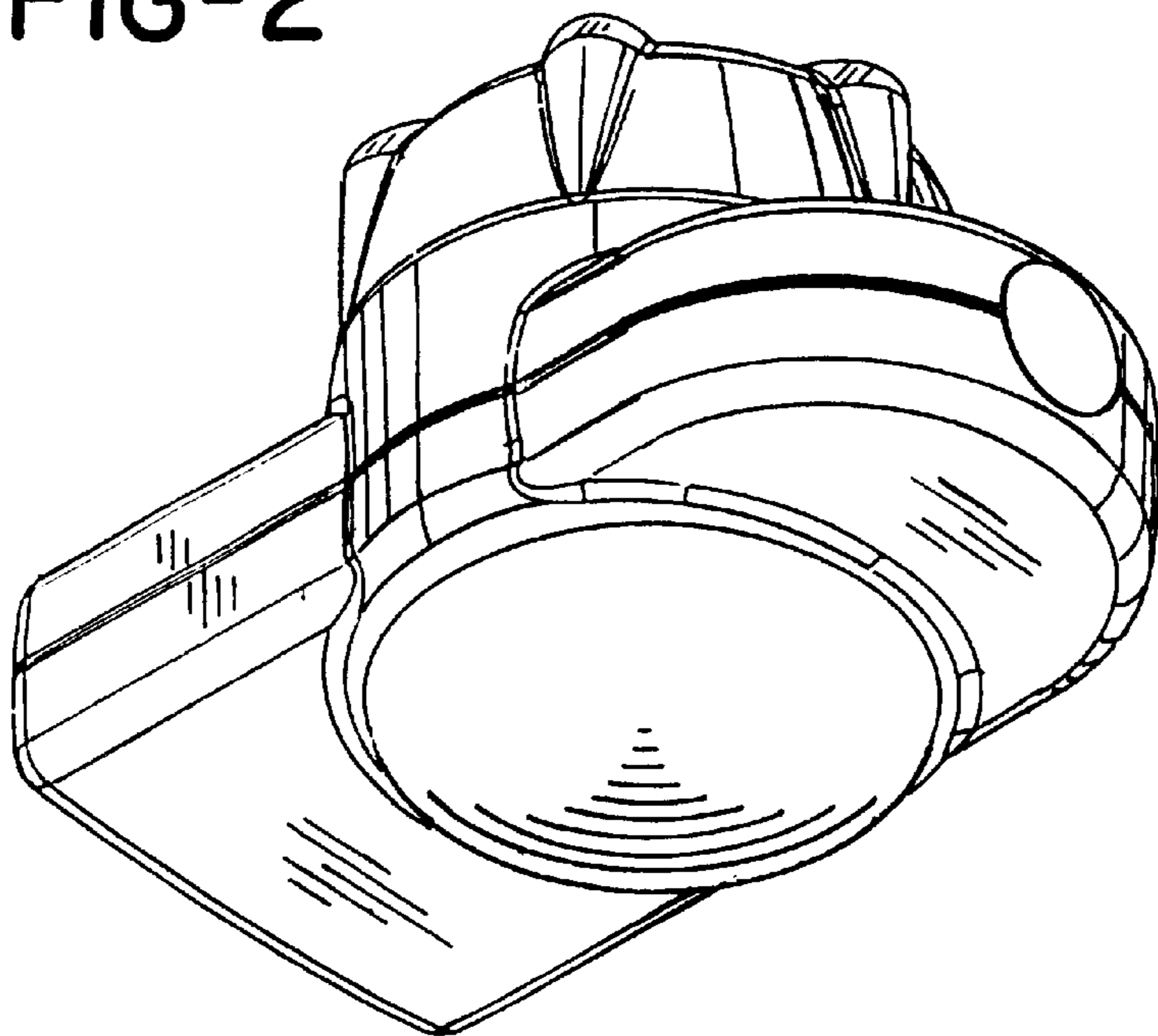


FIG-3

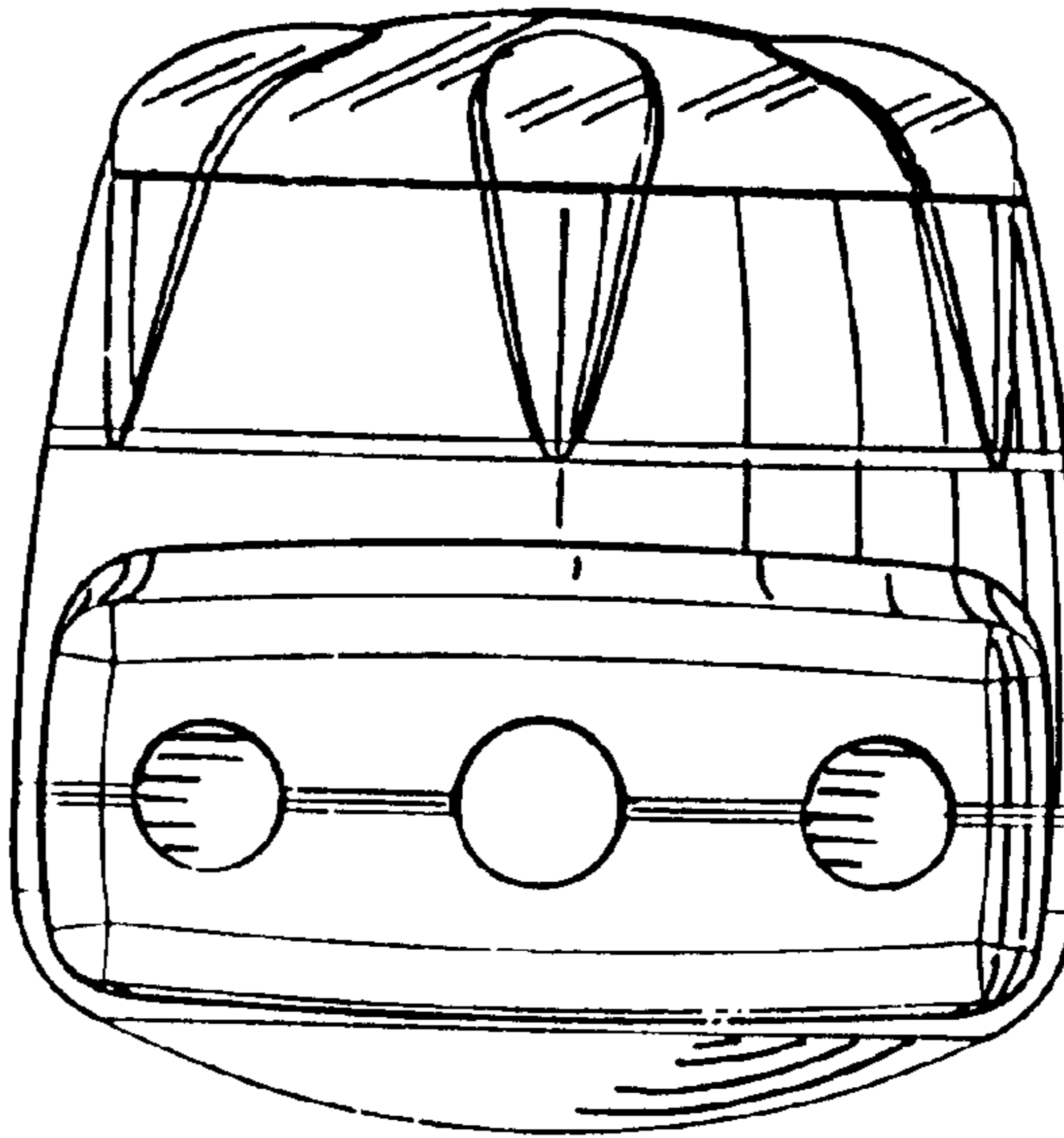


FIG-4

