



US00D452214B1

(12) **United States Design Patent**  
**Vieno et al.**

(10) **Patent No.:** **US D452,214 S**

(45) **Date of Patent:** **\*\* Dec. 18, 2001**

(54) **ADAPTER CONNECTOR**

(75) Inventors: **Clint Vieno**, Londonderry, NH (US);  
**Prasad Rao**, Lowell, MA (US);  
**William R. Manning**, Littleton, MA  
(US); **Arthur J. Blake, Jr.**, Leominster,  
MA (US)

(73) Assignee: **American Power Conversion**, West  
Kingston, RI (US)

(\*\*) Term: **14 Years**

(21) Appl. No.: **29/133,887**

(22) Filed: **Dec. 8, 2000**

(51) **LOC (7) Cl.** ..... **13-03**

(52) **U.S. Cl.** ..... **D13/133**

(58) **Field of Search** ..... D13/133, 154,  
D13/156, 144; 439/119, 300, 323, 365,  
928.1, 4, 501, 528

(56) **References Cited**

**U.S. PATENT DOCUMENTS**

- D. 266,559 \* 10/1982 Gibbs ..... D13/138.1
- D. 267,713 \* 1/1983 Noda et al. .... D13/133

- D. 300,425 \* 3/1989 Sumita ..... D13/133
- D. 361,751 \* 8/1995 Geis ..... D13/154
- D. 443,593 \* 6/2001 Milan ..... D13/154
- 3,725,848 \* 4/1973 Davidson ..... 439/501 X
- 6,116,960 \* 9/2000 Lloyd et al. .... 439/668

\* cited by examiner

*Primary Examiner*—Joel Sincavage

(74) *Attorney, Agent, or Firm*—Mintz, Levin, Cohn, Ferris,  
Glovsky and Popeo, P.C.

(57) **CLAIM**

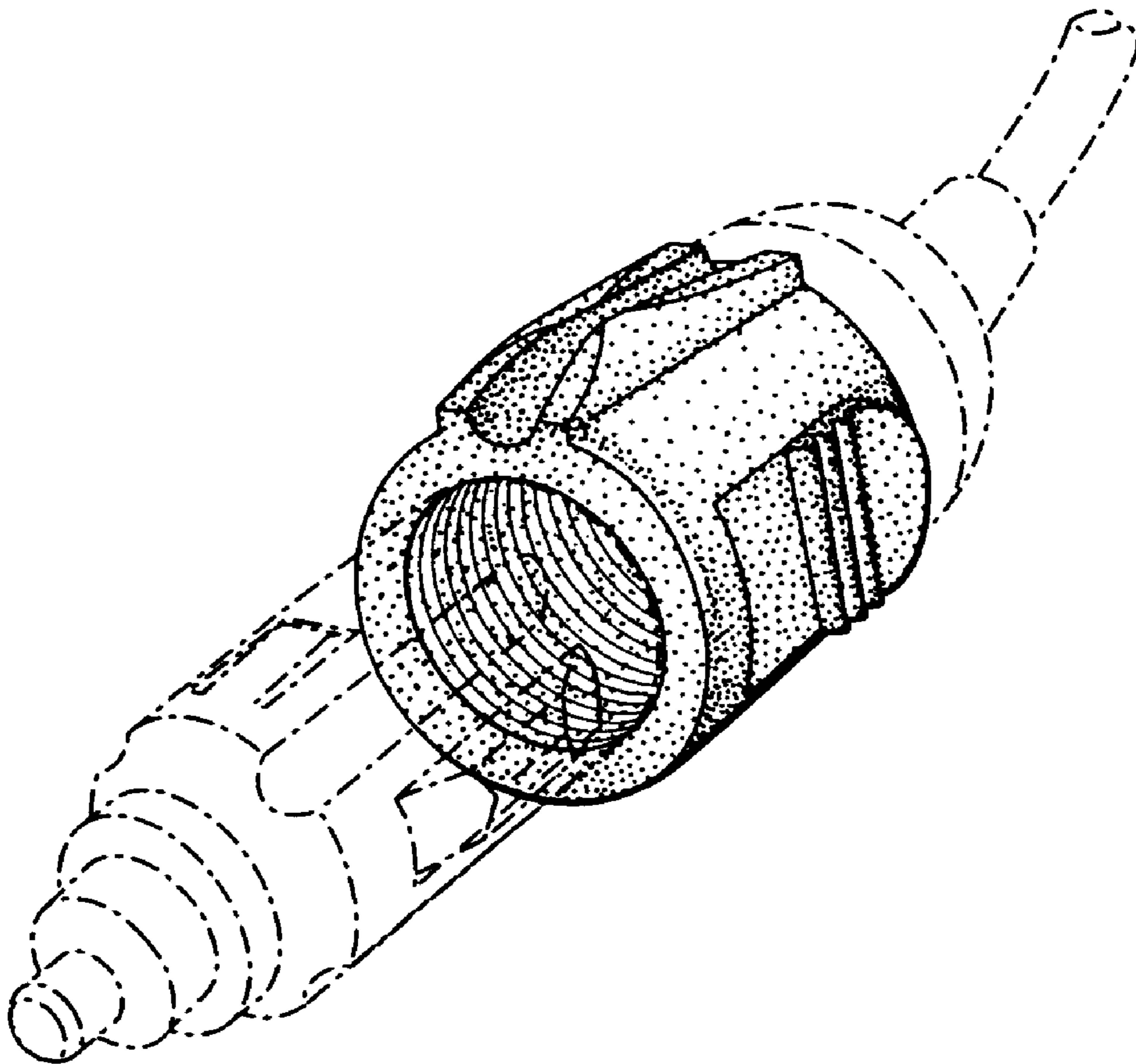
The ornamental design for a adapter connector, as shown  
and described.

**DESCRIPTION**

FIG. 1 is a perspective view showing our new design;  
FIG. 2 is a top plan view thereof;  
FIG. 3 is a bottom plan view thereof;  
FIG. 4 is a right side elevational view thereof;  
FIG. 5 is a bottom end view thereof; and,  
FIG. 6 is a top end view thereof.

The portions of the adapter connector in broken lines are for  
illustrative purposes only and form no part of the claimed  
design.

**1 Claim, 2 Drawing Sheets**



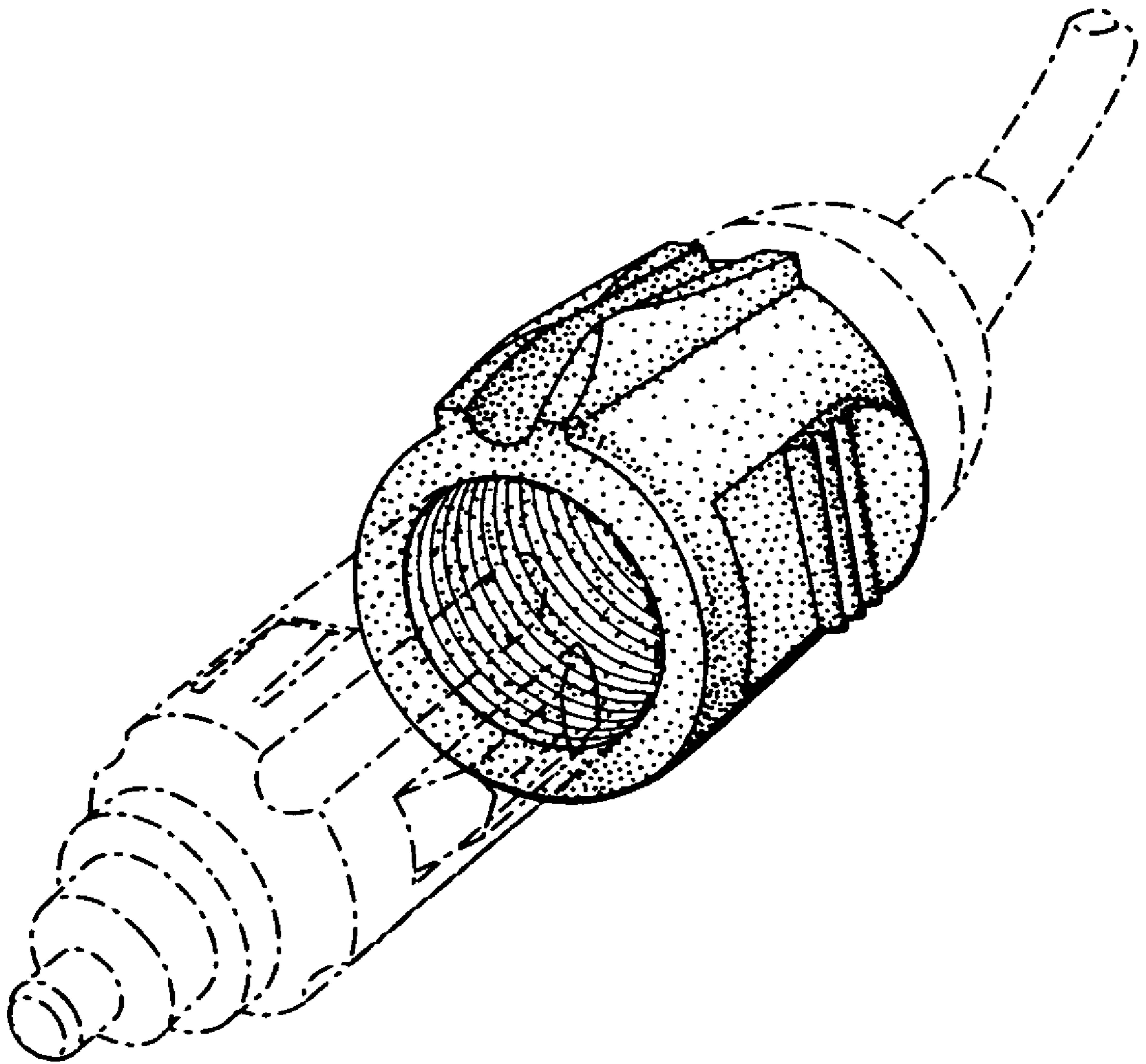


Fig. 1

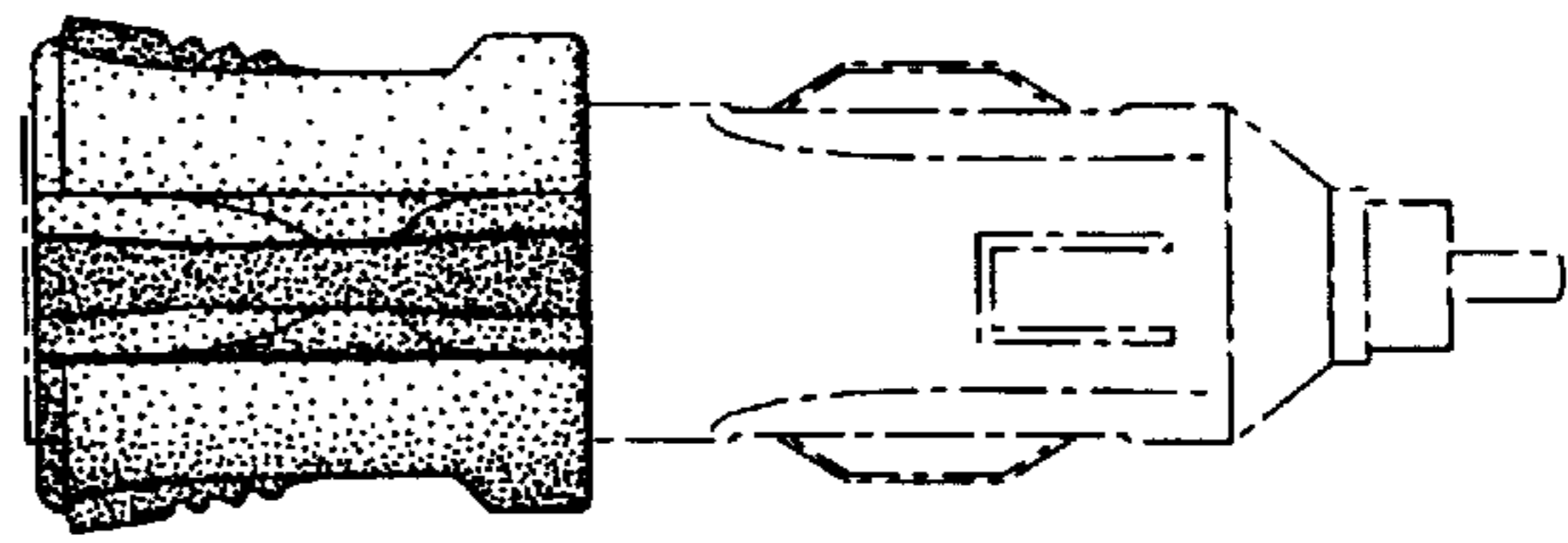
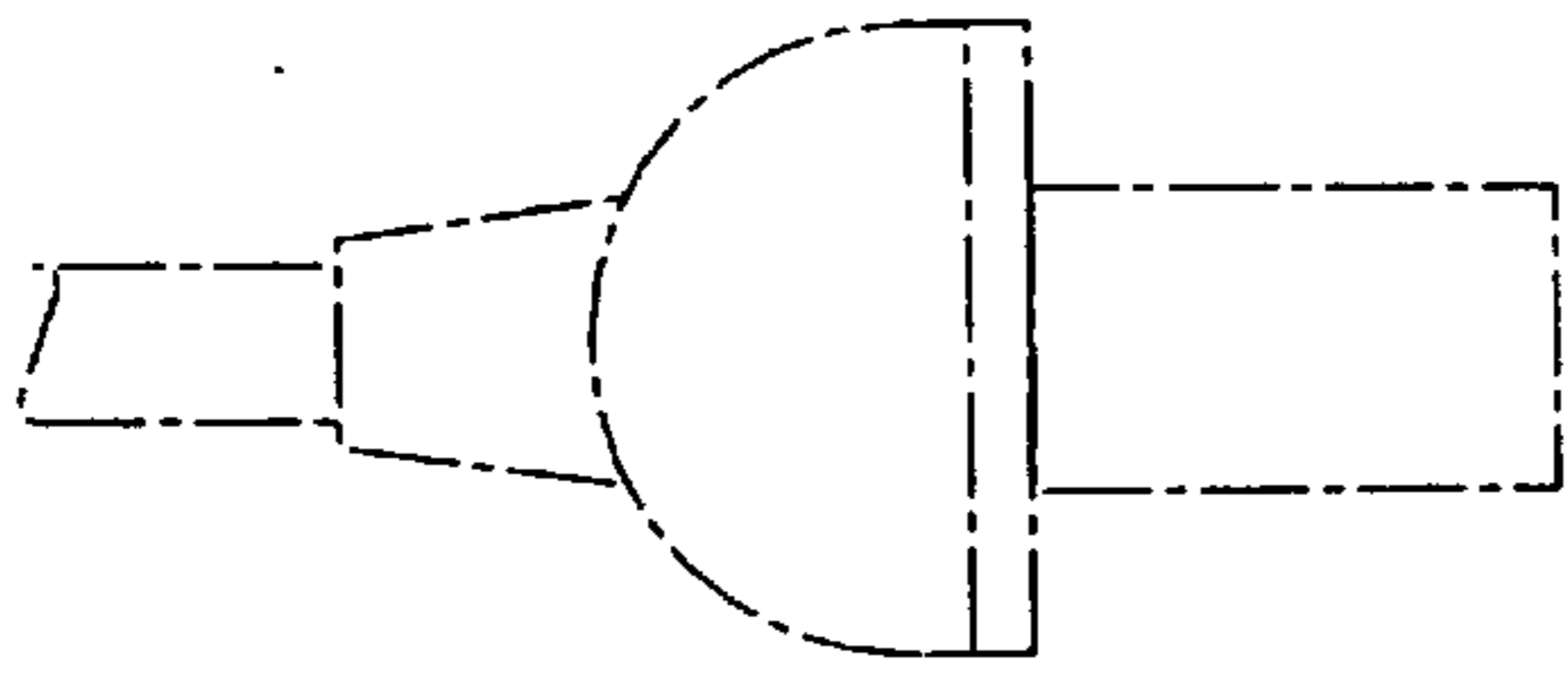


Fig. 2

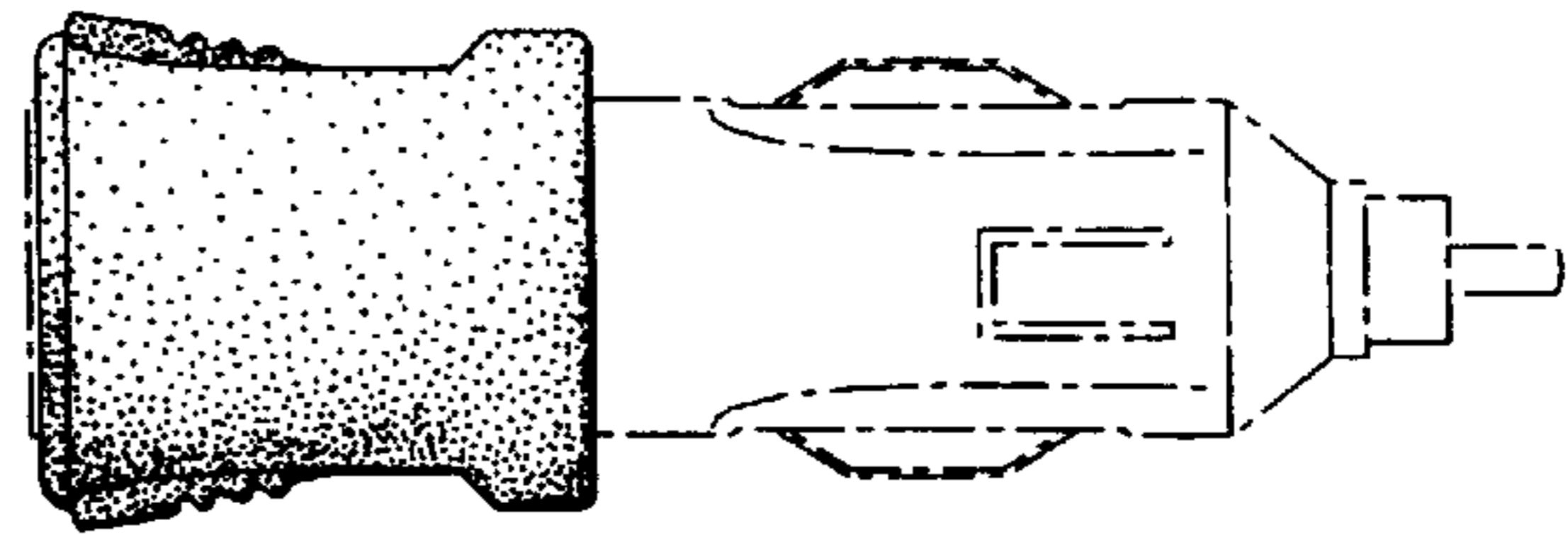
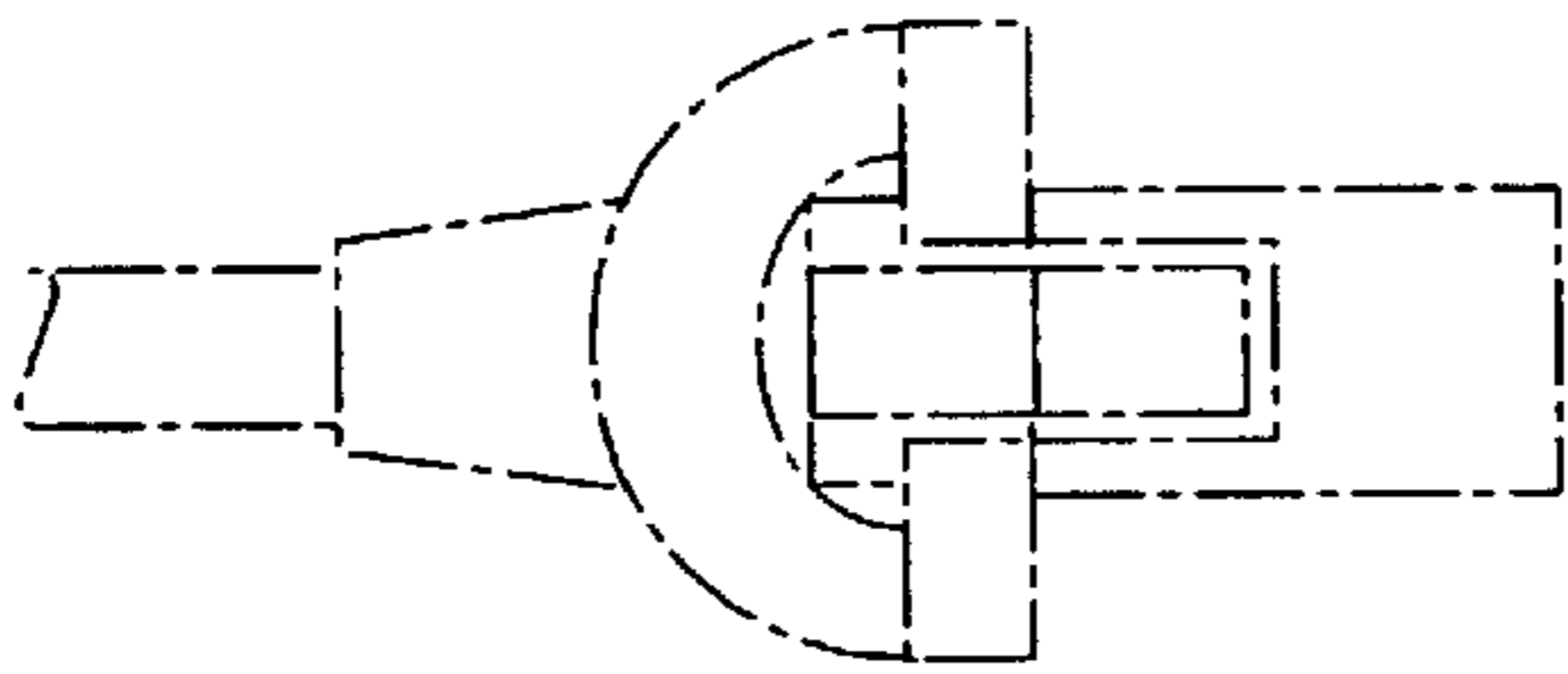


Fig. 3

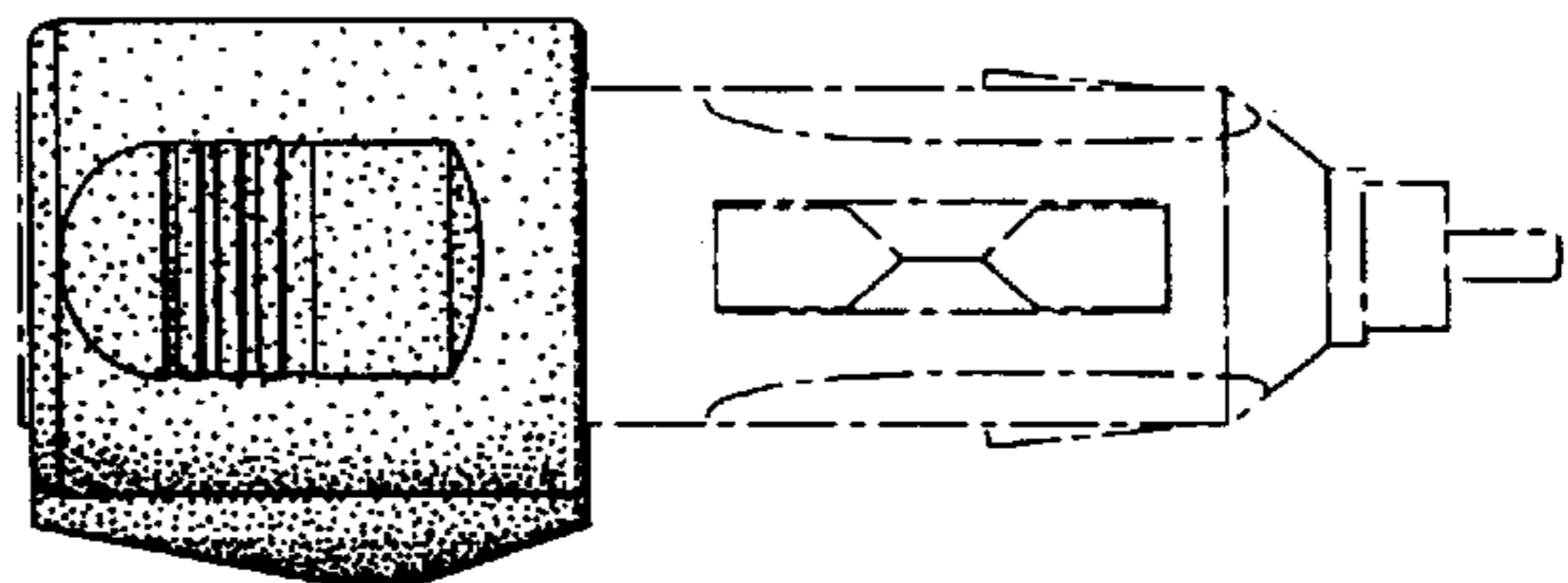
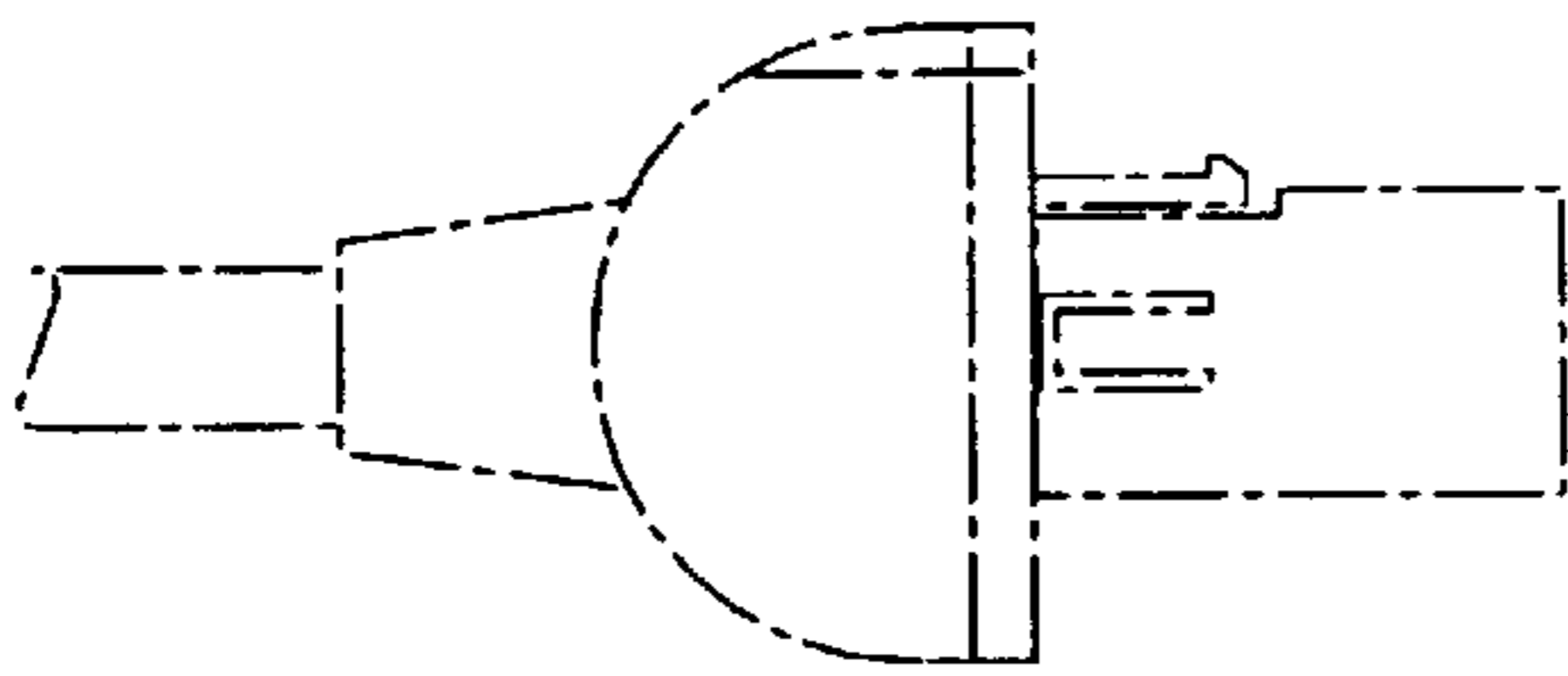


Fig. 4

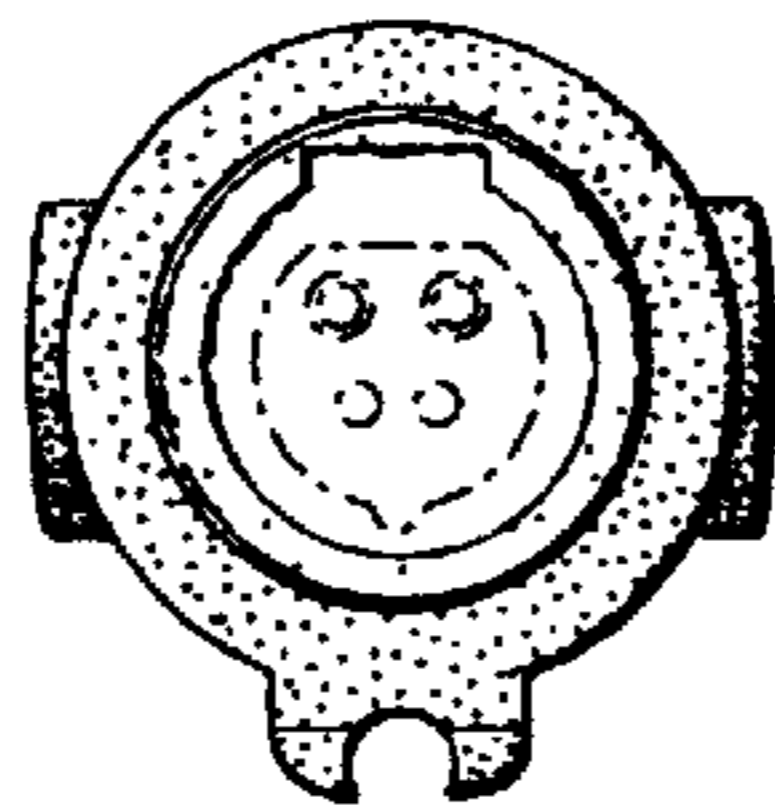


Fig. 5

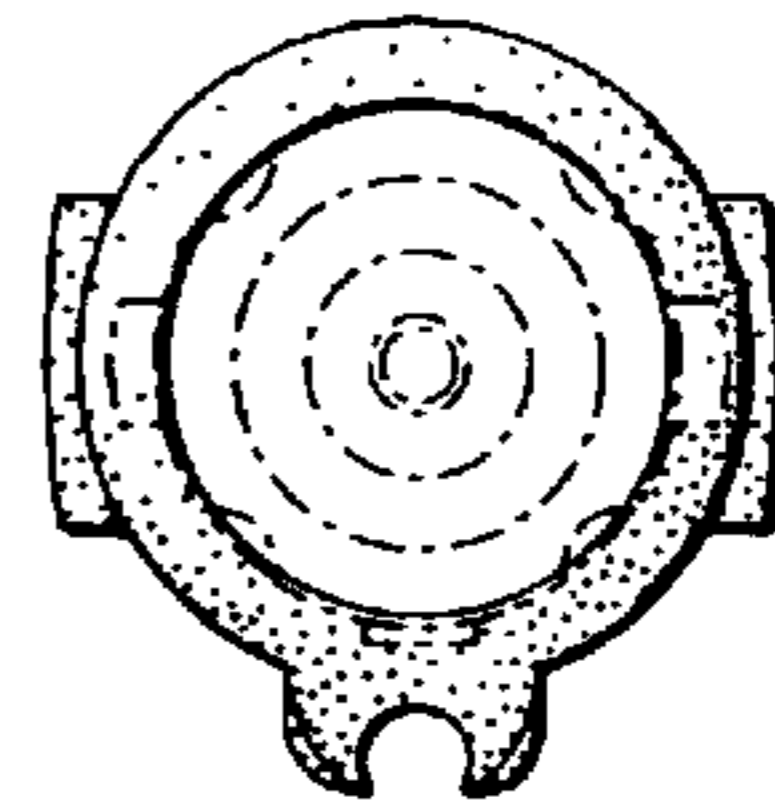


Fig. 6

UNITED STATES PATENT AND TRADEMARK OFFICE  
**CERTIFICATE OF CORRECTION**

PATENT NO. : Des 452,214 S  
DATED : December 18, 2001  
INVENTOR(S) : Clint Veino et al.

Page 1 of 1

It is certified that error appears in the above-identified patent and that said Letters Patent is hereby corrected as shown below:

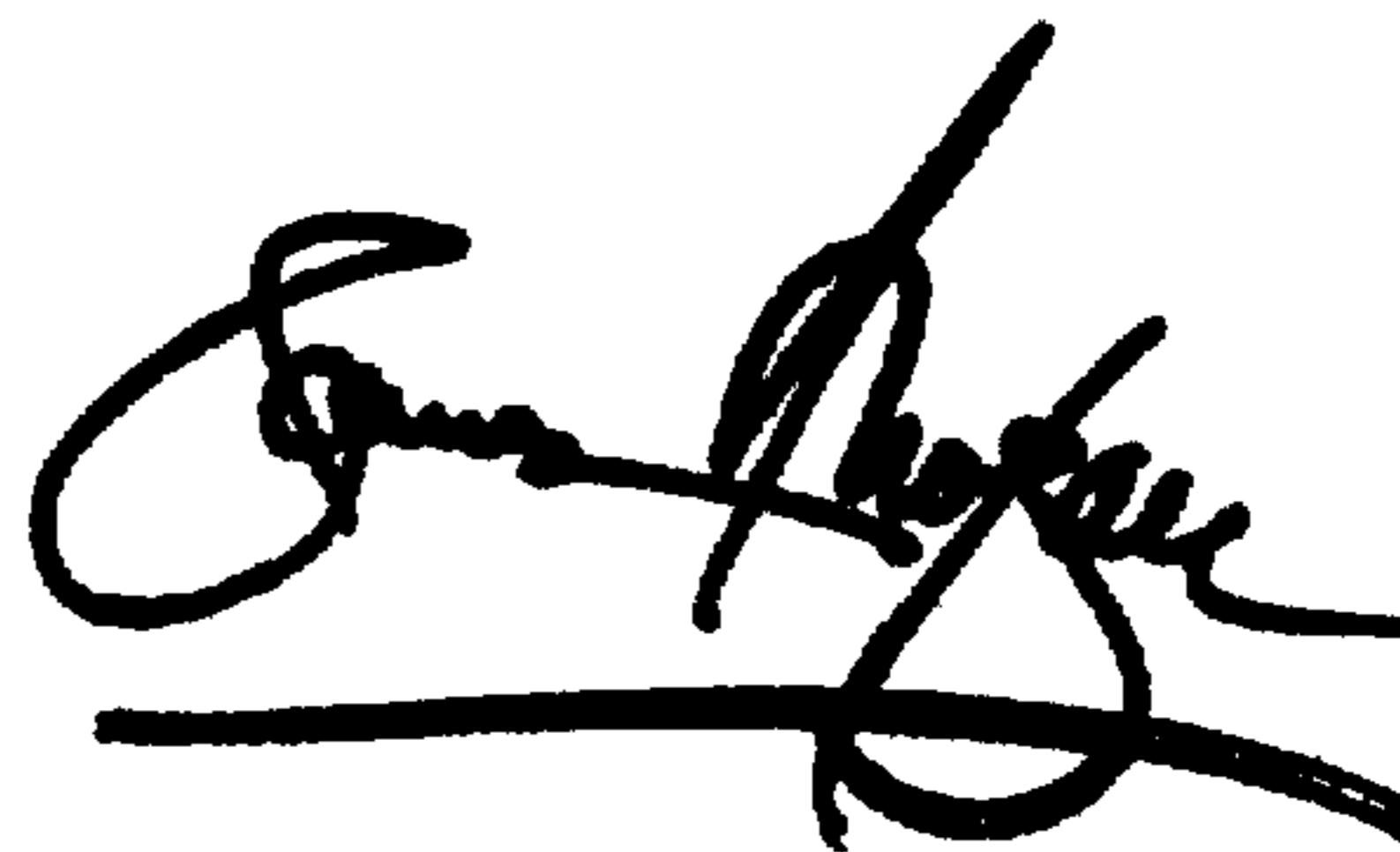
Title page.

On the first inventors name, after Clint, delete "Vieno" and insert -- Veino --.

Signed and Sealed this

Twenty-sixth Day of March, 2002

*Attest:*



*Attesting Officer*

JAMES E. ROGAN  
*Director of the United States Patent and Trademark Office*