



US00D452211B1

(12) **United States Design Patent**
Takechi

(10) **Patent No.:** **US D452,211 S**

(45) **Date of Patent:** **** Dec. 18, 2001**

(54) **VEHICLE WHEEL**

(75) Inventor: **Toshinori Takechi, Matsuyama (JP)**

(73) Assignee: **Takechi Project Co., Ltd. (JP)**

(**) Term: **14 Years**

(21) Appl. No.: **29/145,330**

(22) Filed: **Jul. 20, 2001**

(30) **Foreign Application Priority Data**

Apr. 19, 2001 (JP) 12-011353

(51) **LOC (7) Cl.** **12-16**

(52) **U.S. Cl.** **D12/209**

(58) **Field of Search** D12/204-211;
301/37.1, 64.1, 65

(56) **References Cited**

U.S. PATENT DOCUMENTS

- D. 368,885 * 4/1996 Wagner D12/209
- D. 396,681 * 8/1998 Boyer D12/209
- D. 403,289 * 12/1998 Watanabe D12/209
- D. 407,052 * 3/1999 Kelley D12/209
- D. 409,545 * 5/1999 Mauer D12/209

- D. 416,531 * 11/1999 Gabath D12/209
- D. 420,637 * 2/2000 Glade D12/209
- D. 422,258 * 4/2000 Hale, Jr. D12/211

* cited by examiner

Primary Examiner—Stacia Cadmus

(74) *Attorney, Agent, or Firm*—SAIDMAN DesignLaw Group

(57) **CLAIM**

The ornamental design for a vehicle wheel, as shown and described.

DESCRIPTION

FIG. 1 is a perspective view of a vehicle wheel showing my new design;
 FIG. 2 is a top plan view thereof;
 FIG. 3 is a front elevational view thereof;
 FIG. 4 is a rear elevational view thereof;
 FIG. 5 is a bottom plan view thereof;
 FIG. 6 is a left side elevational view thereof;
 FIG. 7 is a right side elevational view thereof; and,
 FIG. 8 is a sectional view taken along line VIII-VIII shown in FIG. 3.

1 Claim, 8 Drawing Sheets

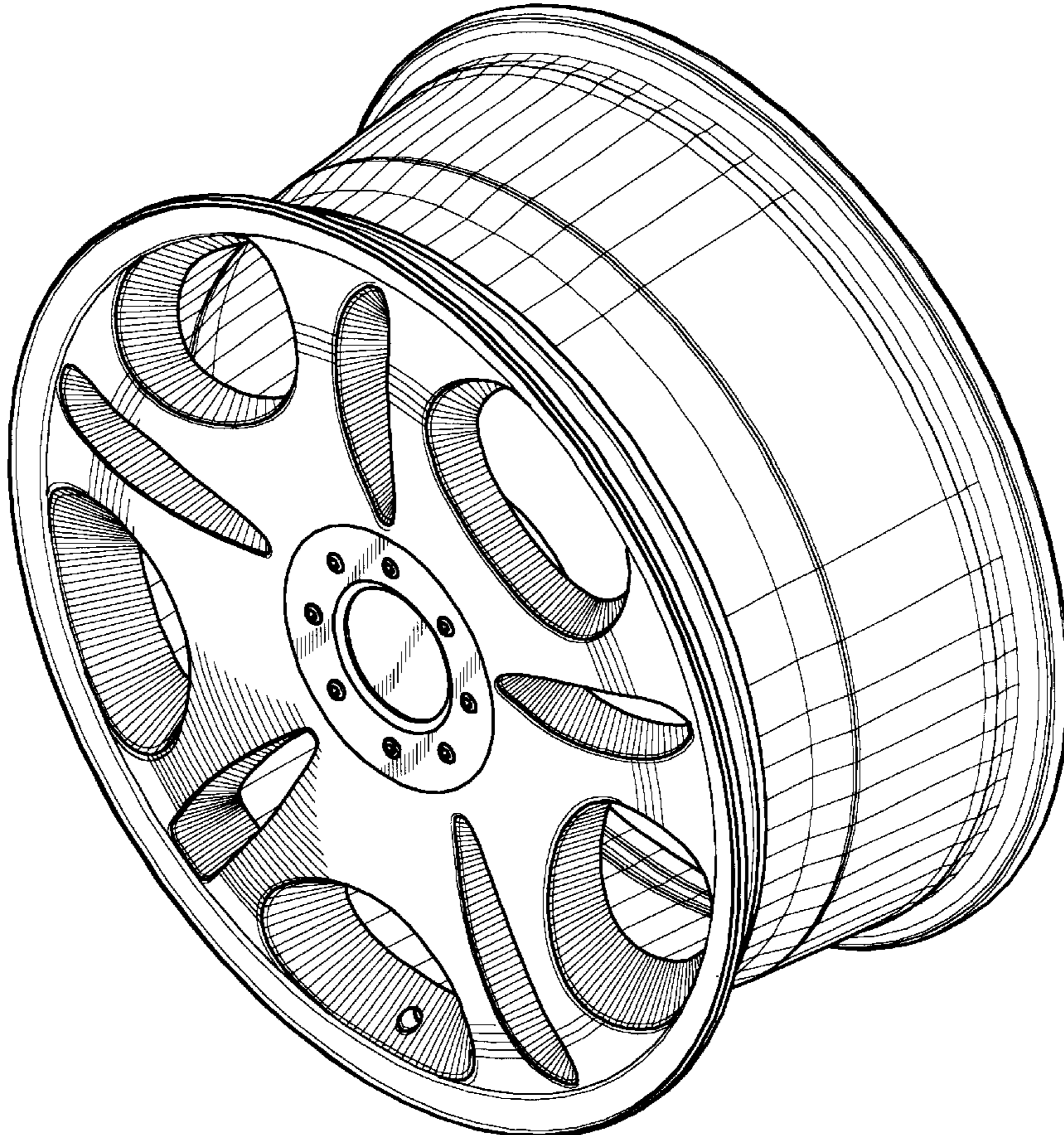


Fig. 1

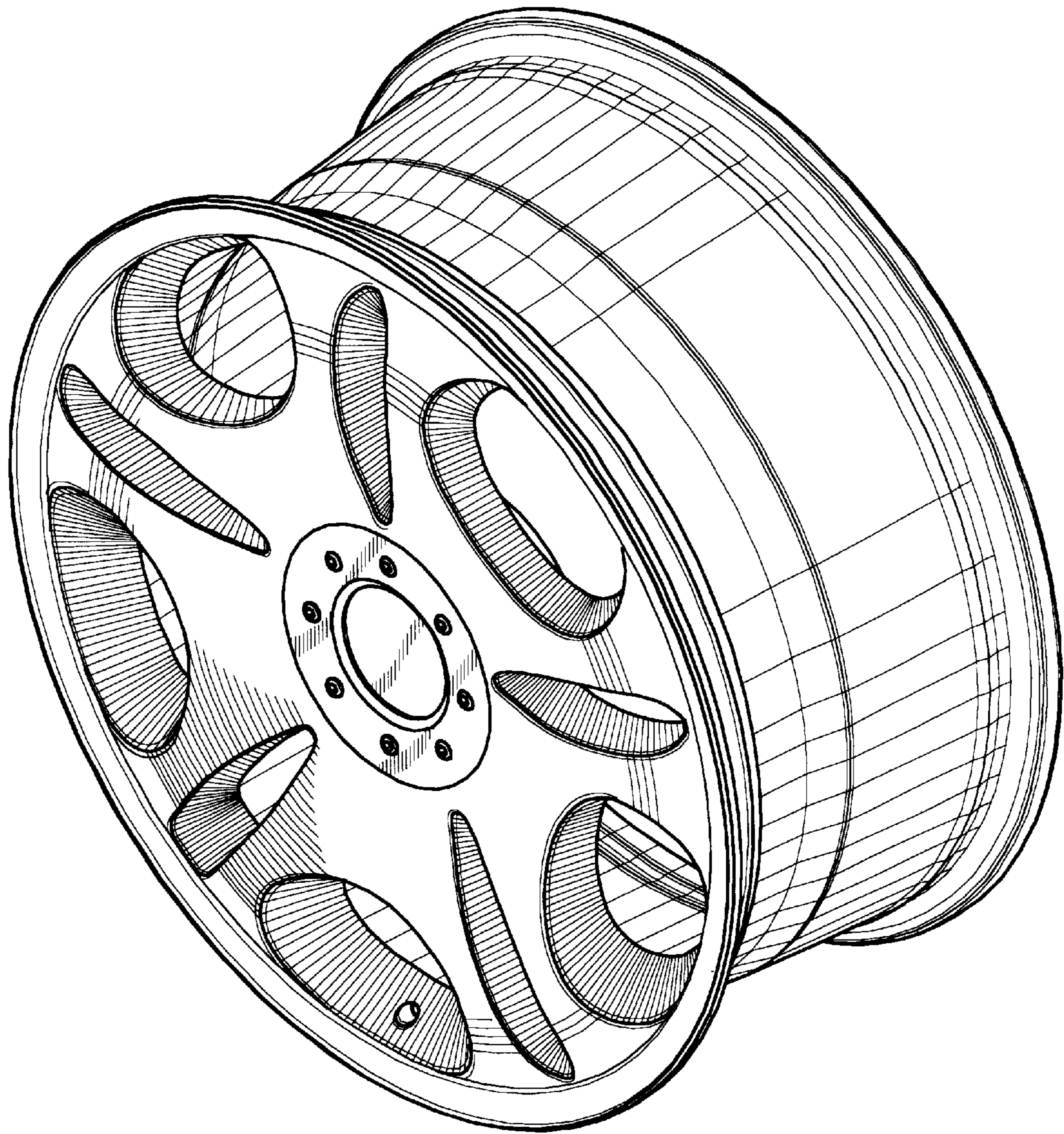


Fig. 2

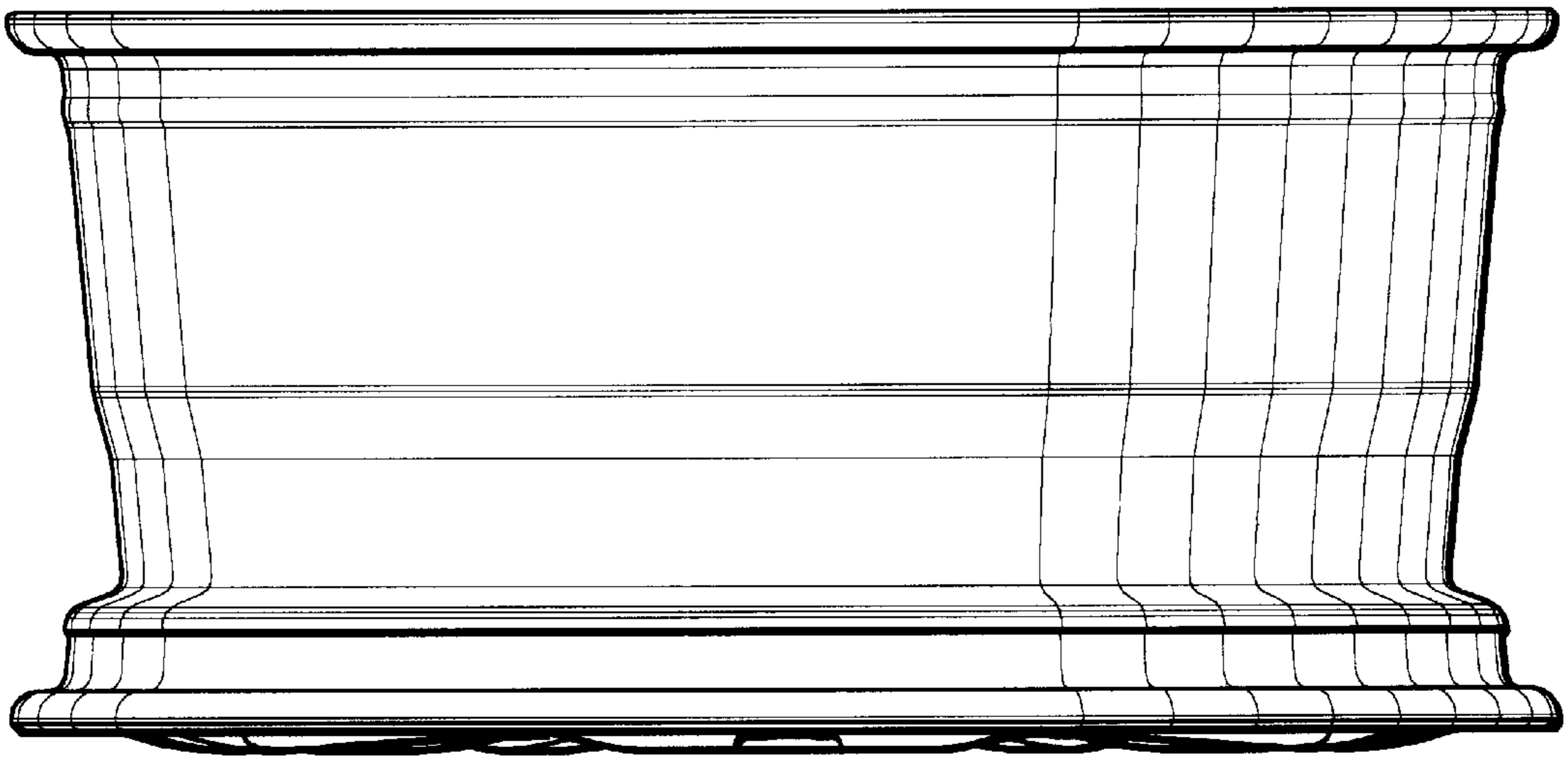


Fig. 3

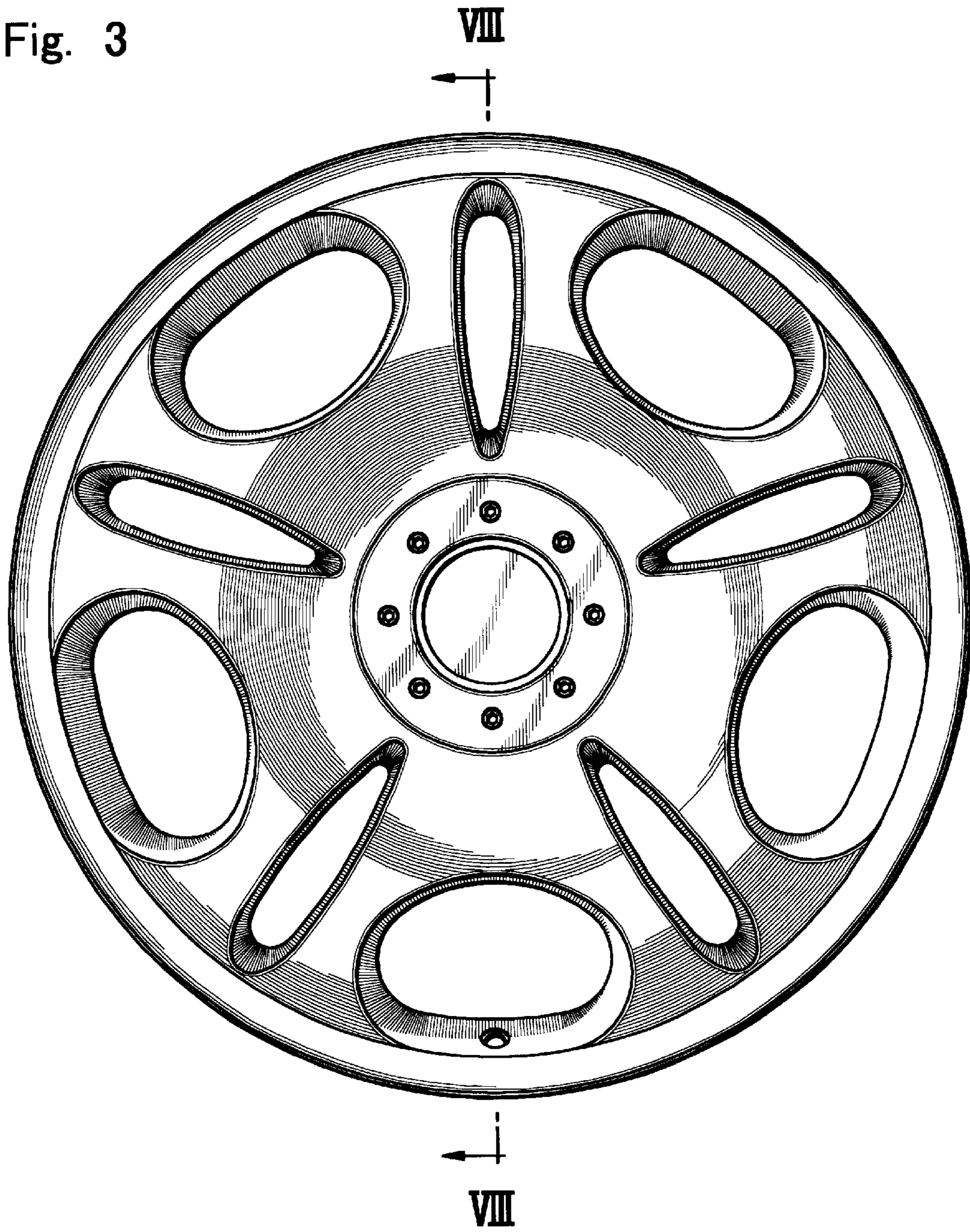


Fig. 4

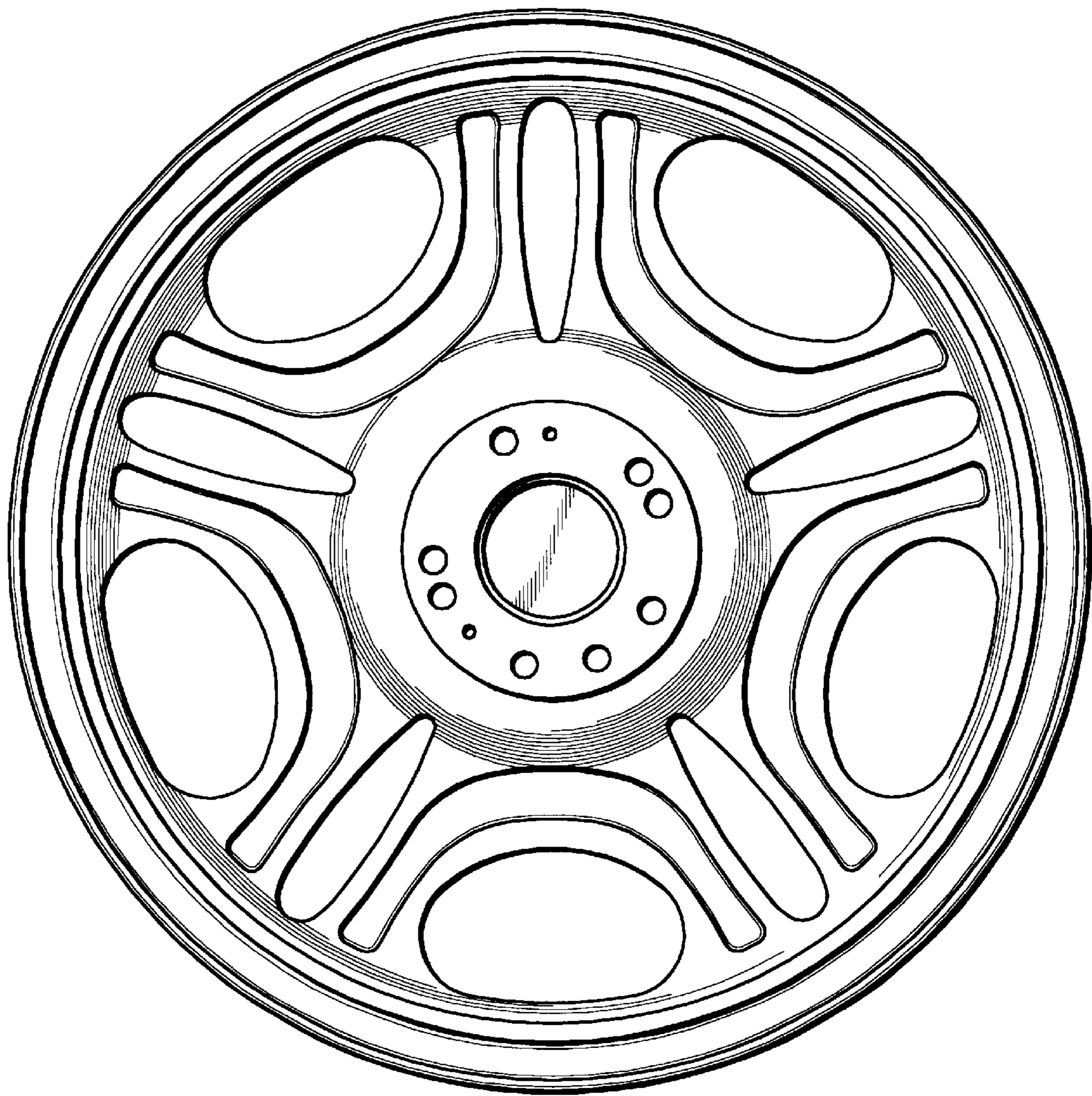


Fig. 5

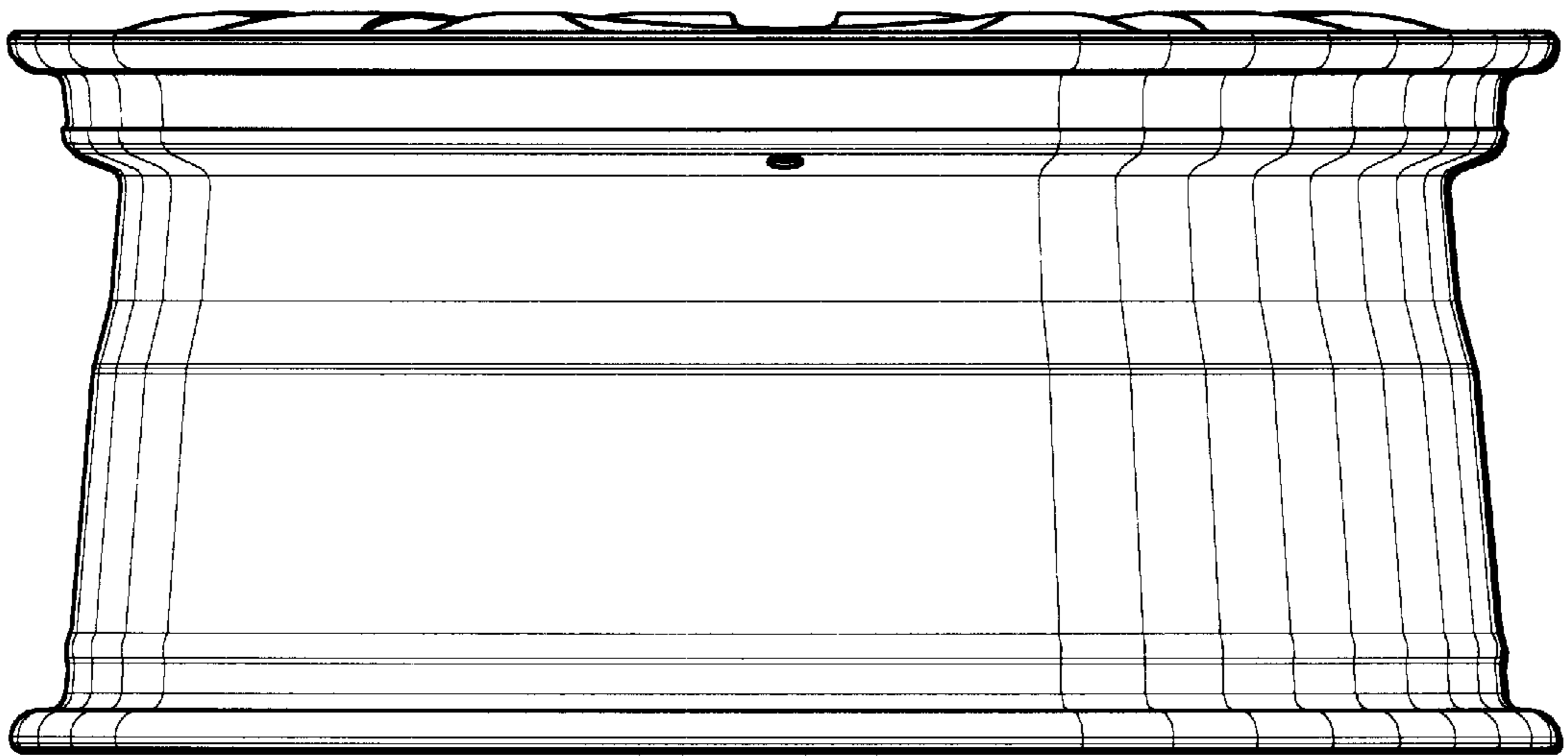


Fig. 6

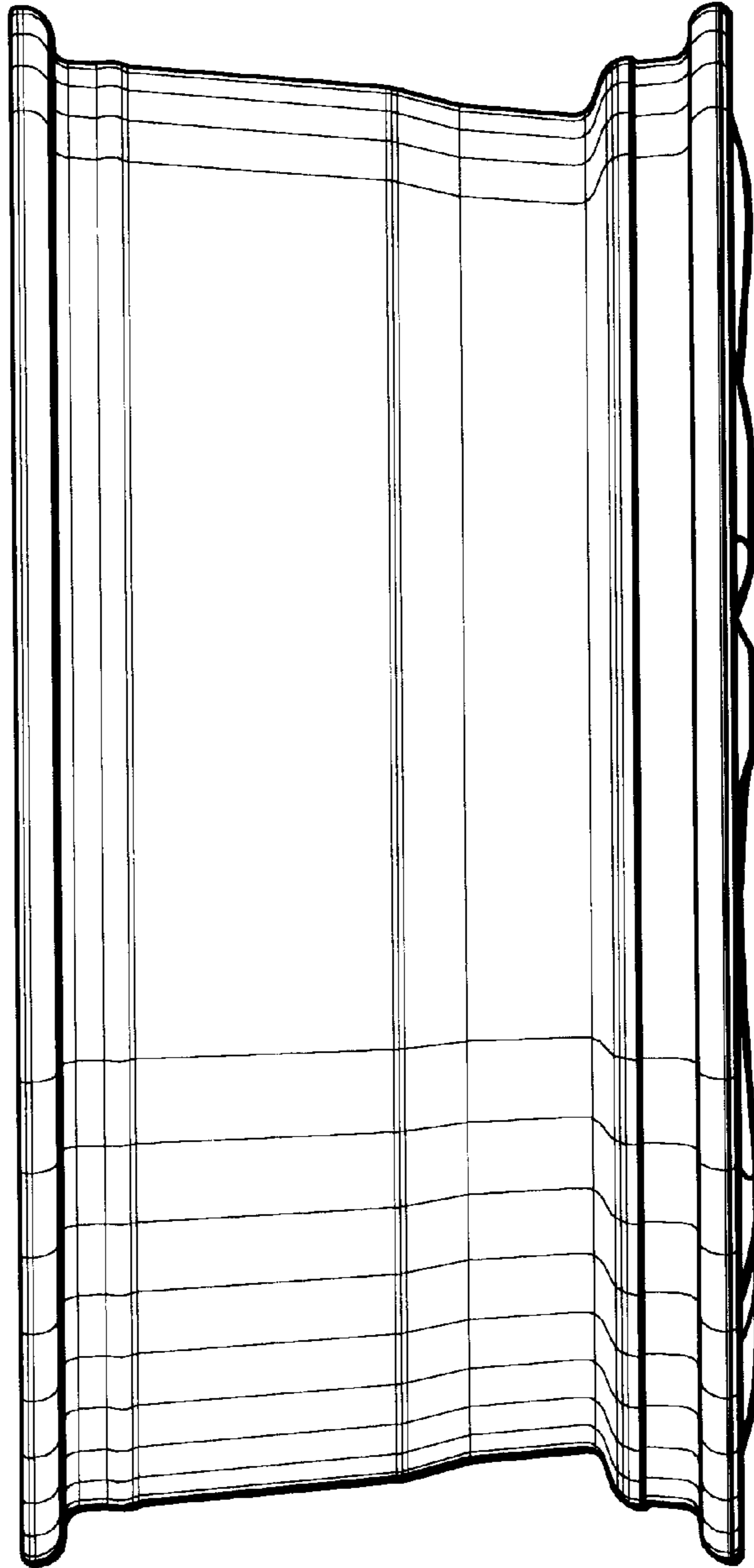


Fig. 7



Fig. 8

