



US00D452209B1

(12) **United States Design Patent**
Chung

(10) **Patent No.:** **US D452,209 S**

(45) **Date of Patent:** **** Dec. 18, 2001**

(54) **AUTOMOTIVE WHEEL**

(75) **Inventor:** **Suny Chung**, Placentia, CA (US)

(73) **Assignee:** **Synergies America Inc**, Farmington Hills, MI (US)

(**) **Term:** **14 Years**

(21) **Appl. No.:** **29/115,338**

(22) **Filed:** **Dec. 13, 1999**

(51) **LOC (7) Cl.** **12-16**

(52) **U.S. Cl.** **D12/209**

(58) **Field of Search** D12/204-211;
301/37.1, 64.1, 65

D. 438,157	*	2/2001	Donikoglu	D12/209
D. 438,165	*	2/2001	Echazabal	D12/211
D. 440,198	*	4/2001	Ivanova et al.	D12/209
D. 440,535	*	4/2001	Penzes	D12/211
D. 442,134	*	5/2001	Chung	D12/209
D. 442,135	*	5/2001	Chrysanto et al.	D12/209
D. 442,905	*	5/2001	Herrera	D12/209
D. 446,180	*	8/2001	Sulahian et al.	D12/211
D. 446,493	*	8/2001	Sulahian et al.	D12/211
D. 447,106	*	8/2001	Chung	D12/209
1,375,372	*	4/1921	Forsyth	D12/211 X

* cited by examiner

Primary Examiner—Stacia Cadmus

(74) *Attorney, Agent, or Firm*—G Donald Weber, Jr.

(57) **CLAIM**

The ornamental design for an automotive wheel, as shown and described.

DESCRIPTION

FIG. 1 is an oblique view of the automotive wheel of the instant invention; and,
FIG. 2 is a front view of the automotive wheel of the instant invention.

The broken line showing of environment is for illustrative purposes only and forms no part of the claimed design.

1 Claim, 1 Drawing Sheet

(56) **References Cited**

U.S. PATENT DOCUMENTS

D. 208,543	*	9/1967	Halibrand	D12/211
D. 360,866	*	8/1995	Echazabal et al.	D12/209
D. 388,046	*	12/1997	Roesianto	D12/209
D. 409,548	*	5/1999	Chung	D12/209
D. 418,799	*	1/2000	Chung	D12/211
D. 419,941	*	2/2000	Chung	D12/209
D. 433,658	*	11/2000	Donikoglu	D12/209
D. 433,987	*	11/2000	Couzyn et al.	D12/211
D. 435,005	*	12/2000	Chung	D12/209
D. 436,569	*	1/2001	Brown et al.	D12/209

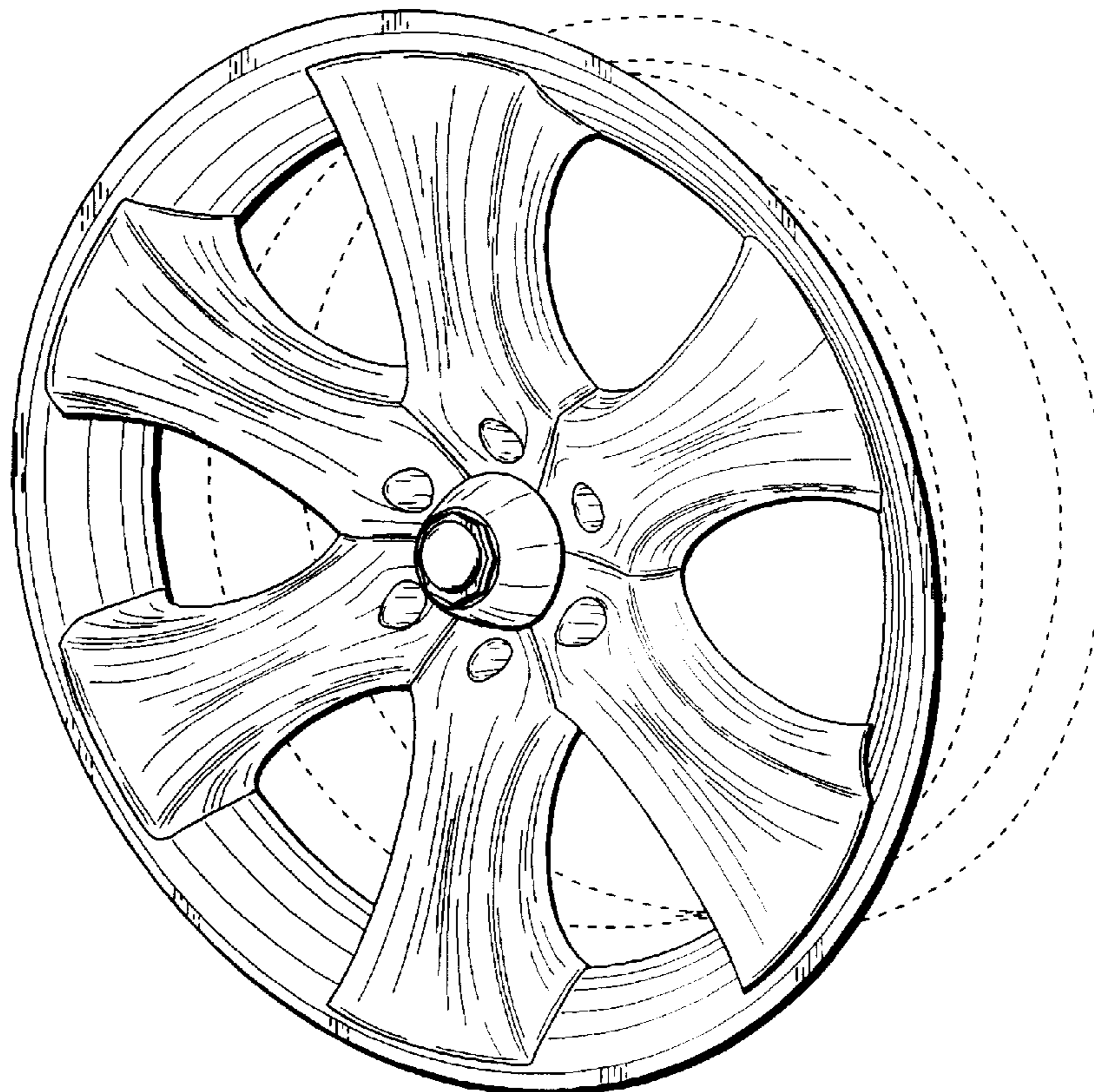


Fig. 1

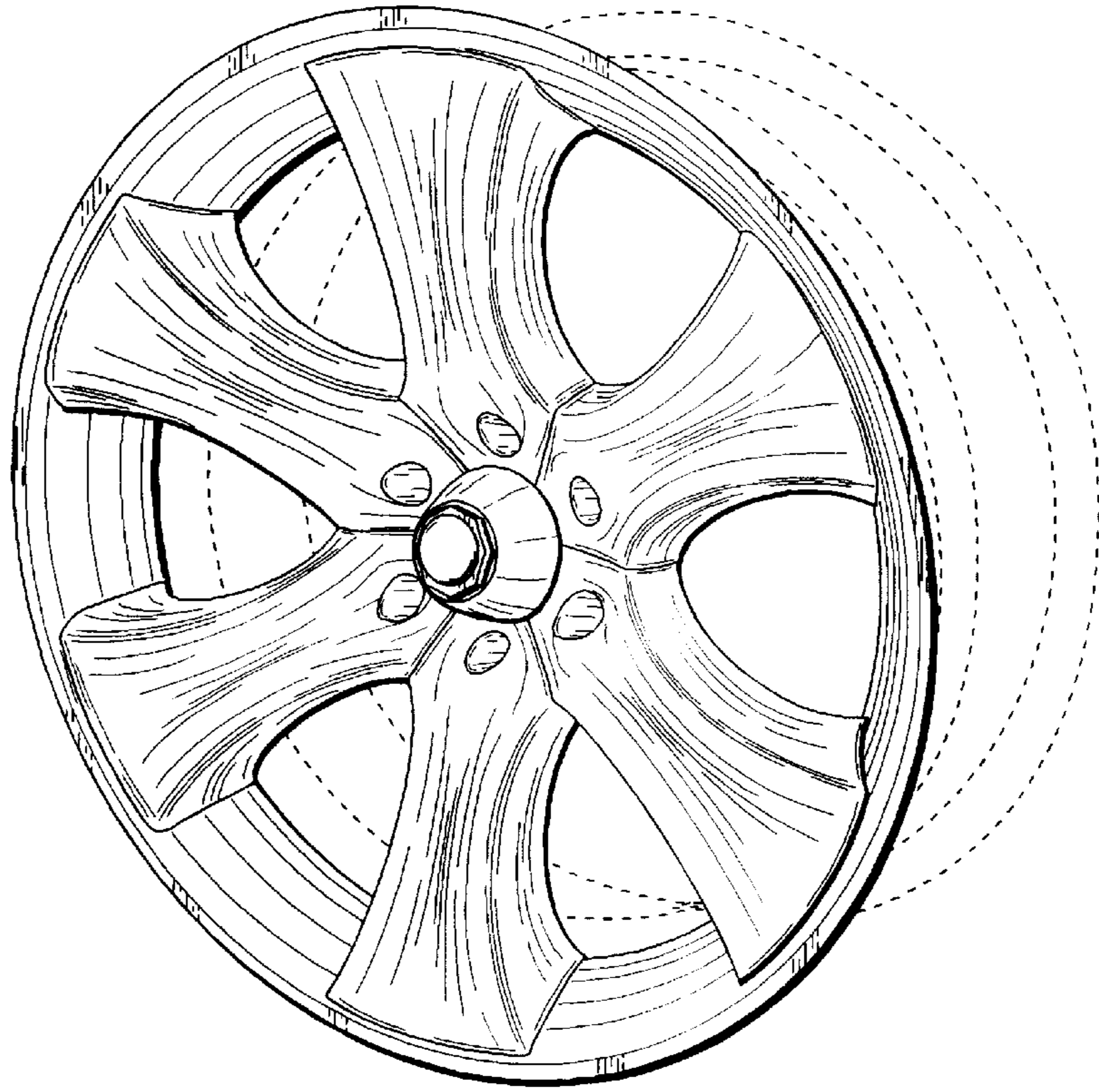


Fig. 2

