



US00D452203B1

(12) **United States Design Patent**
Kajikawa

(10) **Patent No.:** **US D452,203 S**

(45) **Date of Patent:** **** Dec. 18, 2001**

(54) **DECORATIVE SURFACE OF A TIRE
SIDEWALL**

D. 413,289 * 8/1999 Ratliff, Jr. D12/152
D. 413,558 * 9/1999 Yanez D12/152
5,728,242 * 3/1998 Barrese et al. 152/523
6,032,711 * 3/2000 Barrese et al. 152/523

(75) Inventor: **Hidechika Kajikawa, Tokyo (JP)**

* cited by examiner

(73) Assignee: **Bridgestone Corporation, Tokyo (JP)**

Primary Examiner—Robert M. Spear

(**) Term: **14 Years**

(74) *Attorney, Agent, or Firm*—Sughrue, Mion, Zinn,
Macpeak & Seas, PLLC

(21) Appl. No.: **29/134,369**

(57) **CLAIM**

(22) Filed: **Dec. 21, 2000**

The ornamental design for decorative surface of a tire sidewall, as shown and described.

(30) **Foreign Application Priority Data**

Jun. 27, 2000 (JP) 12-017372

DESCRIPTION

(51) **LOC (7) Cl.** **12-15**

FIG. 1 is a perspective view of decorative surface of a tire sidewall;

(52) **U.S. Cl.** **D12/152**

FIG. 2 is a front elevational view thereof;

(58) **Field of Search** D12/134-152;
152/209.1, 209.9, 209.16, 209.25, 209.27,
523, 524, 902, 903

FIG. 3 is an enlarged front elevational view thereof; and,
FIG. 4 is an enlarged fragmentary front elevational view thereof.

(56) **References Cited**

The broken line showing of a tire is for illustrative purposes only and forms no part of the claimed design.

U.S. PATENT DOCUMENTS

D. 385,834 * 11/1997 Ratliff, Jr. D12/152

1 Claim, 4 Drawing Sheets

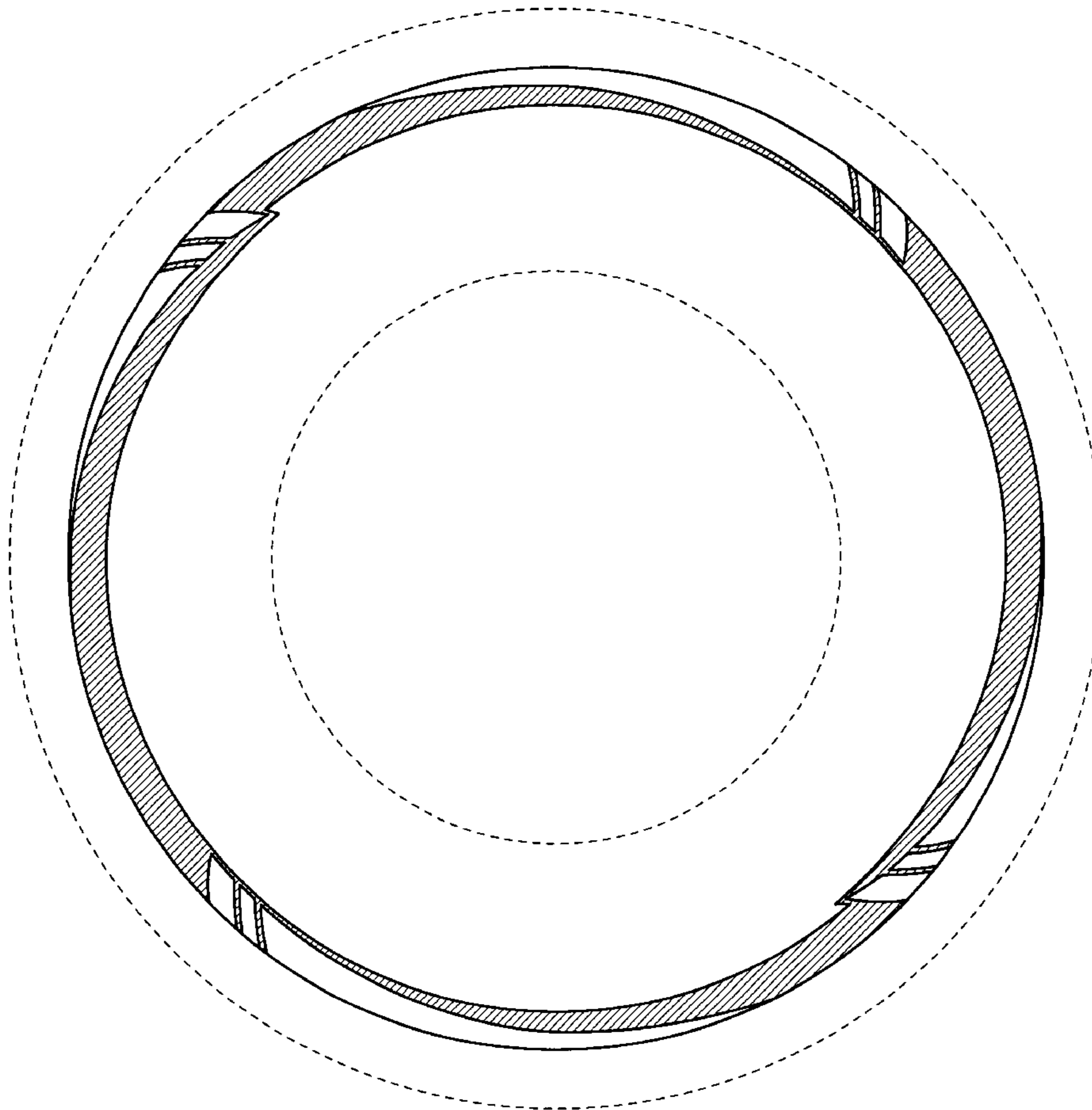


FIG. 1

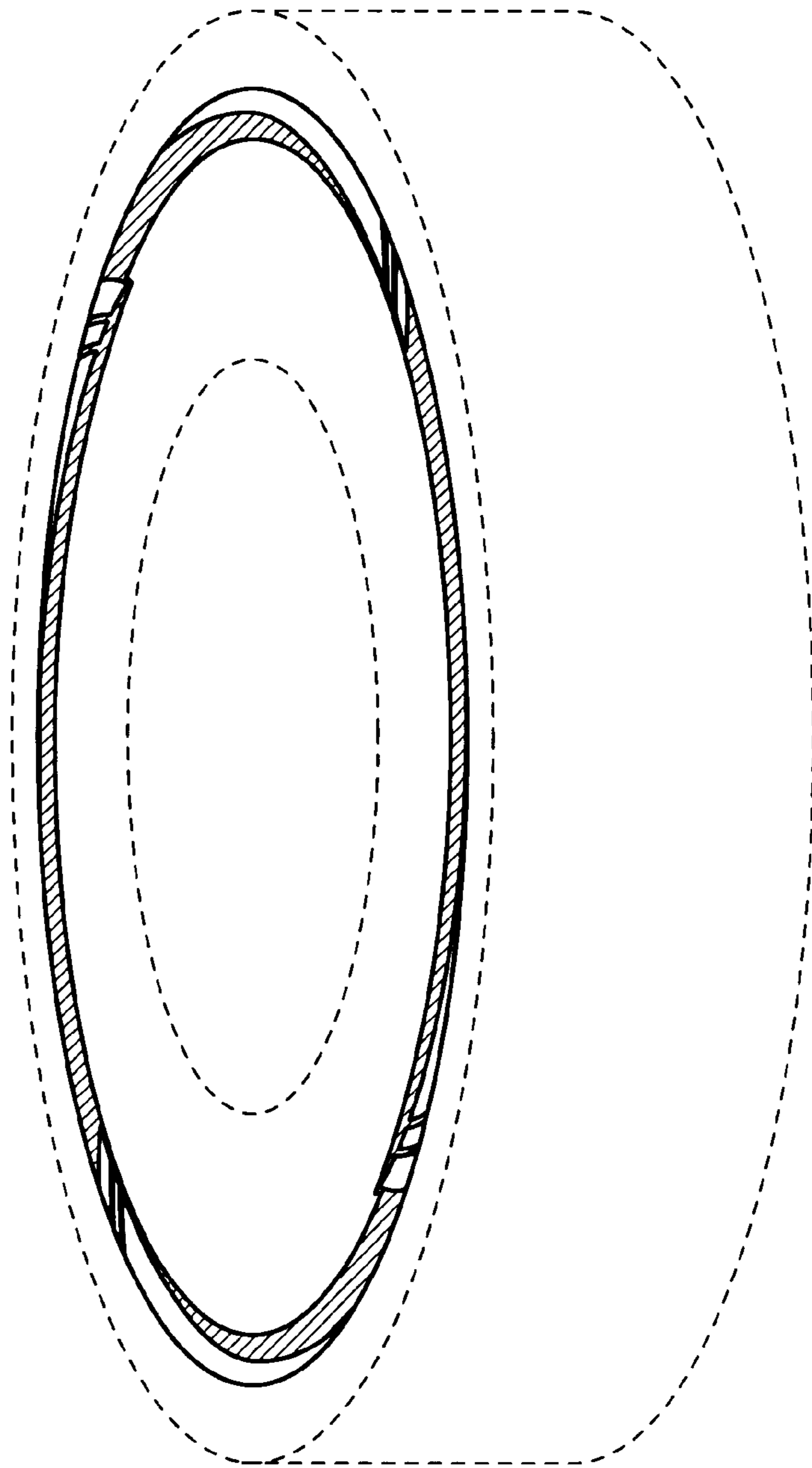


FIG. 2

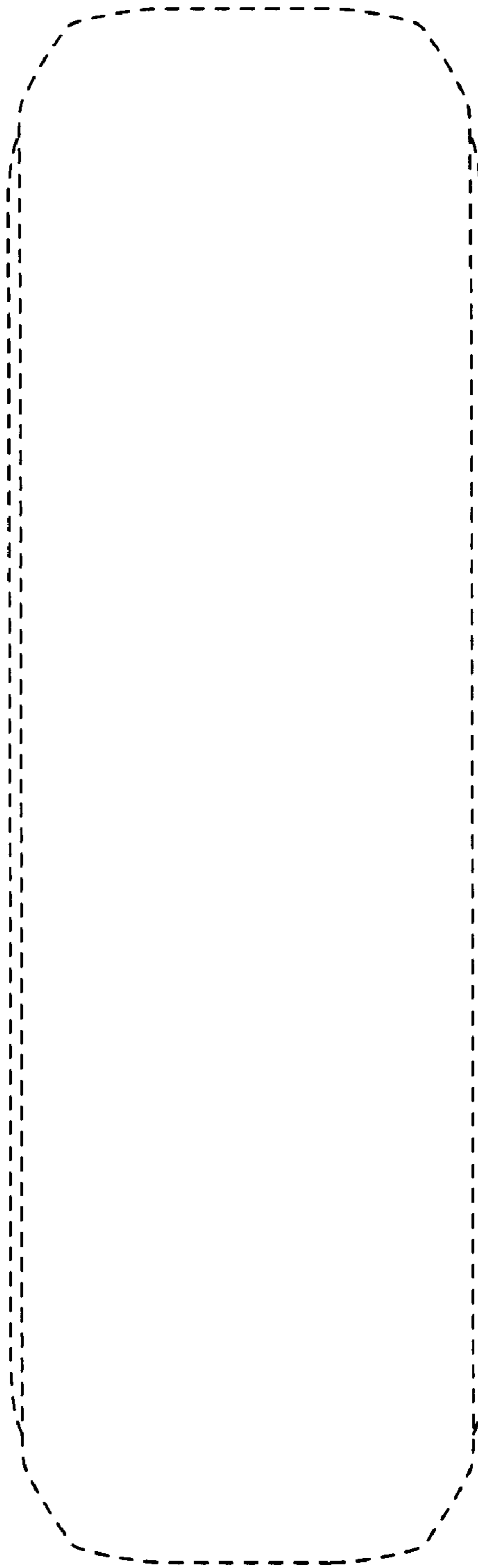


FIG. 3

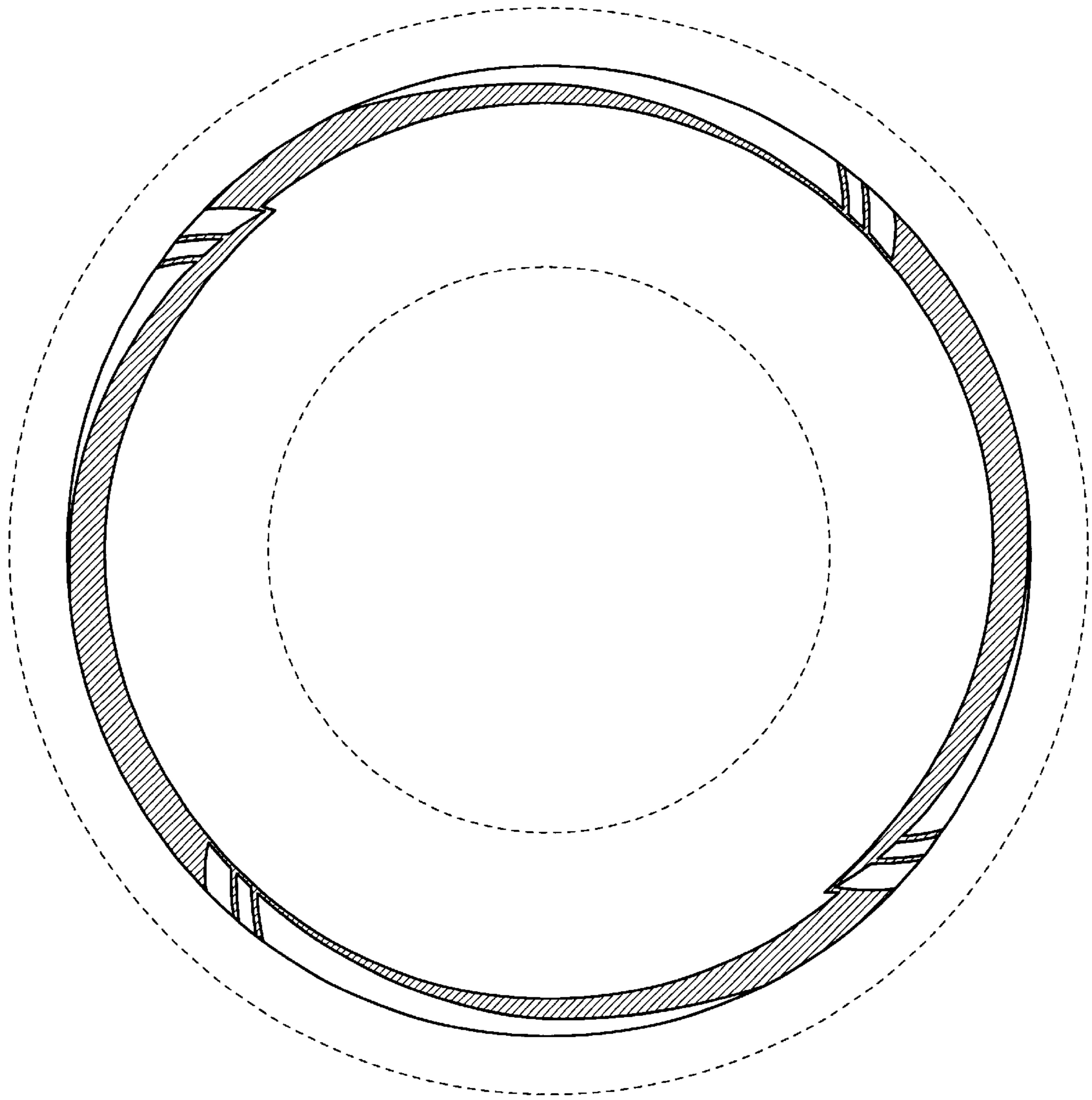


FIG. 4

