



US00D452197B1

(12) **United States Design Patent**  
**Martin et al.**

(10) **Patent No.:** **US D452,197 S**

(45) **Date of Patent:** **\*\* Dec. 18, 2001**

(54) **FORWARD FACING PORTION OF BABY STROLLER SEAT WITH SEAT BELT**

(75) Inventors: **Barbara C. Martin; Shelly K. McWain**, both of Yakima, WA (US)

(73) Assignee: **Racing Strollers, Inc.**, Yakima, WA (US)

(\*\*) Term: **14 Years**

(21) Appl. No.: **29/130,043**

(22) Filed: **Sep. 26, 2000**

(51) **LOC (7) Cl.** ..... **12-12**

(52) **U.S. Cl.** ..... **D12/133; D12/129**

(58) **Field of Search** ..... **D12/128-133; 280/39, 42, 642-650, 801, 801.1; 297/484, 250.1; D6/333**

(56) **References Cited**

**U.S. PATENT DOCUMENTS**

D. 419,113	*	1/2000	Everett	.....	D12/129
D. 434,704	*	12/2000	Huang	.....	D12/129
4,293,144		10/1981	Ida	.....	280/644
4,946,180		8/1990	Baer	.....	280/39
5,074,588		12/1991	Huspen	.....	280/801
5,306,044		4/1994	Tucker	.....	280/801.1
5,624,135		4/1997	Symonds	.....	280/801.1

5,743,552	4/1998	Baechler et al.	.....	280/642
5,873,635	2/1999	Merrick	.....	297/484
5,908,223	6/1999	Miller	.....	297/484
5,964,502	10/1999	Stephens	.....	297/250.1
5,971,492	10/1999	Pitman	.....	297/484
5,996,192	12/1999	Haines et al.	.....	24/625

**OTHER PUBLICATIONS**

Kool Stride Jogging Stroller for Children Owners Manual and Assembly Instructions, Model No. KS-S/KS-SA, pp. 1-6, Kool-Stop International, Inc., 1996.

\* cited by examiner

*Primary Examiner*—Kay H. Chin

(74) *Attorney, Agent, or Firm*—Seed IP Law Group PLLC

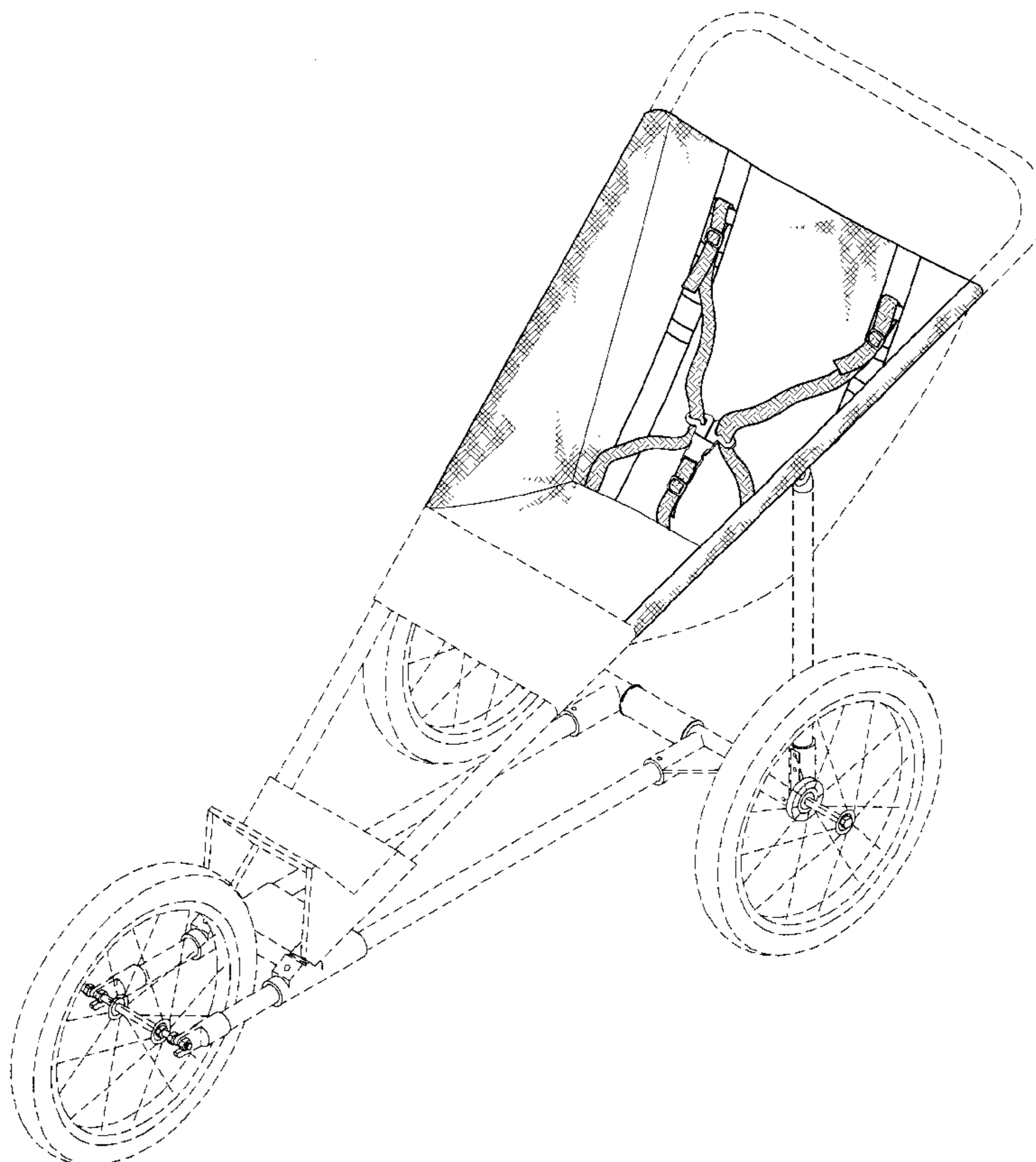
(57) **CLAIM**

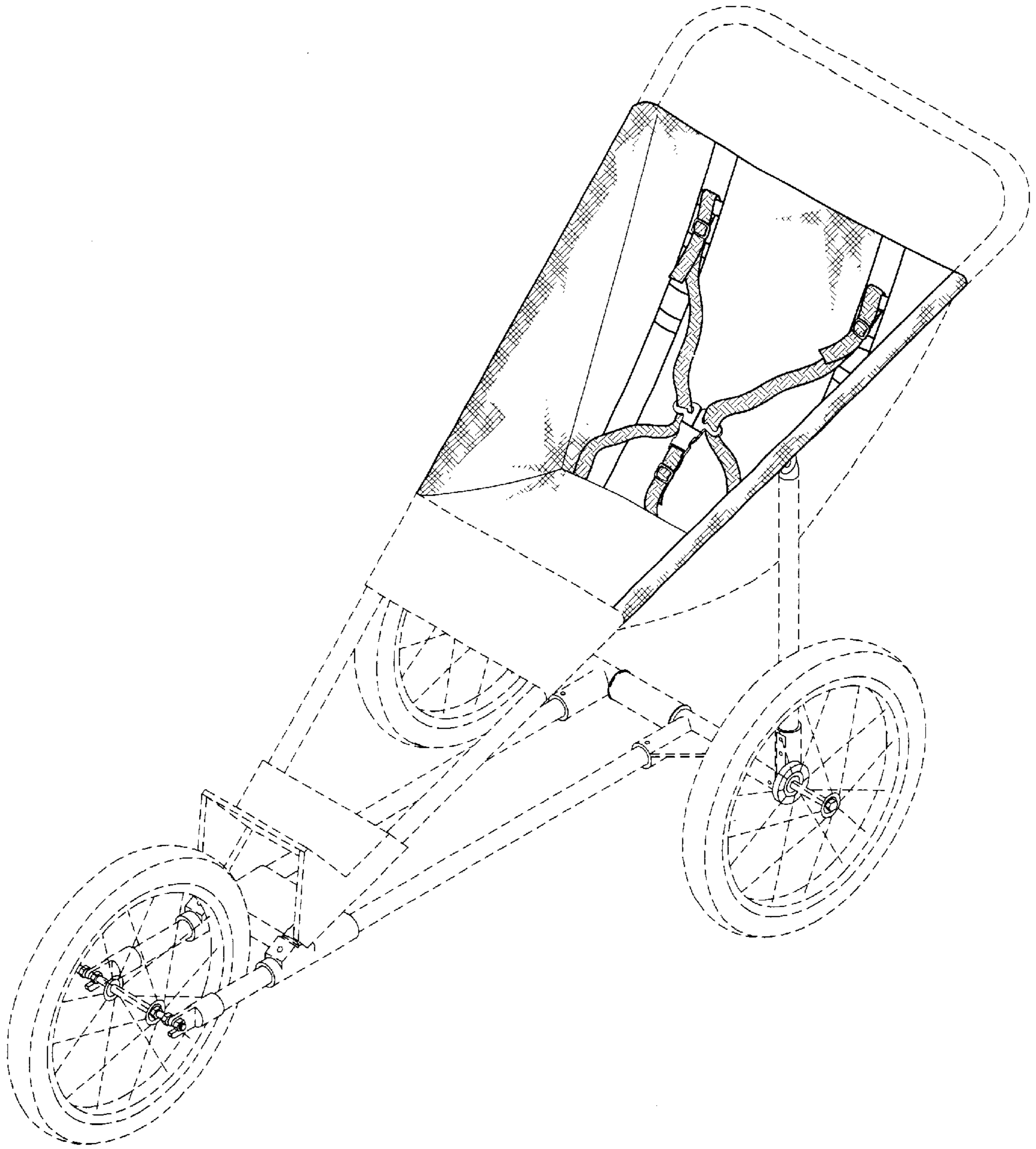
The ornamental design for a forward facing portion of baby stroller seat with seat belt, as shown and described.

**DESCRIPTION**

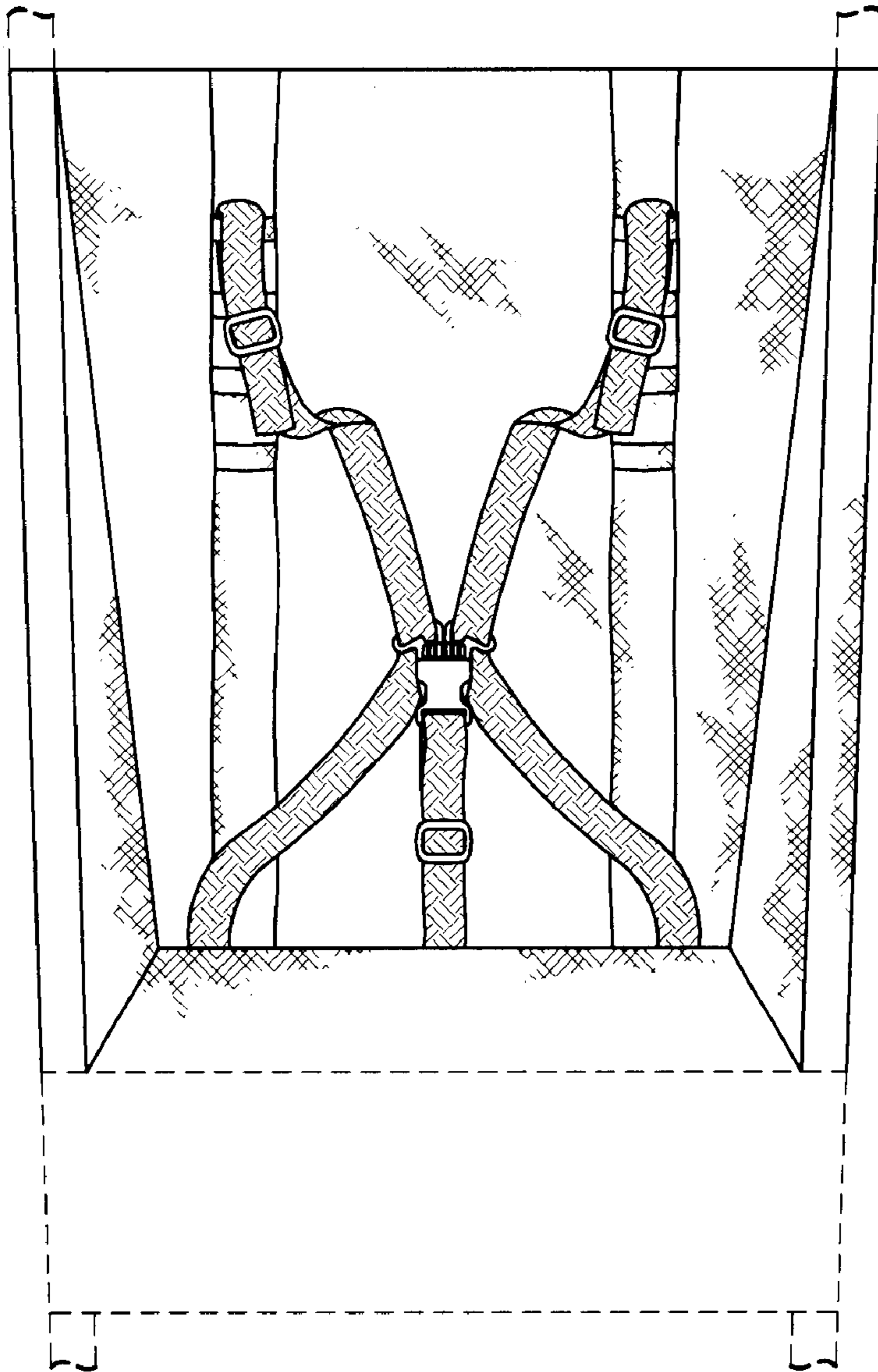
FIG. 1 is a front perspective view of a forward facing portion of baby stroller seat with seat belt showing our new design; and, FIG. 2 is a front plan view thereof. The broken lines are for illustrative purposes only and form no part of the ornamental design.

**1 Claim, 2 Drawing Sheets**





*Fig. 1*



*Fig. 2*