



US00D452196B1

(12) **United States Design Patent**  
**Pittman et al.**

(10) **Patent No.:** **US D452,196 S**

(45) **Date of Patent:** **\*\* Dec. 18, 2001**

(54) **BABY BOTTLE HOLDER**

5,603,479 2/1997 Kristy .  
5,823,486 10/1998 Smith et al. .

(76) Inventors: **Crystal L Pittman; Ernest L Pittman,**  
both of 904 Myra Ave., Yeadon, PA  
(US) 19050

\* cited by examiner

*Primary Examiner*—Marcus A. Jackson

(\*\*) Term: **14 Years**

(57) **CLAIM**

(21) Appl. No.: **29/121,486**

The ornamental design for a baby bottle holder, as shown and described.

(22) Filed: **Apr. 7, 2000**

**DESCRIPTION**

(51) **LOC (7) Cl.** ..... **12-12**

(52) **U.S. Cl.** ..... **D12/133**

(58) **Field of Search** ..... D12/128-133;  
D3/202, 303, 315-316; D9/337, 341-347,  
414, 415, 420, 421, 430-432; D7/510,  
620; 224/409, 411, 414

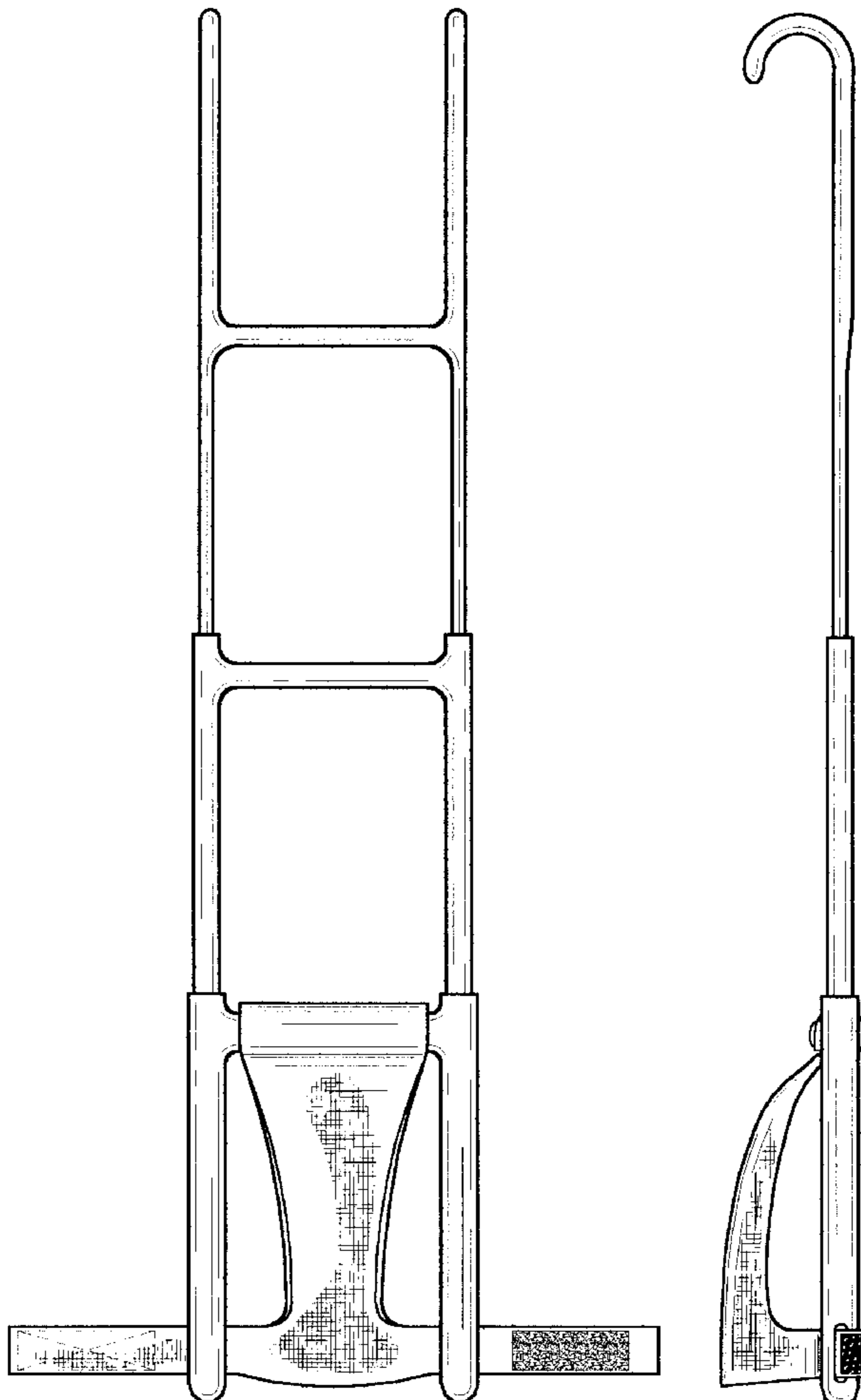
FIG. 1 is a front elevational view of the baby bottle holder of the present invention;  
FIG. 2 is a rear elevational view of the baby bottle holder of FIG. 1;  
FIG. 3 is a left side elevational view of the baby bottle holder of FIG. 1;  
FIG. 4 is a right side elevational view of the baby bottle holder of FIG. 1;  
FIG. 5 is a top plan view of the baby bottle holder of FIG. 1; and,  
FIG. 6 is a bottom plan view of the baby bottle holder of FIG. 1.

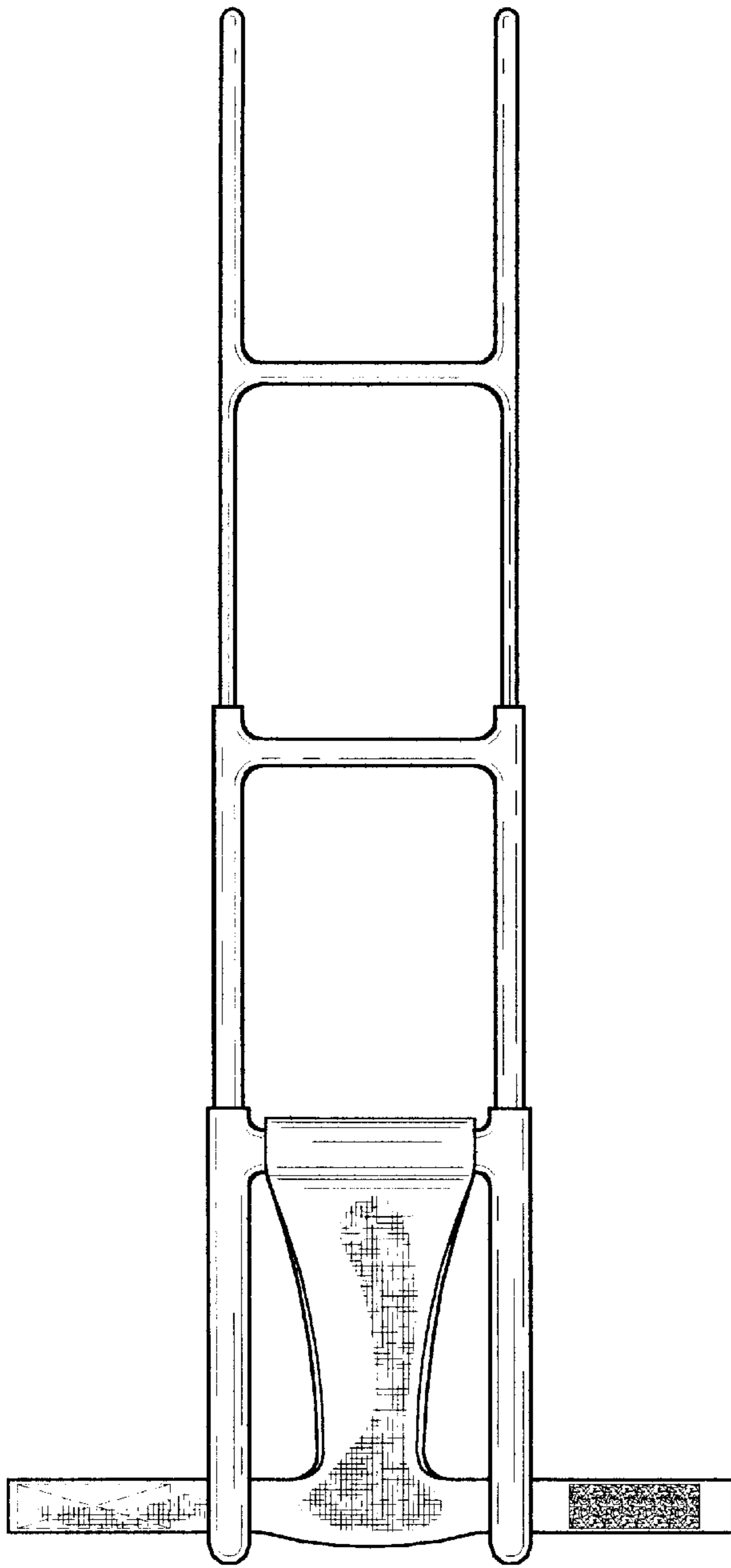
(56) **References Cited**

**U.S. PATENT DOCUMENTS**

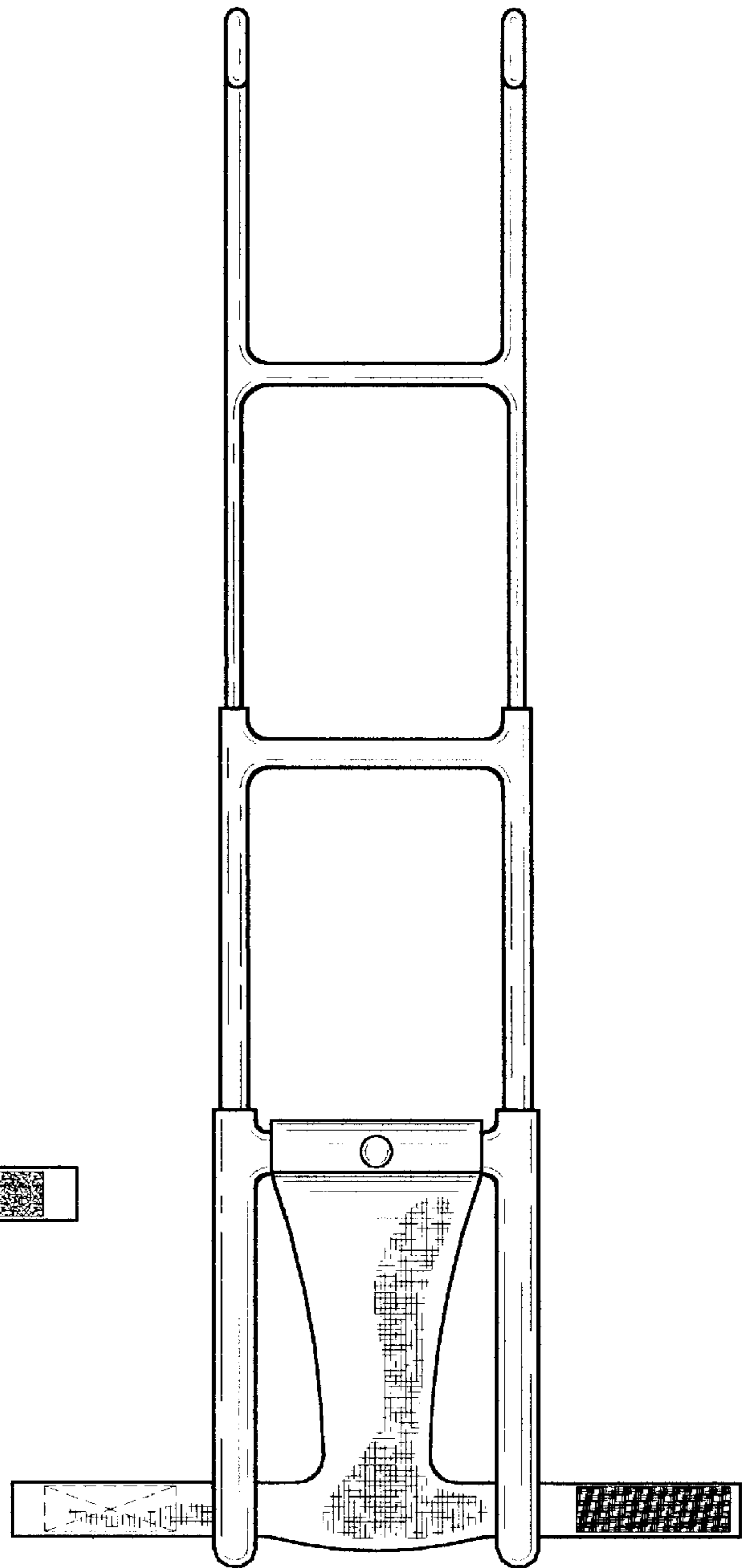
- D. 369,413 4/1996 Lodewyck, Jr. et al. .
- D. 428,585 \* 7/2000 Birkenthal et al. .... D12/133
- 2,590,383 3/1952 Dean .
- 3,180,600 4/1965 Kopec .
- 4,220,302 9/1980 Hampton et al. .

**1 Claim, 2 Drawing Sheets**

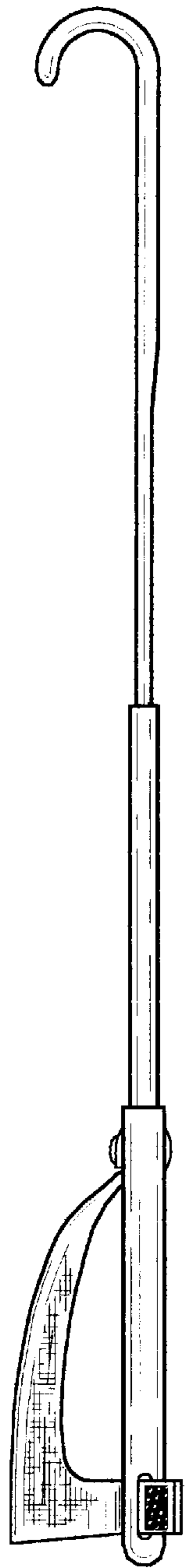




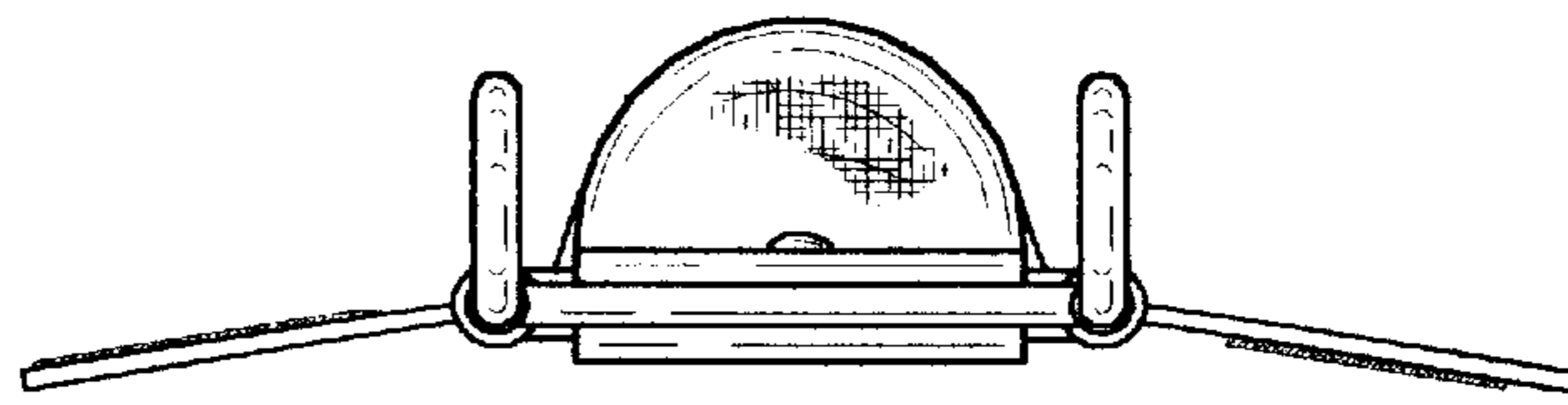
*Fig. 1*



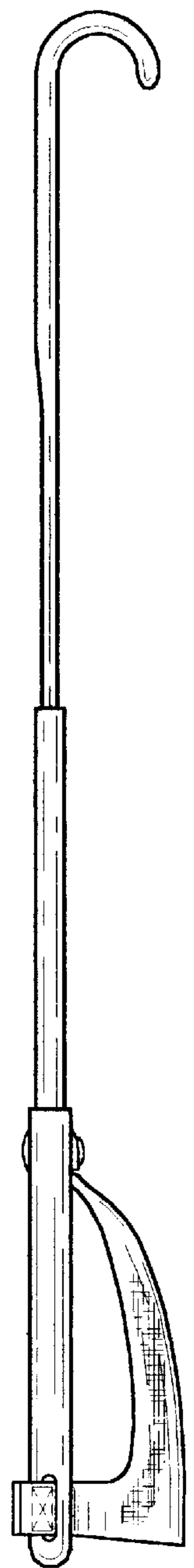
*Fig. 2*



*Fig. 3*



*Fig. 5*



*Fig. 4*



*Fig. 6*