



US00D452195B1

(12) **United States Design Patent**  
**Baechler**

(10) **Patent No.:** **US D452,195 S**

(45) **Date of Patent:** **\*\* Dec. 18, 2001**

(54) **BABY STROLLER FRAME**

(75) Inventor: **Mary M. Baechler, Yakima, WA (US)**

(73) Assignee: **Racing Strollers, Inc., Yakima, WA (US)**

(\*\*) Term: **14 Years**

(21) Appl. No.: **29/132,502**

(22) Filed: **Nov. 9, 2000**

(51) **LOC (7) Cl.** ..... **12-12**

(52) **U.S. Cl.** ..... **D12/129**

(58) **Field of Search** ..... **D12/128-133;**  
**D34/18; 280/36, 38, 42, 47, 62, 641, 642,**  
**643, 650, 658**

(56) **References Cited**

**U.S. PATENT DOCUMENTS**

- D. 418,780 \* 1/2000 Everett et al. .... D12/129
- D. 442,895 \* 5/2001 Chiu ..... D12/133

\* cited by examiner

*Primary Examiner*—**Marcus A. Jackson**

(74) *Attorney, Agent, or Firm*—**Seed IP Law Group PLLC**

(57) **CLAIM**

The ornamental design for a baby stroller frame, as shown and described.

**DESCRIPTION**

FIG. 1 is a first front perspective view of a baby stroller frame showing my new design;

FIG. 2 is a top plan view thereof.

FIG. 3 is a left side elevational view thereof, the right side elevational view being a mirror image thereto.

FIG. 4 is a front elevational view thereof.

FIG. 5 is a rear elevational view thereof.

FIG. 6 is a front perspective view of a second embodiment thereof.

FIG. 7 is a top plan view thereof.

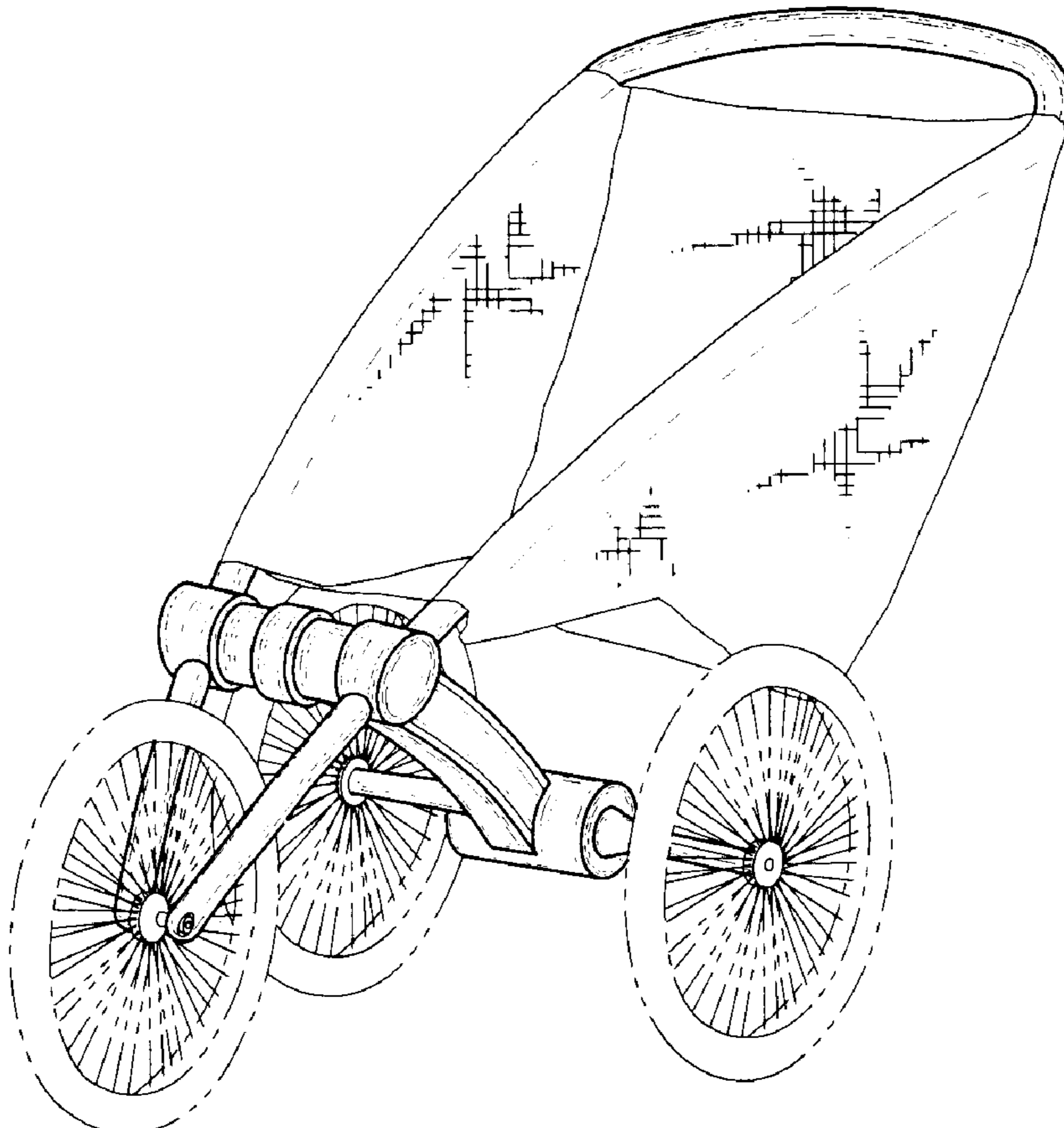
FIG. 8 is a left side elevational view thereof, the right side elevational view being a mirror image thereto.

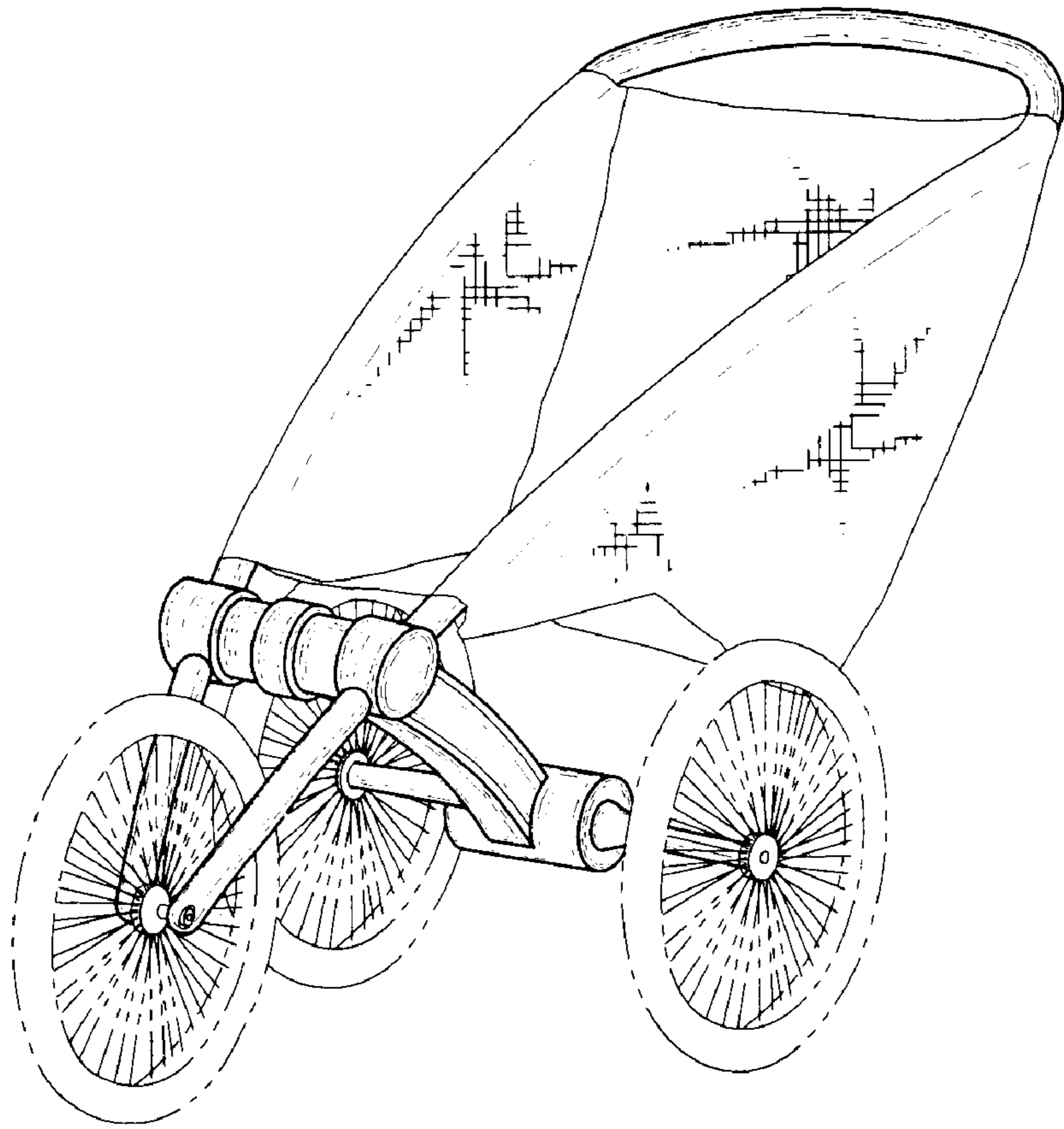
FIG. 9 is a front elevational view thereof; and,

FIG. 10 is a rear elevational view thereof.

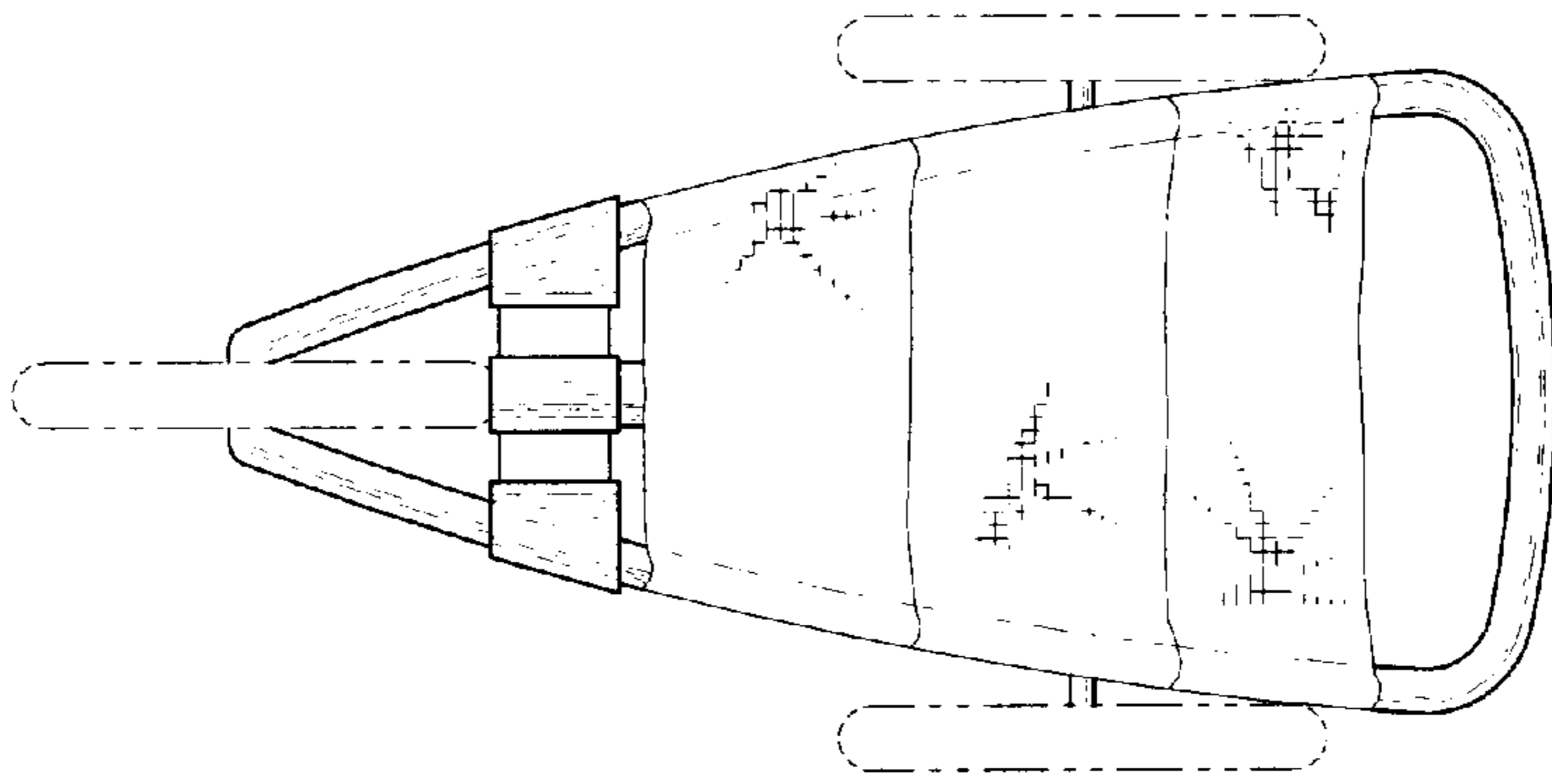
The broken lines are for illustrative purposes only and form no part of the claimed design.

**1 Claim, 6 Drawing Sheets**

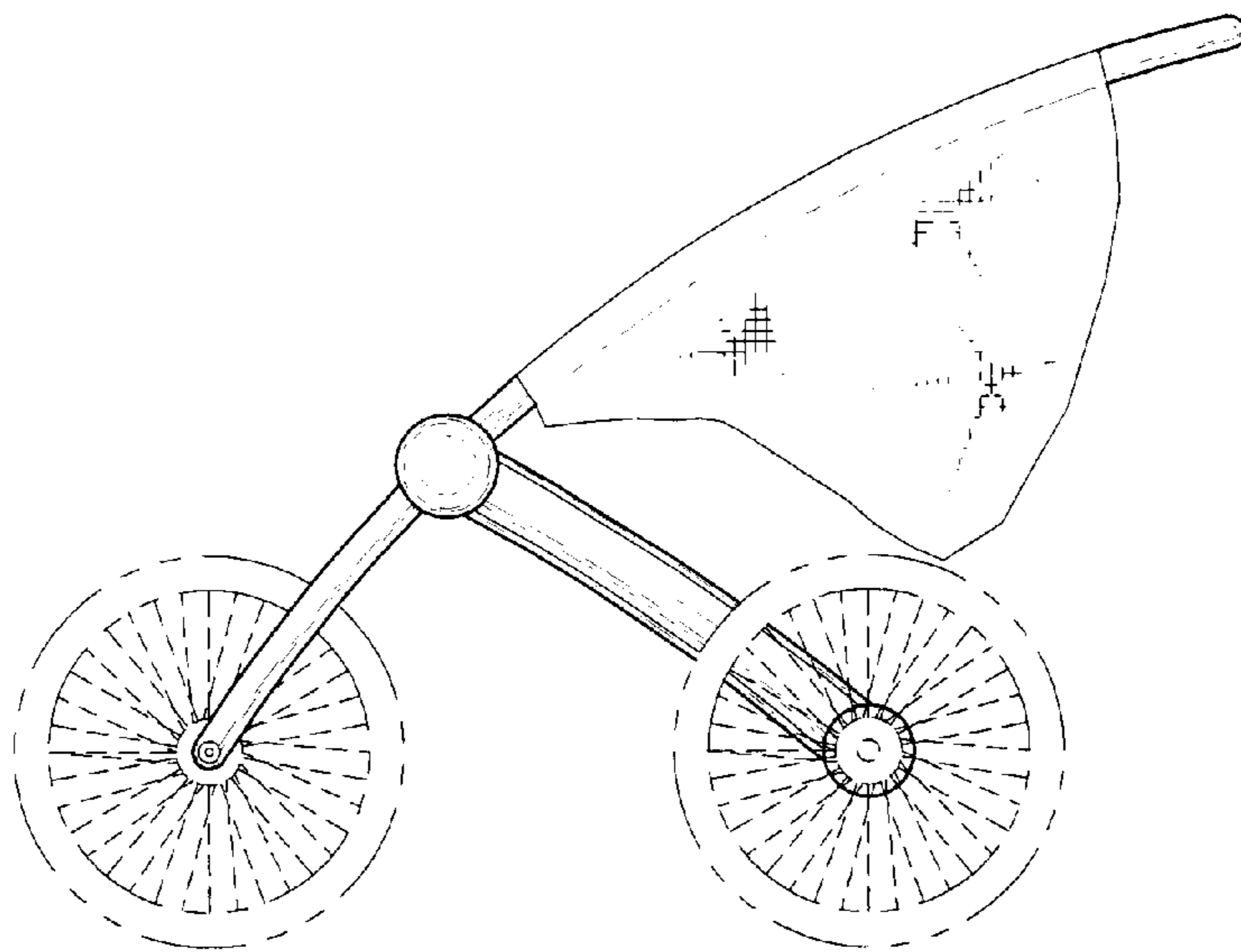




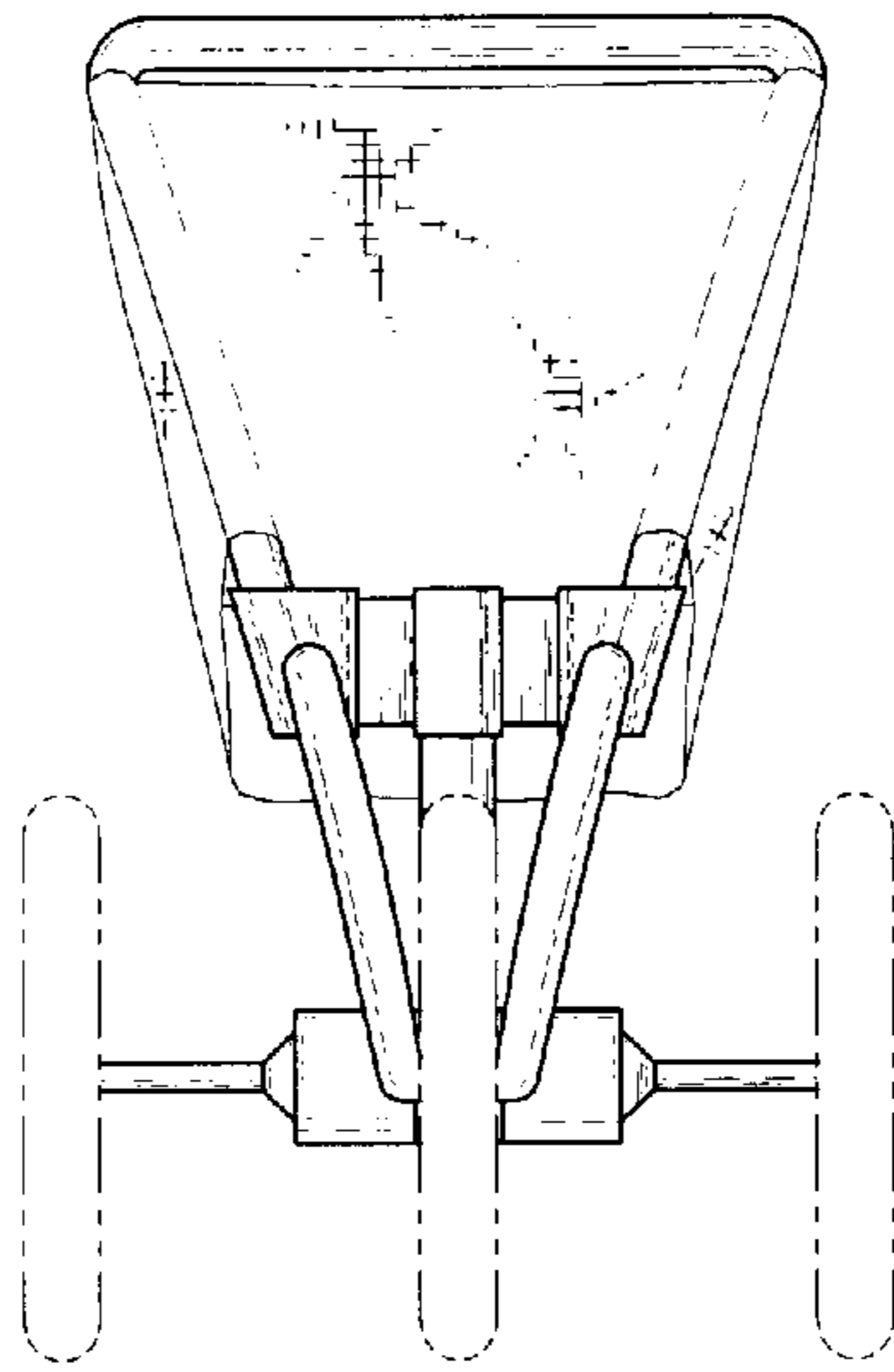
*Fig. 1*



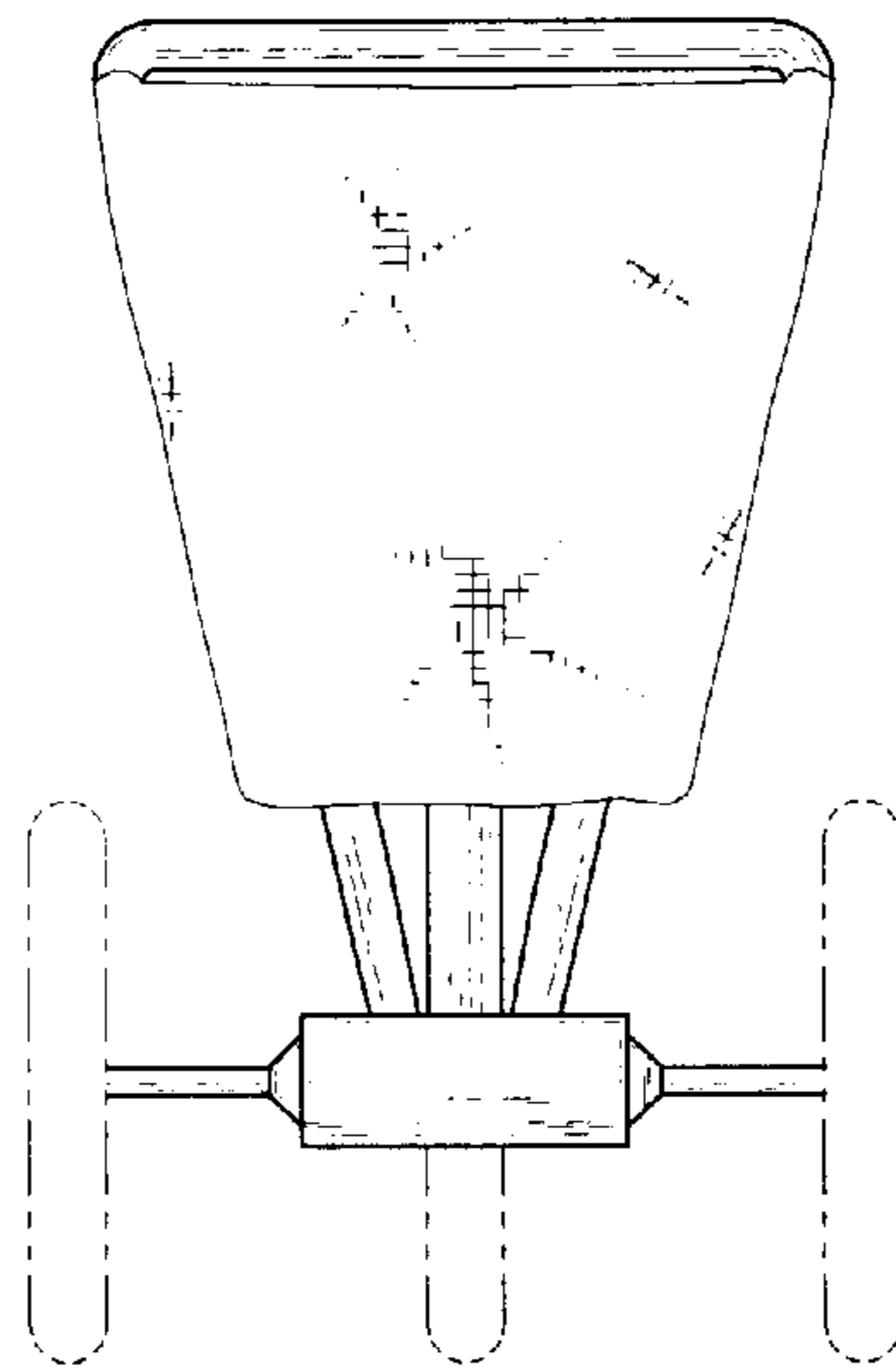
*Fig. 2*



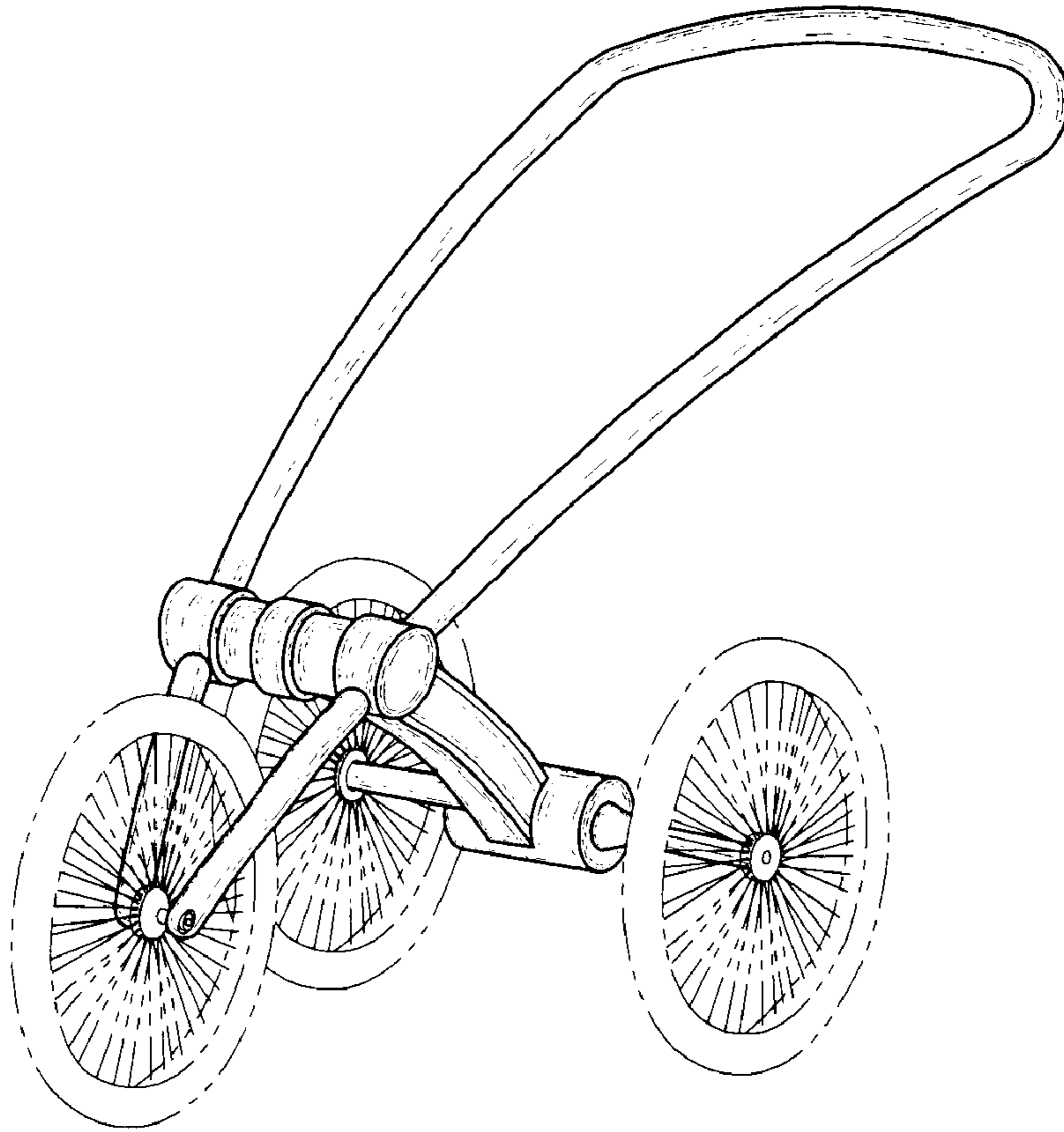
*Fig. 3*



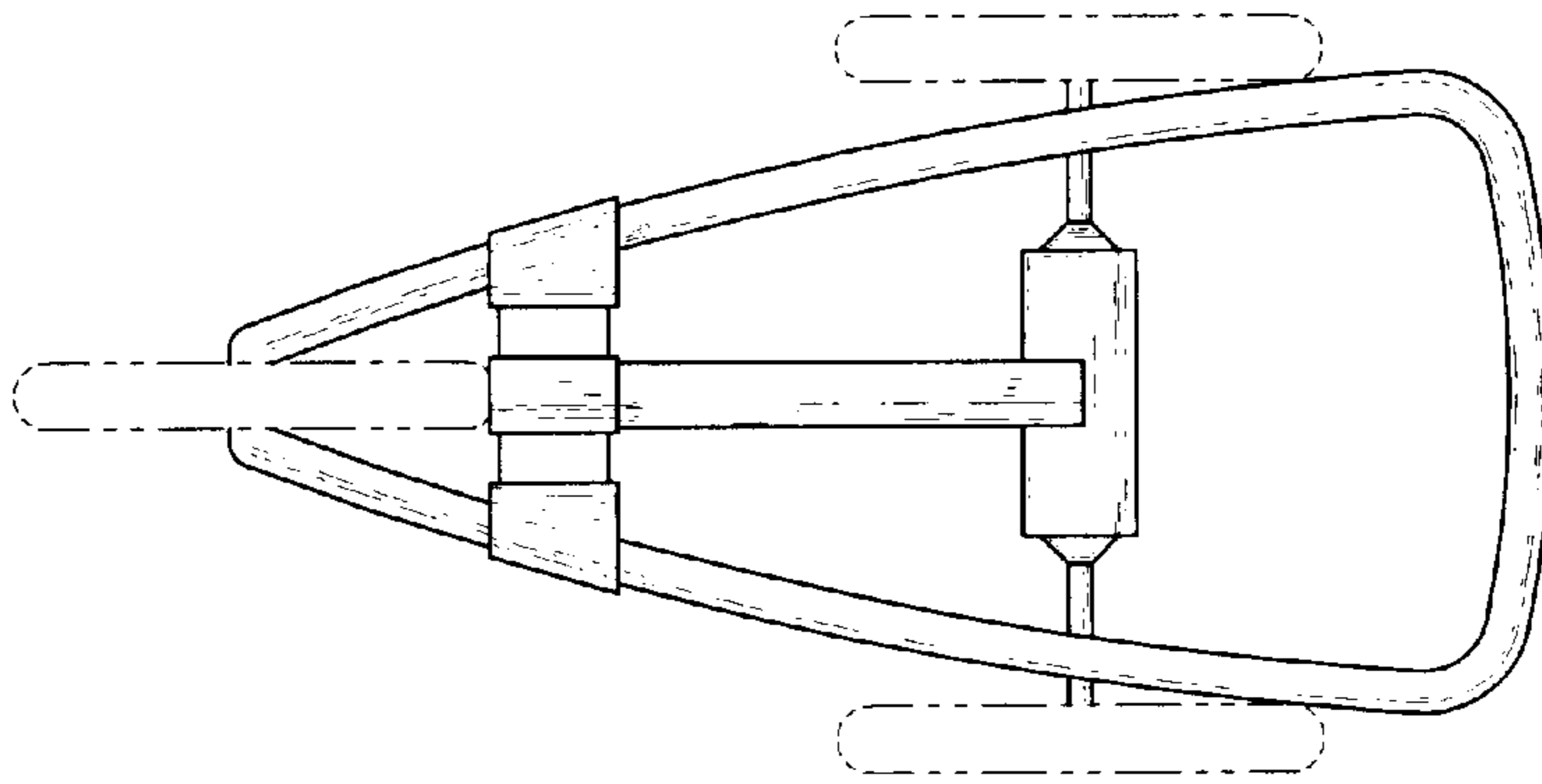
*Fig. 4*



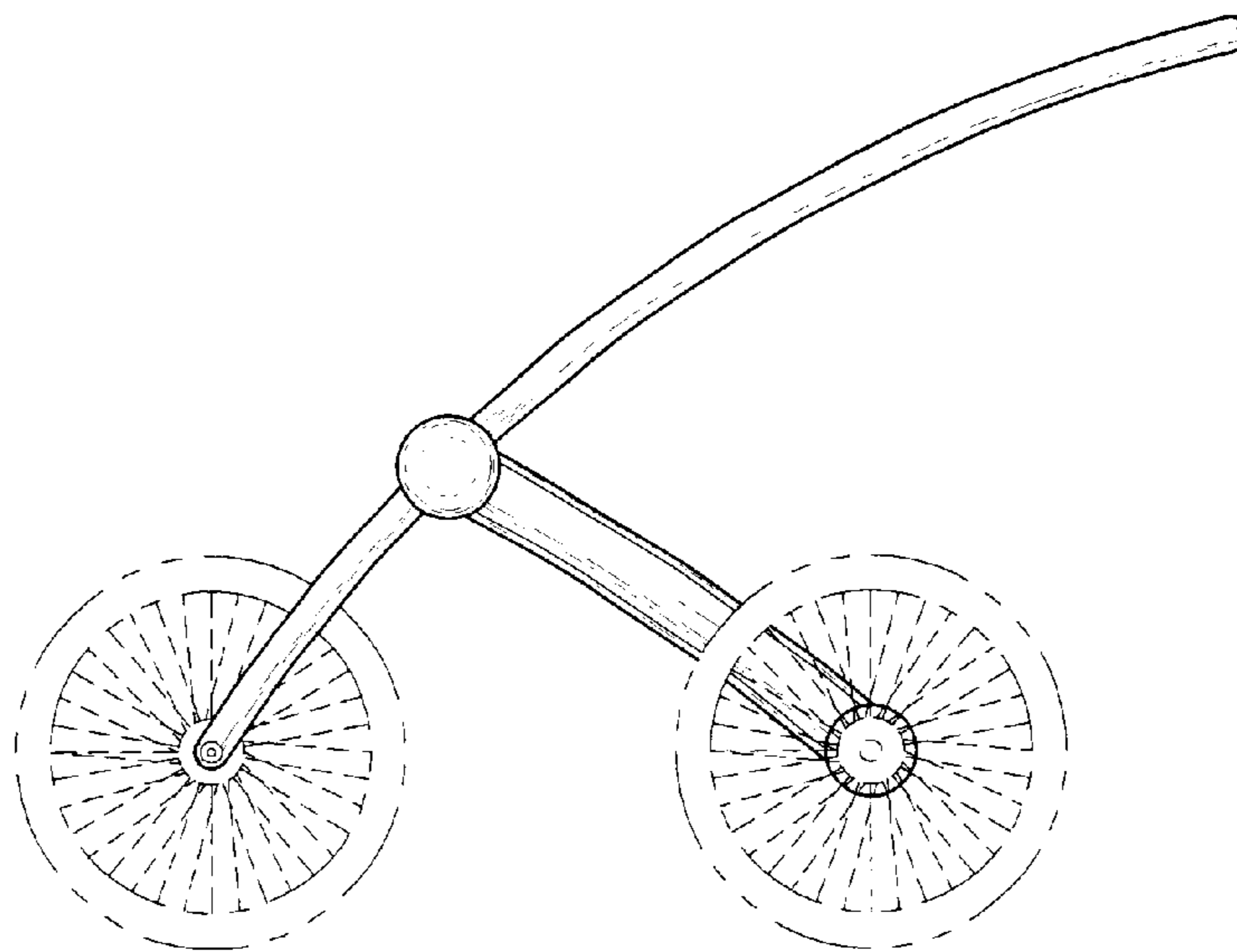
*Fig. 5*



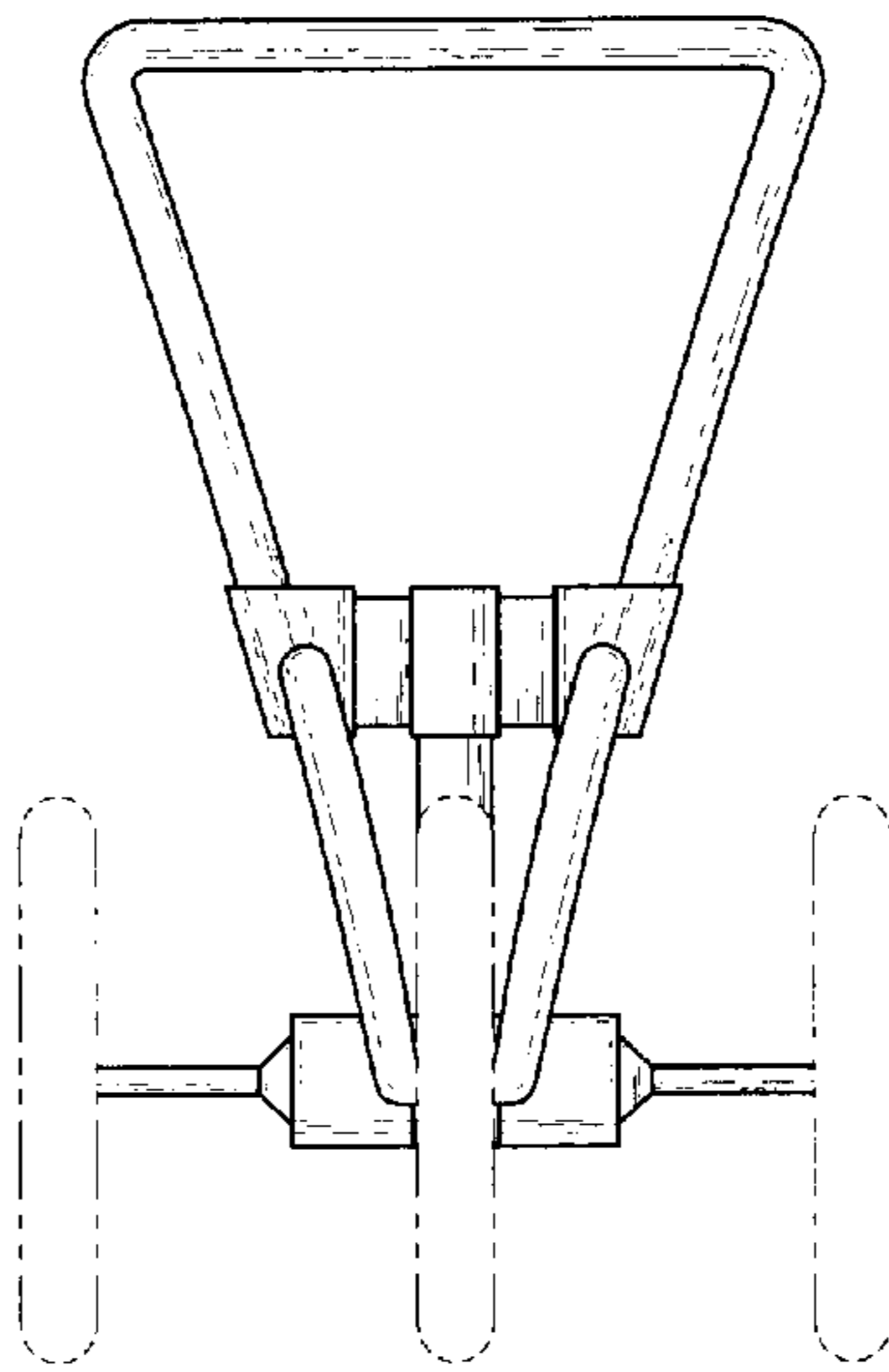
*Fig. 6*



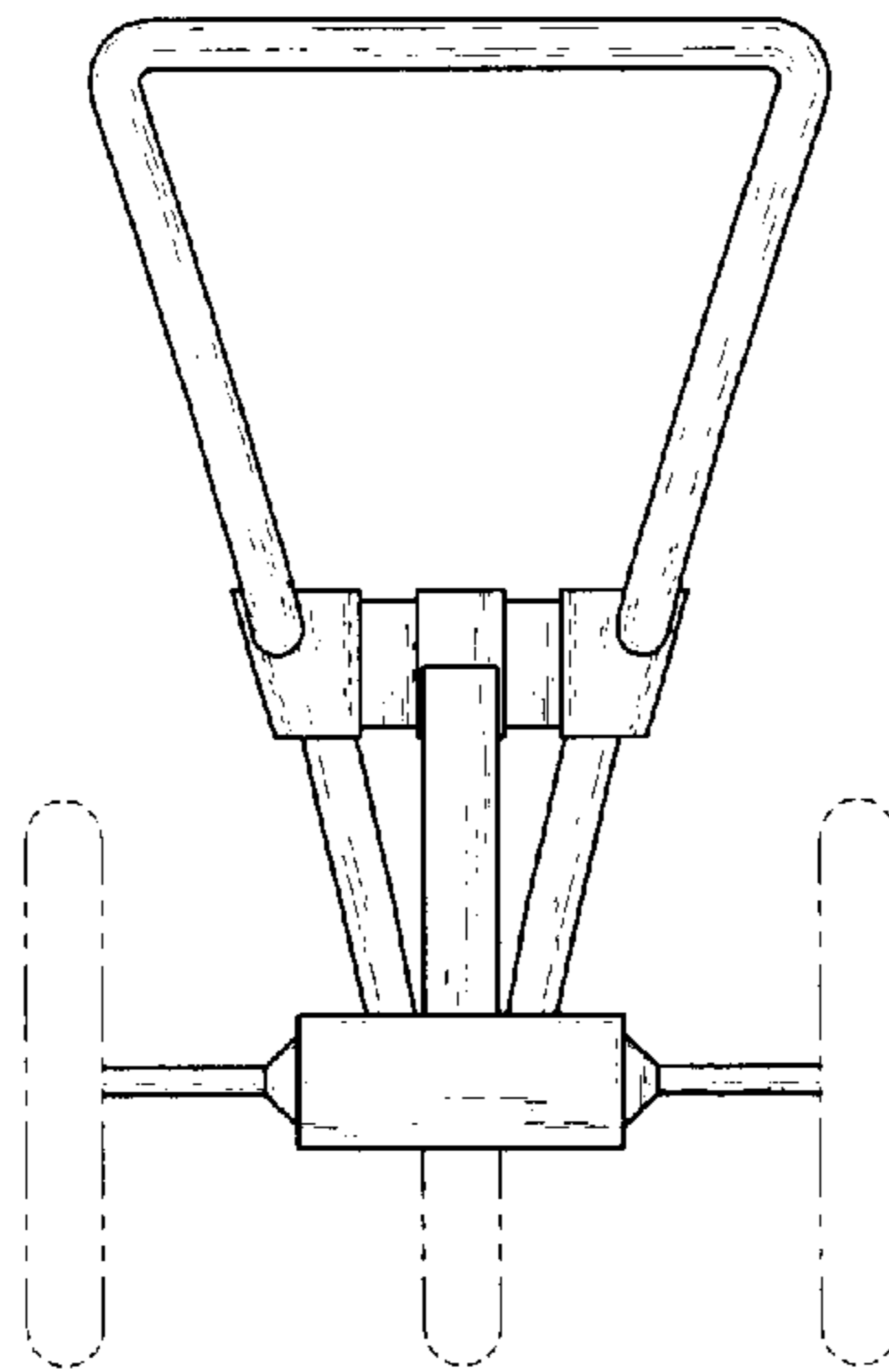
*Fig. 7*



*Fig. 8*



*Fig. 9*



*Fig. 10*