



US00D452194B1

(12) **United States Design Patent**
Stohr et al.

(10) **Patent No.:** **US D452,194 S**
(45) **Date of Patent:** **** Dec. 18, 2001**

(54) **BABY STROLLER FRAME**

(75) Inventors: **Richard M. Stohr**, Yakima; **Rene Garza**, Toppenish, both of WA (US)

(73) Assignee: **Racing Strollers, Inc.**, Yakima, WA (US)

(**) Term: **14 Years**

(21) Appl. No.: **29/131,827**

(22) Filed: **Oct. 27, 2000**

(51) **LOC (7) Cl.** **12-12**

(52) **U.S. Cl.** **D12/129**

(58) **Field of Search** D12/128-133;
D34/18; 280/36, 42, 38, 47, 62, 641, 642,
643, 650, 658

(56) **References Cited**

U.S. PATENT DOCUMENTS

- D. 418,780 * 1/2000 Everett et al. D12/129
- D. 442,895 * 5/2001 Chiu D12/133

* cited by examiner

Primary Examiner—Marcus A. Jackson

(74) *Attorney, Agent, or Firm*—Seed IP Law Group PLLC

(57) **CLAIM**

The ornamental design for a baby stroller frame, as shown and described.

DESCRIPTION

FIG. 1 is a front perspective view of a baby stroller frame showing our new design.

FIG. 2 is a top plan view thereof.

FIG. 3 is a left side elevational view thereof, the right side elevational view being a mirror image thereto.

FIG. 4 is a front elevational view thereof.

FIG. 5 is a rear elevational view thereof.

FIG. 6 is a front perspective view of a second embodiment thereof.

FIG. 7 is a top plan view thereof.

FIG. 8 is a left side elevational view thereof, the right side elevational view being a mirror image thereto.

FIG. 9 is a front elevational view thereof.

FIG. 10 is a rear elevational view thereof.

FIG. 11 is a front perspective view of a third embodiment thereof.

FIG. 12 is a top plan view thereof.

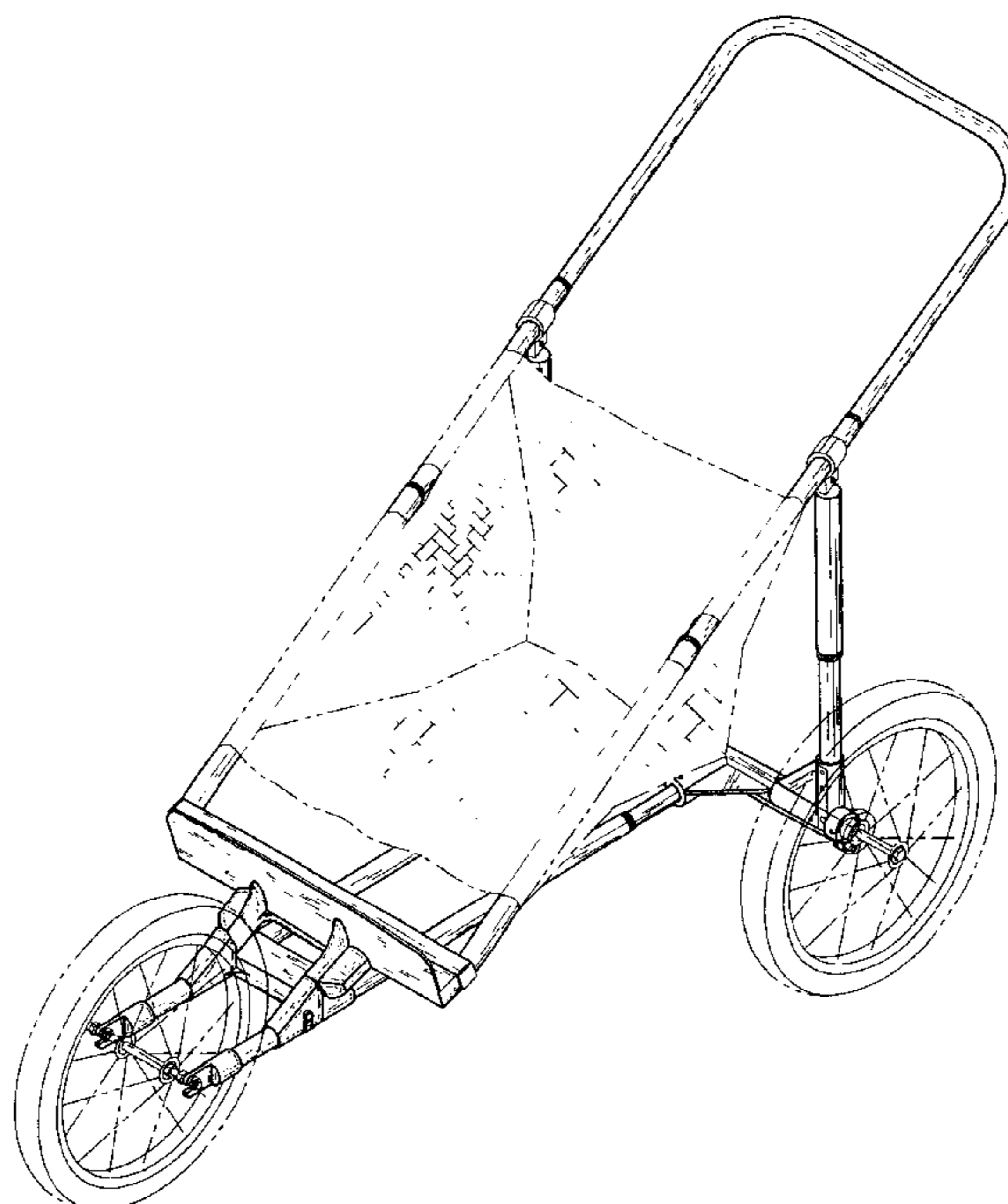
FIG. 13 is a left side elevational view thereof, the right side elevational view being a mirror image thereto.

FIG. 14 is a front elevational view thereof; and,

FIG. 15 is a rear elevational view thereof.

The broken lines are for illustrative purposes only and form no part of the claimed design.

1 Claim, 9 Drawing Sheets



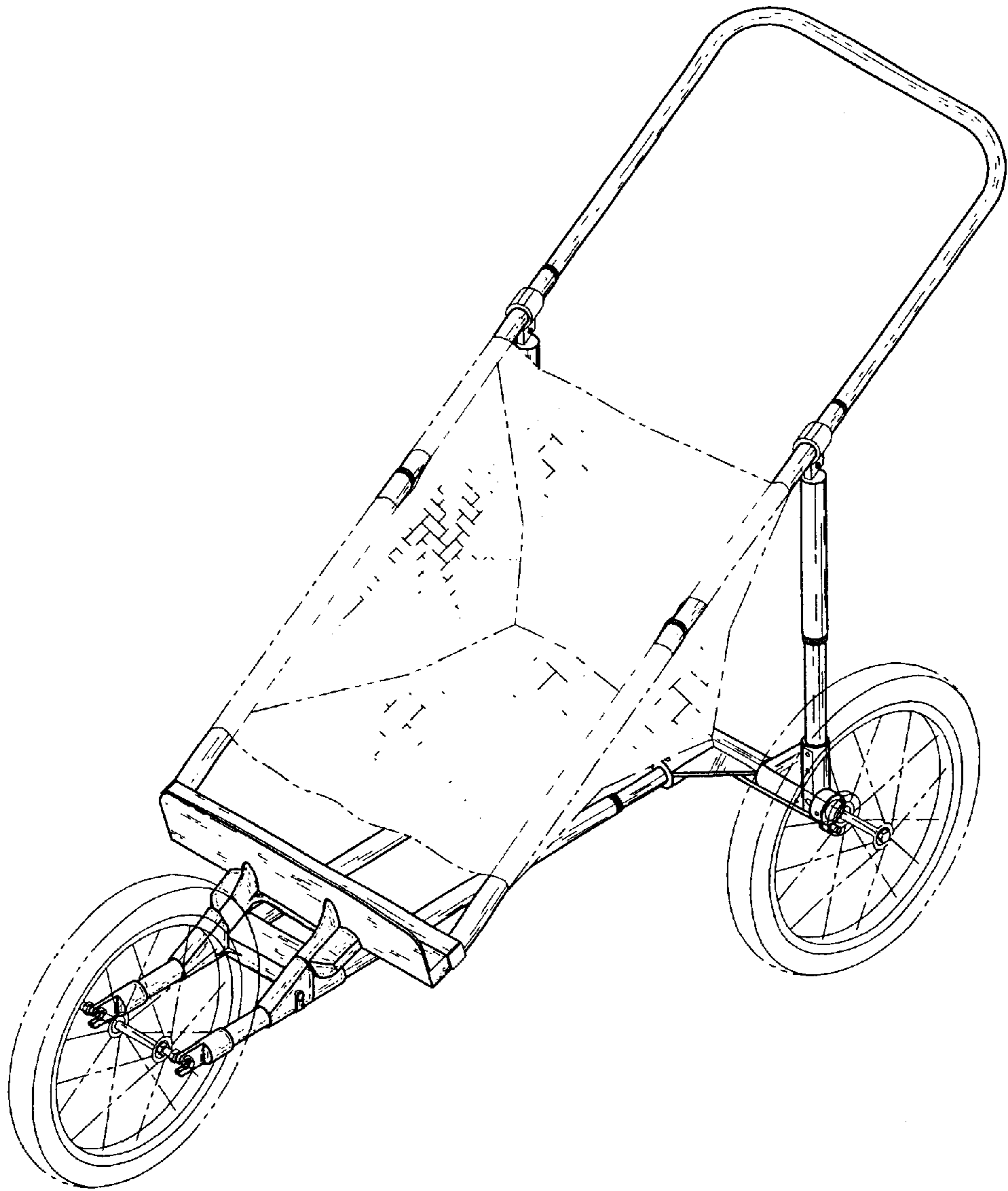


Fig. 1

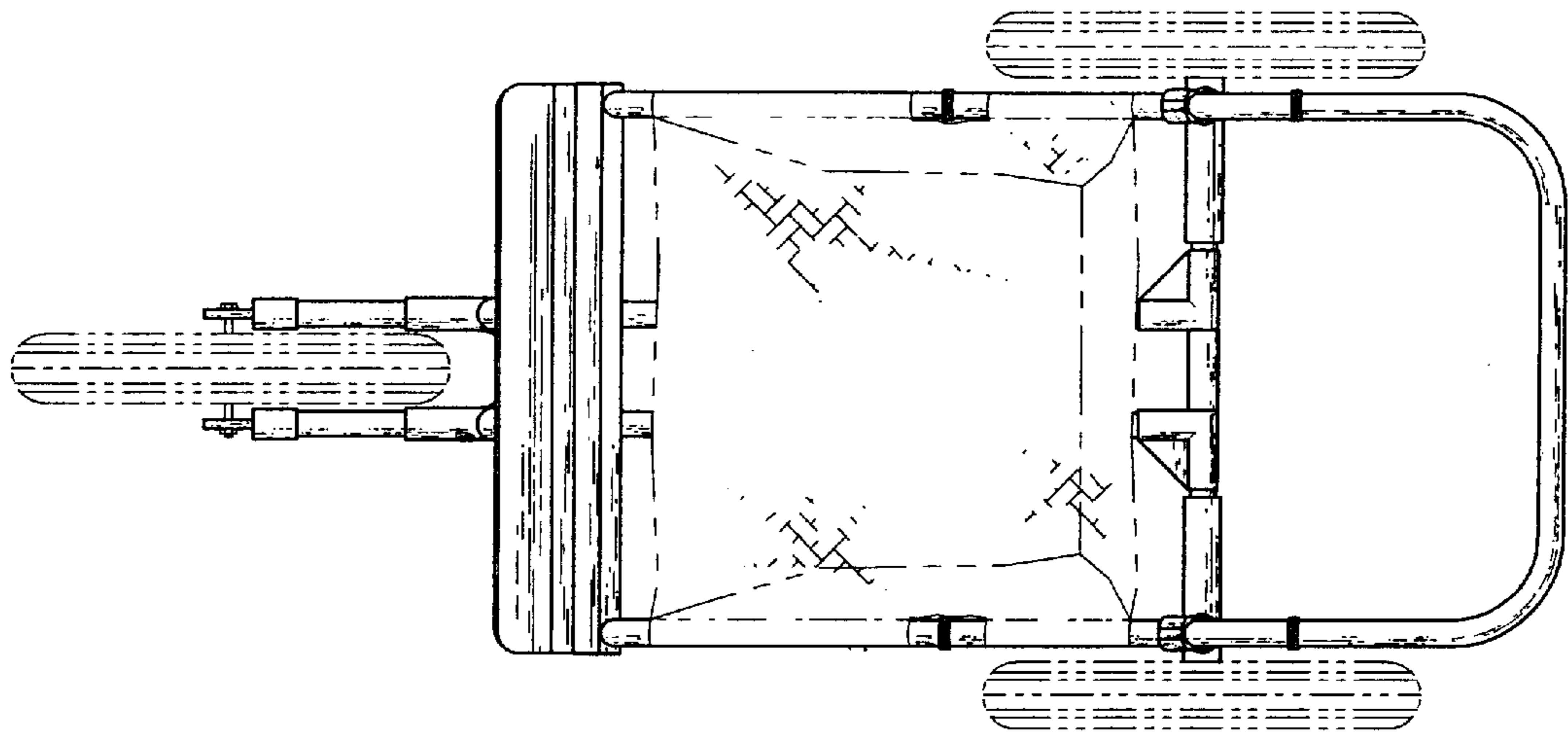


Fig. 2

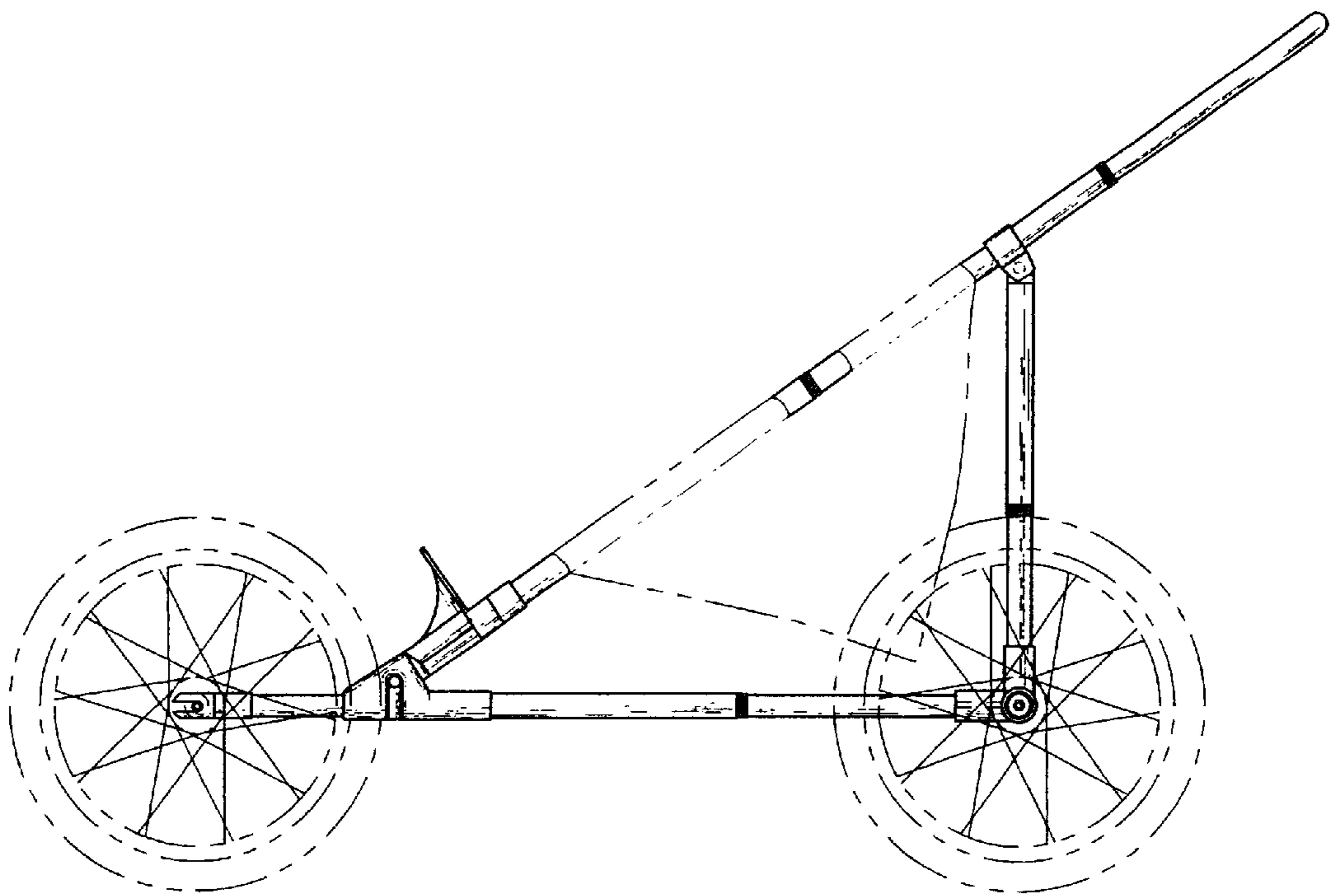


Fig. 3

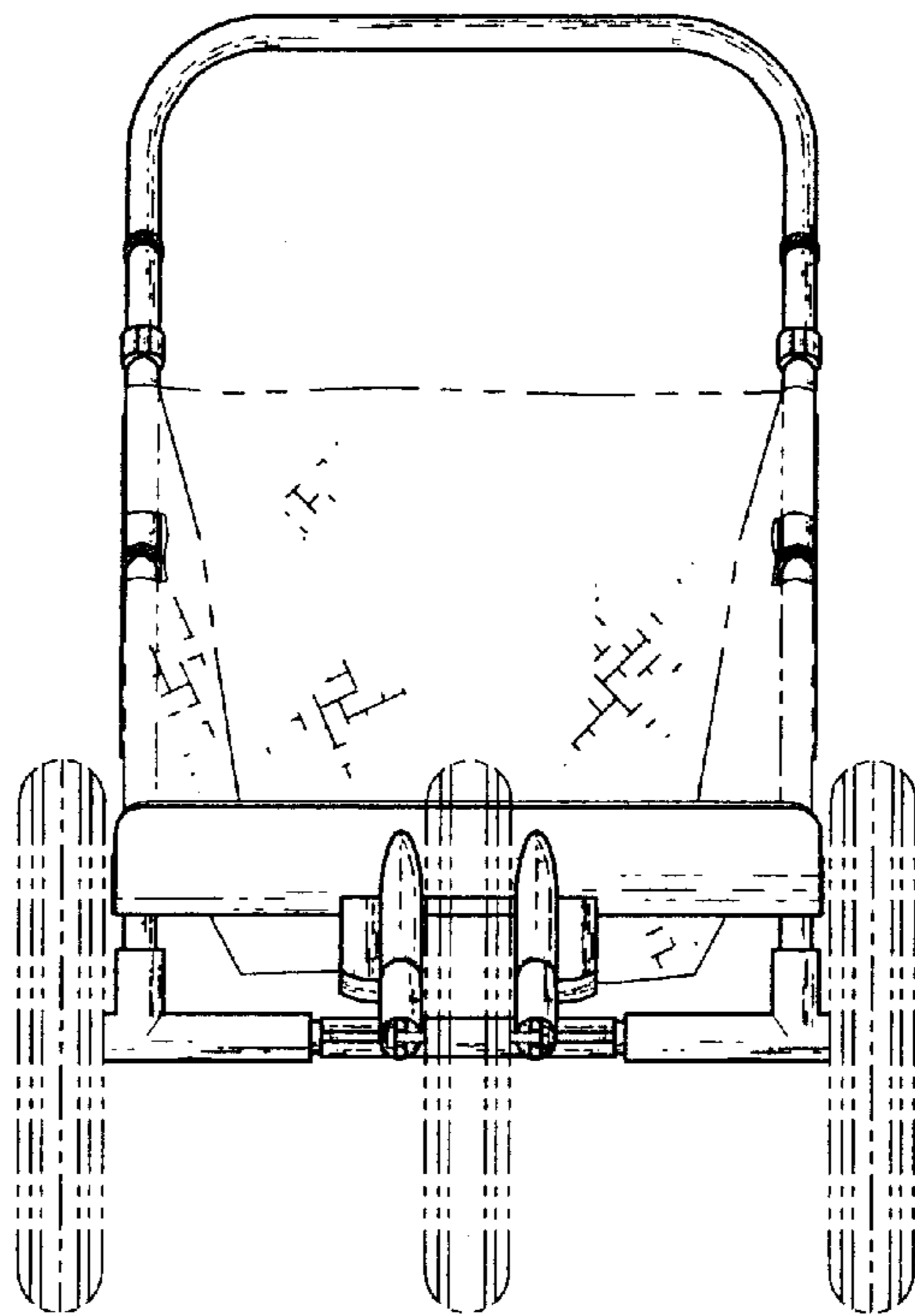


Fig. 4

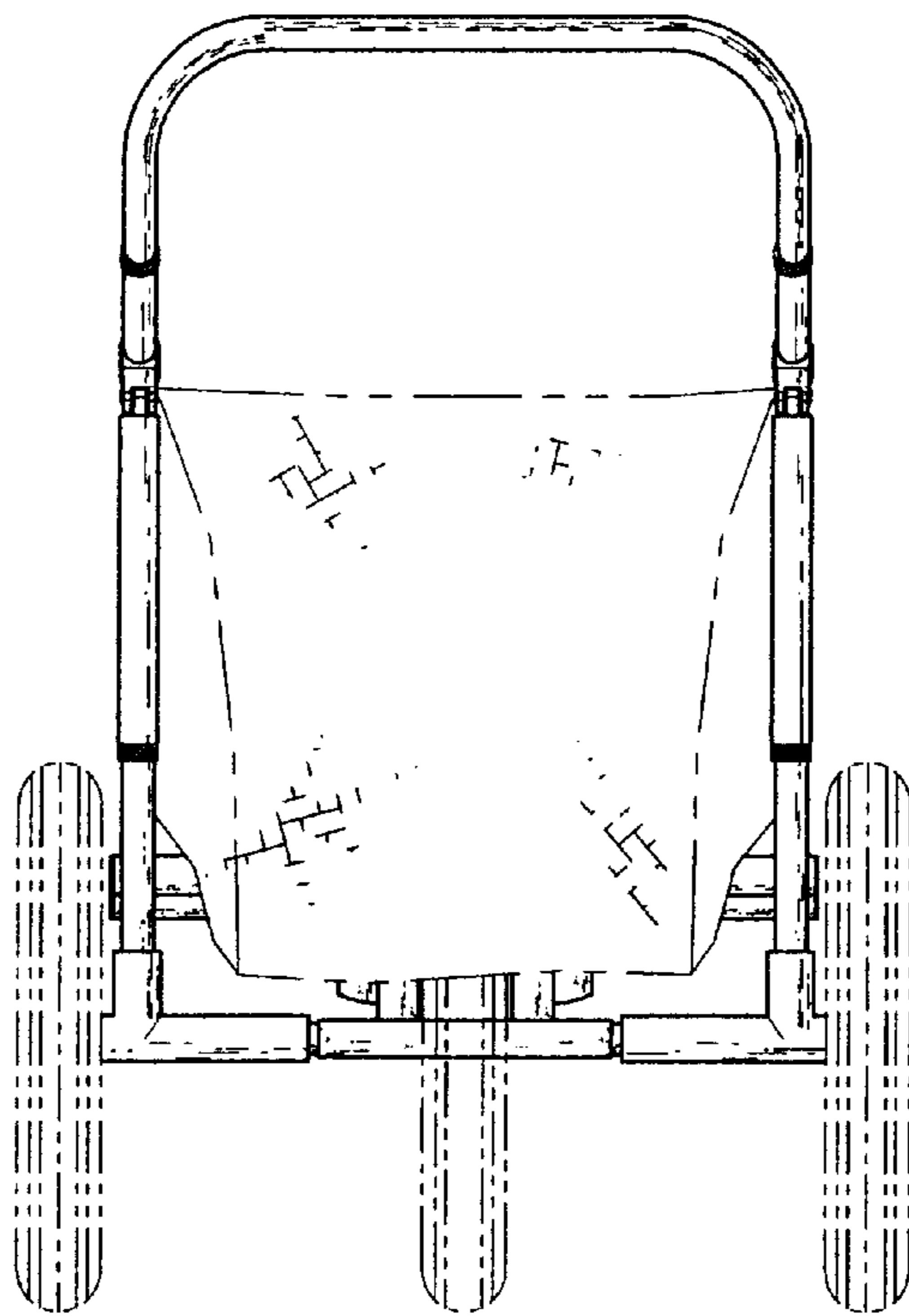


Fig. 5

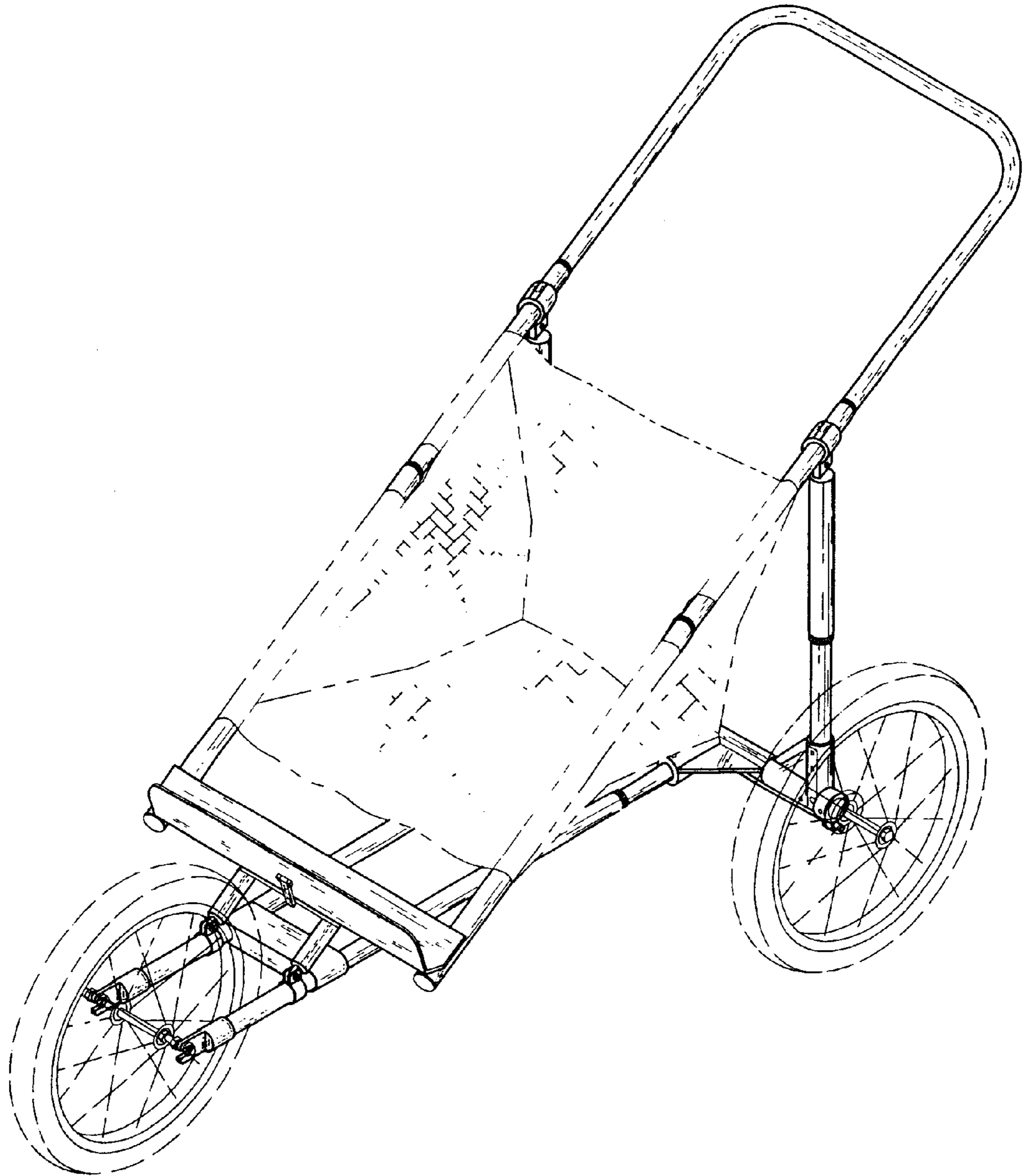


Fig. 6

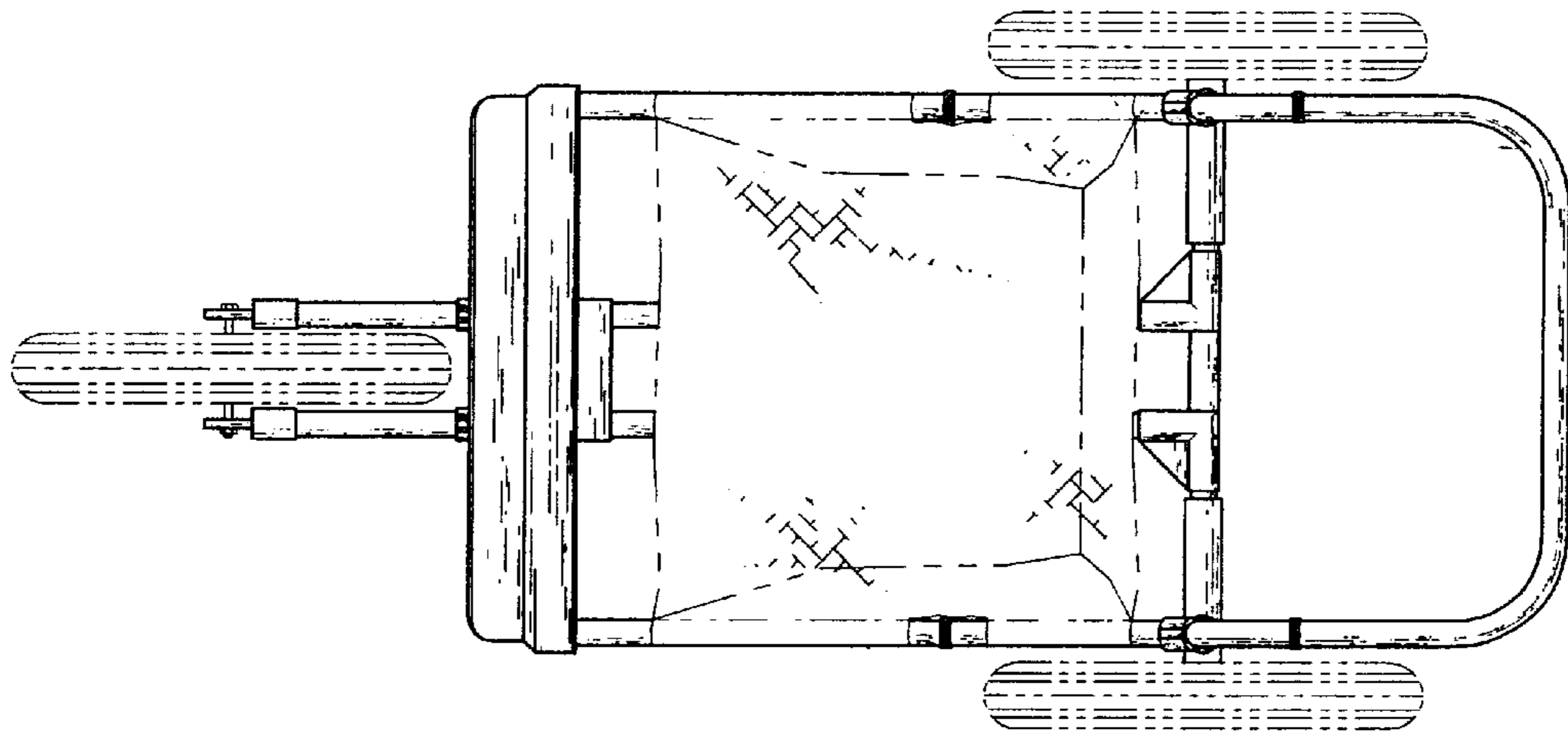


Fig. 7

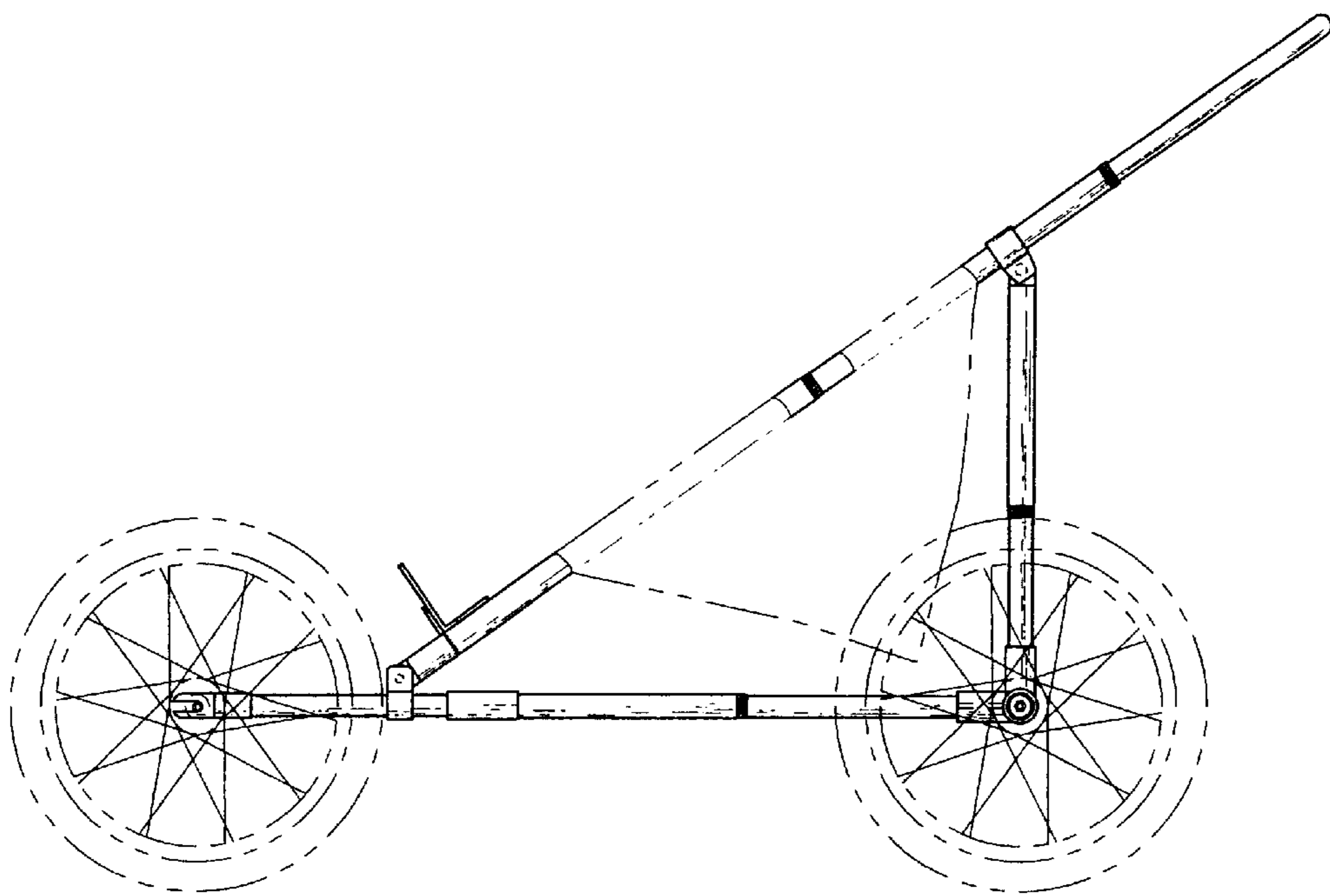


Fig. 8

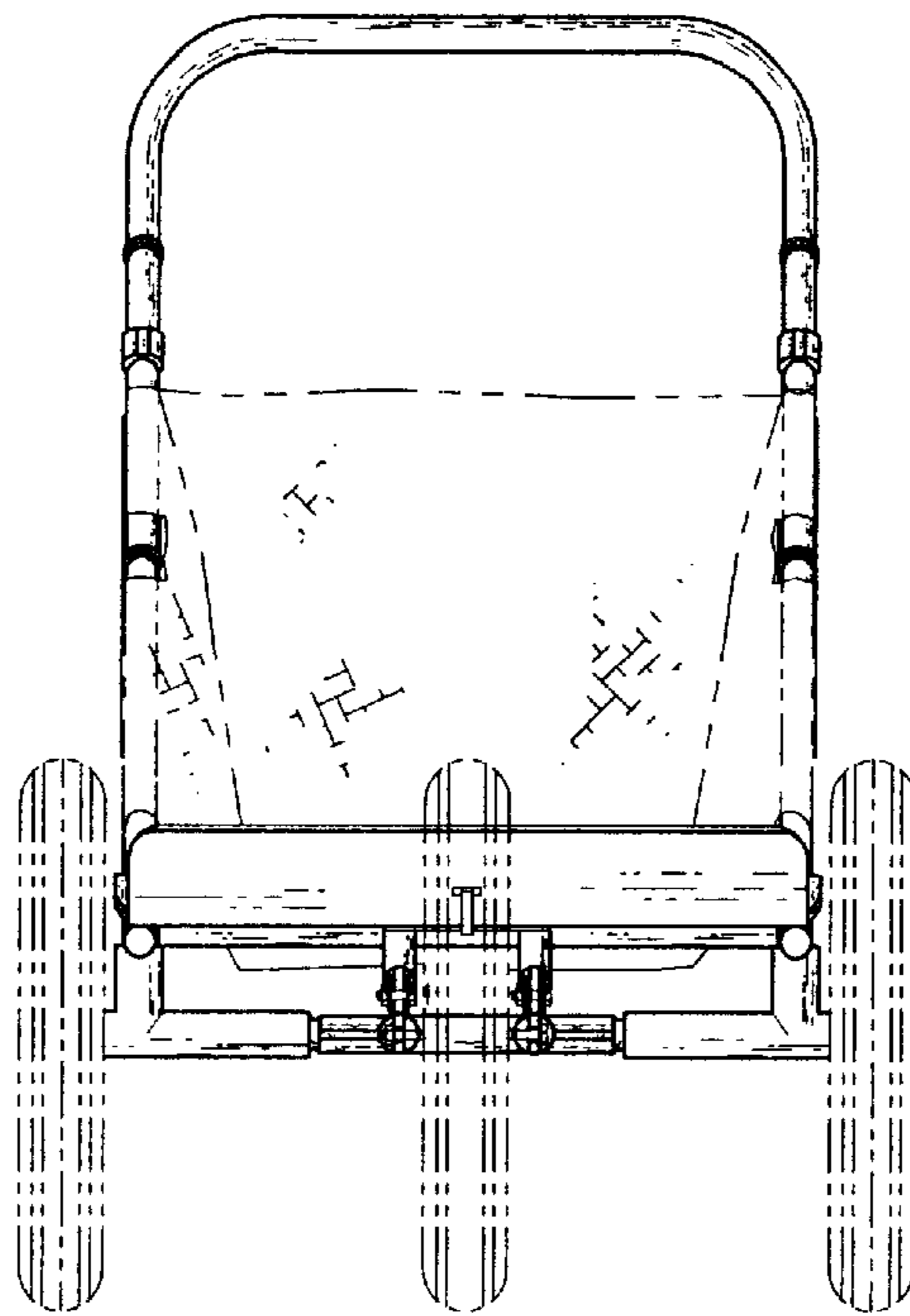


Fig. 9

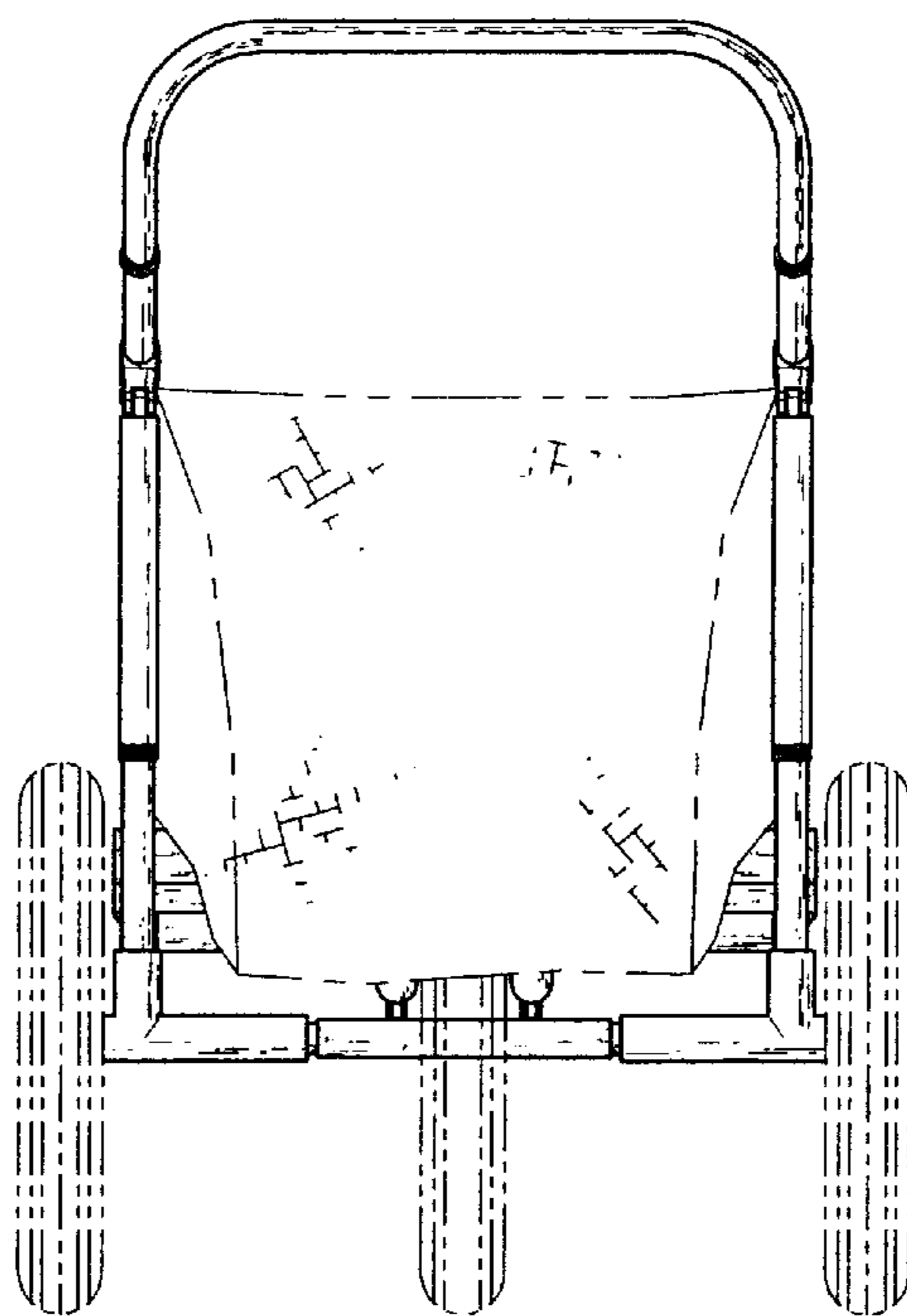


Fig. 10

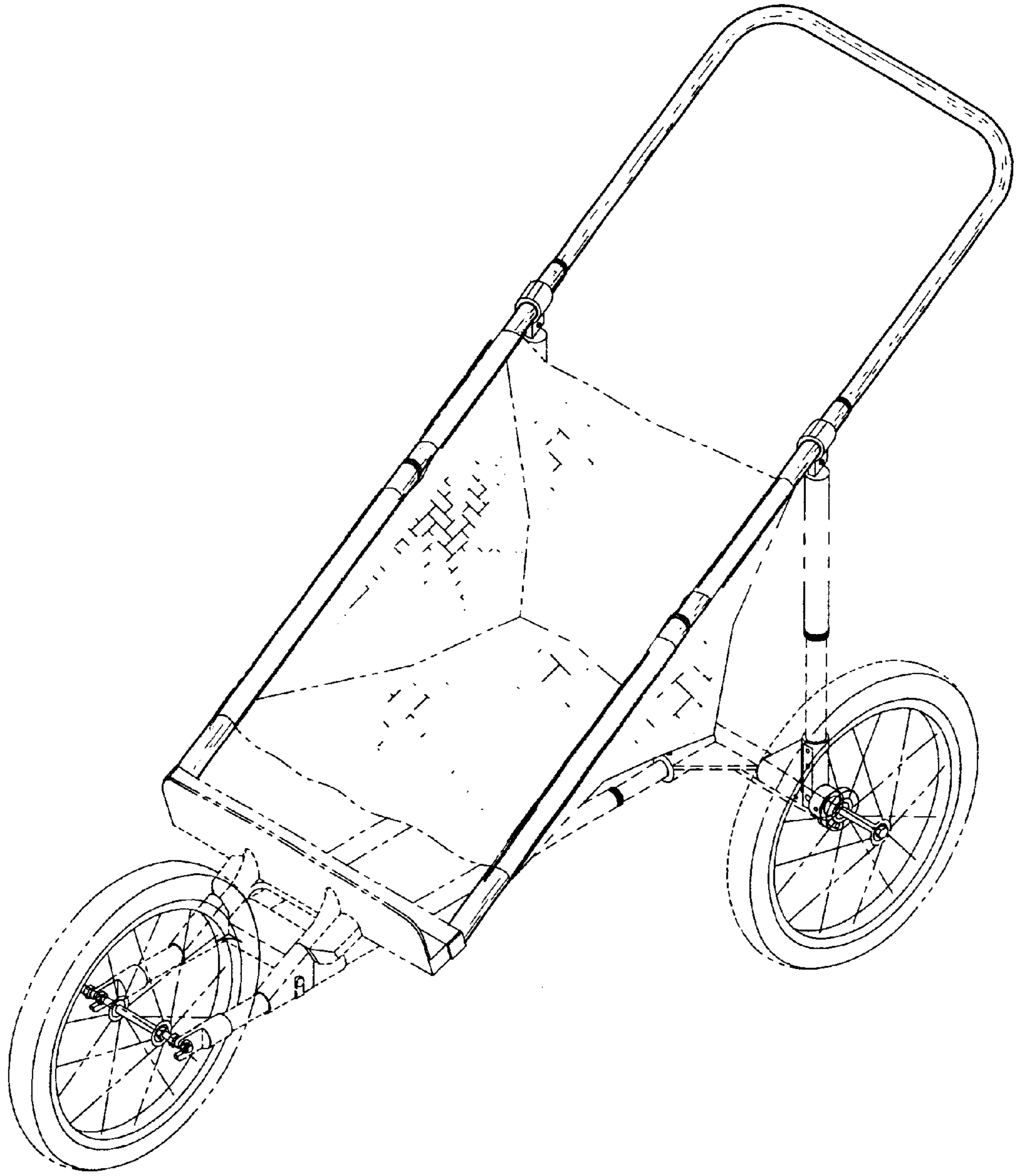


Fig. 11

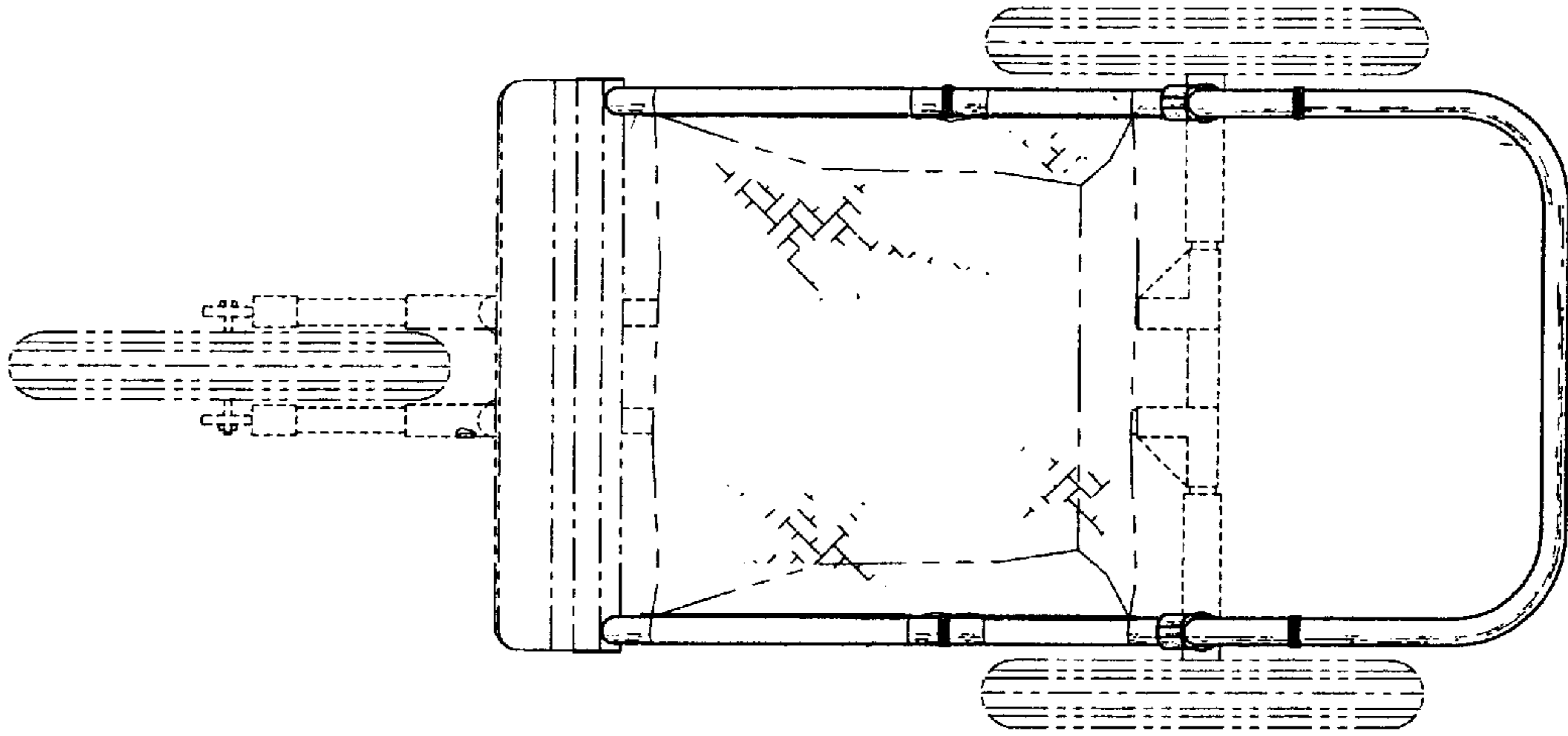


Fig. 12

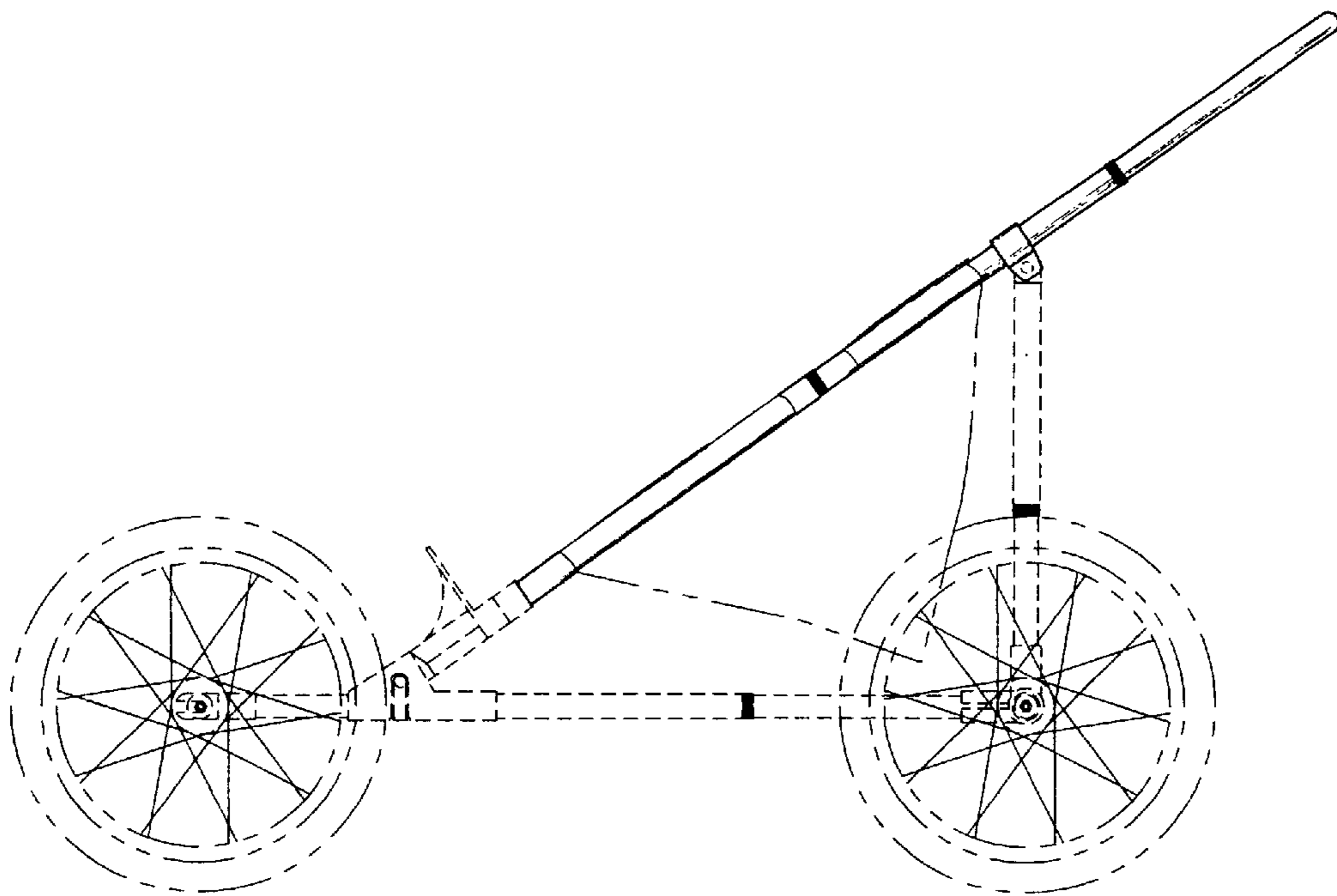


Fig. 13

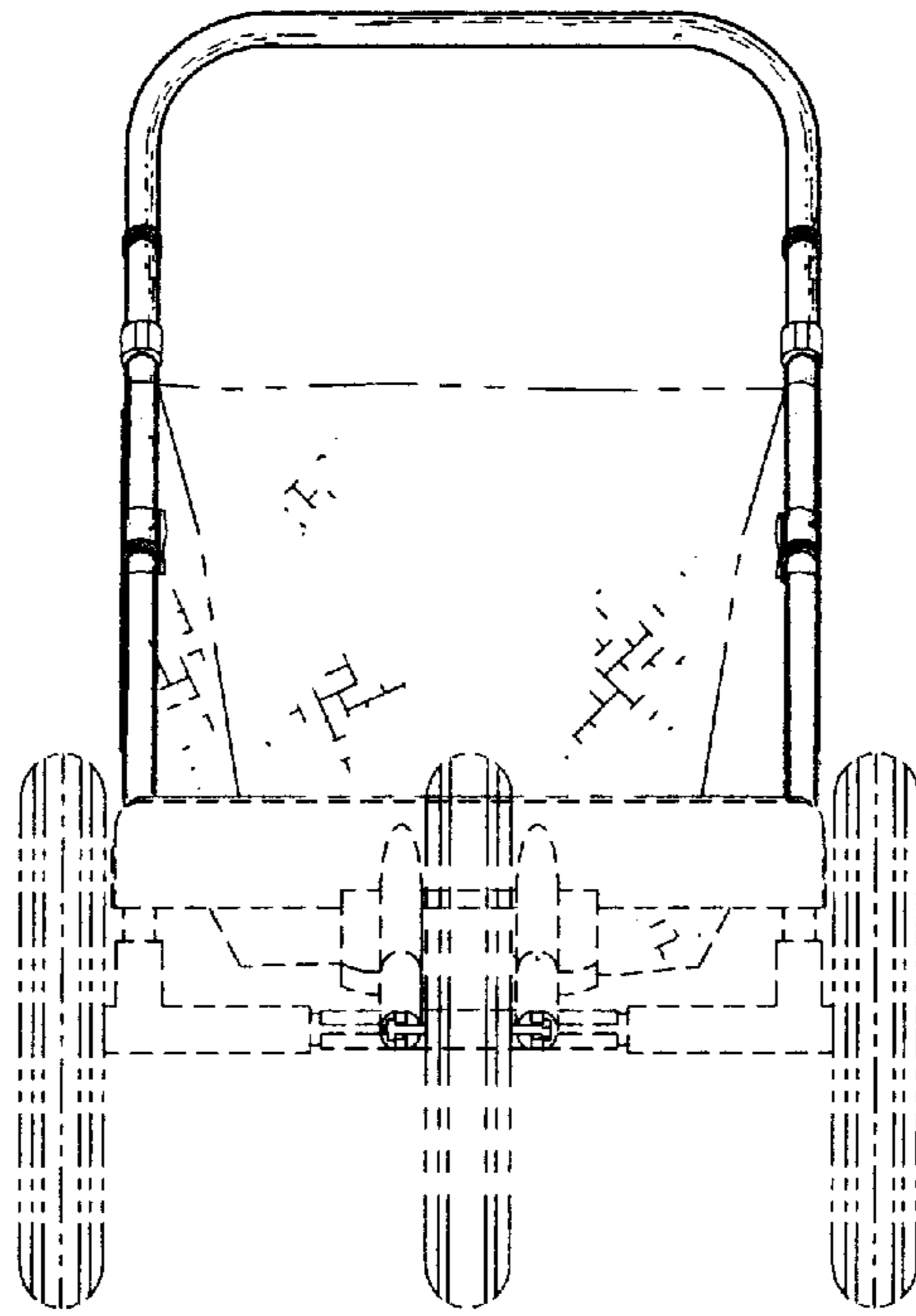


Fig. 14

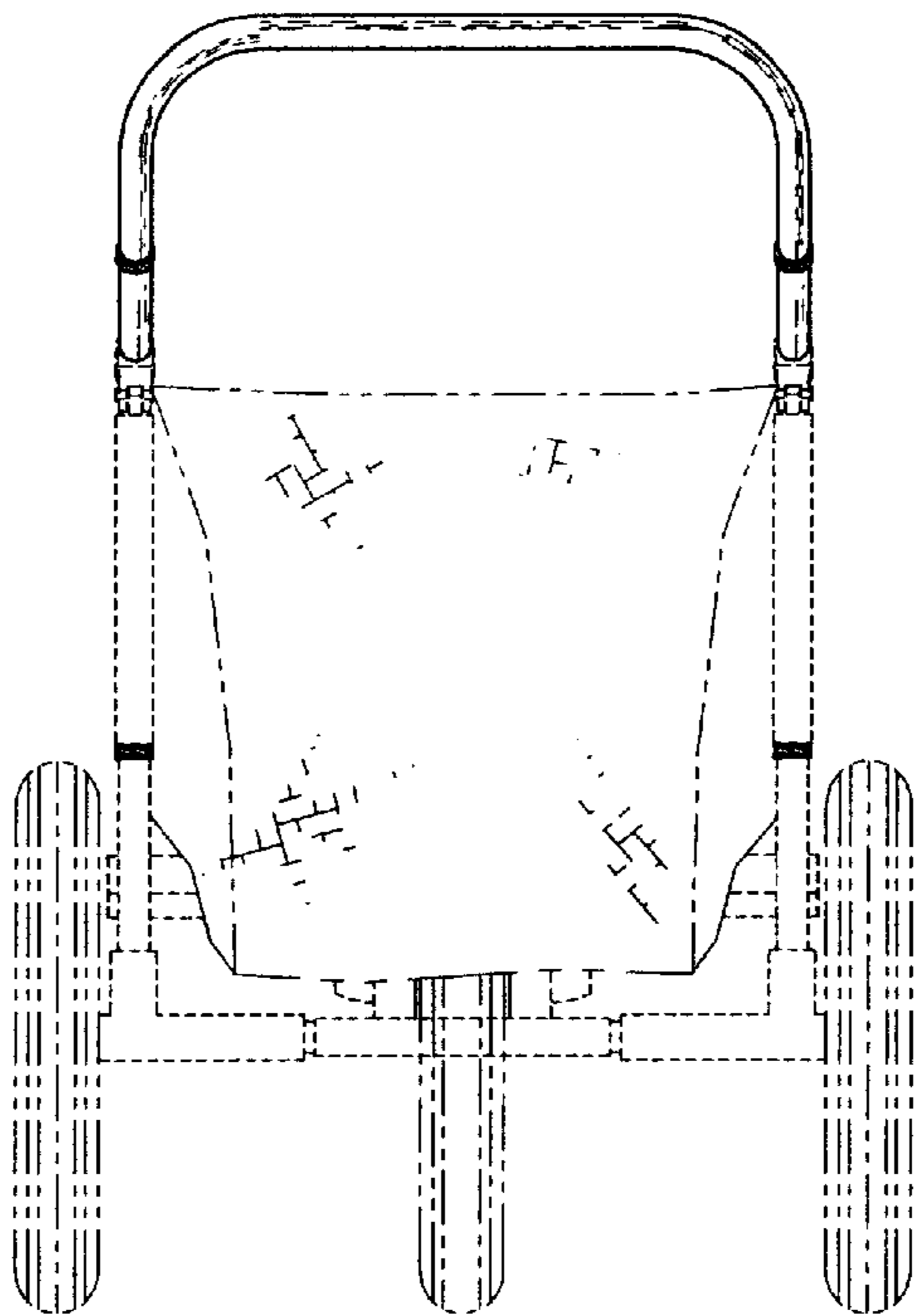


Fig. 15