



US00D452190B1

(12) **United States Design Patent**  
**Harper**

(10) **Patent No.:** **US D452,190 S**

(45) **Date of Patent:** **\*\* Dec. 18, 2001**

(54) **DRESSING CHAIR FOR THE HANDICAPPED AND INFIRMED**  
  
(76) Inventor: **Morley J. Harper**, 2453 Forest Leaf Pkwy., Wildwood, MO (US) 63011  
  
(\*\*) Term: **14 Years**

5,149,036 9/1992 Sheehan .  
5,226,439 7/1993 O'Keeffe et al. .  
5,231,721 8/1993 Fish .  
5,257,426 11/1993 Leoutsakos .  
5,354,022 10/1994 Coonrod .  
5,624,154 4/1997 Kishi .  
5,865,710 2/1999 Wilson-Hyde .

**FOREIGN PATENT DOCUMENTS**

(21) Appl. No.: **29/118,178**  
(22) Filed: **Feb. 7, 2000**

1429311 10/1968 (DE) .

\* cited by examiner

(51) **LOC (7) Cl.** ..... **12-12**  
(52) **U.S. Cl.** ..... **D12/128**  
(58) **Field of Search** ..... D12/128-133;  
280/250.1, 650; 297/5, 6, 349, 434, 440;  
5/81.1, 83.1, 85.1, 86.1, 87.1

*Primary Examiner*—Marcus A. Jackson  
(74) *Attorney, Agent, or Firm*—Paul M. Denk

(57) **CLAIM**

The ornamental design for the dressing chair for the handicapped and infirmed.

(56) **References Cited**

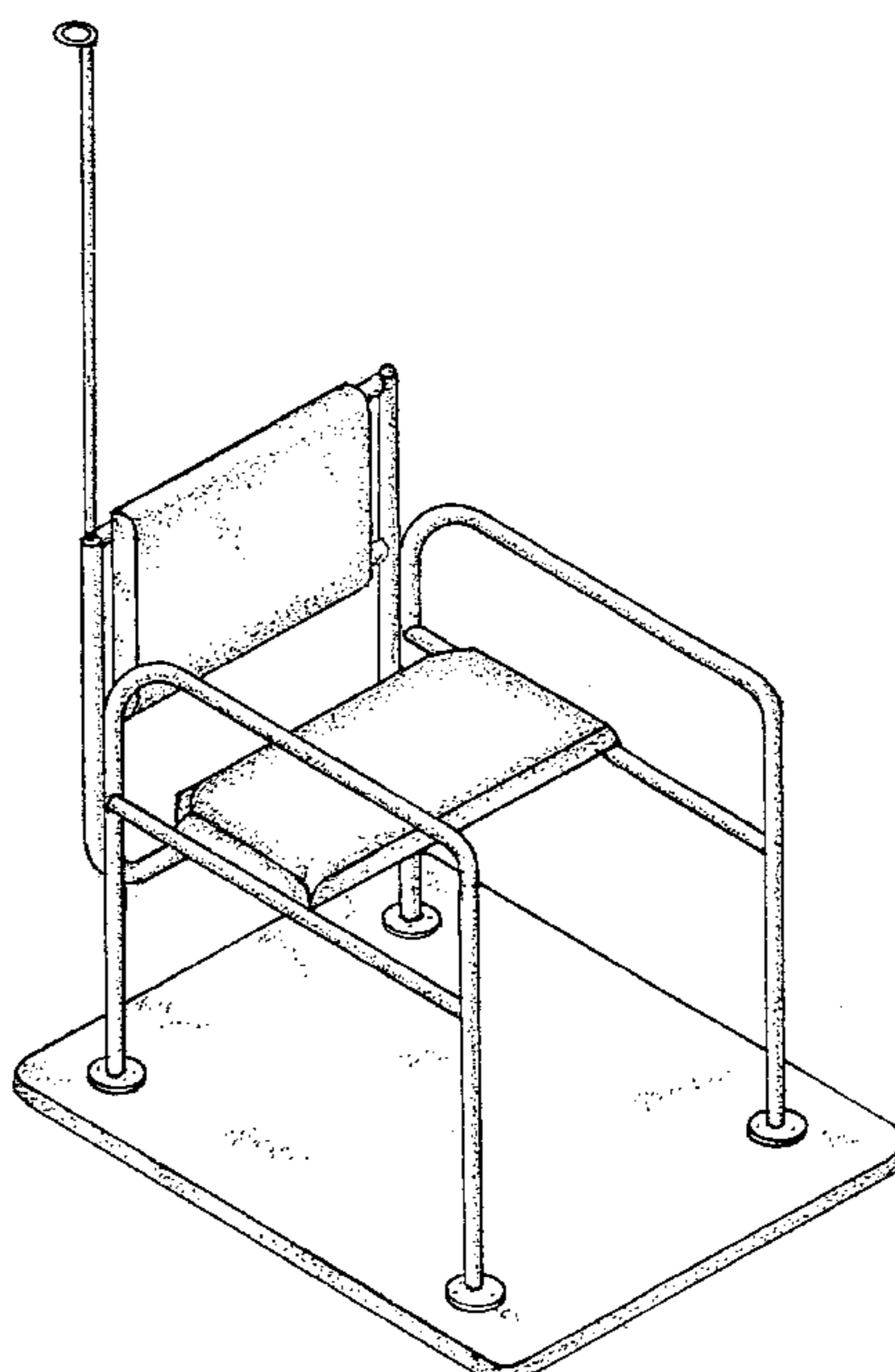
**U.S. PATENT DOCUMENTS**

D. 156,691 1/1950 Belmont .  
D. 158,472 5/1950 Kurtzman .  
D. 173,386 11/1954 Ryan .  
894,561 7/1908 Wood .  
2,262,581 11/1941 Gonczy .  
2,692,688 10/1954 Callais .  
2,742,956 4/1956 Cannata .  
3,100,128 8/1963 Gleitsman et al. .  
4,045,044 \* 8/1977 Bierer ..... D12/133  
4,373,222 2/1983 Wolfe et al. .  
4,564,164 1/1986 Allen et al. .  
4,587,678 5/1986 Love et al. .  
4,624,245 11/1986 Mullin et al. .  
4,907,303 3/1990 Baird .  
4,932,090 6/1990 Johansson .  
5,046,206 9/1991 Broyles .  
5,086,798 2/1992 Motts .  
5,148,559 \* 9/1992 Morris ..... D12/128

**DESCRIPTION**

FIG. 1 is an isometric view of the dressing chair for the handicapped and infirmed;  
FIG. 2 is a left side view, the right side being a mirror image thereof;  
FIG. 3 is a front view thereof;  
FIG. 4 is a rear view thereof, with the elevated rack removed;  
FIG. 5 is a top plan view of FIG. 4;  
FIG. 6 is a bottom view thereof;  
FIG. 7 is an isometric view of the dressing chair for the handicapped and infirmed and including a tray connected to its right side; and,  
FIG. 8 is an modified dressing chair for the handicapped and infirmed, configured to mount directly to the floor.

**1 Claim, 4 Drawing Sheets**



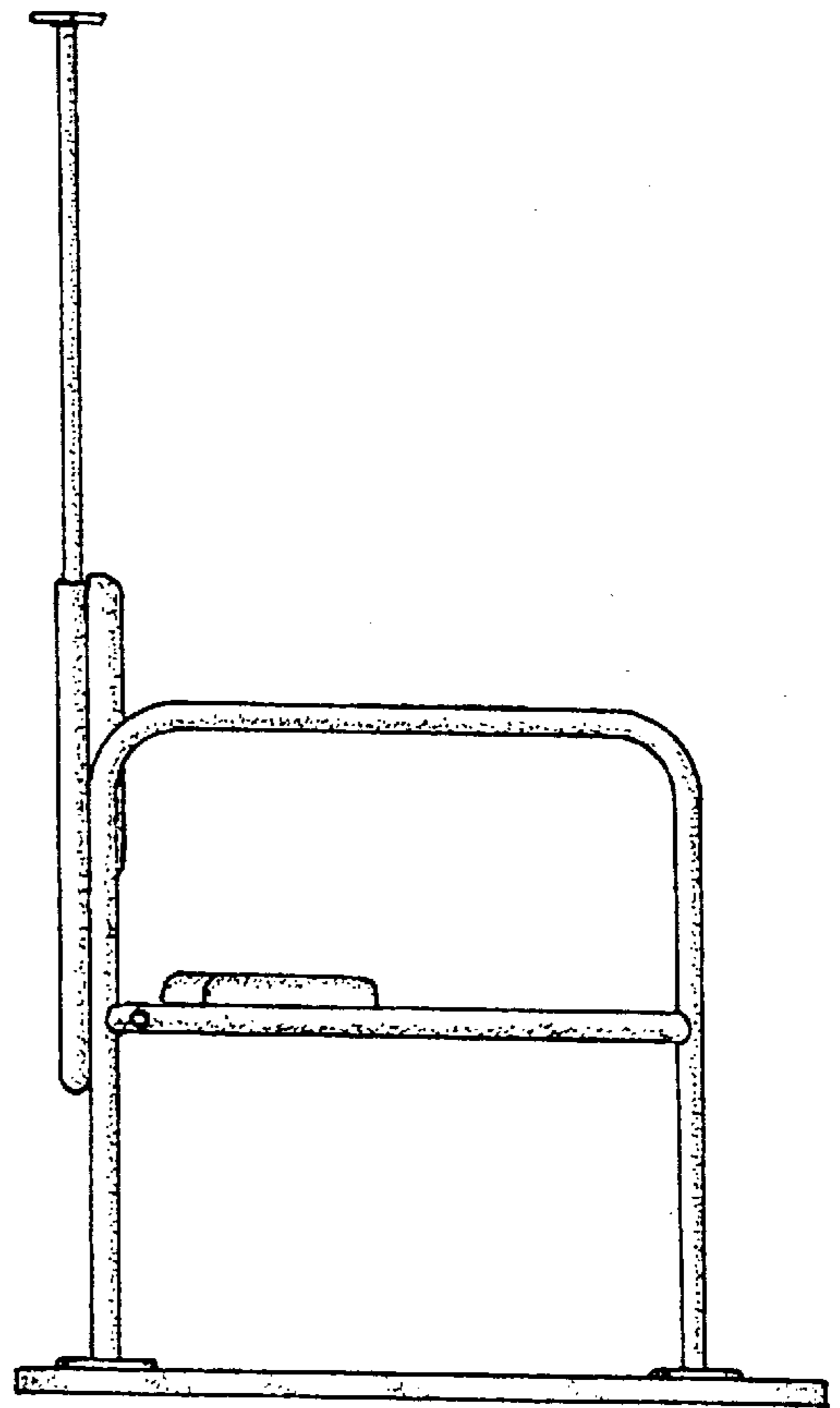
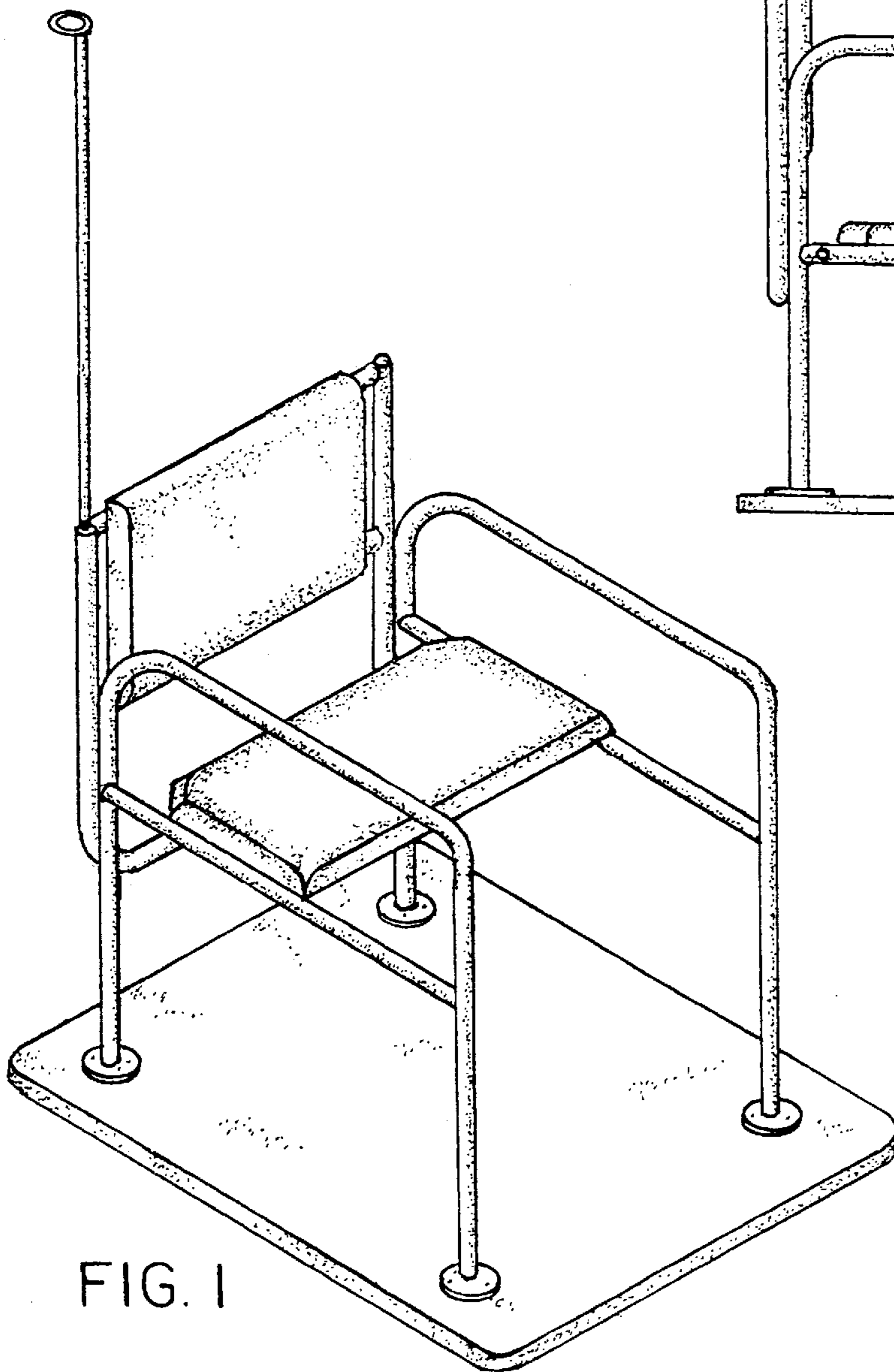


FIG. 2

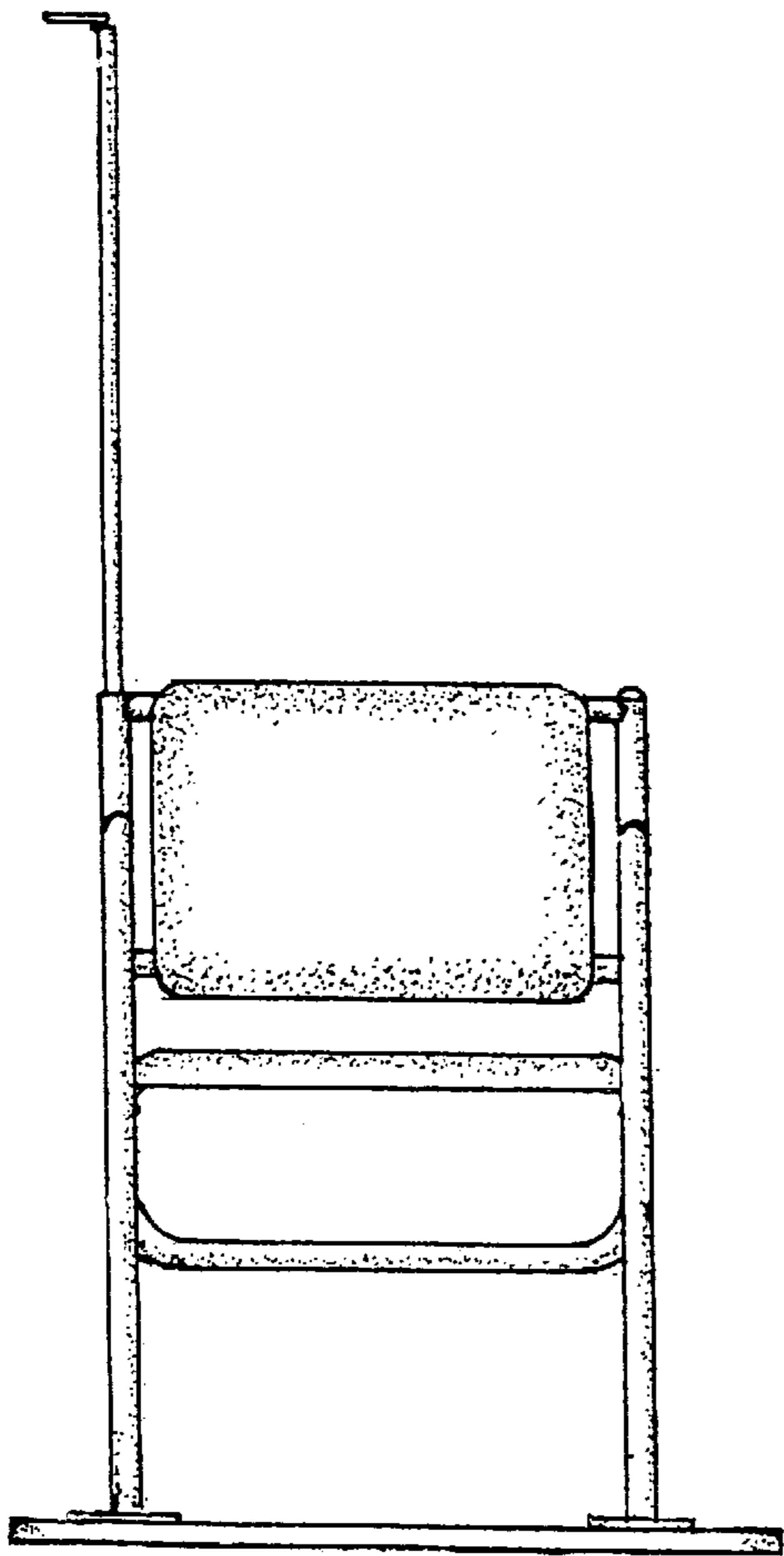


FIG. 3

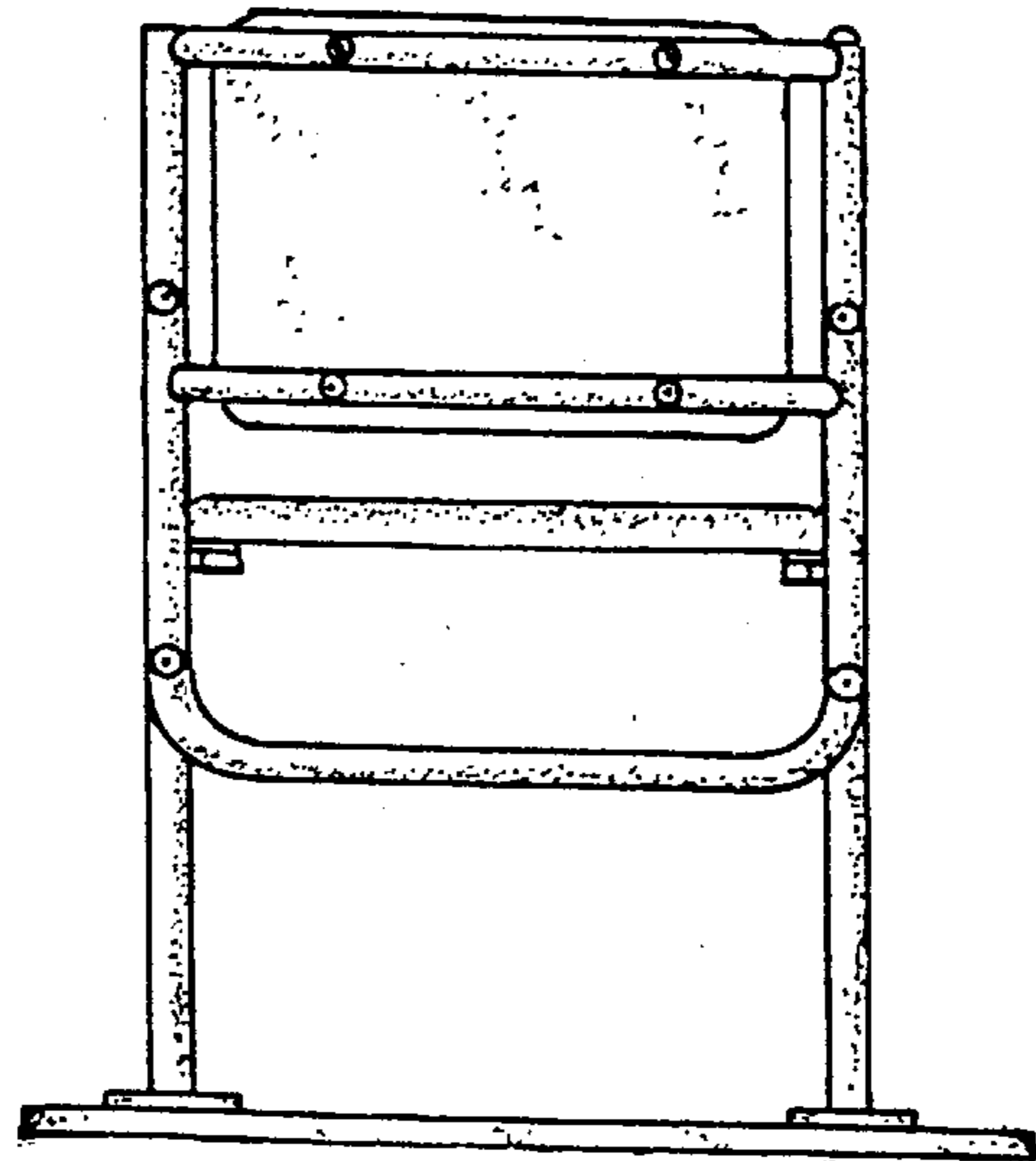


FIG. 4

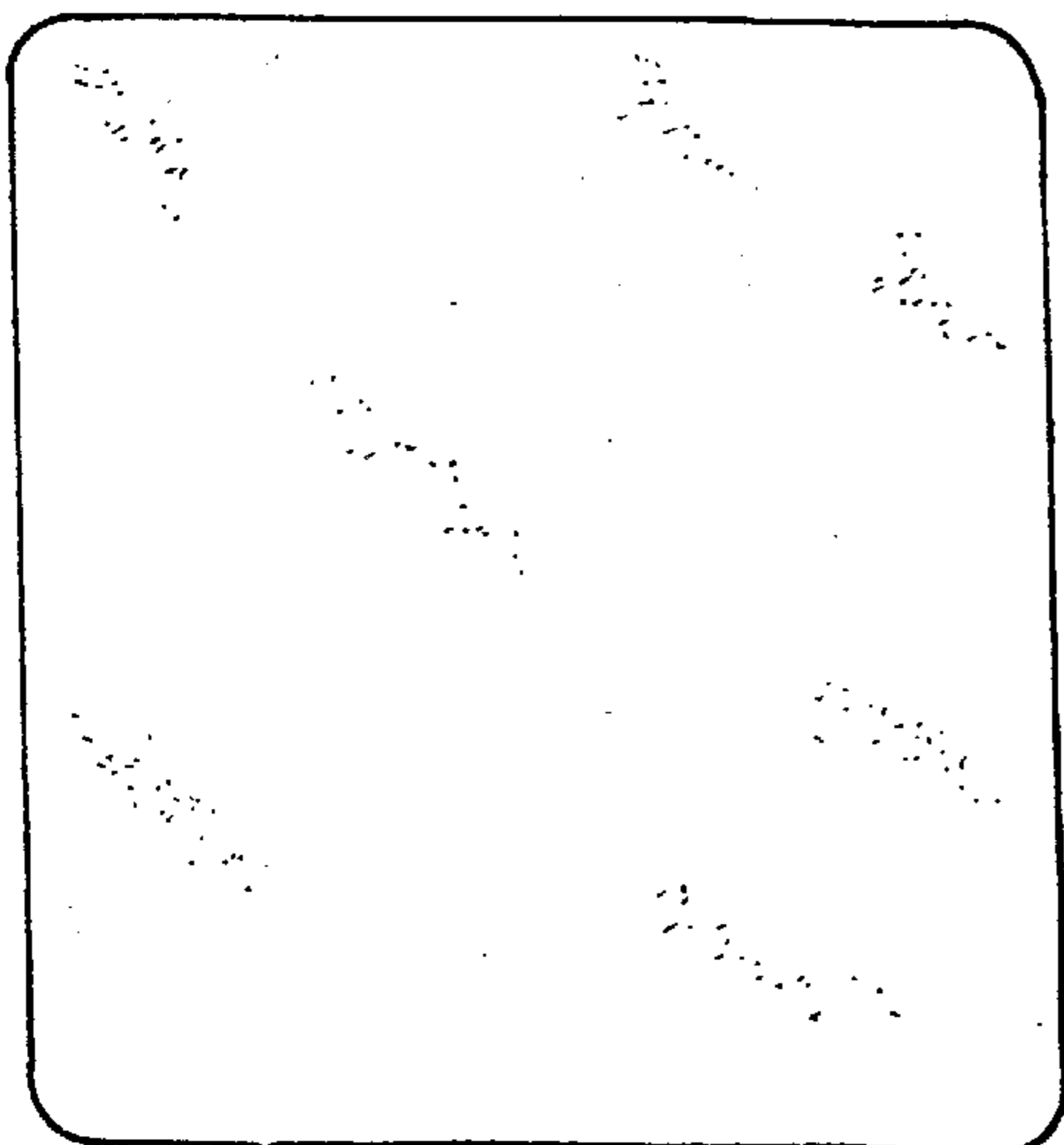


FIG. 6

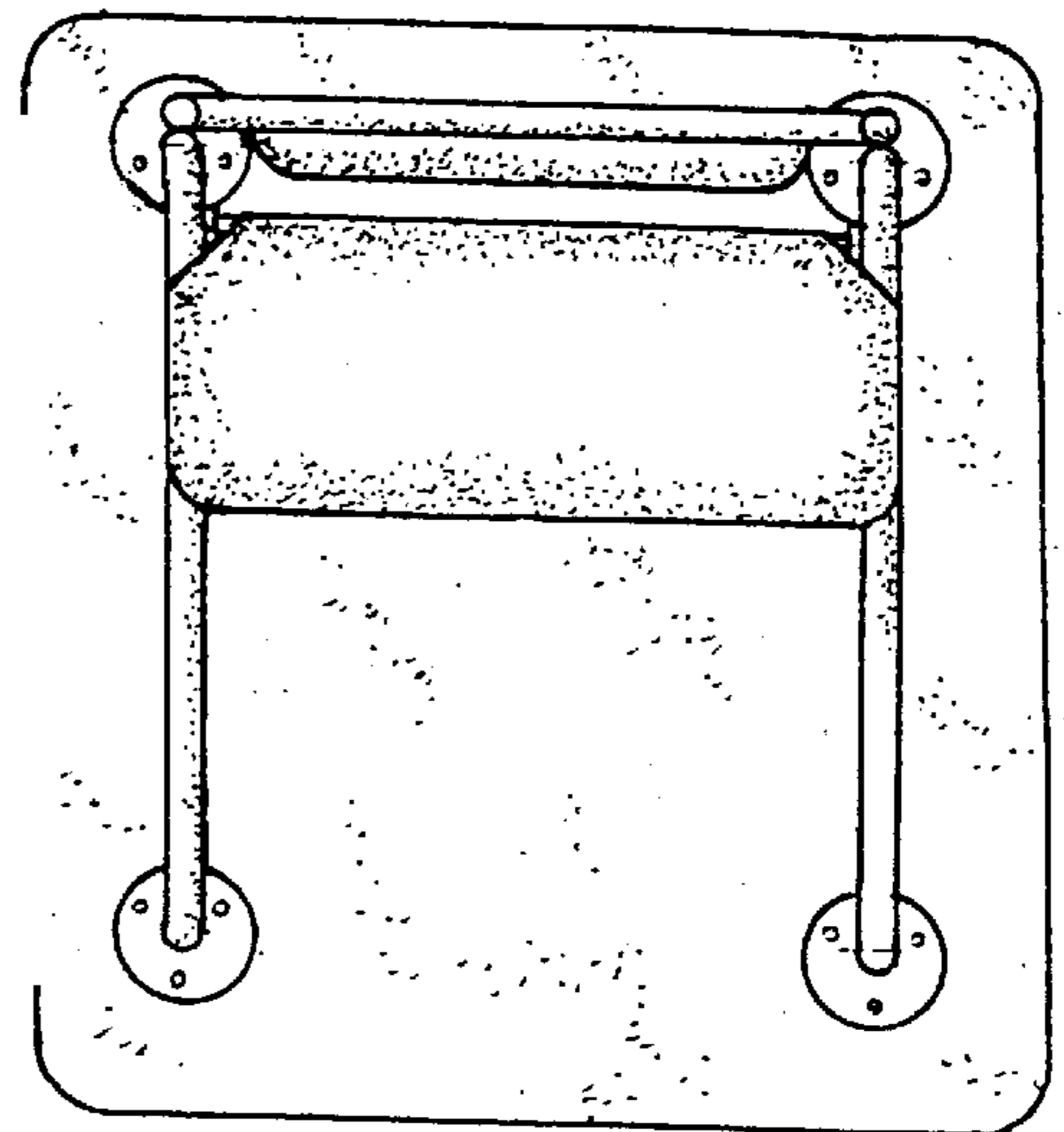


FIG. 5

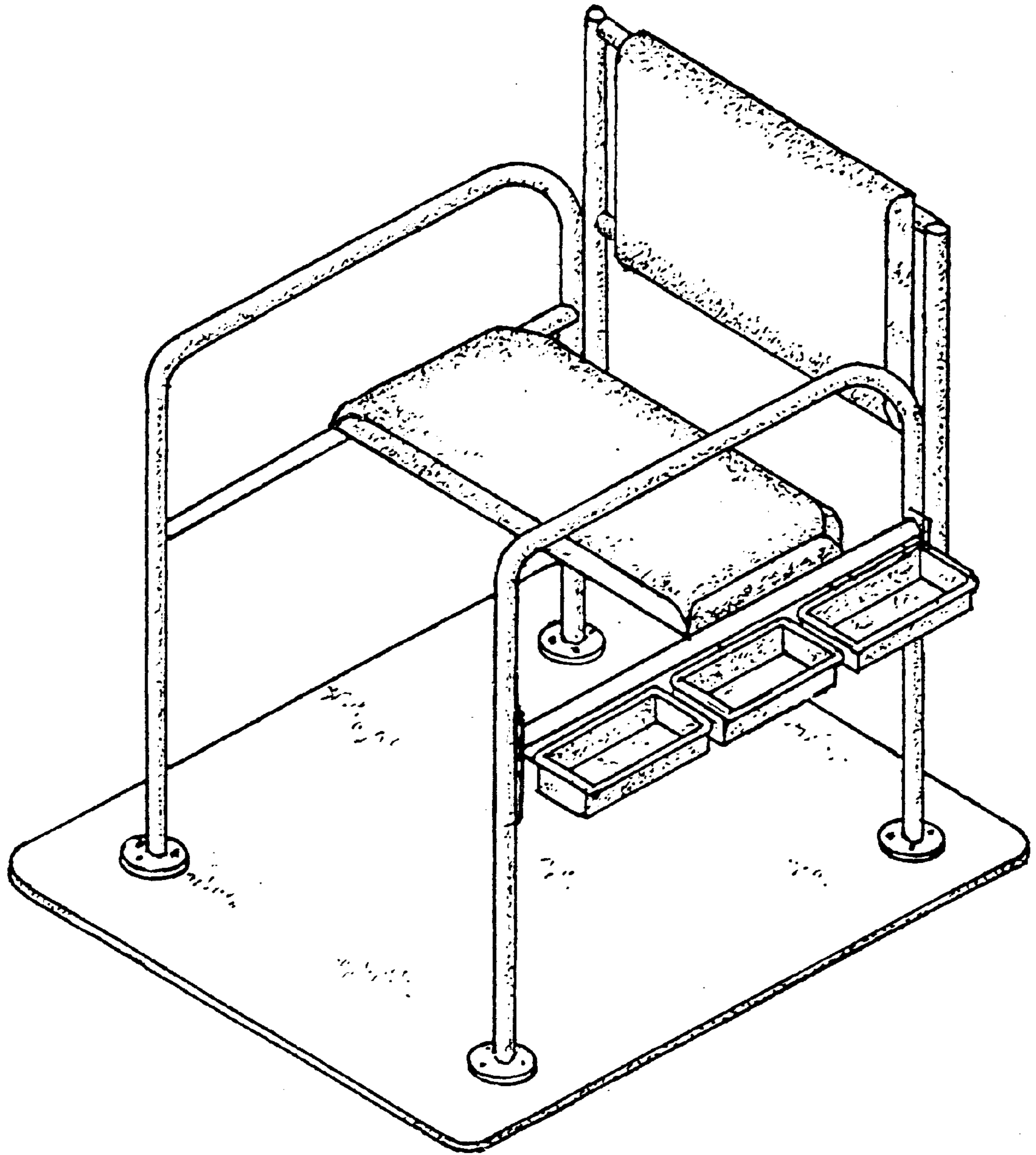


FIG. 7

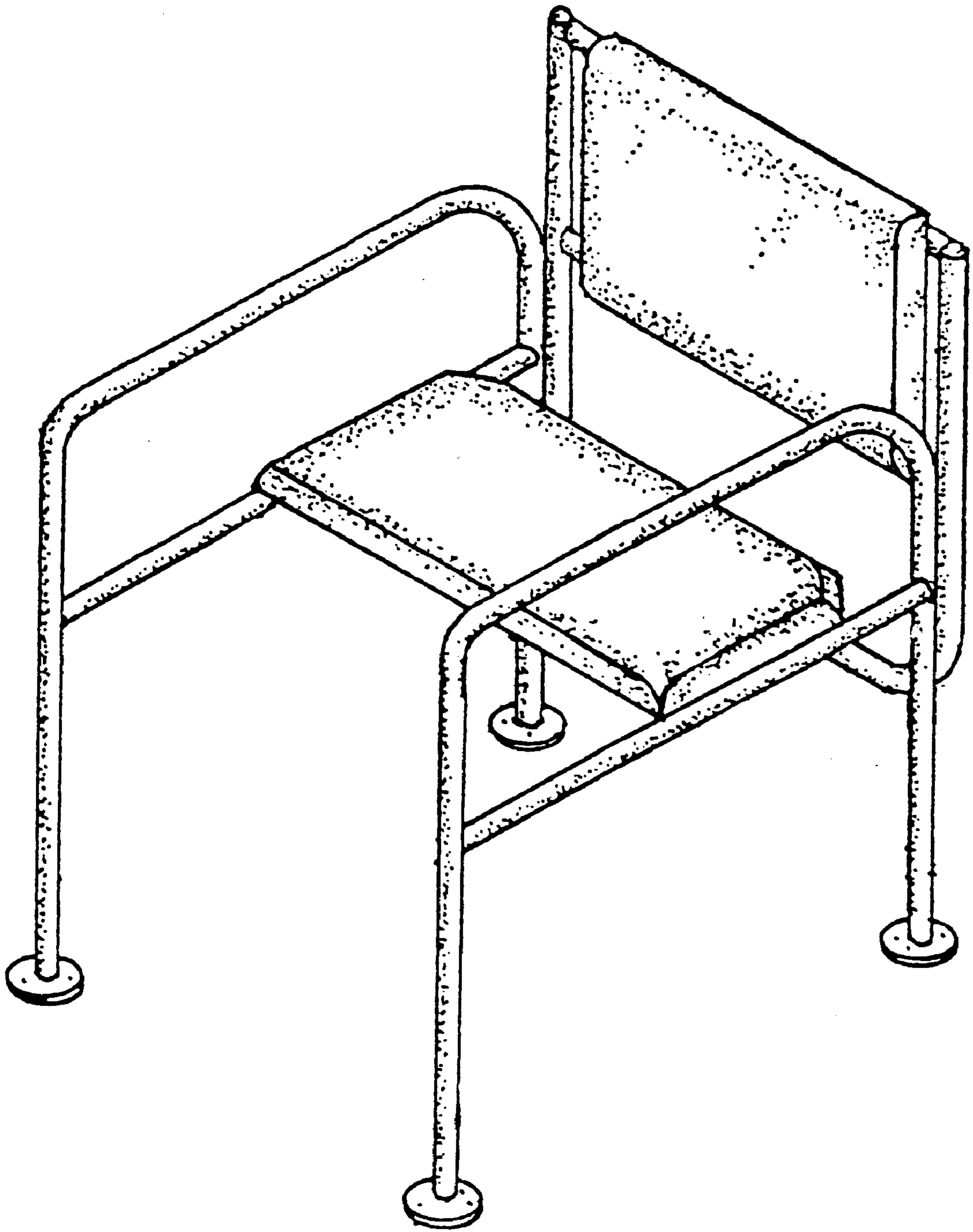


FIG. 8