



US00D452189B1

(12) **United States Design Patent**  
**Doran**

(10) **Patent No.:** **US D452,189 S**

(45) **Date of Patent:** **\*\* Dec. 18, 2001**

(54) **BODY FOR ELECTRICALLY POWERED VEHICLE**

D. 429,663 \* 8/2000 Tamashima et al. .... D12/107  
D. 440,188 \* 4/2001 Lin ..... D12/107

(76) Inventor: **Rick G. Doran**, 5672 Littler Dr.,  
Huntington Beach, CA (US) 92649

\* cited by examiner

*Primary Examiner*—Melody N. Brown  
(74) *Attorney, Agent, or Firm*—Roy A. Ekstrand

(\*\*) Term: **14 Years**

(57) **CLAIM**

(21) Appl. No.: **29/135,056**

The ornamental design for a body for electrically powered vehicle, as shown and described.

(22) Filed: **Jan. 4, 2001**

(51) **LOC (7) Cl.** ..... **12-08**

**DESCRIPTION**

(52) **U.S. Cl.** ..... **D12/86; D12/107**

FIG. 1 is a top plan view of a body for electrically powered vehicle showing my new design;  
FIG. 2 is a right side view thereof;  
FIG. 3 is a left side view thereof;  
FIG. 4 is a front view thereof;  
FIG. 5 is a rear view thereof; and,  
FIG. 6 is a bottom view thereof.

(58) **Field of Search** ..... D12/86, 107, 316,  
D12/14, 15; 296/185, 186; 180/233, 311,  
315, 225, 299

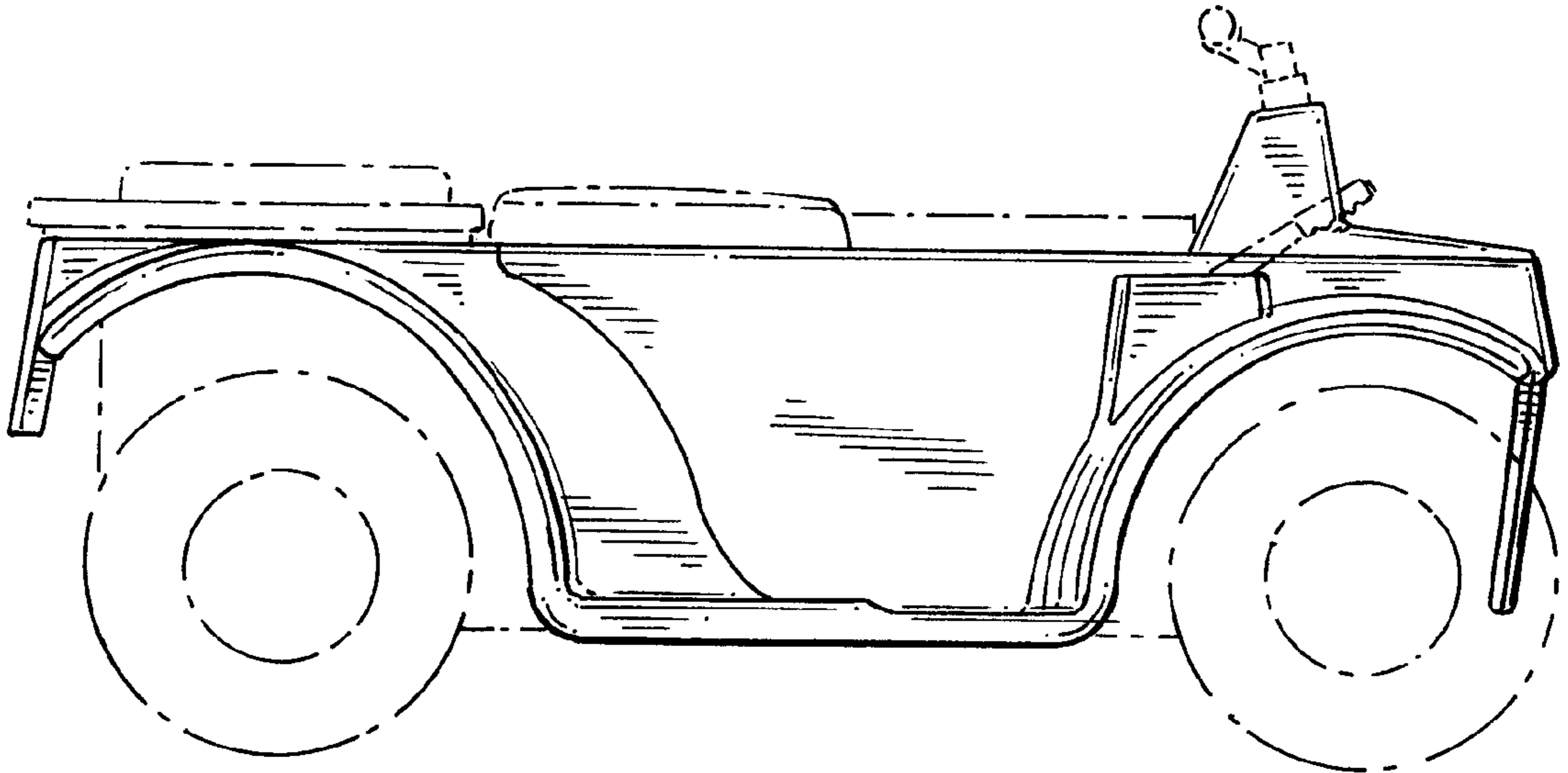
(56) **References Cited**

**U.S. PATENT DOCUMENTS**

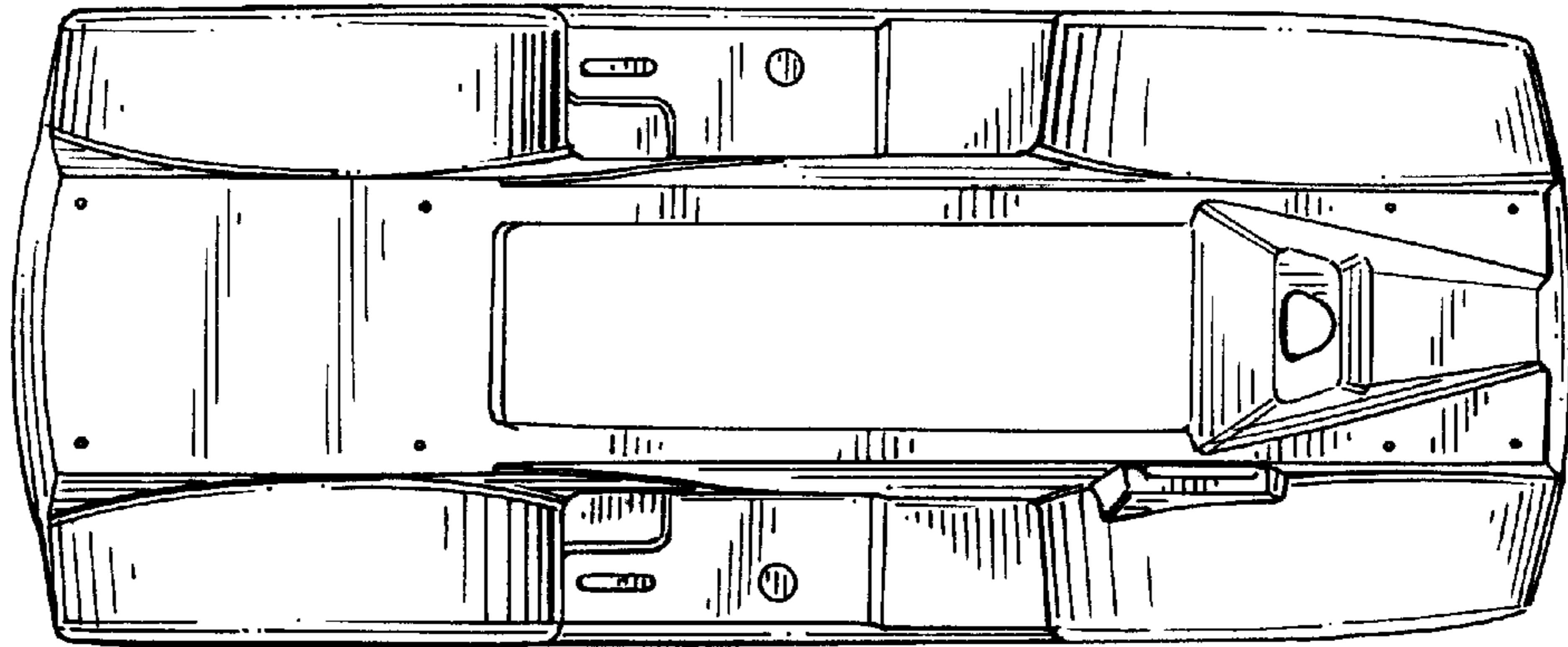
D. 312,227 \* 11/1990 Miyamoto et al. .... D12/14  
D. 424,982 \* 5/2000 Deutschman ..... D12/107  
D. 427,110 \* 6/2000 Saito et al. .... D12/107

The broken lines shown in FIG. 2 are for illustrative purposes only and form no part of the claimed design.

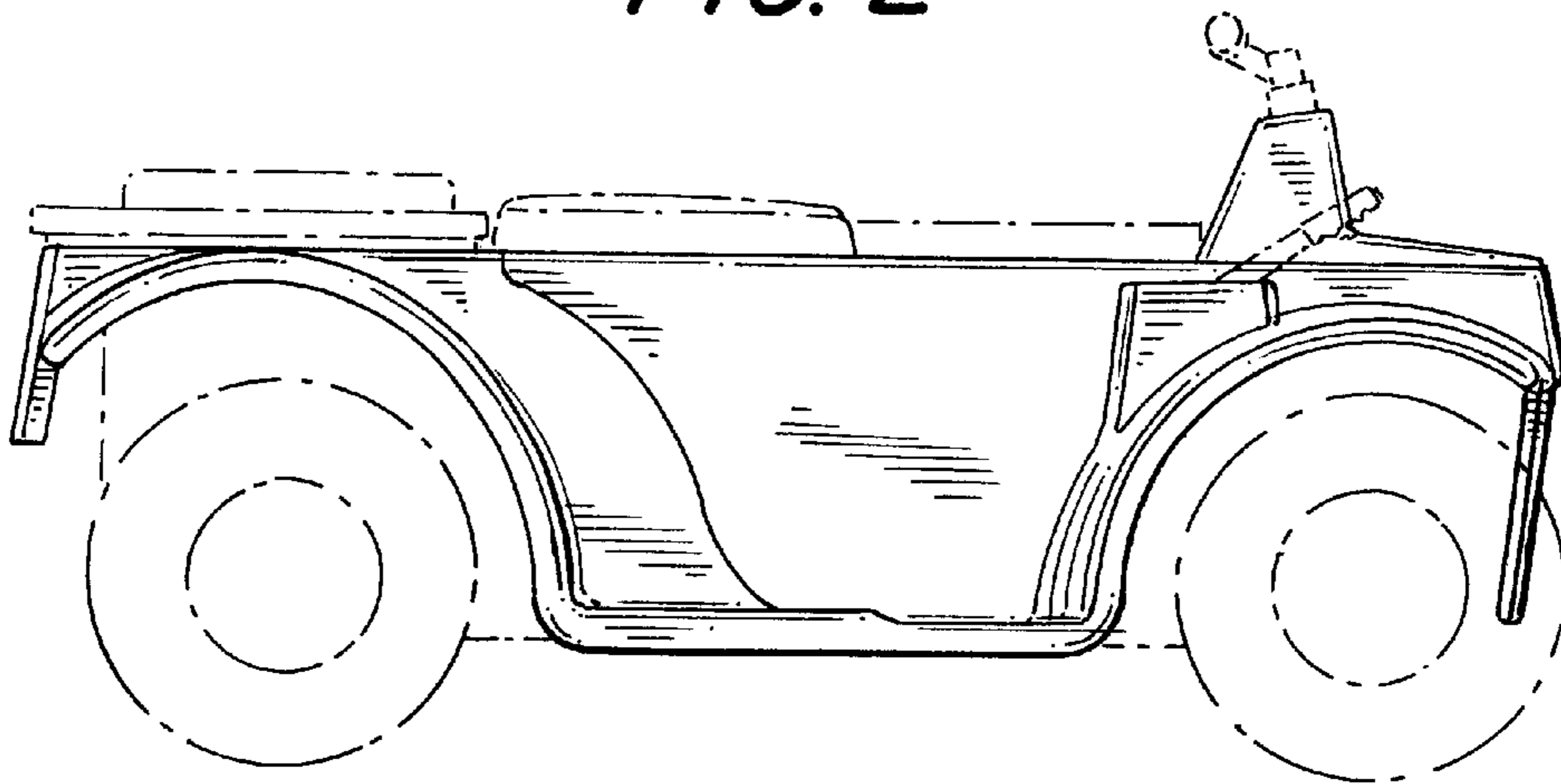
**1 Claim, 2 Drawing Sheets**



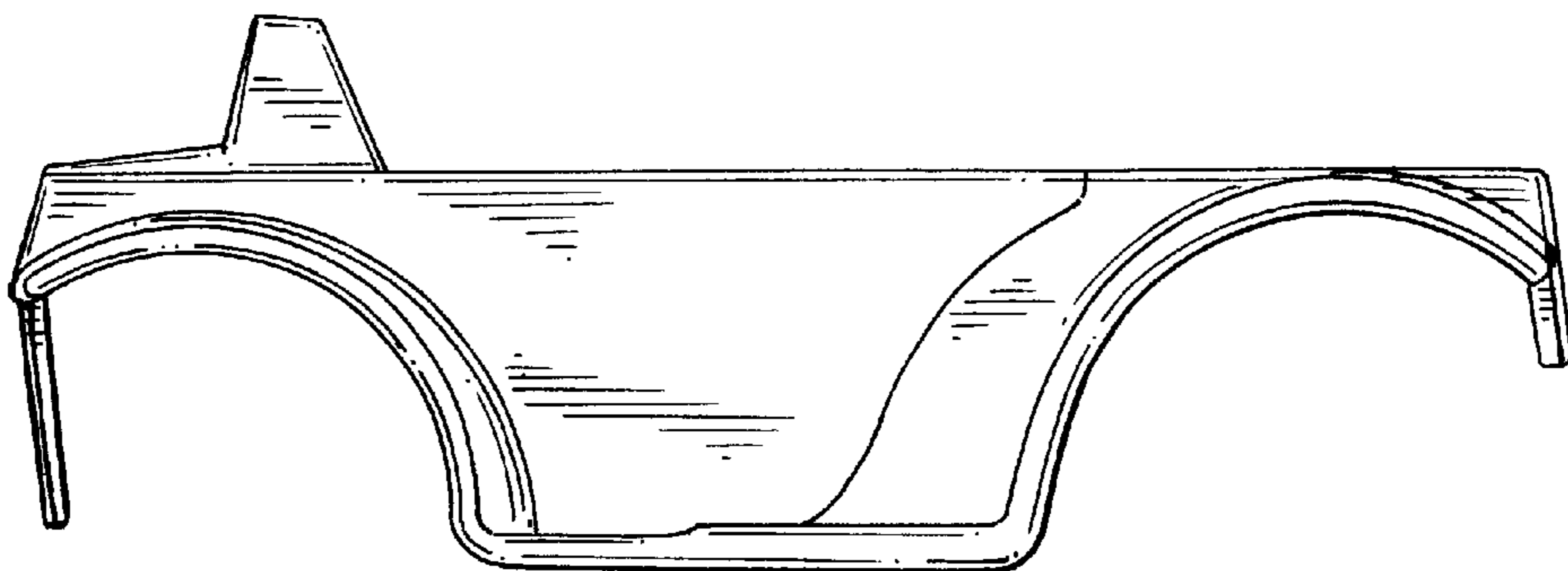
*FIG. 1*



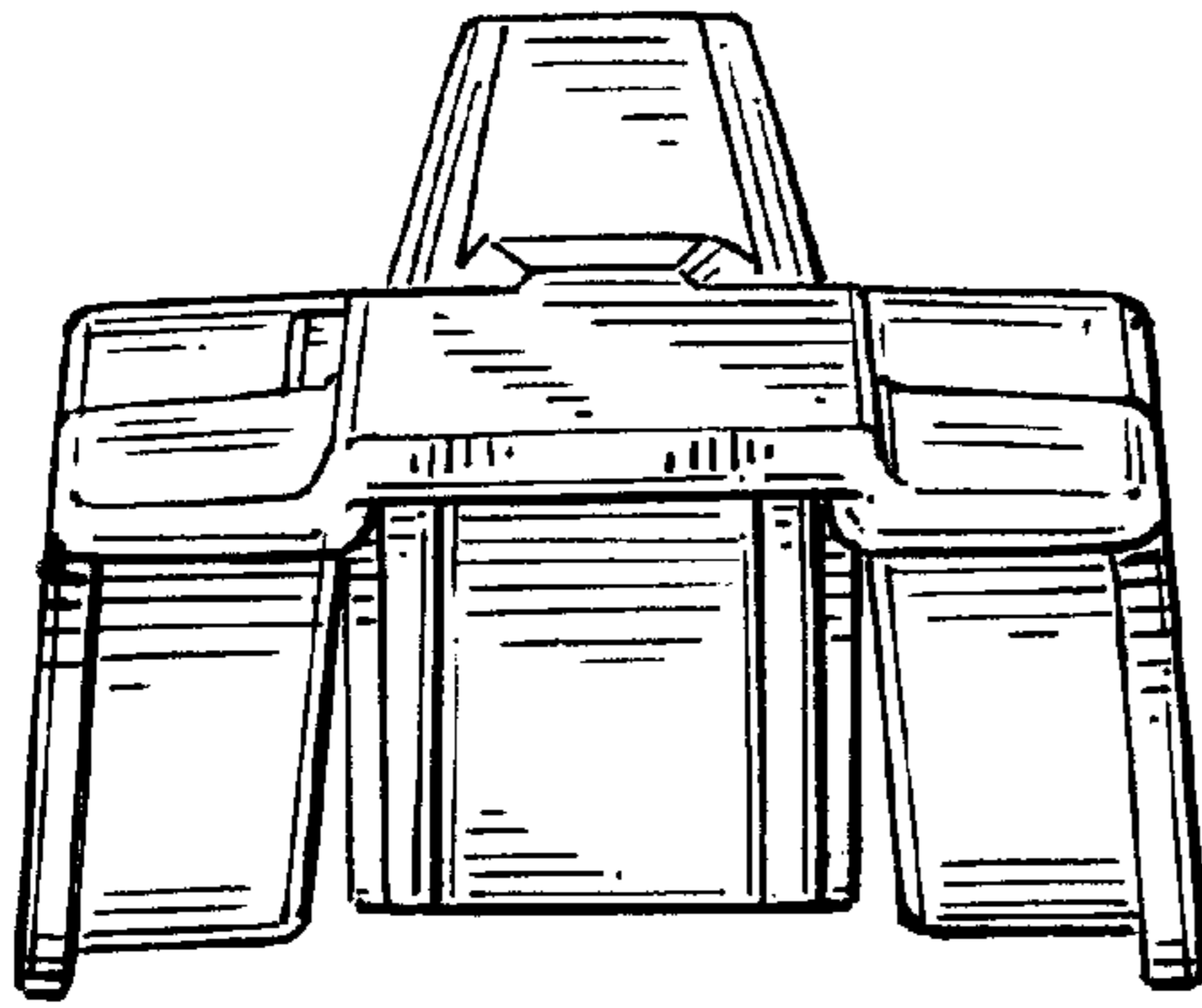
*FIG. 2*



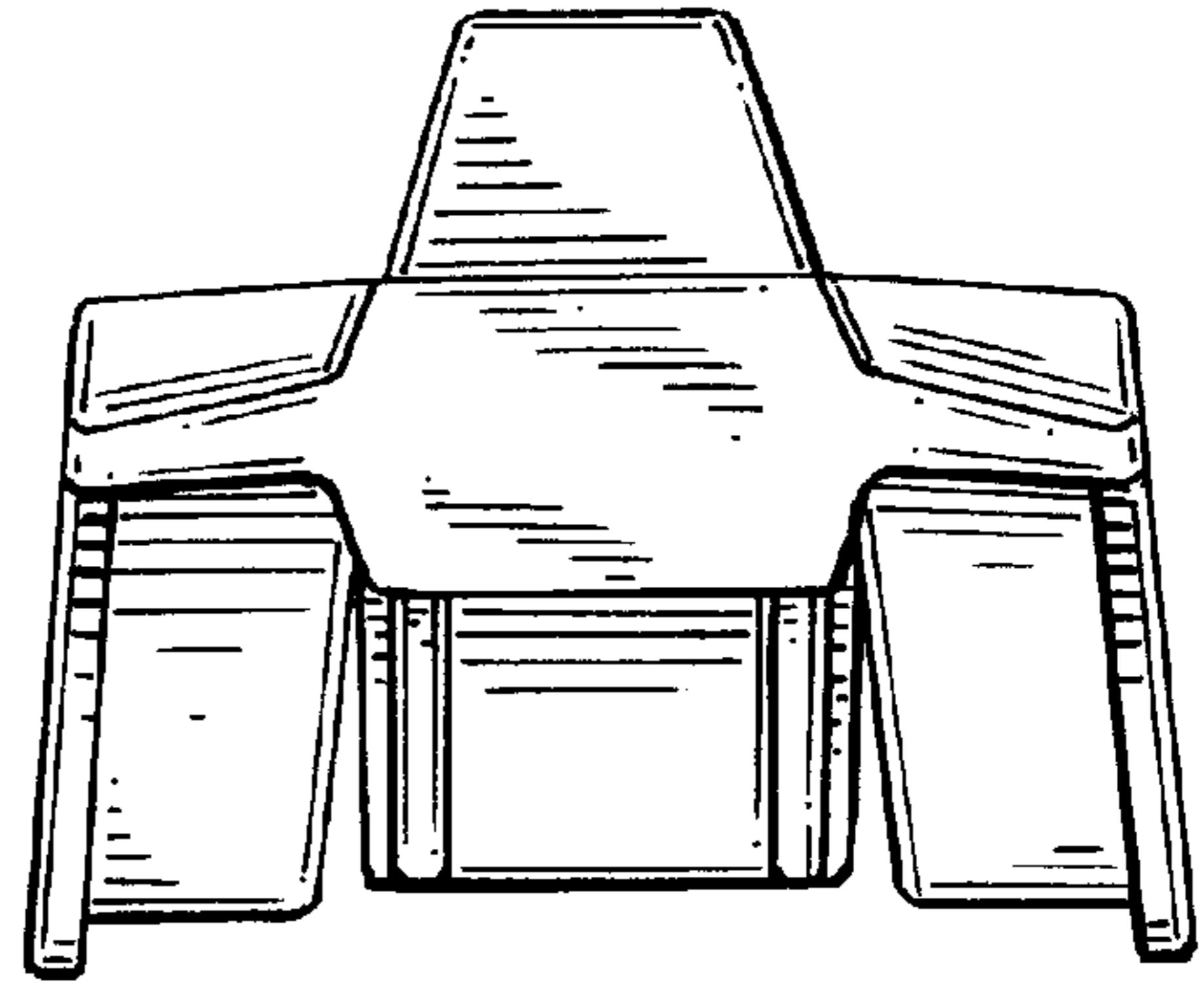
*FIG. 3*



*FIG. 4*



*FIG. 5*



*FIG. 6*

