



US00D452182B1

(12) **United States Design Patent**  
**Masuda et al.**

(10) **Patent No.:** **US D452,182 S**

(45) **Date of Patent:** **\*\* Dec. 18, 2001**

(54) **AUDIBLE SIGNAL FOR ALARMS**

D. 415,975 \* 11/1999 Imahori ..... D10/116  
D. 438,136 \* 2/2001 Asahina ..... D10/116

(75) Inventors: **Mitsuhiro Masuda; Yasunori Tsukuda; Yoshio Imahori**, all of Shizuoka (JP)

\* cited by examiner

(73) Assignee: **Star Micronics Co., Ltd.**, Shizuoka (JP)

*Primary Examiner*—Marcus A. Jackson  
(74) *Attorney, Agent, or Firm*—Sughrue, Mion, Zinn, Macpeak & Seas, PLLC

(\*\*) Term: **14 Years**

(57) **CLAIM**

(21) Appl. No.: **29/139,255**

The ornamental design for an audible signal for alarms, as shown.

(22) Filed: **Mar. 28, 2001**

(30) **Foreign Application Priority Data**

**DESCRIPTION**

Sep. 29, 2000 (JP) ..... 12-027527

(51) **LOC (7) Cl.** ..... **10-05**

(52) **U.S. Cl.** ..... **D10/116**

(58) **Field of Search** ..... D10/104, 106, D10/116, 121; D13/152, 156; 340/384.1, 384.3, 384.7, 388.1, 390.1, 391.1, 392.2, 392.4

FIG. 1 is a perspective view of the rear of an audible signal for alarms showing our new design;

FIG. 2 is a front elevational view thereof;

FIG. 3 is a top plan view thereof;

FIG. 4 is a left side elevational view thereof;

FIG. 5 is a right side elevational view thereof;

FIG. 6 is a rear elevational view thereof; and,

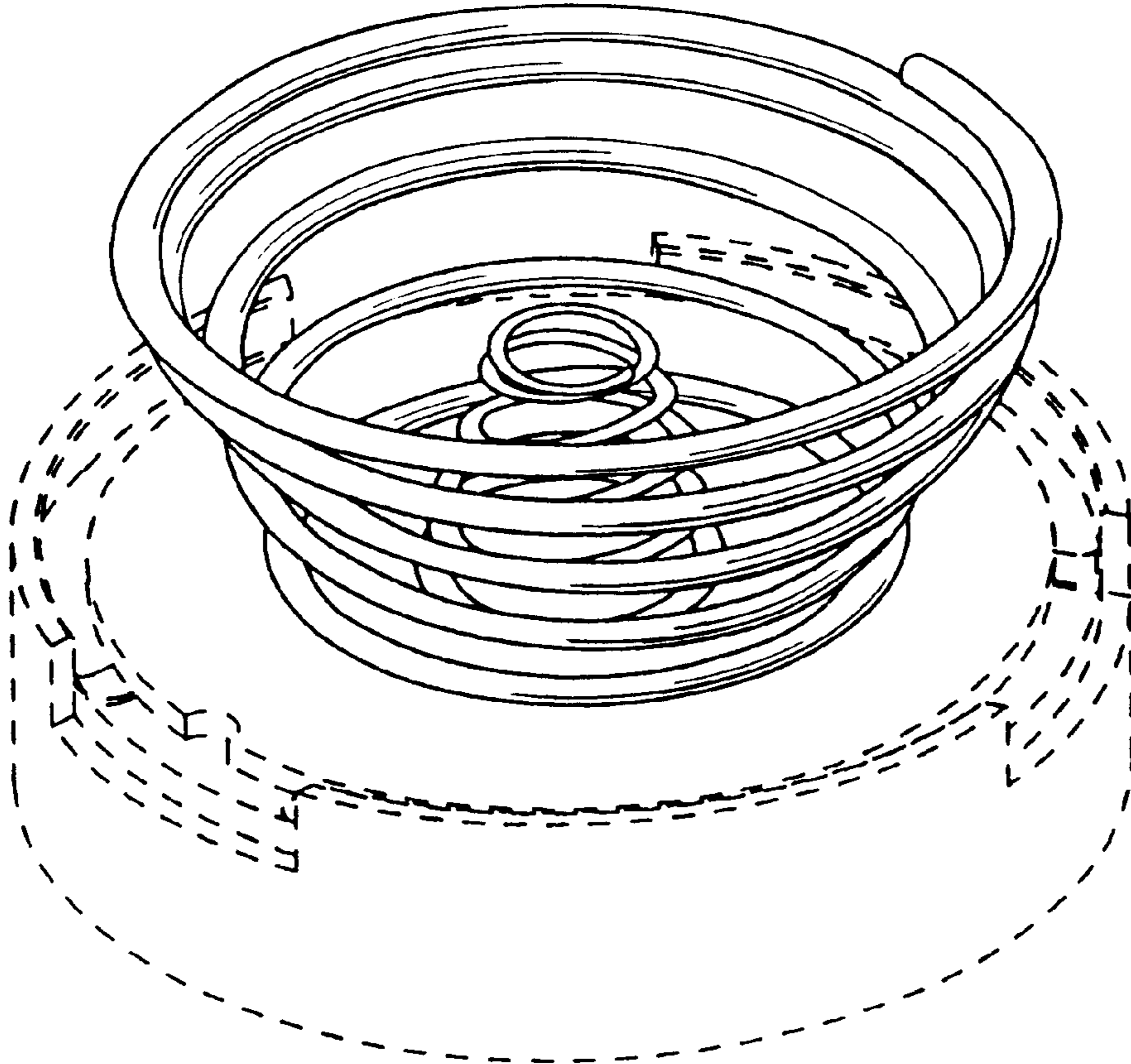
FIG. 7 is a bottom plan view thereof.

(56) **References Cited**

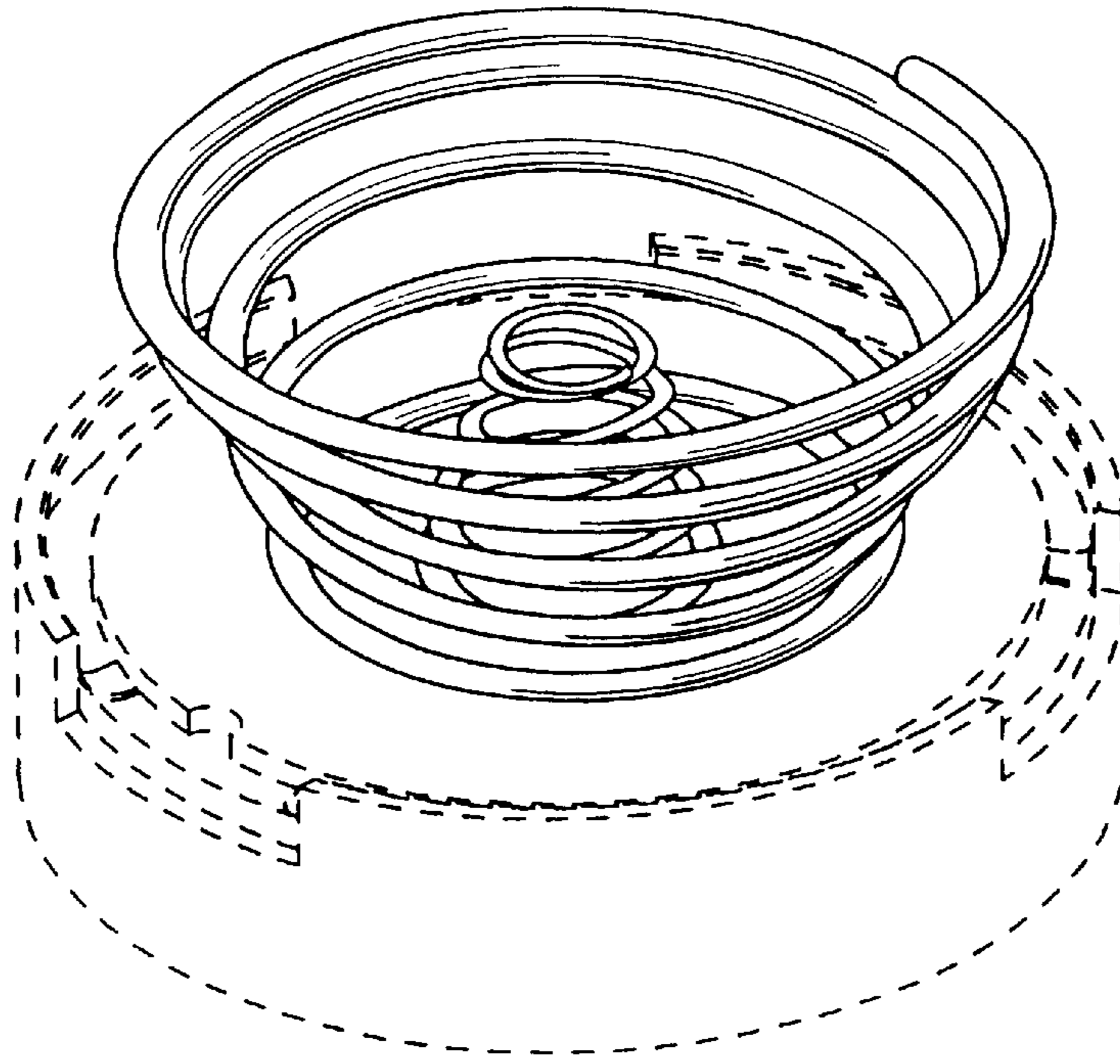
**U.S. PATENT DOCUMENTS**

D. 411,127 \* 6/1999 Kuwabara ..... D10/116

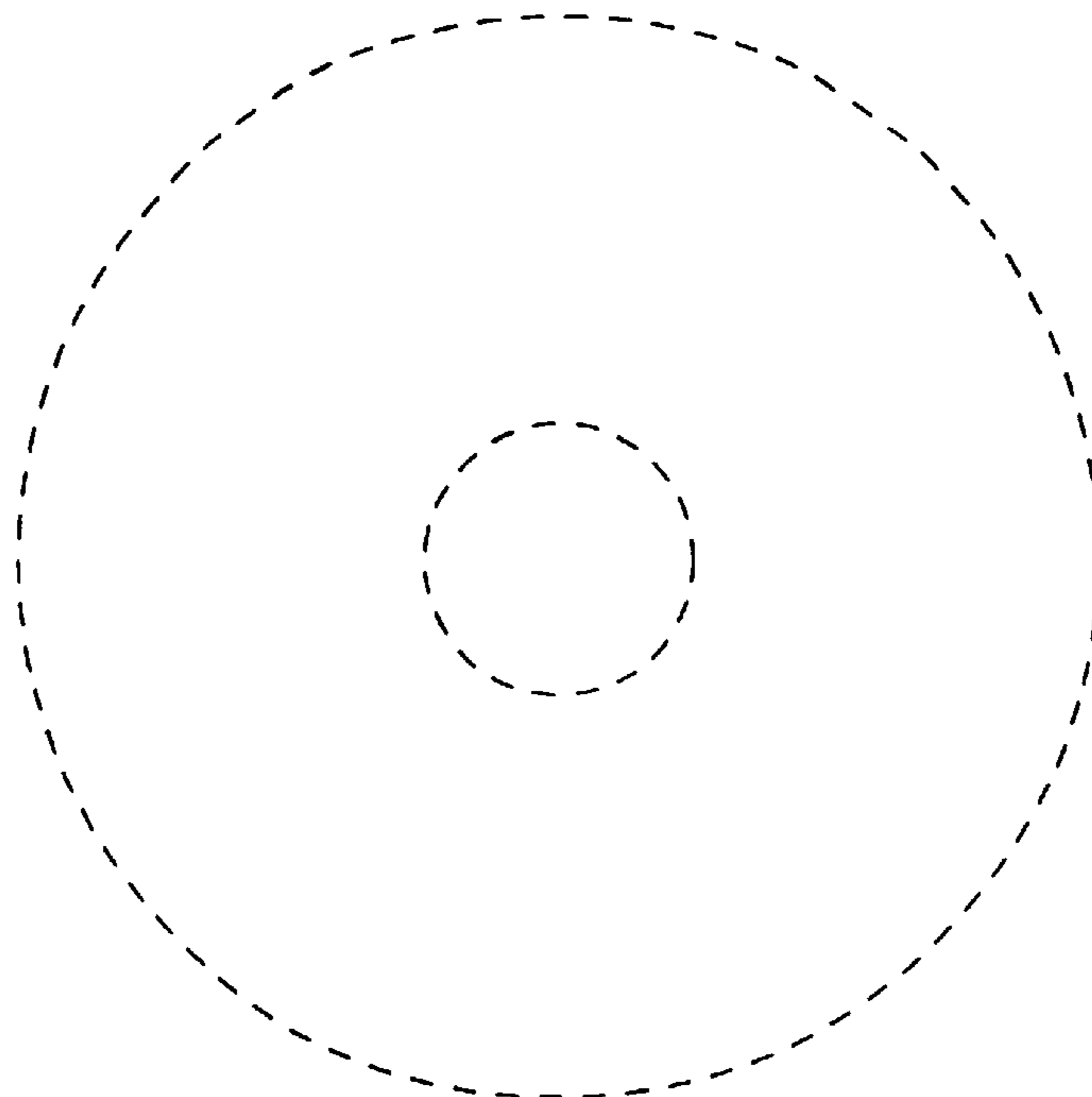
**1 Claim, 3 Drawing Sheets**



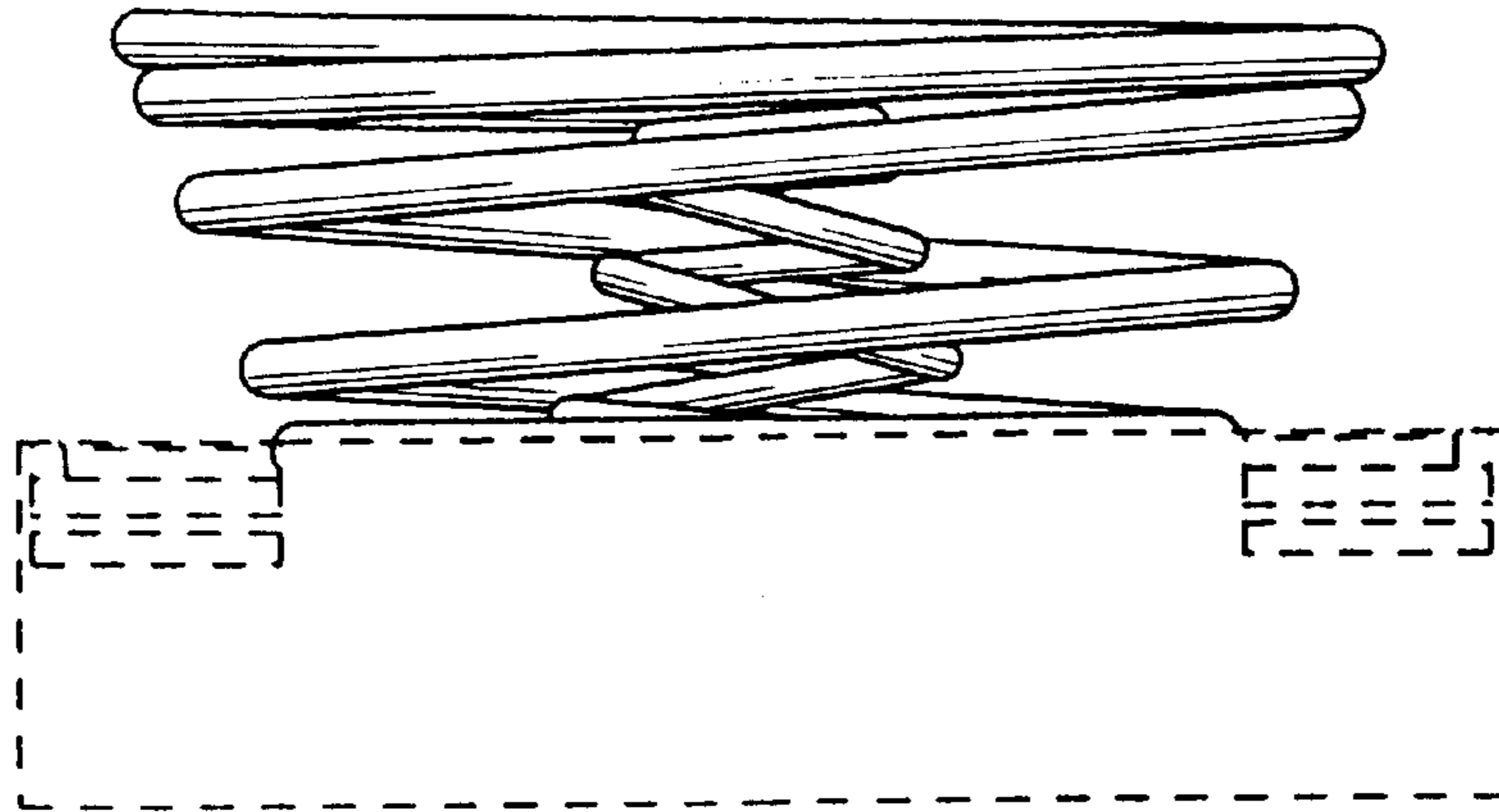
**FIG. 1**



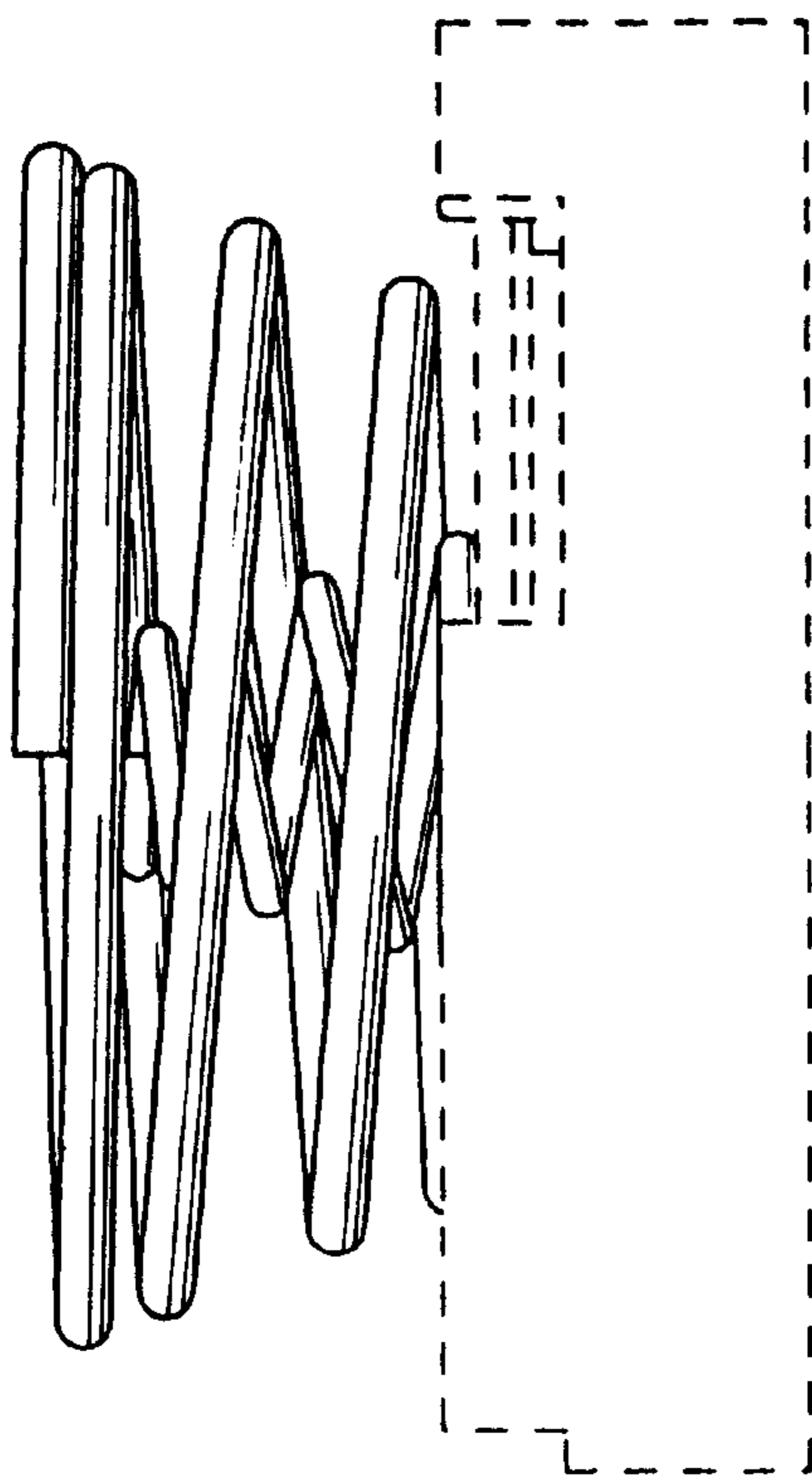
**FIG. 2**



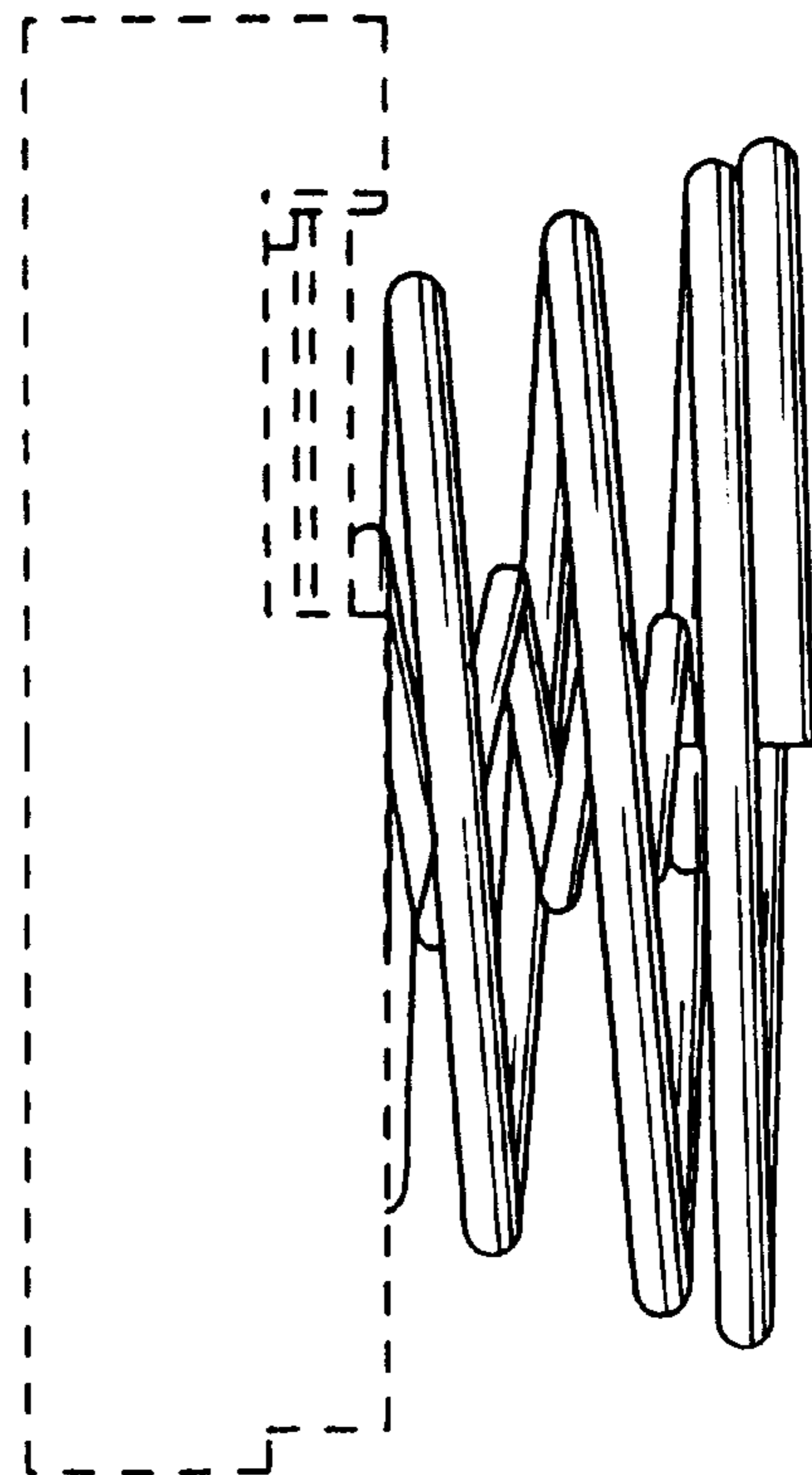
**FIG. 3**



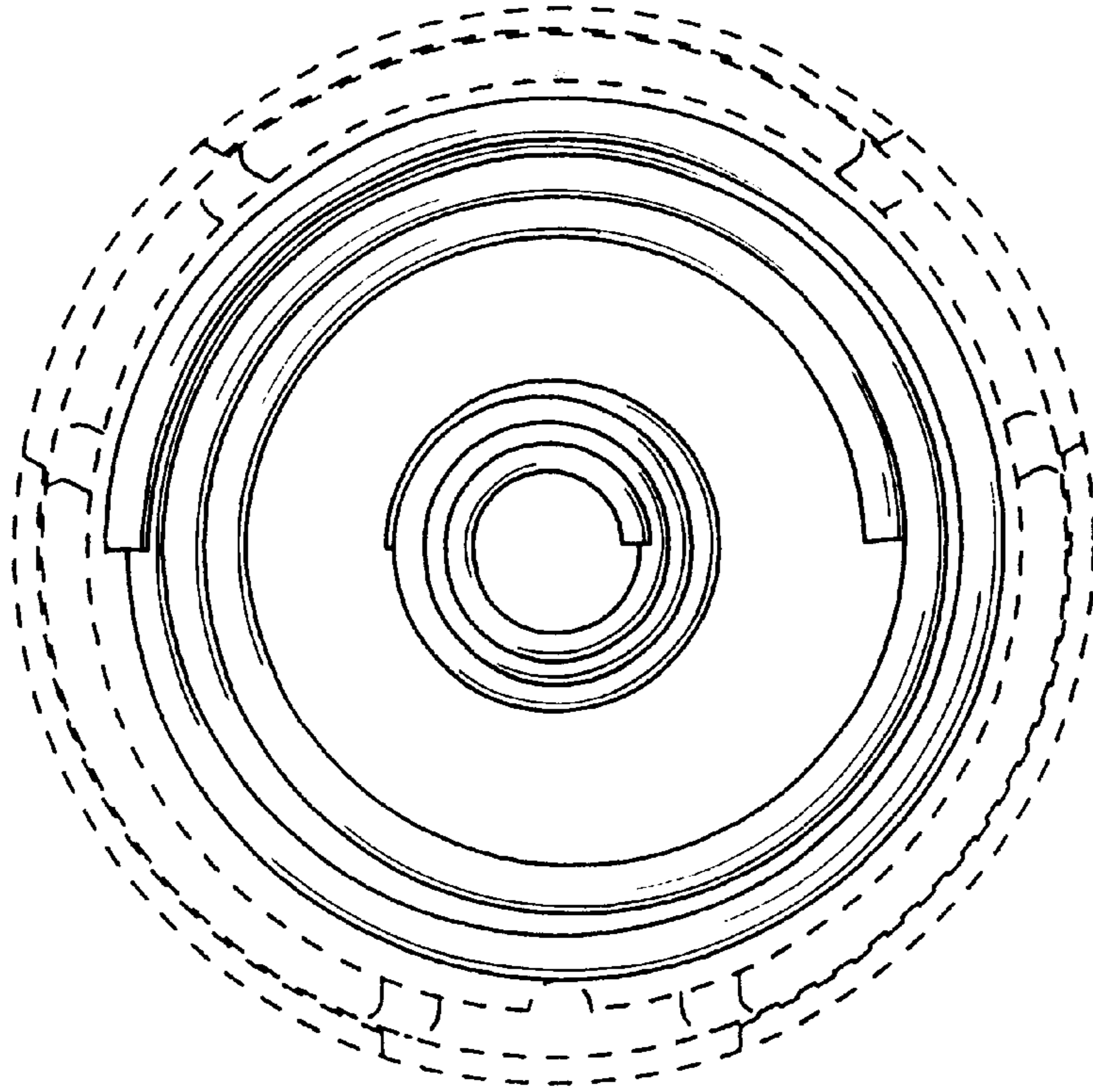
**FIG. 4**



**FIG. 5**



*FIG. 6*



*FIG. 7*

