



US00D452179B1

(12) **United States Design Patent**
King et al.

(10) **Patent No.: US D452,179 S**

(45) **Date of Patent: ** Dec. 18, 2001**

(54) **ATTACHMENT STRUCTURE FOR AN ACCELEROMETER**

DESCRIPTION

(75) Inventors: **Steven L. King**, Beaverton; **Edward Boyd**, Tigard, both of OR (US)

(73) Assignee: **Nike, Inc.**, Beaverton, OR (US)

(**) Term: **14 Years**

(21) Appl. No.: **29/131,279**

(22) Filed: **Oct. 13, 2000**

(51) **LOC (7) Cl.** **10-04**

(52) **U.S. Cl.** **D10/80; D3/218**

(58) **Field of Search** D10/46, 80; D3/218, D3/228; 224/227, 242, 252, 253, 904; 248/455

(56) **References Cited**

U.S. PATENT DOCUMENTS

D. 377,117	*	1/1997	Klassen	D3/218
D. 435,722	*	1/2001	Pepping	D3/218
6,176,401	*	1/2001	Lim	224/196

* cited by examiner

Primary Examiner—Antoine Duval Davis
(74) *Attorney, Agent, or Firm*—TraskBritt

(57) **CLAIM**

The ornamental design for an attachment structure for an accelerometer, as shown and described.

FIG. 1 is a perspective view of an attachment structure showing my new design; the attachment structure is shown in a closed condition in association with an accelerometer, the accelerometer shown in phantom lines forms no part of the claimed design.

FIG. 2 is a side view of the attachment structure shown in FIG. 1;

FIG. 3 is another side view of the attachment structure in FIG. 1;

FIG. 4 is a front view of the attachment structure shown in FIG. 1;

FIG. 5 is a rear view of the attachment structure shown in FIG. 1;

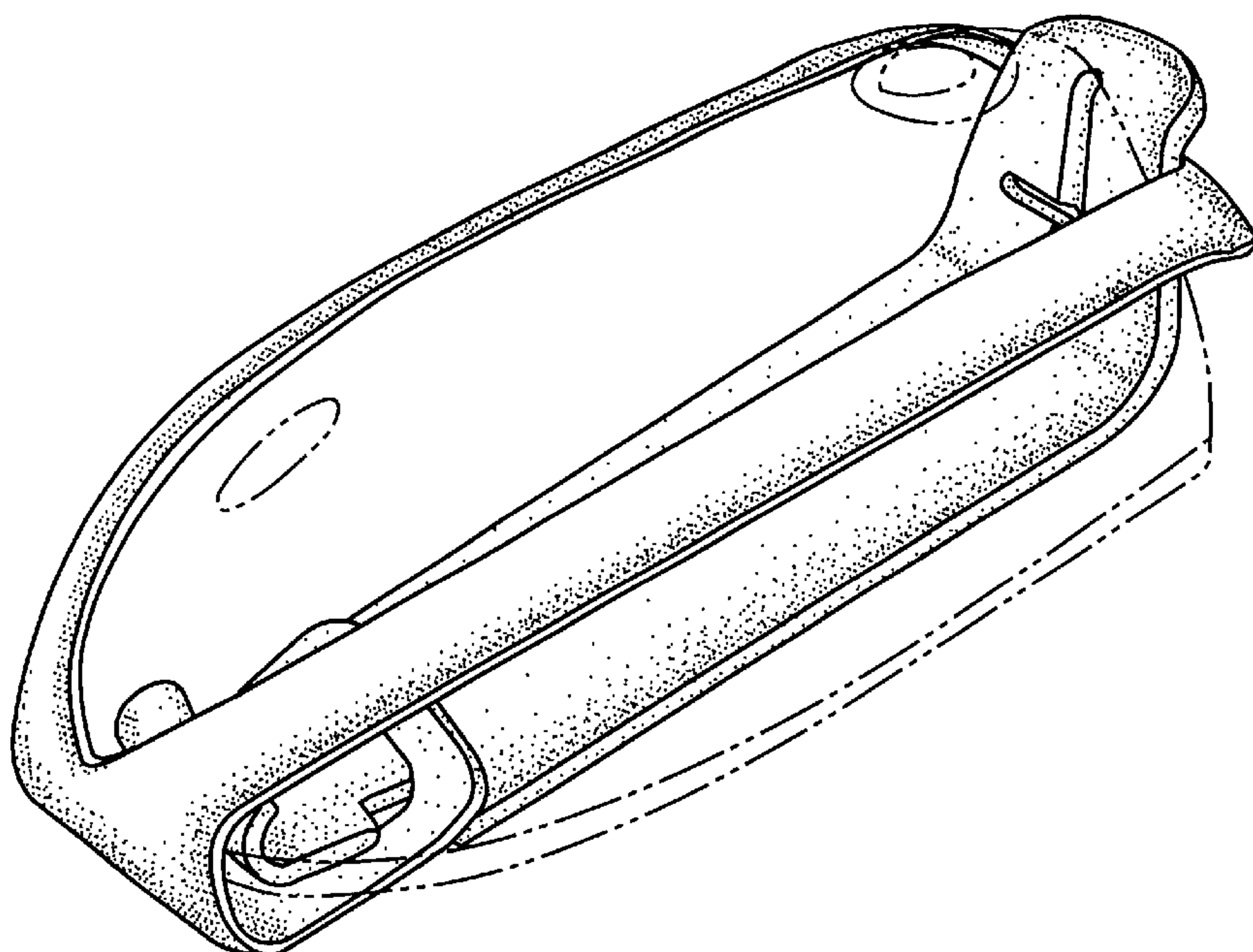
FIG. 6 is a top plan view of the attachment structure shown in FIG. 1;

FIG. 7 is a bottom plan view of the attachment structure shown in FIG. 1; and,

FIG. 8 is a perspective view of the attachment structure of FIG. 1. shown in an open condition.

The phantom lines showing portions of an attachment structure in FIGS. 1–8 are for illustrative purposes only and form no part of the claimed design.

1 Claim, 3 Drawing Sheets



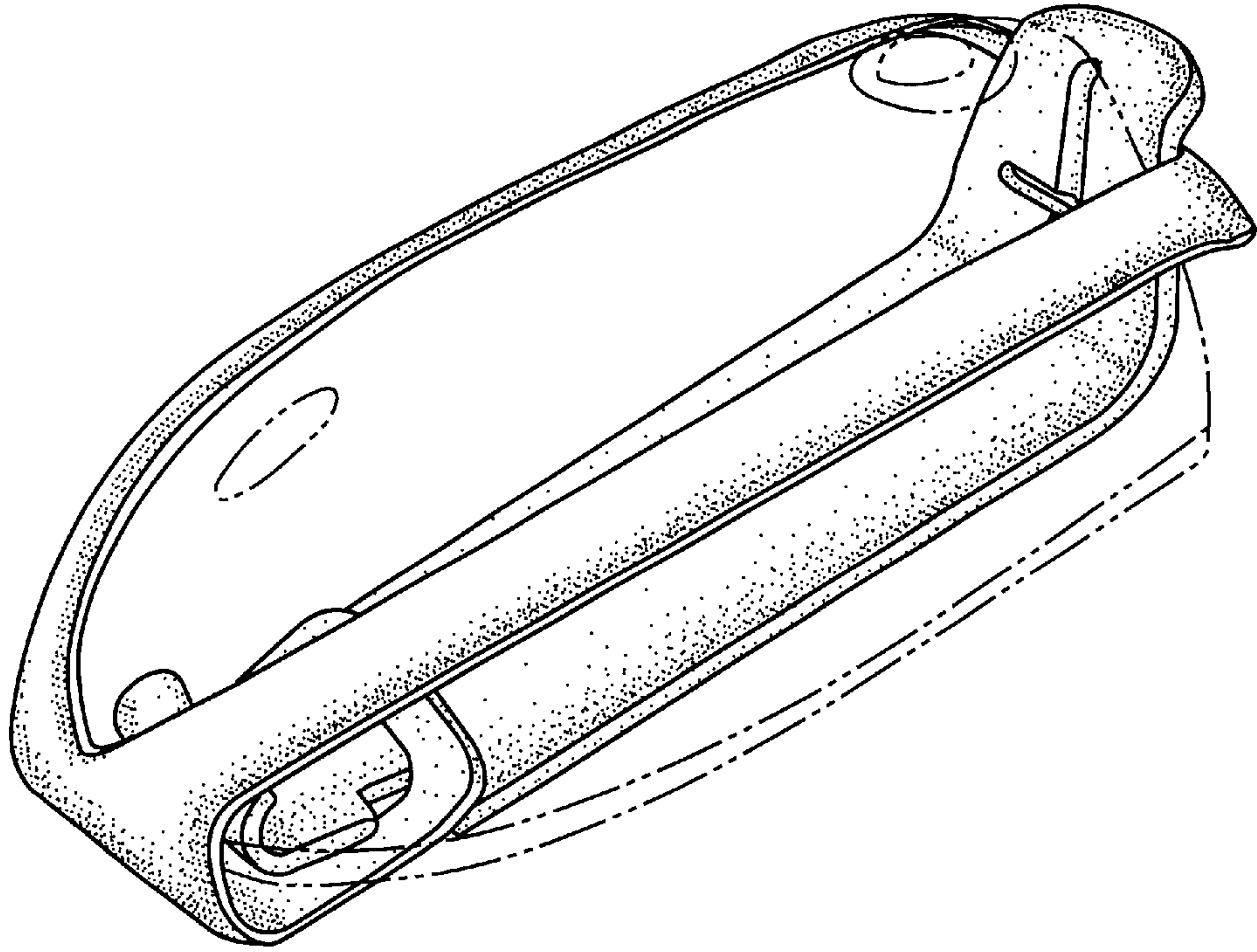


Fig. 1

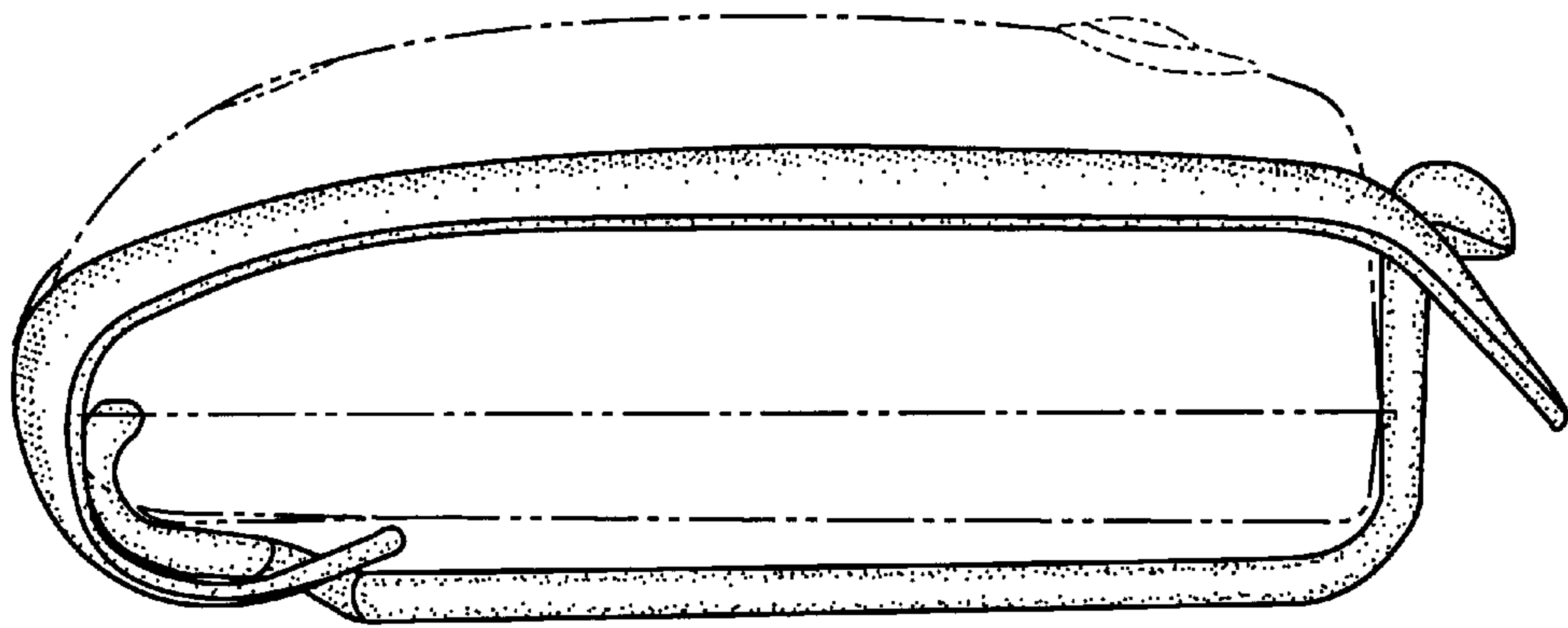


Fig. 2

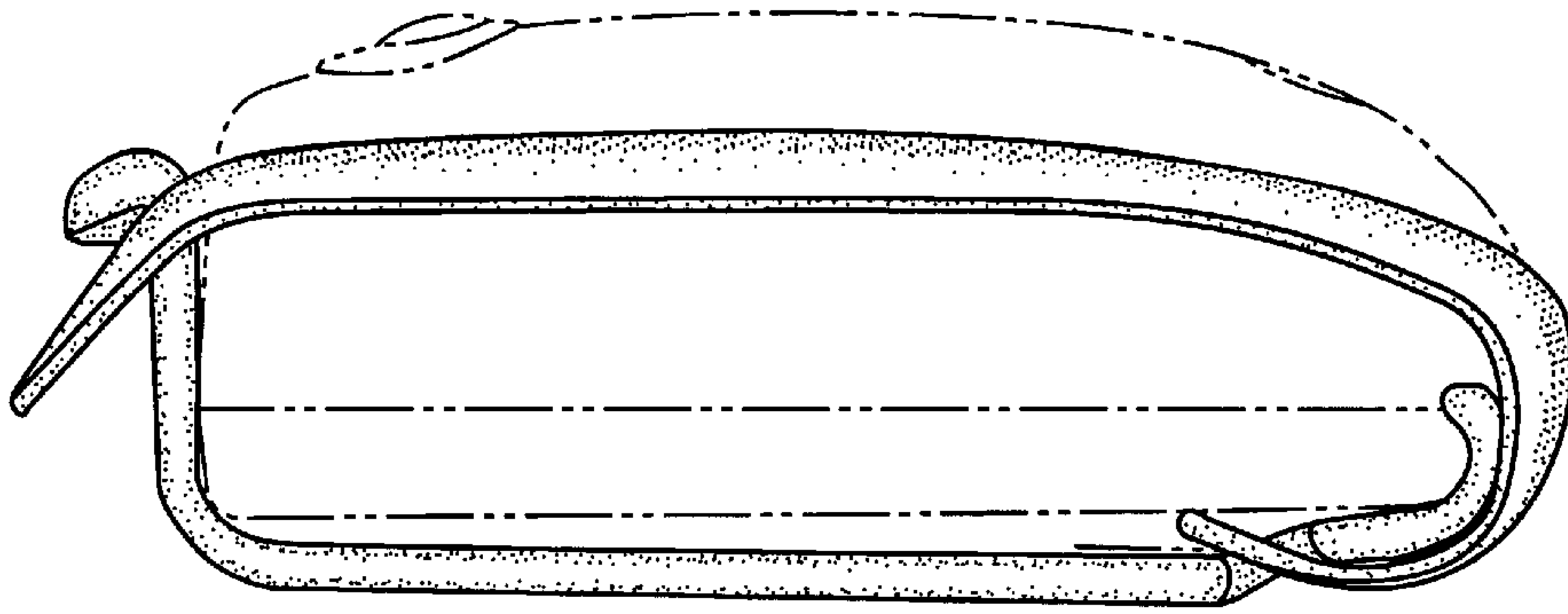


Fig. 3

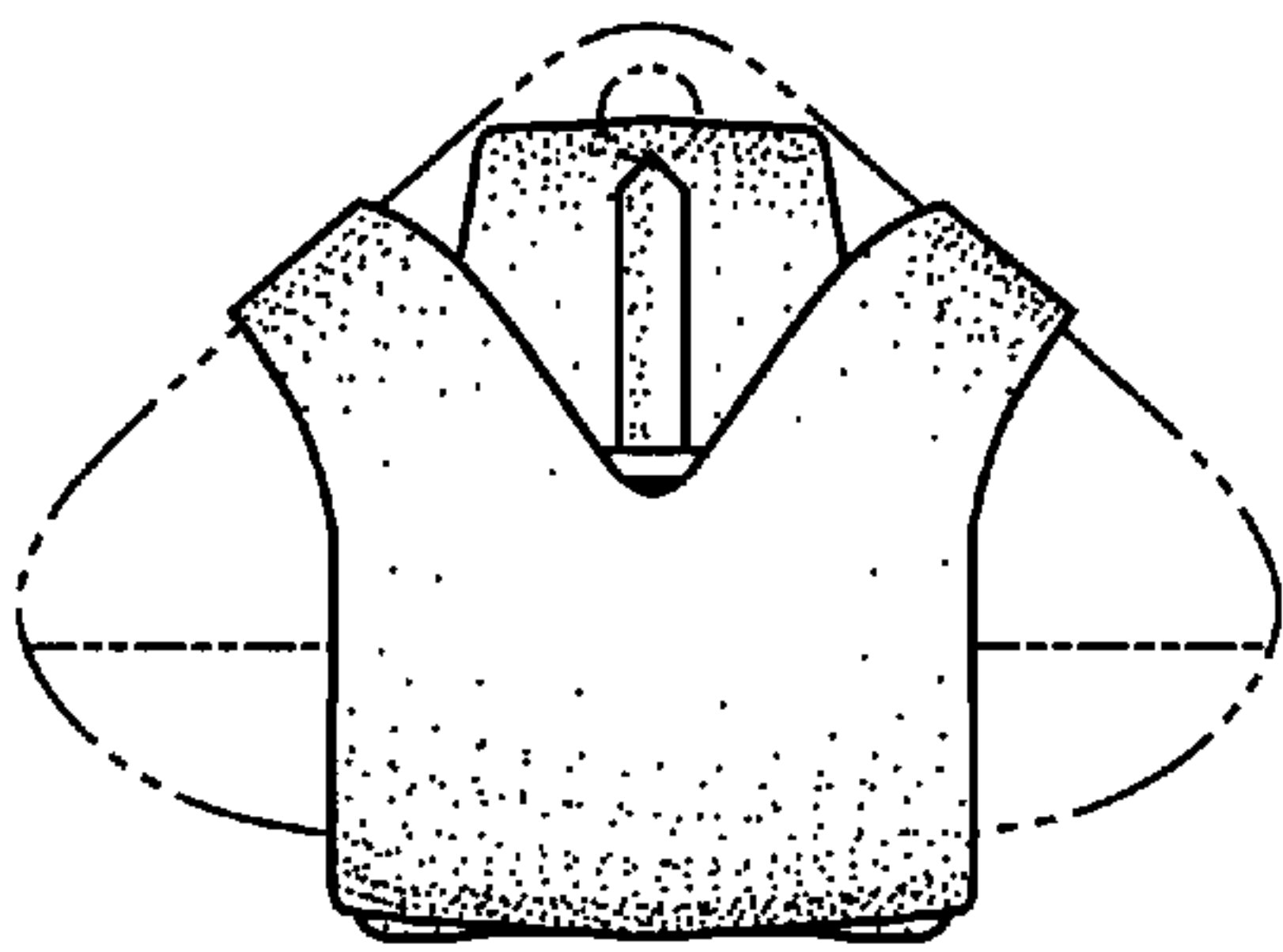


Fig. 4

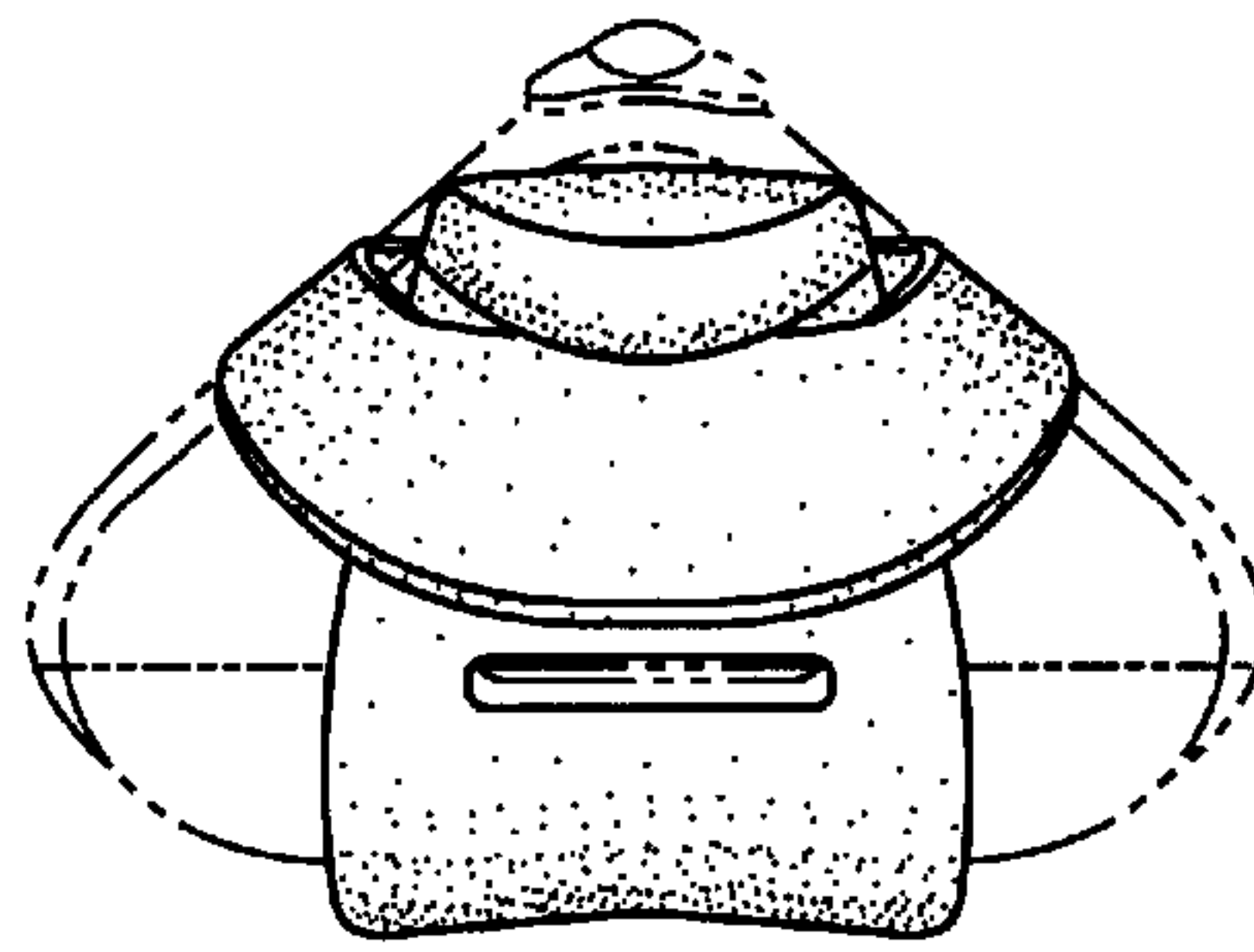


Fig. 5

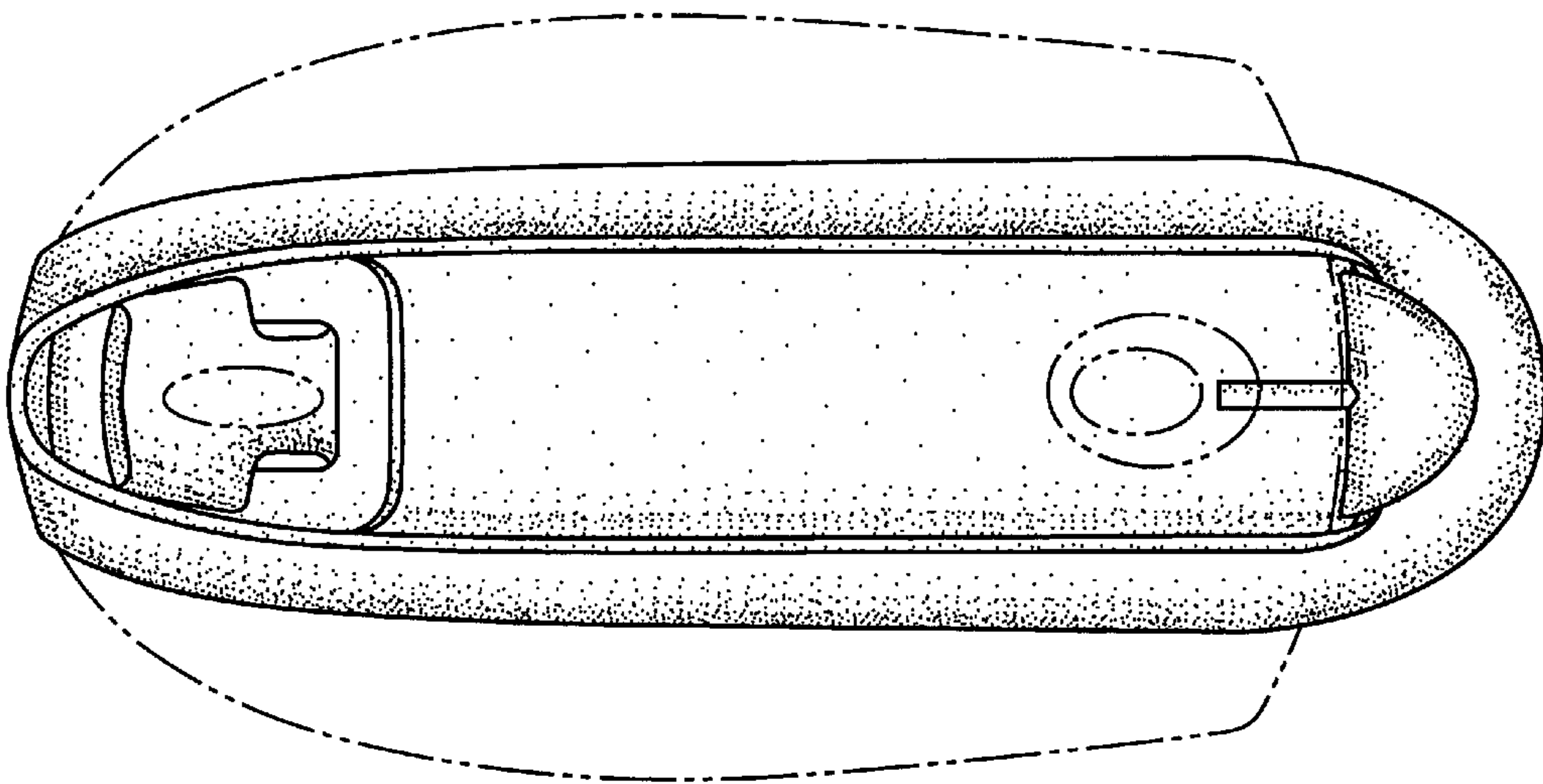


Fig. 6

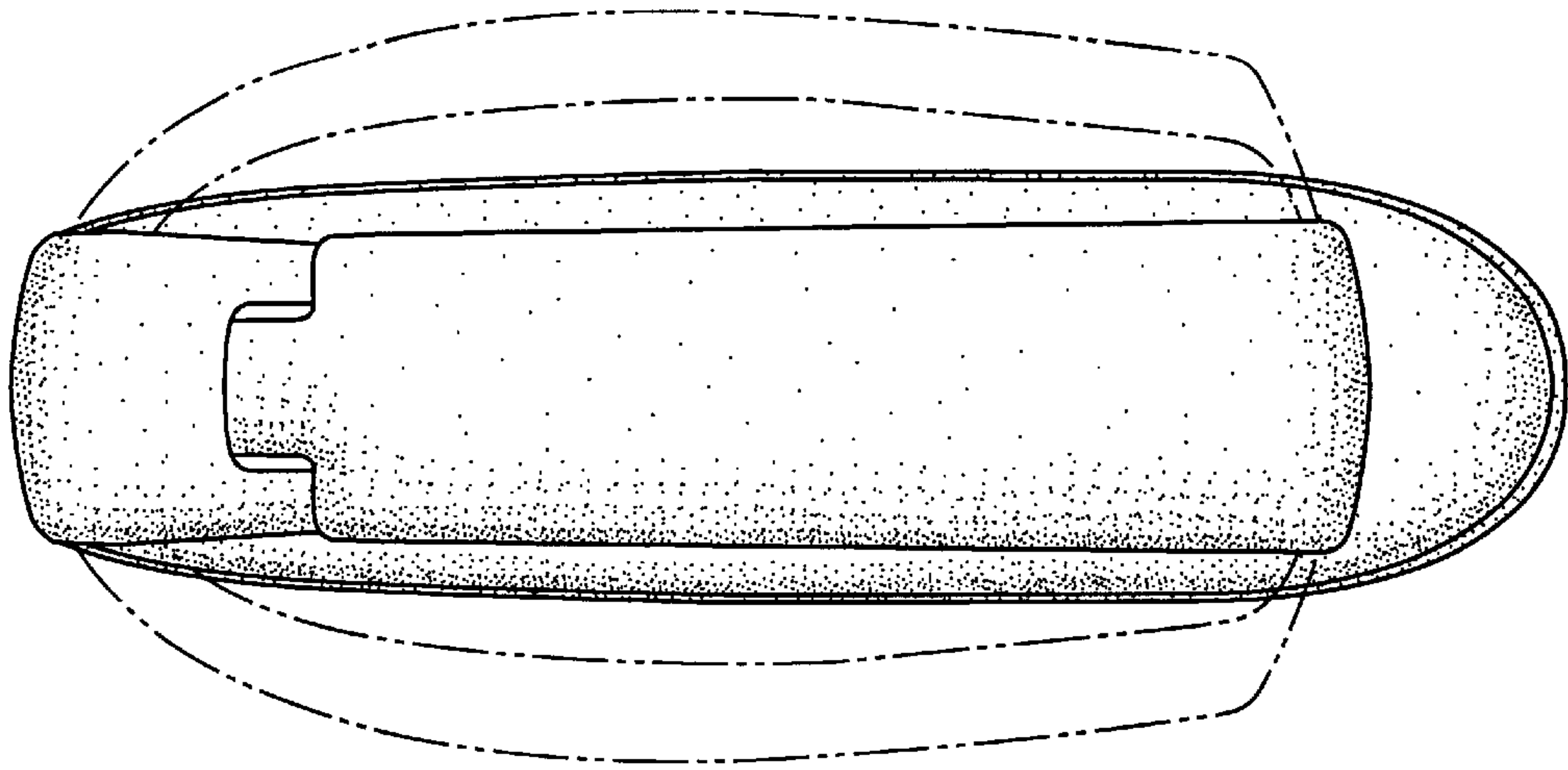


Fig. 7

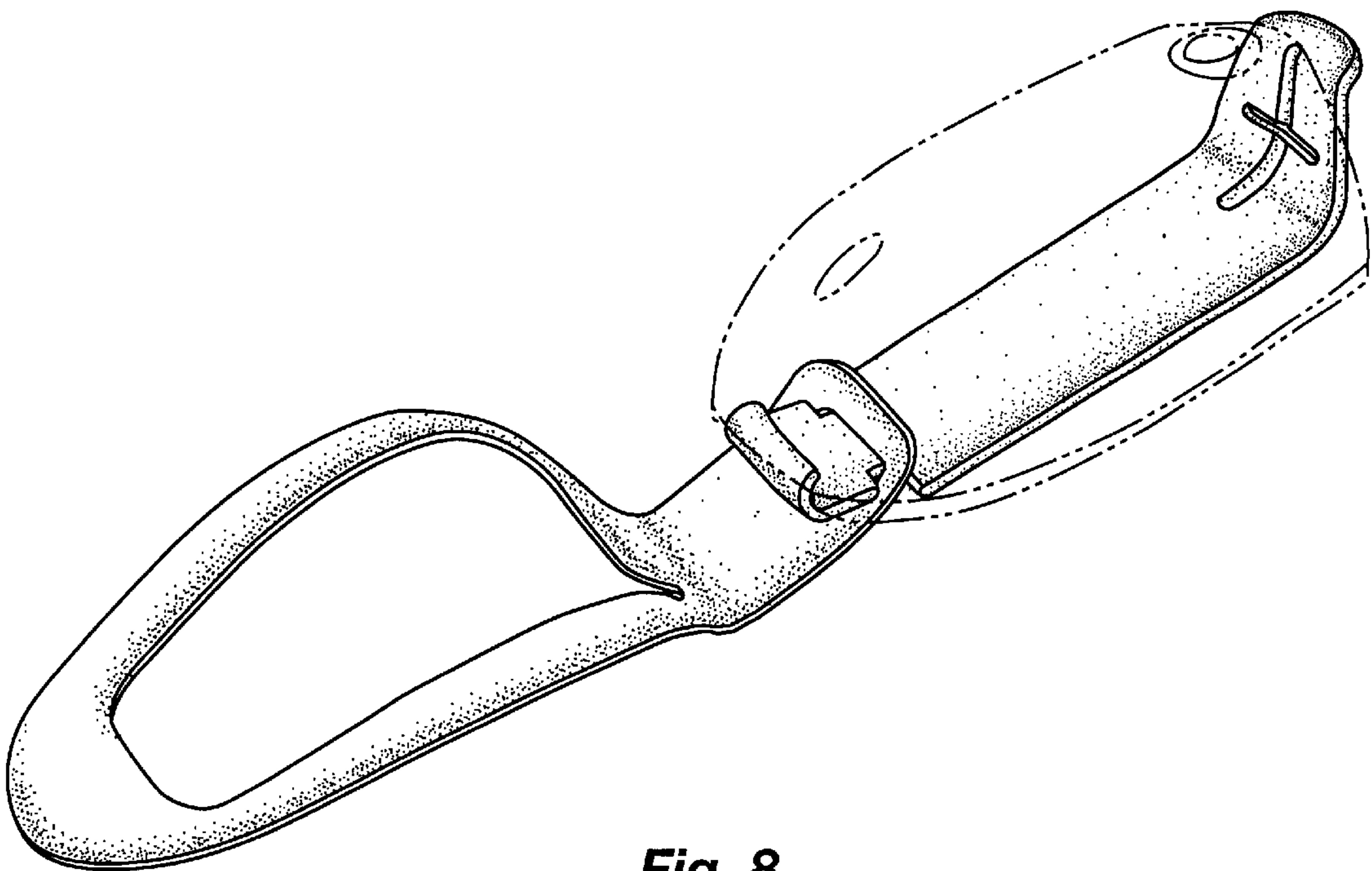


Fig. 8