



US00D452177B1

(12) **United States Design Patent**  
**McGuyer**

(10) **Patent No.:** **US D452,177 S**

(45) **Date of Patent:** **\*\* Dec. 18, 2001**

(54) **ADJUSTABLE MEASURING SPOON**

(75) **Inventor:** **Carter W. McGuyer**, Muscle Shoals,  
AL (US)

(73) **Assignee:** **Robbins Industries, Inc.**, Florence, AL  
(US)

(\*\*) **Term:** **14 Years**

(21) **Appl. No.:** **29/132,173**

(22) **Filed:** **Nov. 3, 2000**

(51) **LOC (7) Cl.** ..... **10-04**

(52) **U.S. Cl.** ..... **D10/46.3**

(58) **Field of Search** ..... D10/46.2, 46.3;  
D7/645, 653-664, 691, 692; 30/324-328;  
73/426-429

(56) **References Cited**

**U.S. PATENT DOCUMENTS**

D. 253,869	1/1980	Wells .	
D. 328,867	8/1992	Watt et al. .	
D. 368,864	4/1996	Weterrings .	
D. 371,976	7/1996	Tucker .	
D. 374,181	10/1996	Weterrings .	
D. 403,256	12/1998	Weterrings .	
D. 417,629	12/1999	Weterrings .	
2,882,732 *	4/1959	Cercone .....	73/429
5,182,948	2/1993	Robbins et al. .	
5,678,450	10/1997	Robbins et al. .	

\* cited by examiner

*Primary Examiner*—Terry A. Wallace

(74) *Attorney, Agent, or Firm*—Kramer Levin Naftalis &  
Frankel LLP; Gregor N. Neff

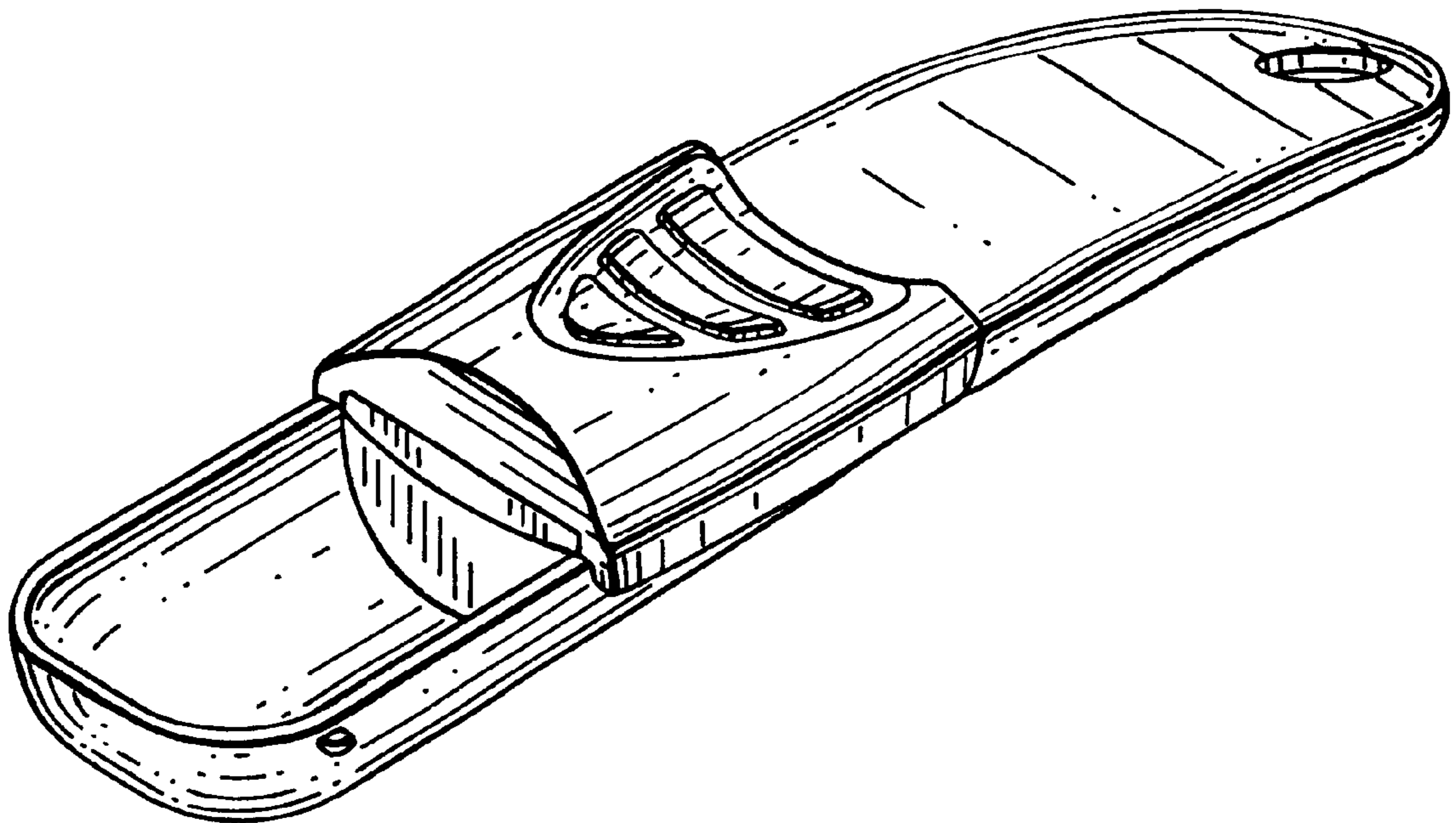
(57) **CLAIM**

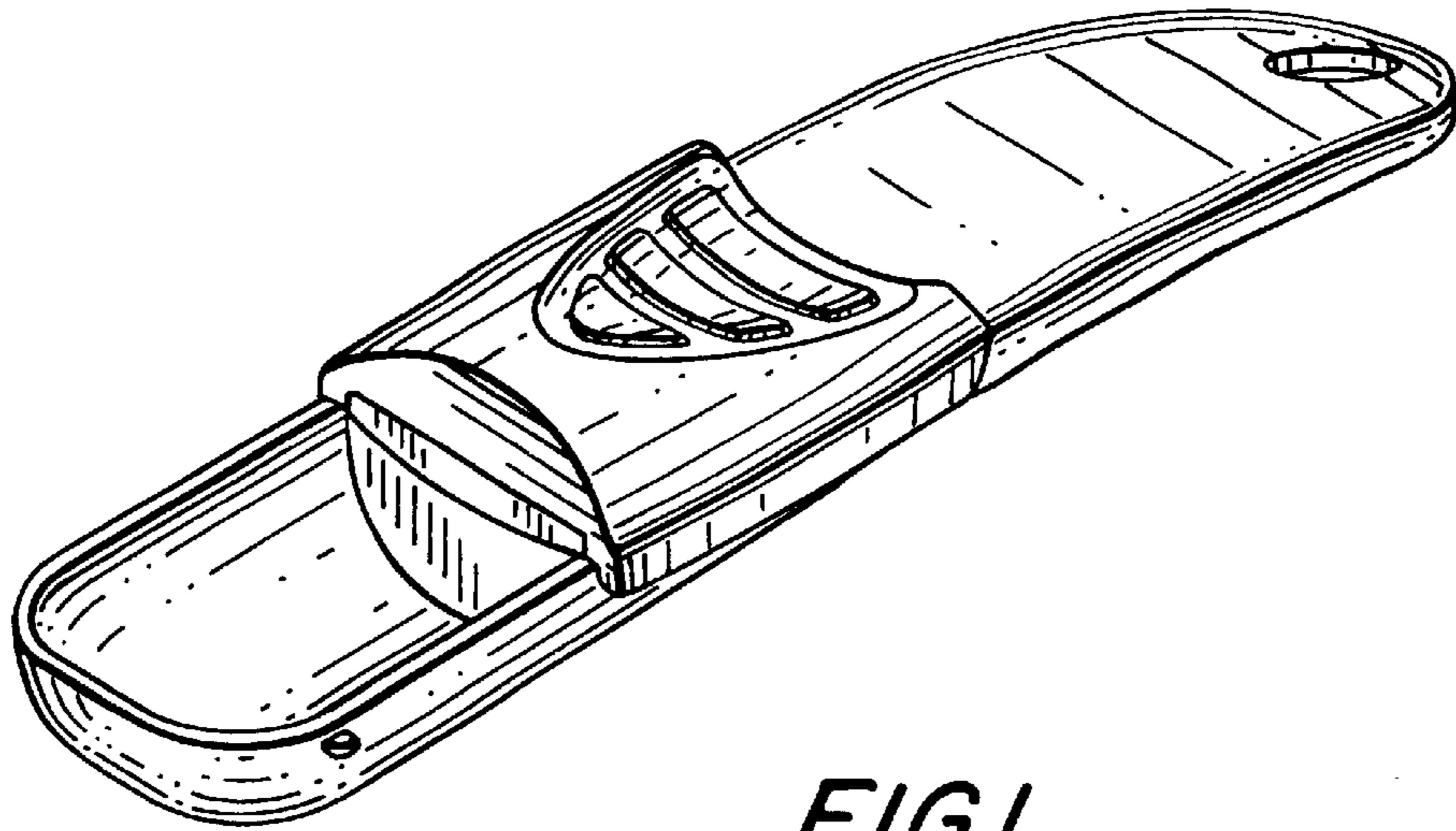
The ornamental design for a adjustable measuring spoon, as shown and described.

**DESCRIPTION**

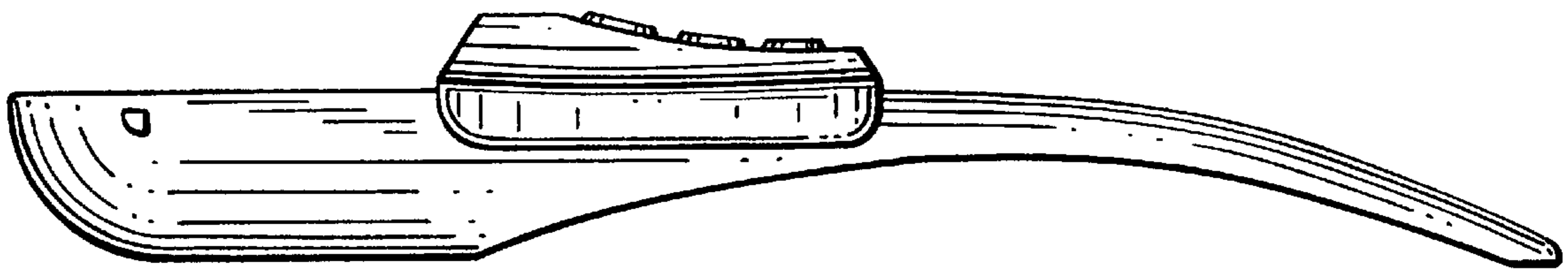
FIG. 1 is a perspective view of the adjustable measuring spoon,  
 FIG. 2 is a side elevation view of the adjustable measuring spoon,  
 FIG. 3 is a top plan view of the adjustable measuring spoon,  
 FIG. 4 is a front elevation view of the adjustable measuring spoon,  
 FIG. 5 is a bottom plan view of the adjustable measuring spoon,  
 FIG. 6 is a perspective view of a smaller version of the adjustable measuring spoon shown in FIGS. 1 through 5,  
 FIG. 7 is a side elevation view of the adjustable measuring spoon shown in FIG. 6,  
 FIG. 8 is a top plan view of the adjustable measuring spoon of FIG. 6,  
 FIG. 9 is a front elevation view of the adjustable measuring spoon of FIG. 6; and,  
 FIG. 10 is a bottom plan view of the adjustable measuring spoon of FIG. 6.

**1 Claim, 4 Drawing Sheets**

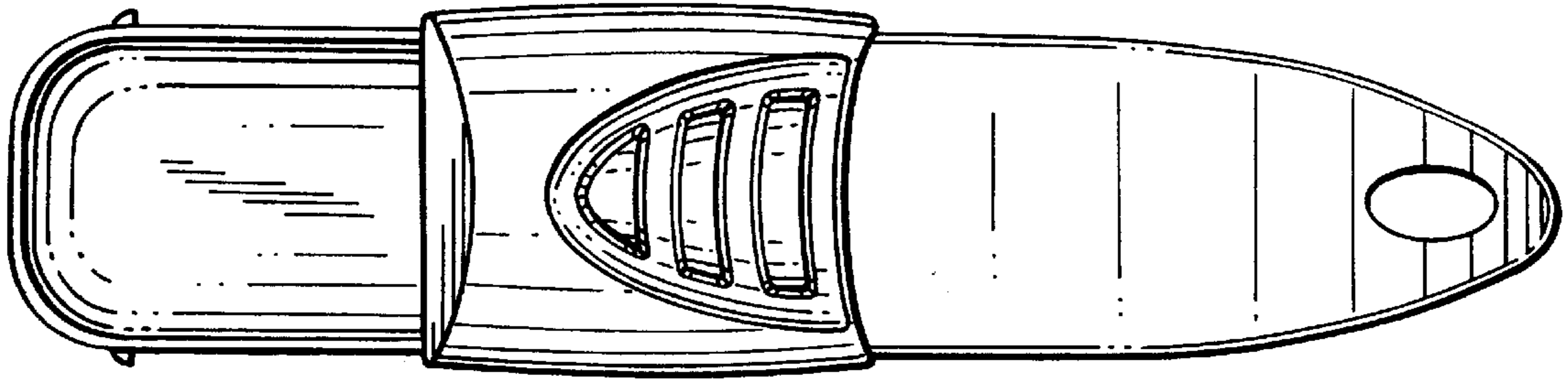




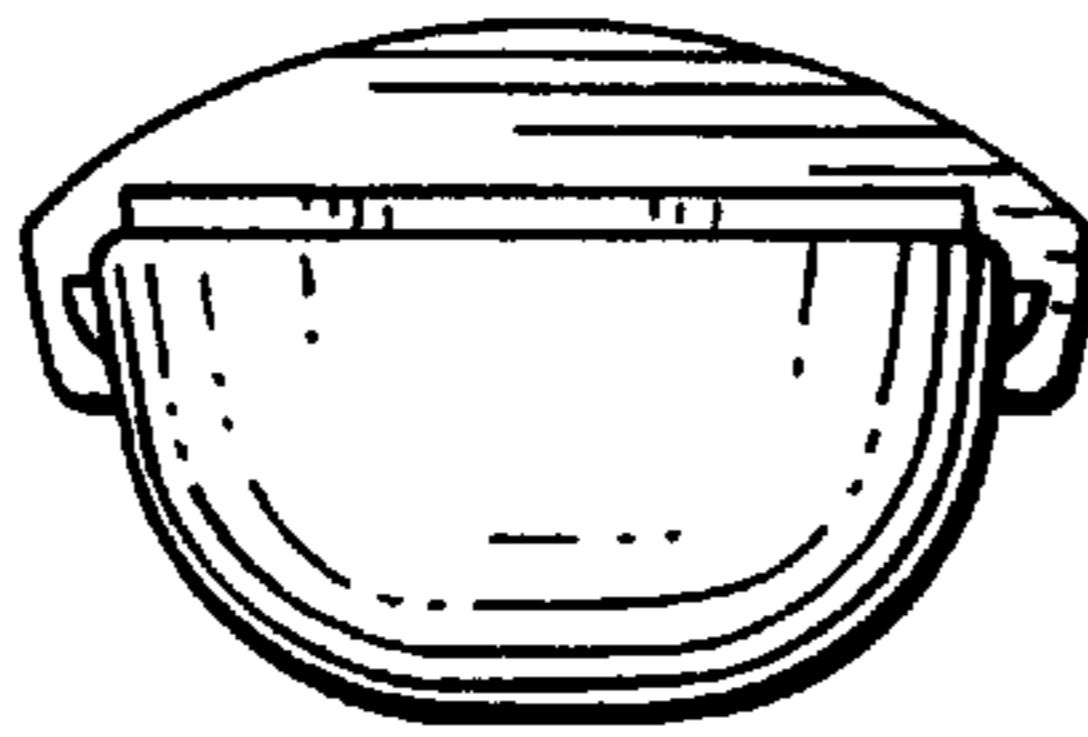
*FIG. 1*



*FIG. 2*

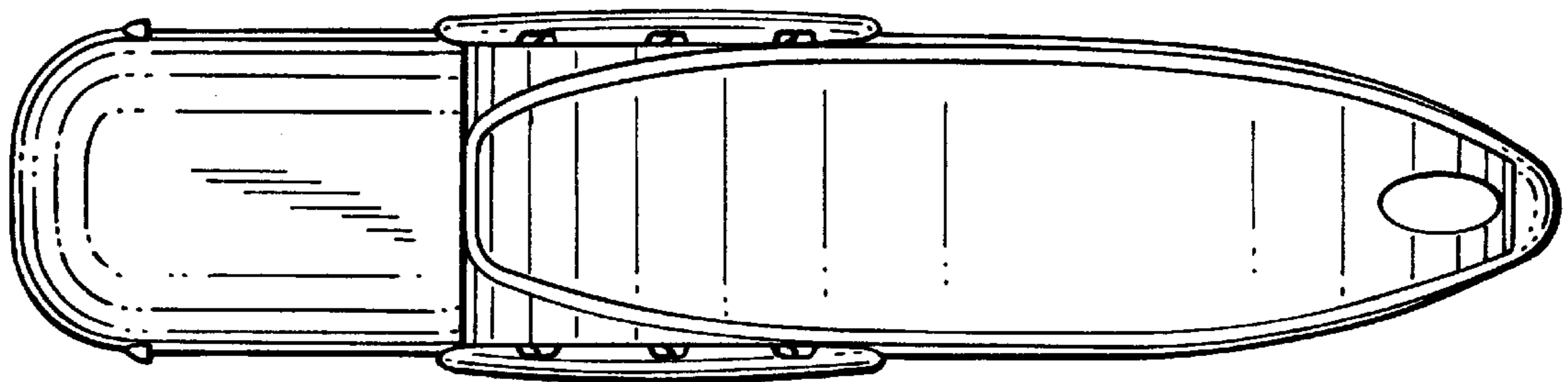


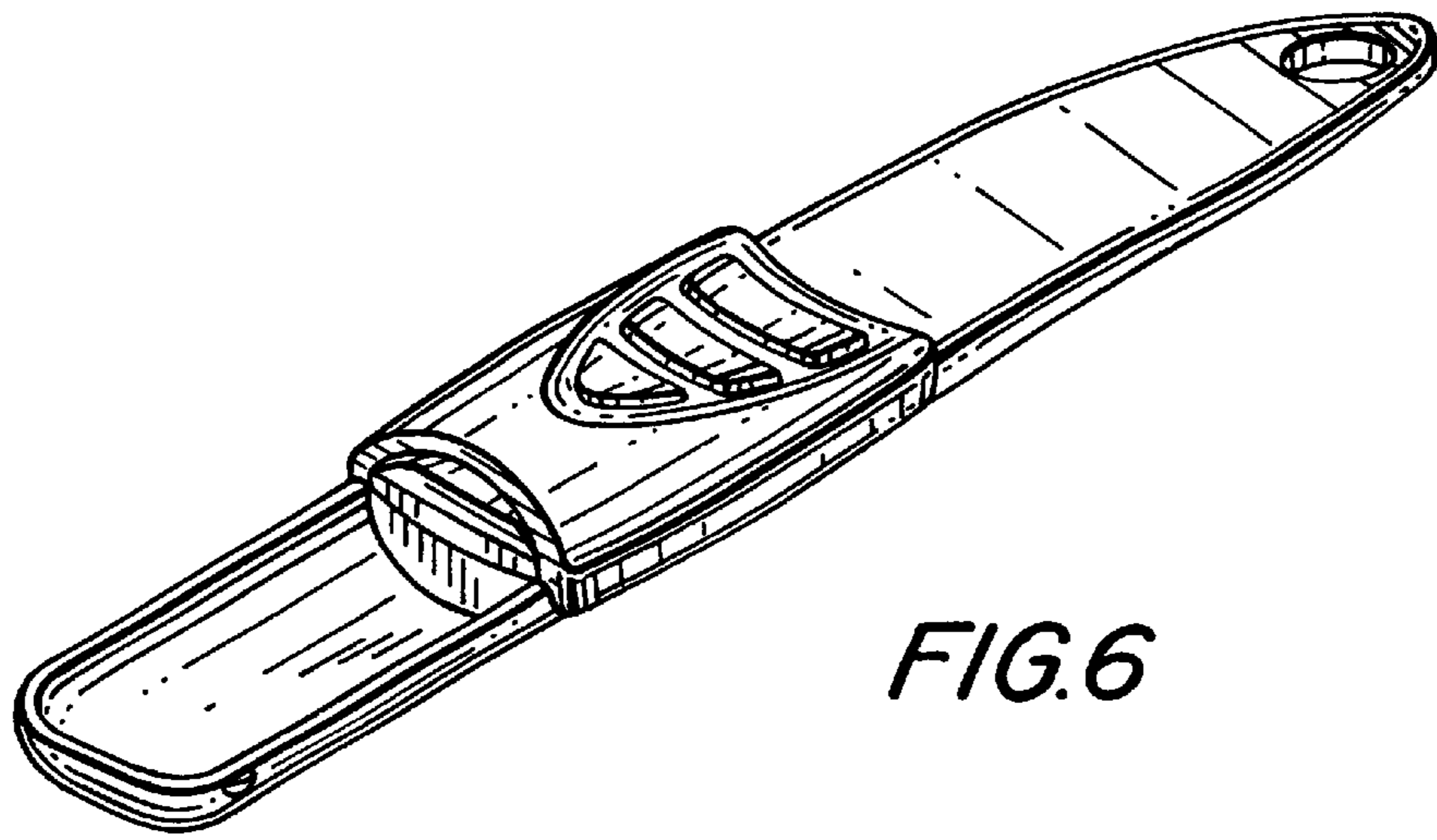
*FIG. 3*



*FIG. 4*

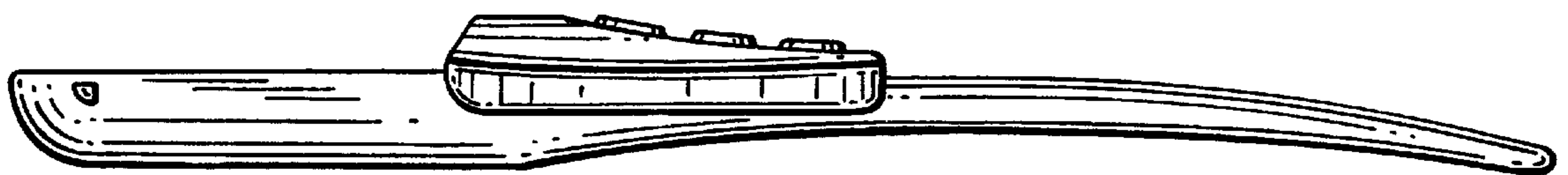
*FIG. 5*

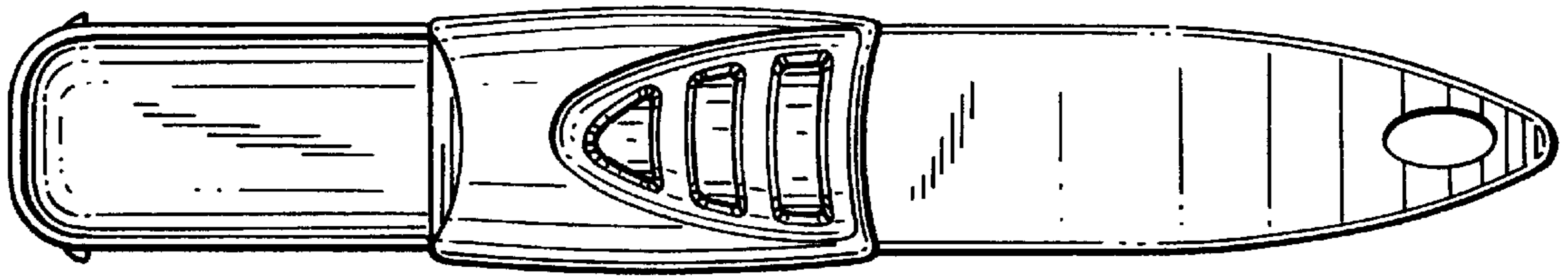




*FIG. 6*

*FIG. 7*

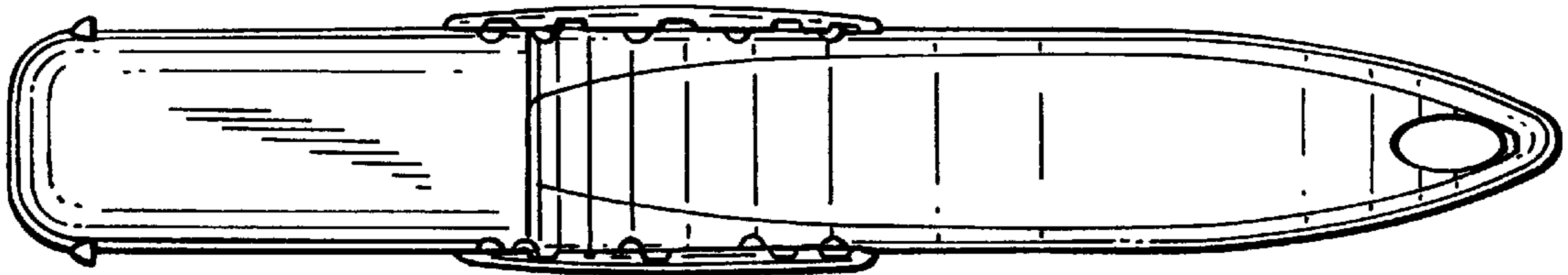




*FIG. 8*



*FIG. 9*



*FIG. 10*