



US00D452176B1

(12) **United States Design Patent**
Heuer

(10) **Patent No.:** **US D452,176 S**

(45) **Date of Patent:** **** Dec. 18, 2001**

(54) **TIMER CONTROLLER**

(75) Inventor: **Daniel A. Heuer**, New Carlisle, IN (US)

(73) Assignee: **Dwyer Instruments, Inc.**, Michigan City, IN (US)

(**) Term: **14 Years**

(21) Appl. No.: **29/127,210**

(22) Filed: **Aug. 1, 2000**

(51) **LOC (7) Cl.** **10-03**

(52) **U.S. Cl.** **D10/40**

(58) **Field of Search** D10/40, 41, 125, D10/165, 166; D13/162, 162.1, 164, 184

(56) **References Cited**

U.S. PATENT DOCUMENTS

- D. 322,598 * 12/1991 DiCarlo, Jr. D13/165
- D. 398,586 * 9/1998 Richman et al. D13/162
- D. 404,391 * 1/1999 Herbstritt et al. D13/162
- D. 423,962 * 5/2000 Ott D10/125

OTHER PUBLICATIONS

DustCatcher Brochure, AAF International, Jan. 25, 2000.
Intelligent Dust Collector Controller Brochure, National Controls Corporation, undated.

* cited by examiner

Primary Examiner—Doris V. Coles

Assistant Examiner—Elizabeth A. Albert

(74) *Attorney, Agent, or Firm*—Lee, Mann, Smith, McWilliams, Sweeney & Ohlson

(57) **CLAIM**

The ornamental design for a timer controller, as shown and described.

DESCRIPTION

FIG. 1 is a perspective view of the timer controller.

FIG. 2 is a top plan view of the timer controller.

FIG. 3 is a bottom view of the timer controller.

FIG. 4 is a front elevational view of the timer controller.

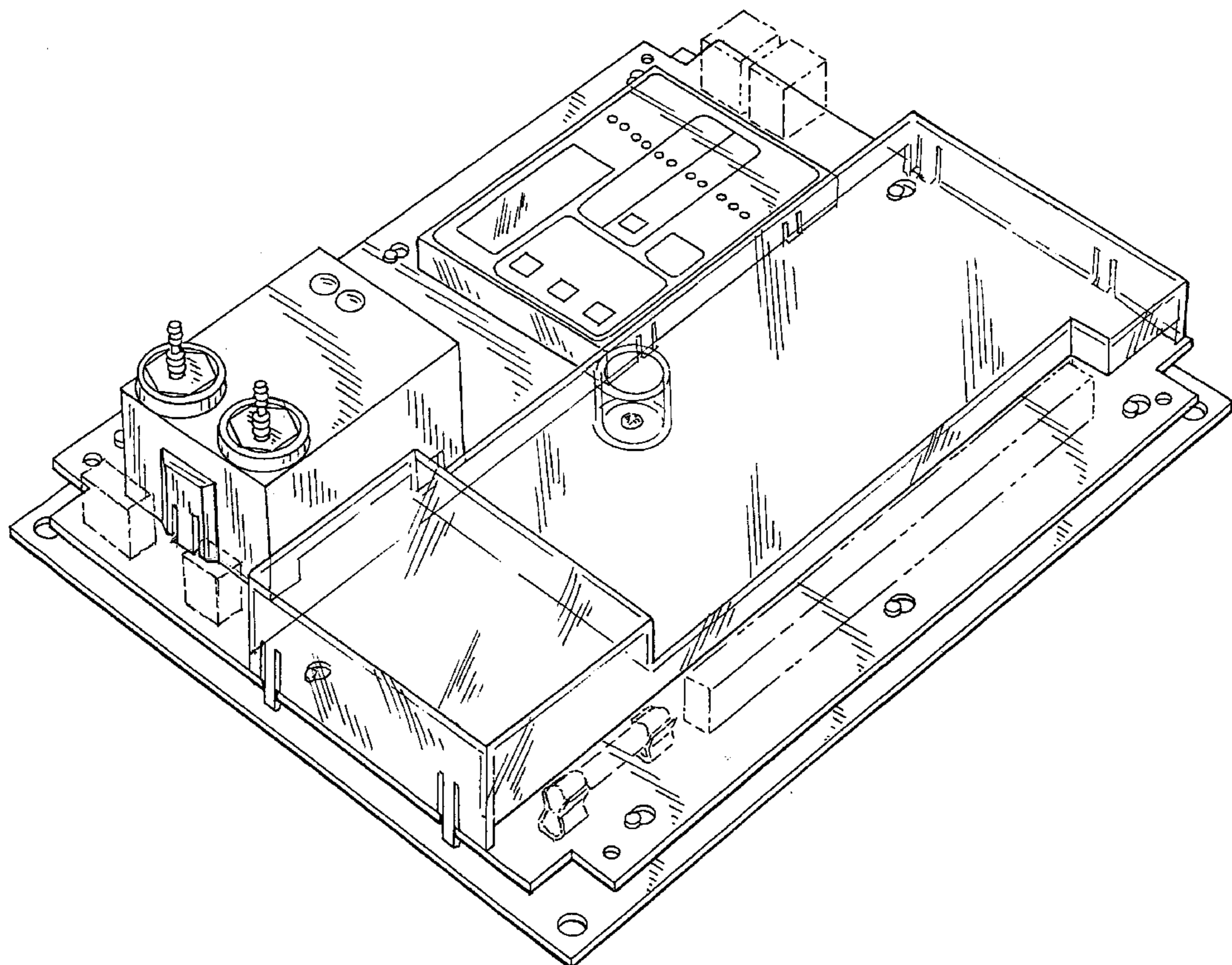
FIG. 5 is a rear elevational view of the timer controller.

FIG. 6 is a right side view of the timer controller; and,

FIG. 7 is a left side view of the timer controller.

The broken line showing of parts of the timer controller is for illustrative purposes only and forms no part of the claimed design.

1 Claim, 3 Drawing Sheets



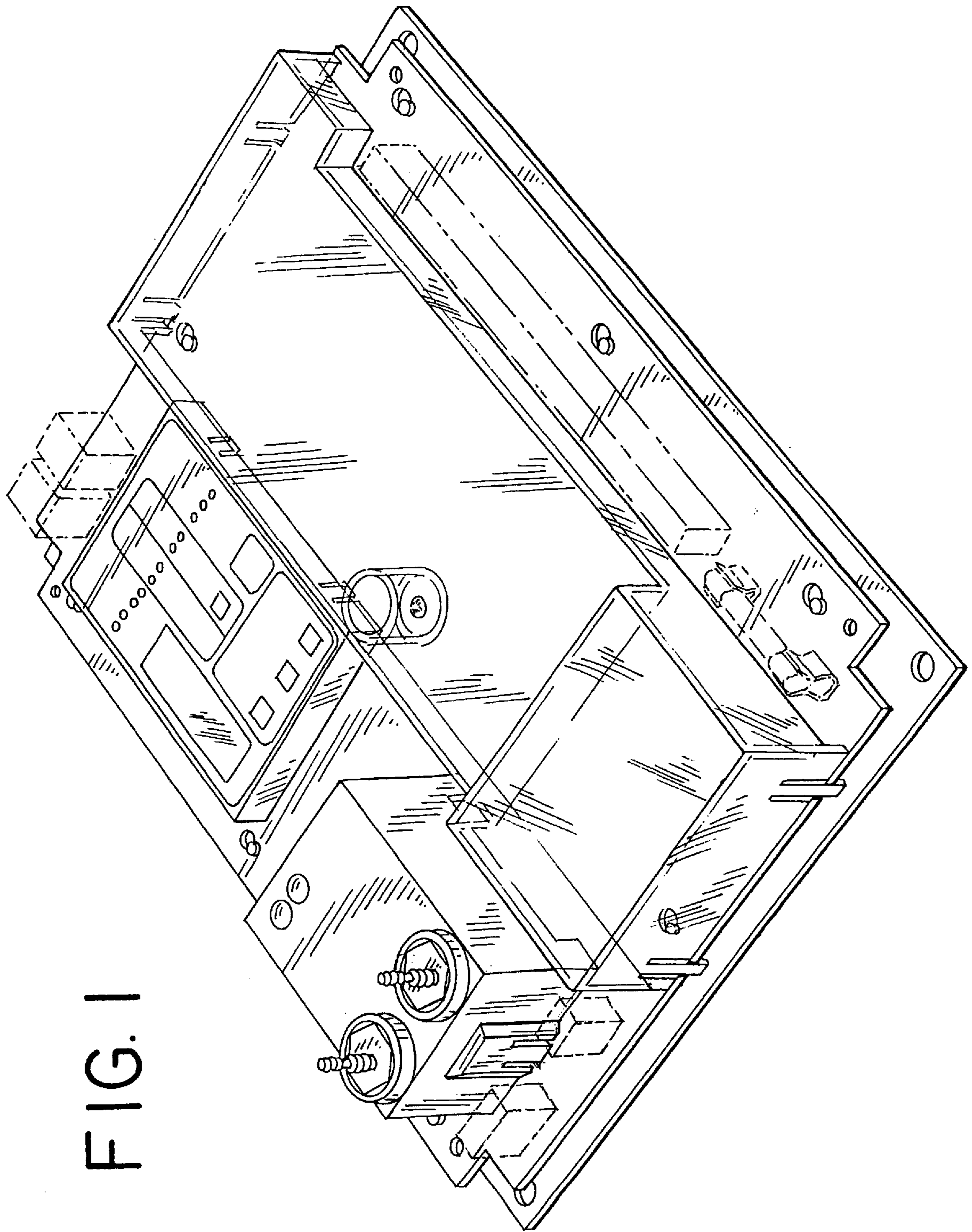


FIG. 1

FIG. 2

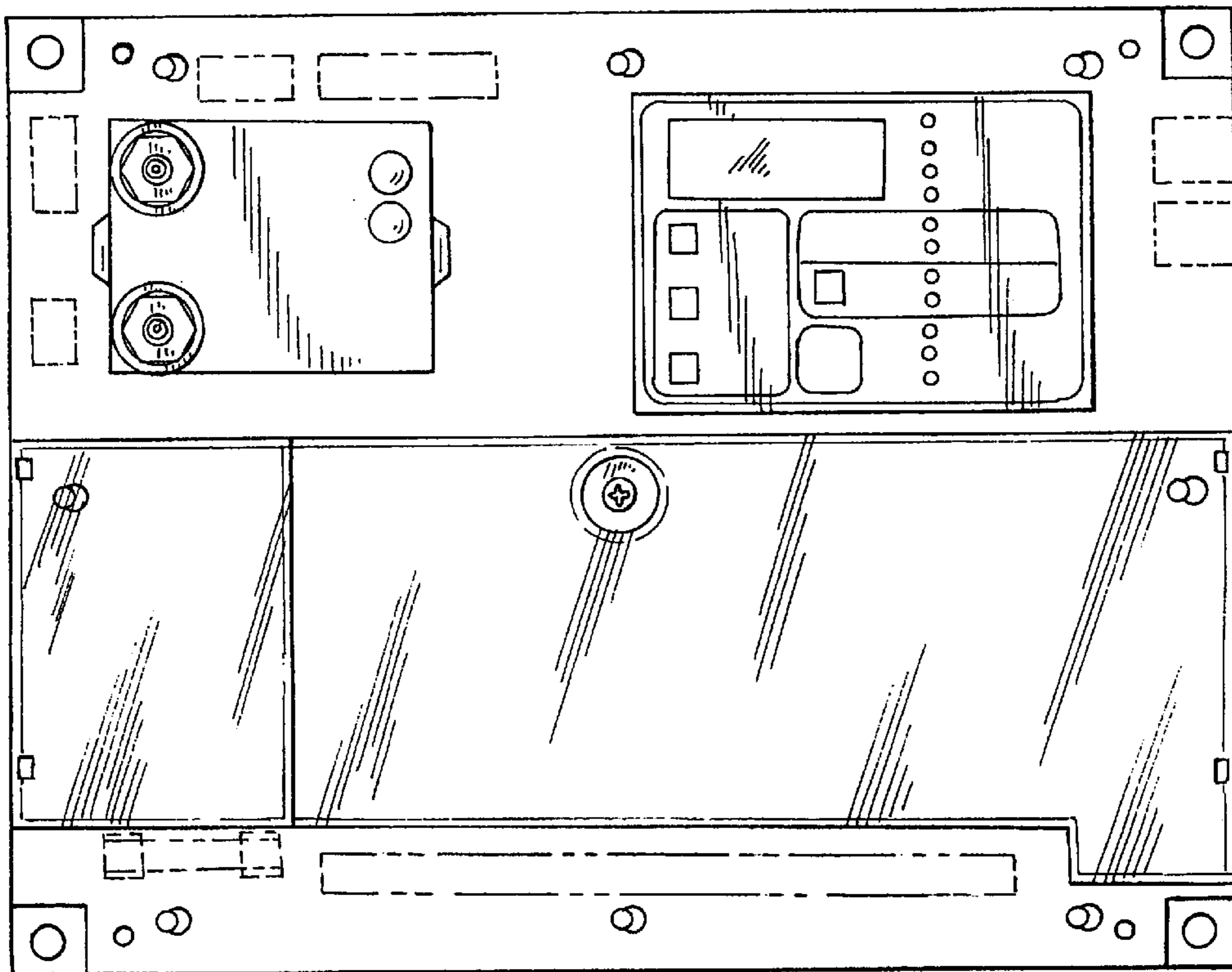


FIG. 3

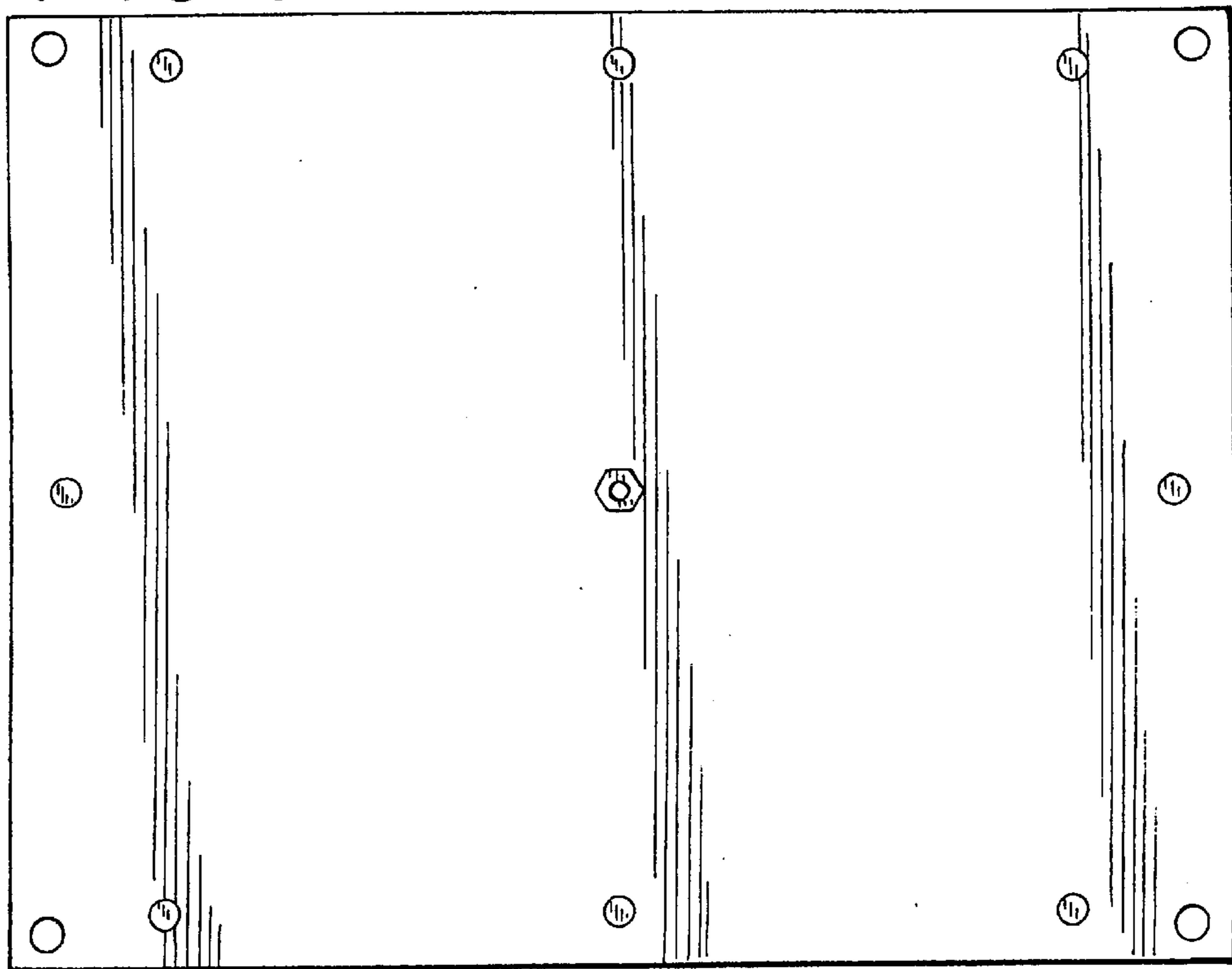


FIG. 4

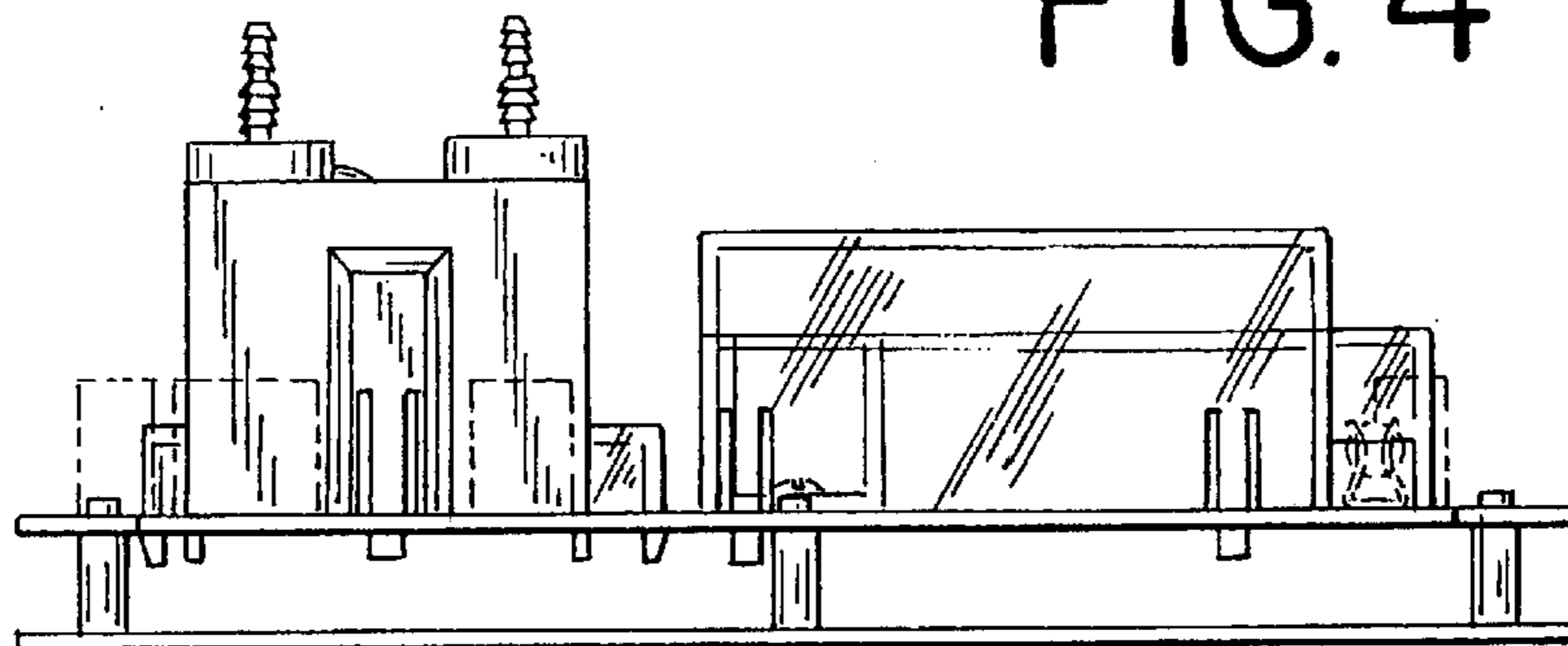


FIG. 5

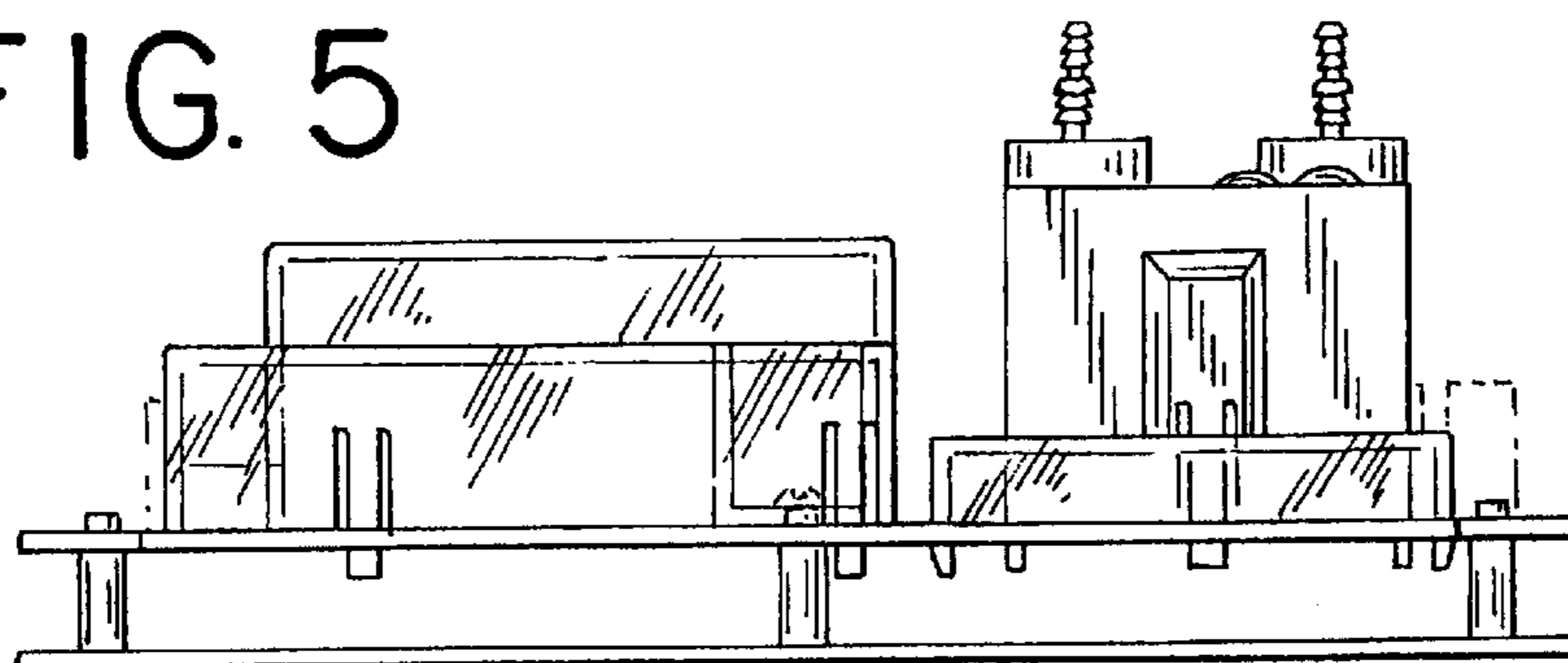


FIG. 6

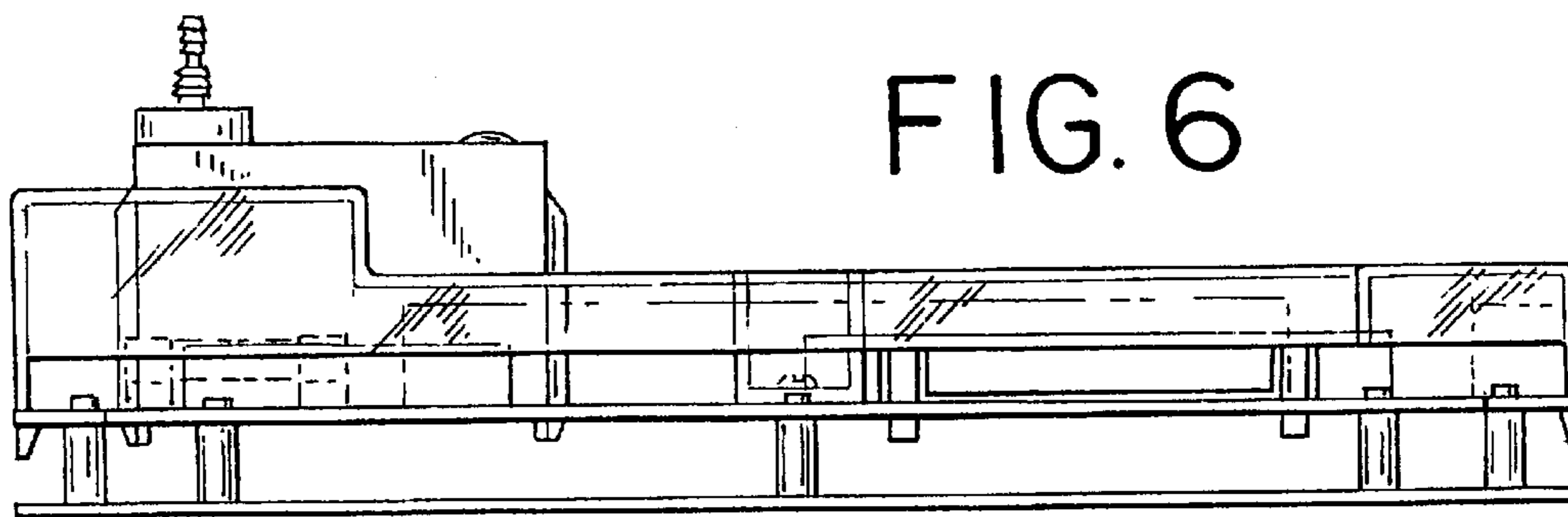


FIG. 7

