



US00D452175B1

(12) **United States Design Patent**
Finazzi

(10) **Patent No.:** **US D452,175 S**

(45) **Date of Patent:** **** Dec. 18, 2001**

(54) **WATCH**

D. 403,251 * 12/1998 Yuill D10/32
D. 410,394 * 6/1999 Bulgari D10/39

(75) **Inventor:** **Pierre-André Finazzi**, La
Chaux-de-Fonds (CH)

* cited by examiner

(73) **Assignee:** **Les Monts SA**, La Chaux-de-Fonds
(CH)

Primary Examiner—Nelson C. Holtje
(74) *Attorney, Agent, or Firm*—Sughrue, Mion, Zinn,
Macpeak & Seas, PLLC

(**) **Term:** **14 Years**

(57) **CLAIM**

(21) **Appl. No.:** **29/129,639**

The ornamental design for a watch, as shown.

(22) **Filed:** **Sep. 20, 2000**

DESCRIPTION

(30) **Foreign Application Priority Data**

Apr. 12, 2000 (XH) DMA/004 872

(51) **LOC (7) Cl.** **10-02**

(52) **U.S. Cl.** **D10/39**

(58) **Field of Search** D10/1-40, 122-132;
368/280-282, 276-277, 285

FIG. 1 is a perspective view of the front and one side of a watch showing my new design;
FIG. 2 is a front view thereof;
FIG. 3 is a rear view thereof;
FIG. 4 is a side view of said one side thereof;
FIG. 5 is a side view of an opposite side thereof;
FIG. 6 is an end view of one end thereof; and,
FIG. 7 is an end view of an opposite end thereof.

(56) **References Cited**

U.S. PATENT DOCUMENTS

D. 380,971 * 7/1997 Giardiello D10/39

1 Claim, 2 Drawing Sheets



FIG. 1



FIG. 2



FIG. 3

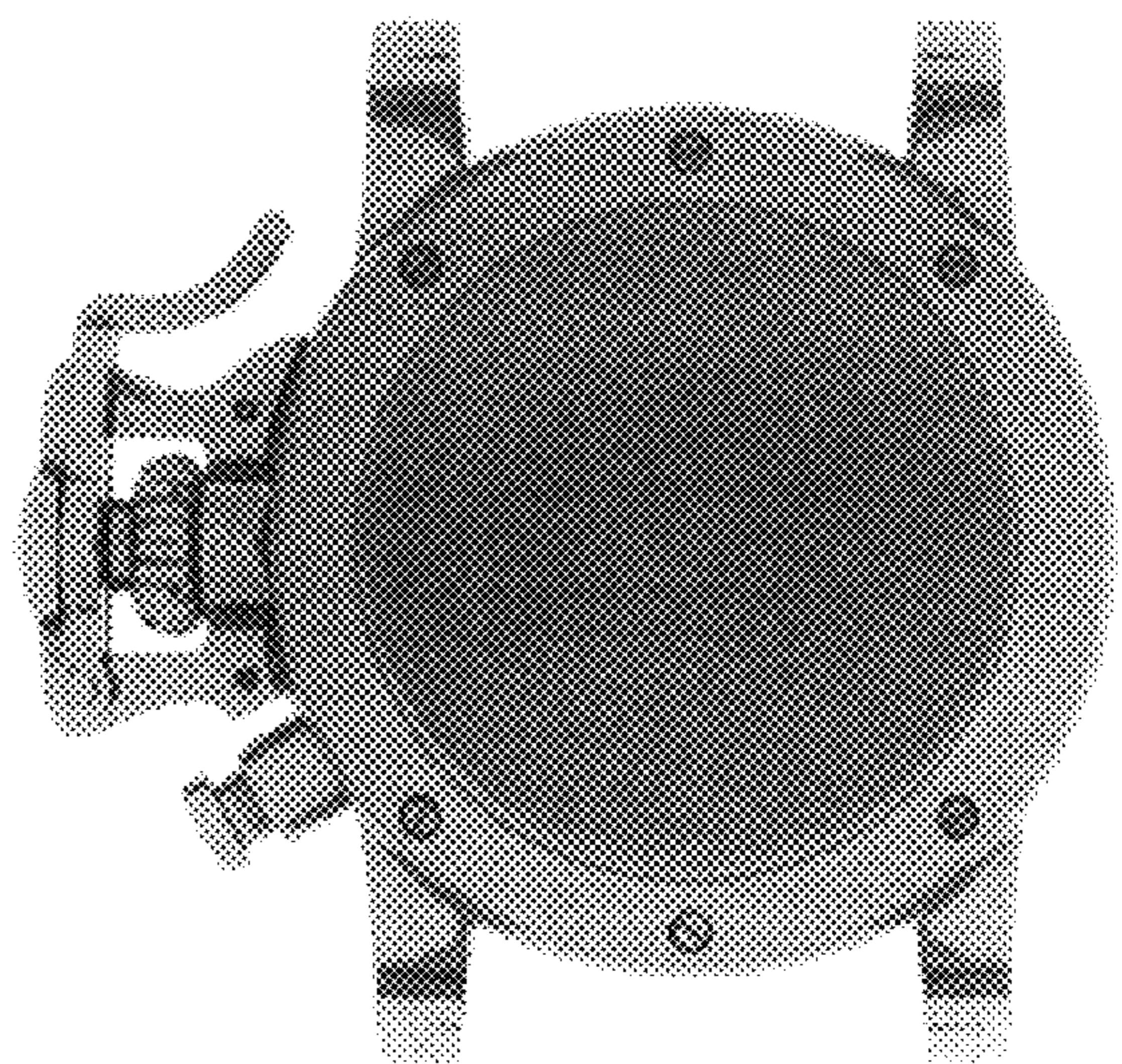


FIG. 4

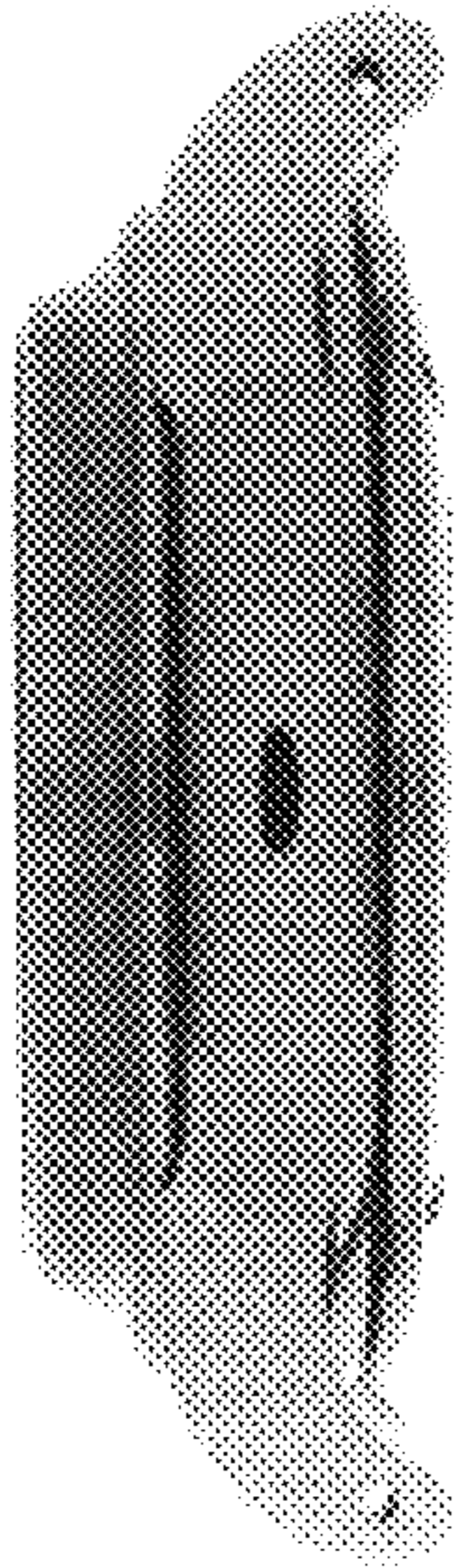


FIG. 6

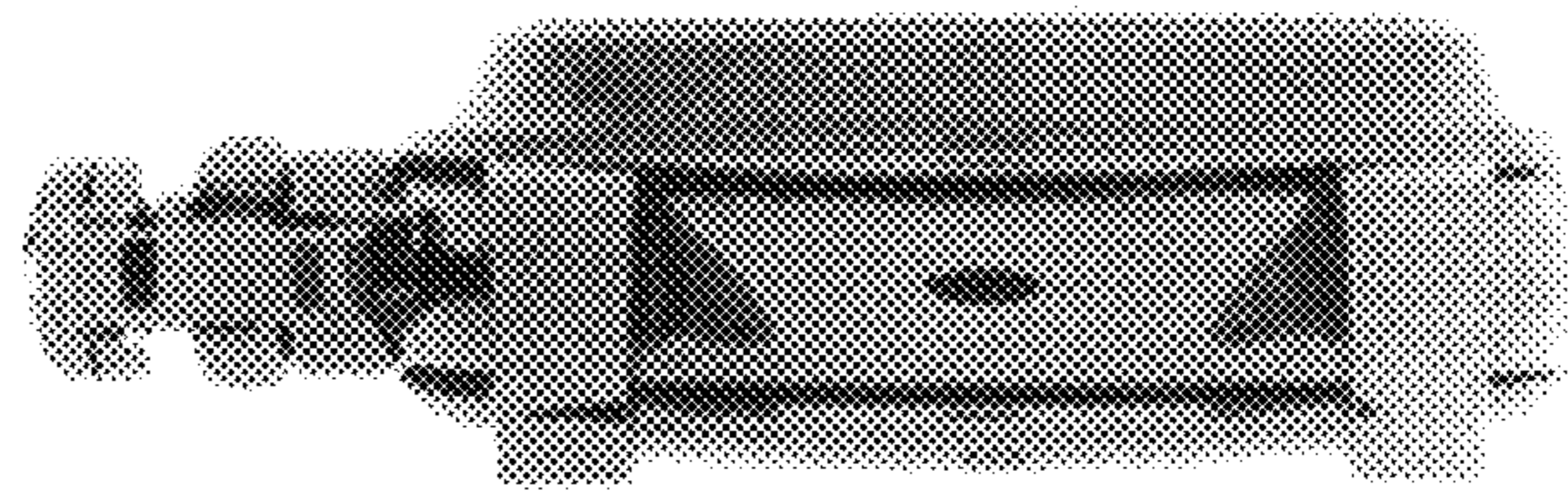


FIG. 5

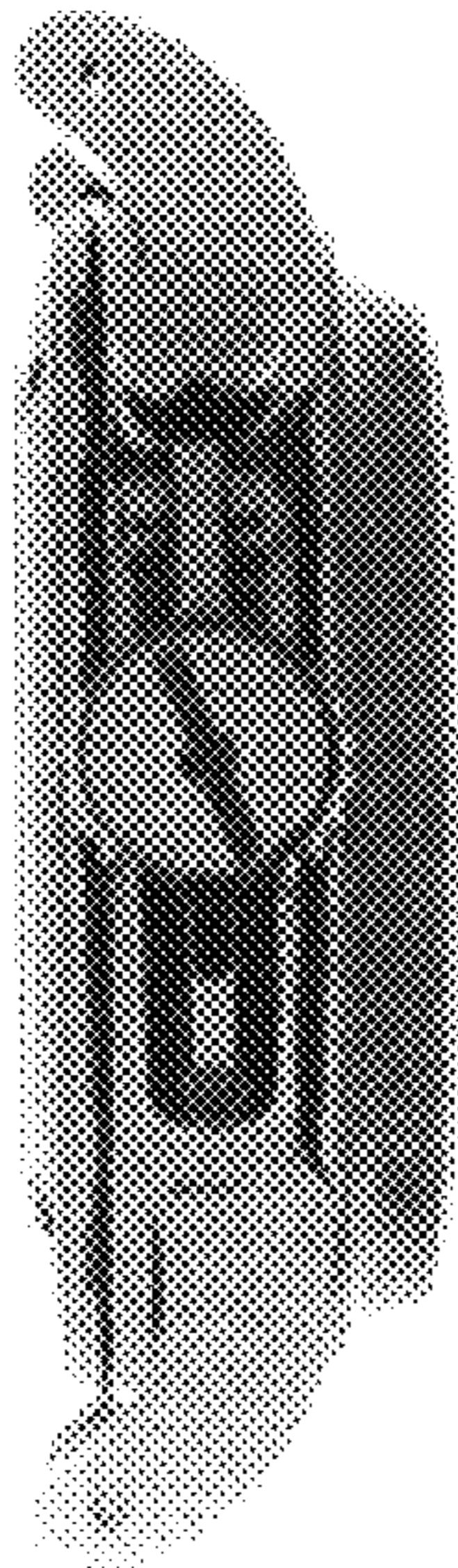


FIG. 7

