



US00D452167B1

(12) **United States Design Patent**
Leyde et al.

(10) **Patent No.:** **US D452,167 S**

(45) **Date of Patent:** **** Dec. 18, 2001**

(54) **TRAVEL ALARM CLOCK**

(76) Inventors: **Mitra Leyde**, 281 Gateway Dr., No. 253, Pacifica, CA (US) 94044; **Paul Lacotta**, 403 Blvd., Glen Rock, NJ (US) 07452; **William C. Fiebel**, 60 Surrey La., Clifton, NJ (US) 07012

(**) Term: **14 Years**

(21) Appl. No.: **29/129,938**

(22) Filed: **Sep. 25, 2000**

(51) **LOC (7) Cl.** **10-01**

(52) **U.S. Cl.** **d10/18; D10/22; D10/123**

(58) **Field of Search** D10/1, 2, 3-15, D10/16-18, 19-40, 122-132; 368/10, 276, 277, 285, 316, 317

(56) **References Cited**

U.S. PATENT DOCUMENTS

D. 321,662	*	11/1991	Wada	D10/18
D. 348,699	*	7/1994	Chuk	D10/2 X
D. 355,857	*	2/1995	Houlihan	D10/15
D. 359,241	*	6/1995	Ling	D10/18
D. 373,357	*	9/1996	Wong	D10/2 X
D. 439,846	*	4/2001	Suzuki	D10/18

* cited by examiner

Primary Examiner—Martie K. Holtje

(74) *Attorney, Agent, or Firm*—Jordan and Hamburg LLP

(57) **CLAIM**

The ornamental design for a travel alarm clock, as shown and described.

DESCRIPTION

FIG. 1 is a front and right side perspective view of a travel alarm clock with a cover door opened showing our new design;

FIG. 2 is a top plan view thereof with the cover door closed;

FIG. 3 is a left side elevational view thereof with the cover door closed;

FIG. 4 is a right side elevational view thereof with the cover door opened;

FIG. 5 is a front elevational view thereof with the cover door opened;

FIG. 6 is a top plan view thereof with the cover door opened;

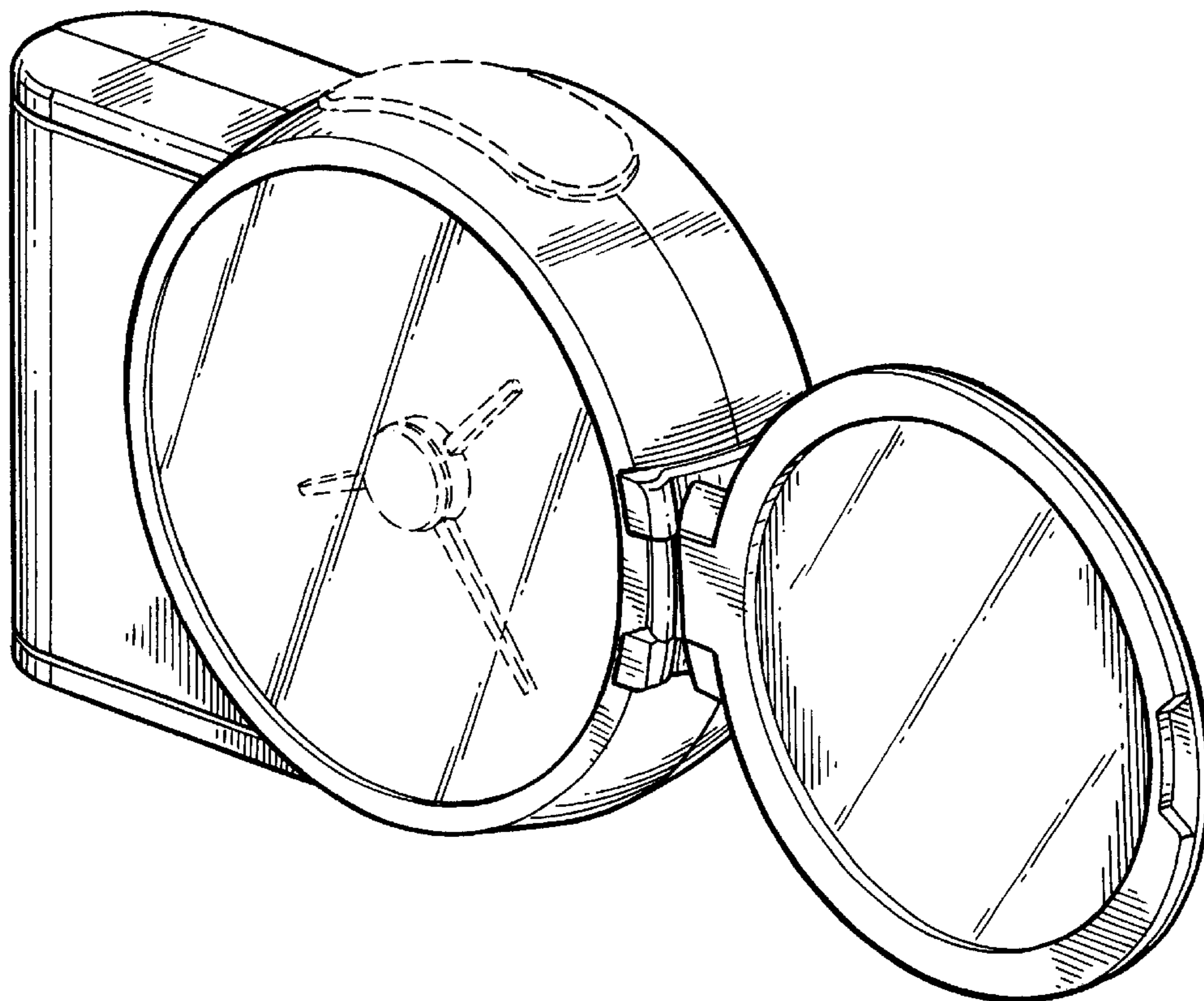
FIG. 7 is bottom plan view thereof with the cover door opened;

FIG. 8 is a rear perspective view thereof with the cover door opened; and,

FIG. 9 is a front and right side perspective view thereof with the cover door closed.

The broken lines showing features including controls, clock hands, and a battery access panel are for illustrative purposes only and form no part of the claimed design.

1 Claim, 6 Drawing Sheets



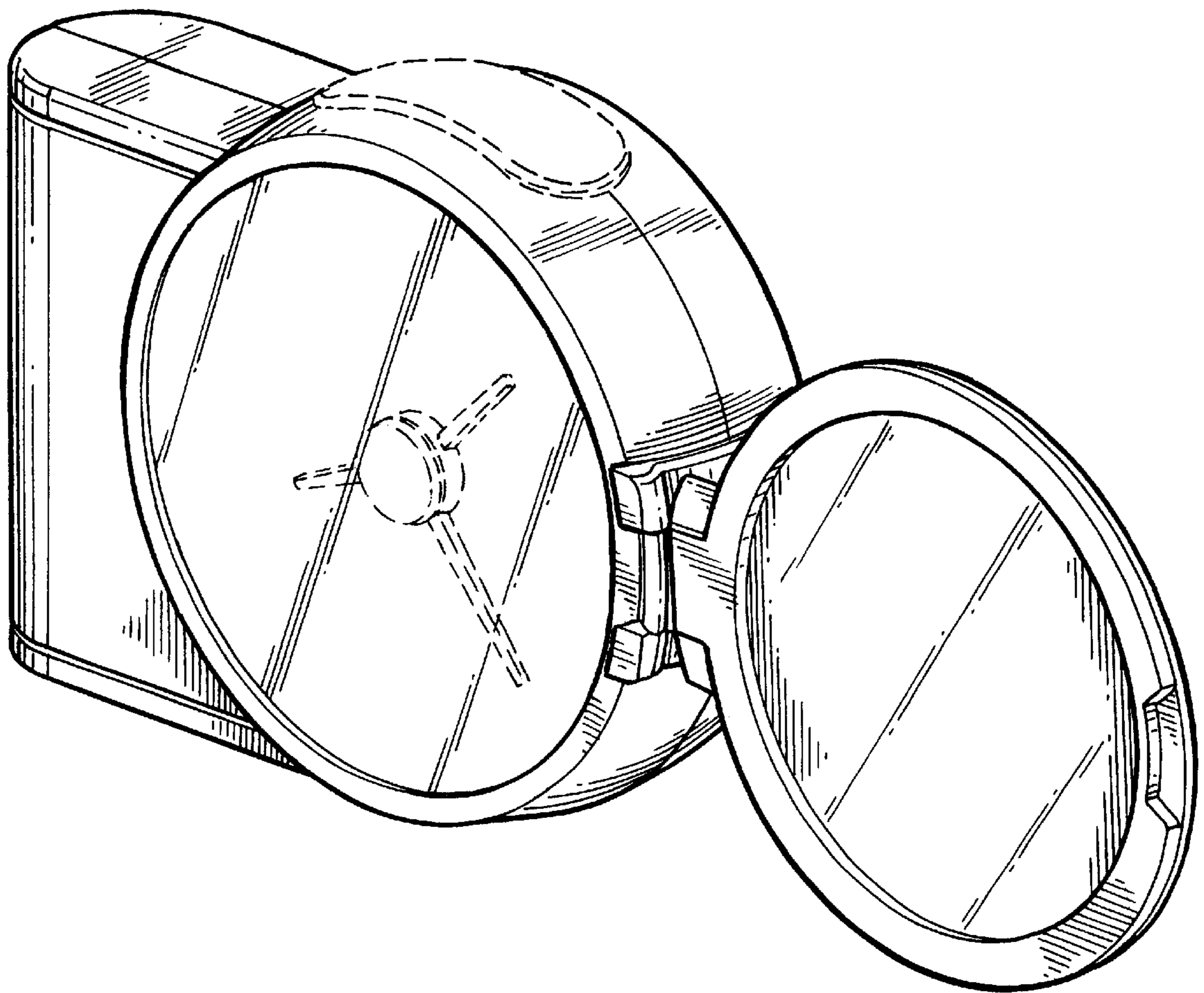


FIG. 1

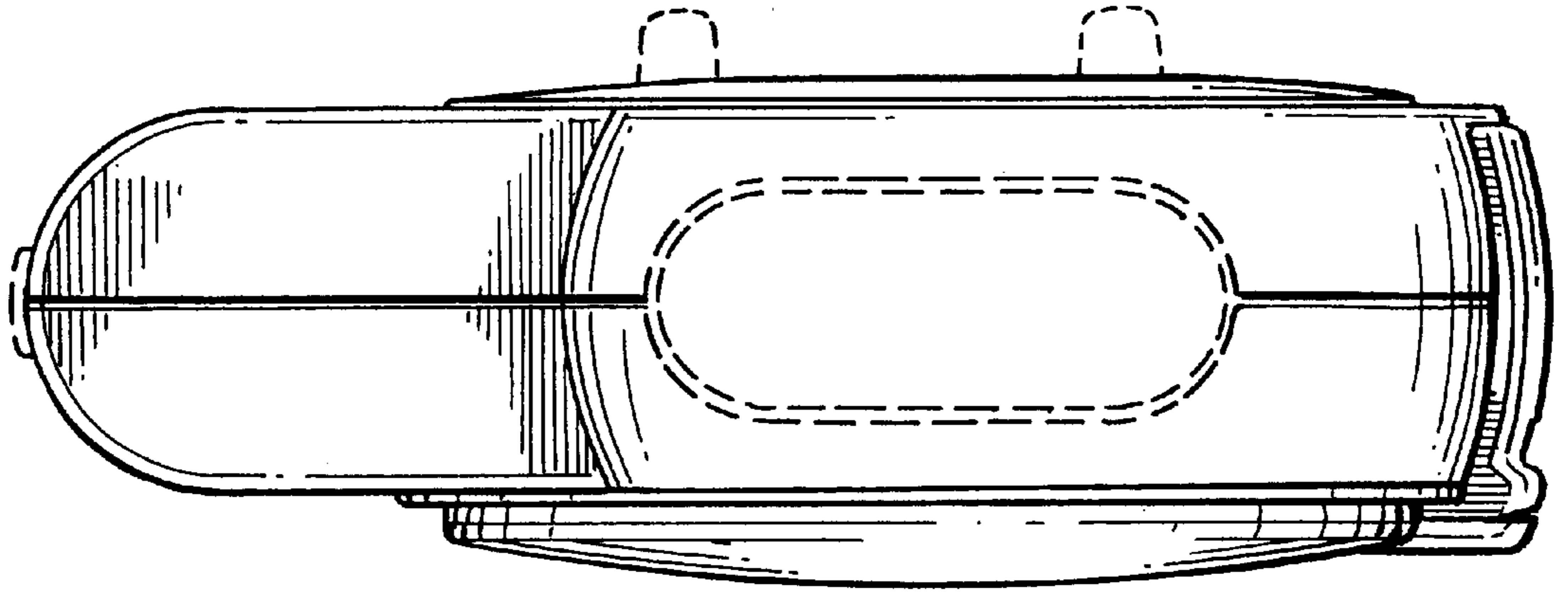


FIG. 2

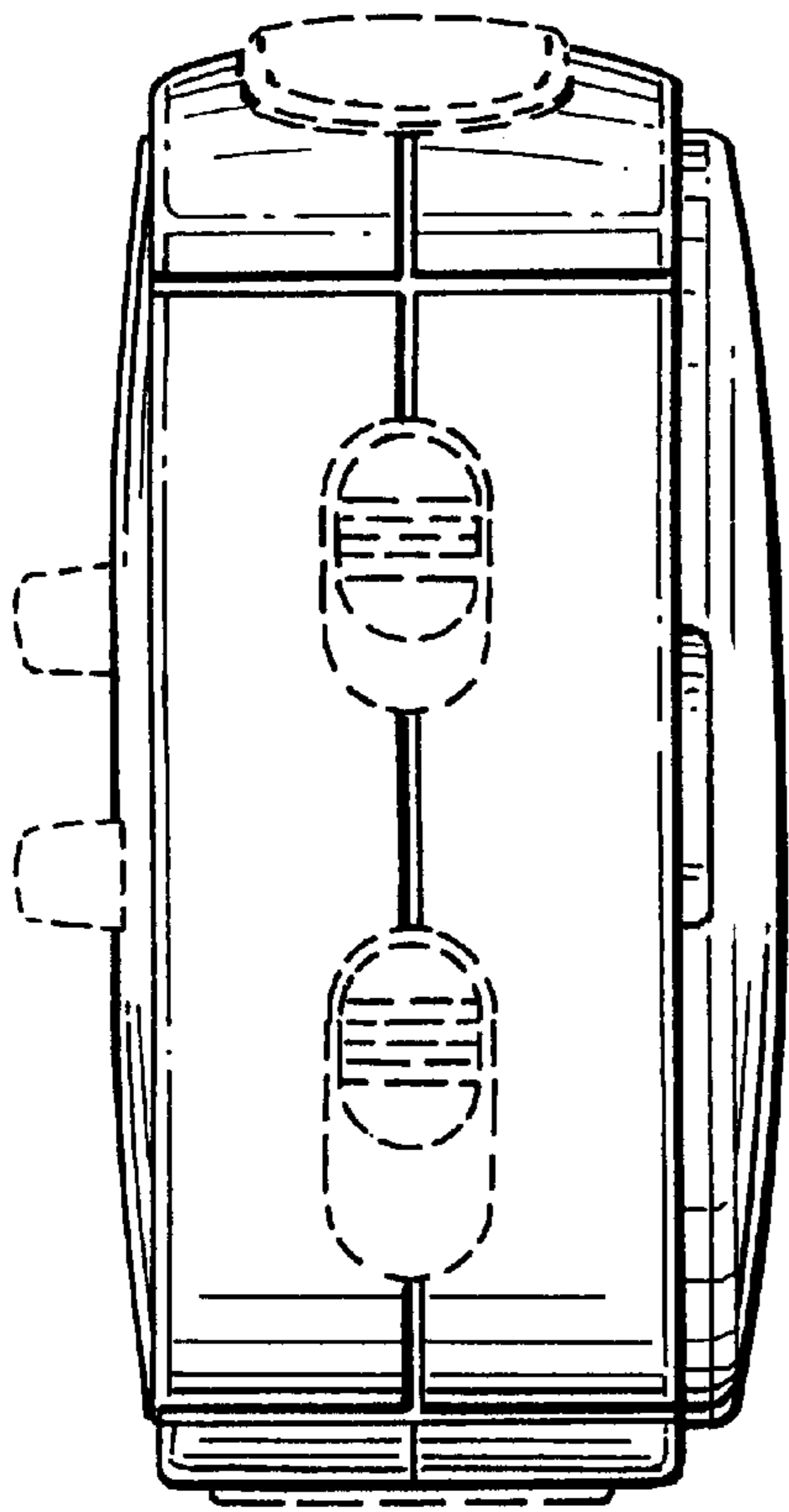


FIG. 3

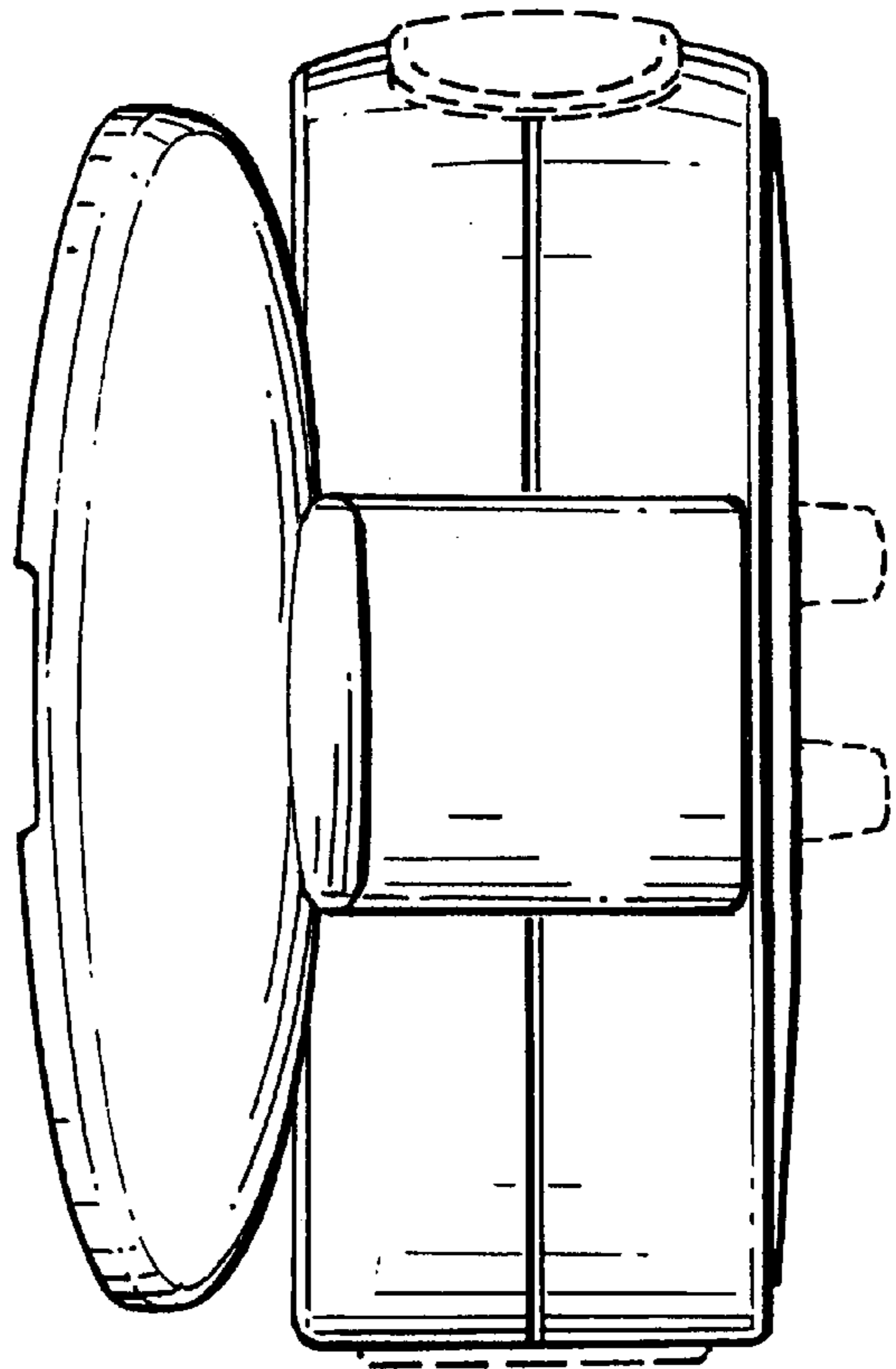


FIG. 4

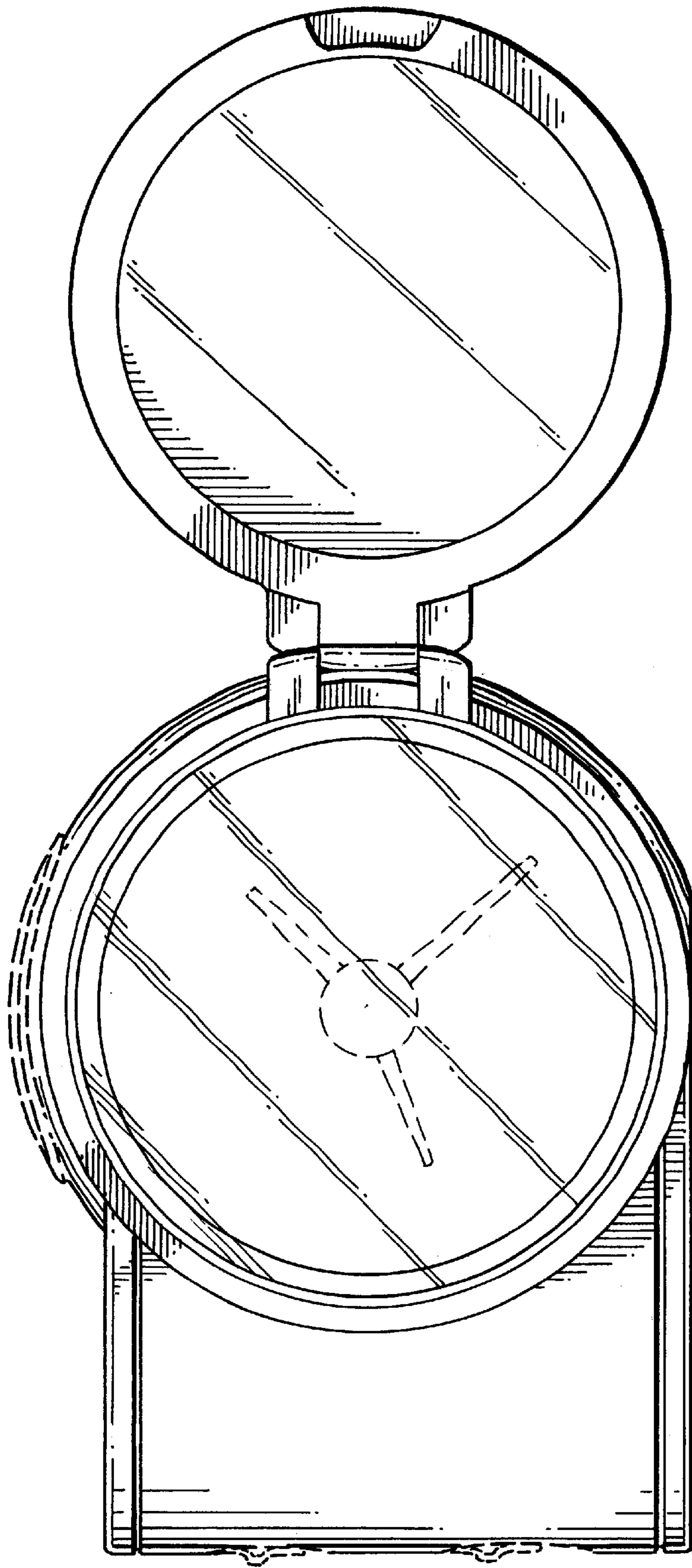


FIG. 5

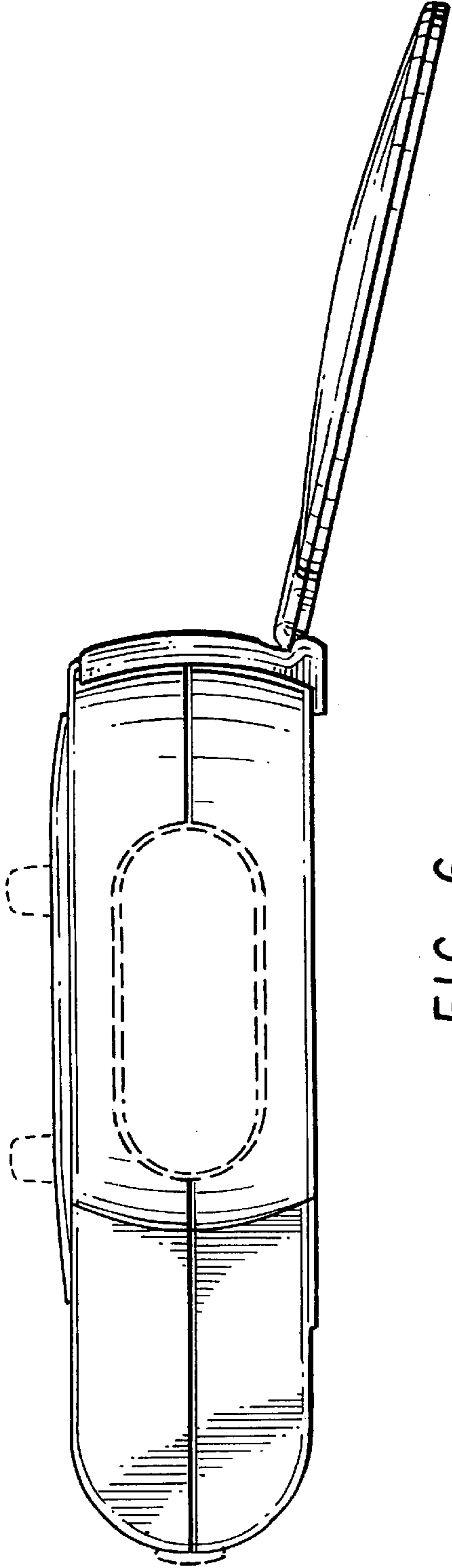


FIG. 6

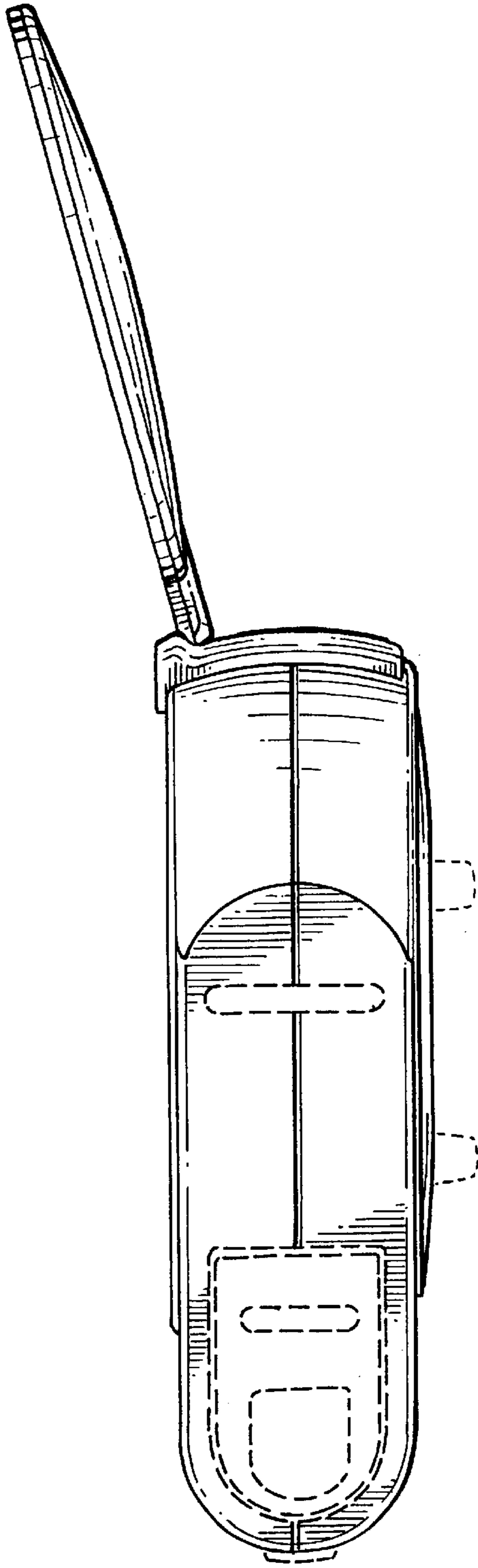


FIG. 7

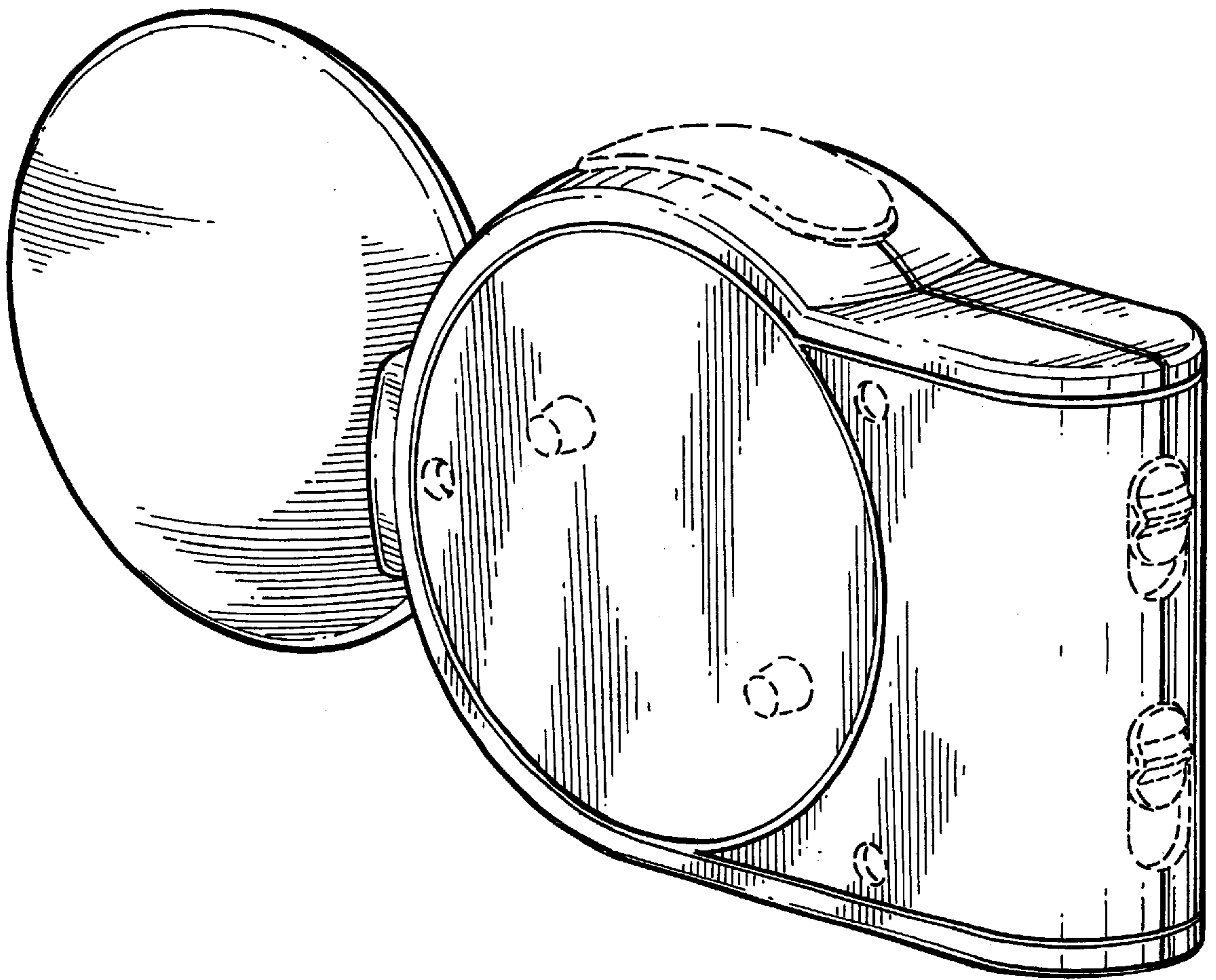


FIG. 8

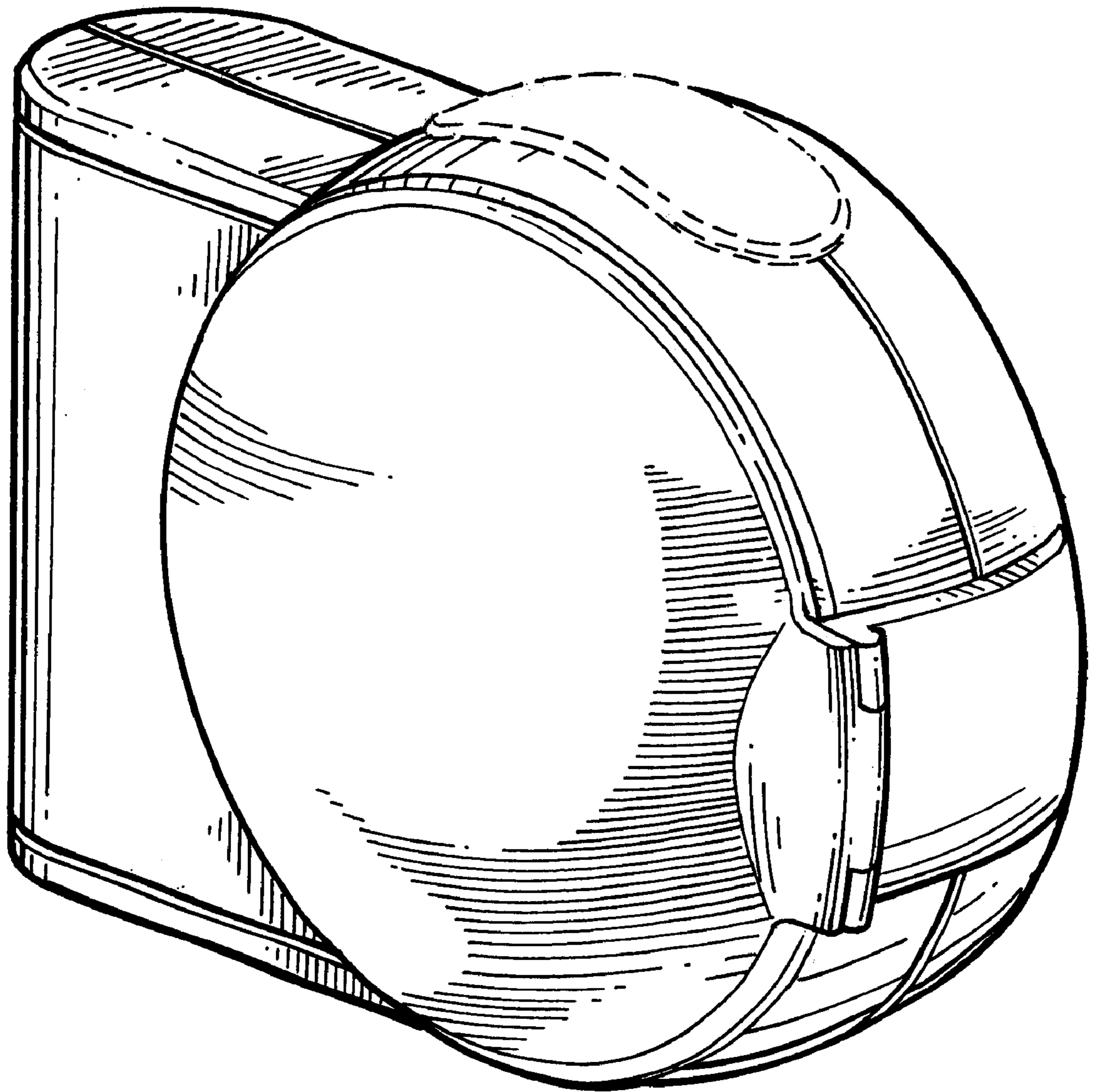


FIG. 9