



US00D452160B1

(12) **United States Design Patent**
Mettler

(10) **Patent No.: US D452,160 S**

(45) **Date of Patent: ** Dec. 18, 2001**

(54) **JAR**

(75) **Inventor: Mark F. Mettler, Spring Lake, MI (US)**

(73) **Assignee: Amway Corporation, Ada, MI (US)**

(**) **Term: 14 Years**

(21) **Appl. No.: 29/110,504**

(22) **Filed: Sep. 8, 1999**

(51) **LOC (7) Cl. 09-03**

(52) **U.S. Cl. D9/574**

(58) **Field of Search D9/500, 503, 516, D9/529, 530, 537, 539, 542, 549, 558, 560, 561, 572, 573, 574; D28/73, 76, 78, 82, 83, 91; 222/212-215**

- D. 369,097 4/1996 Dinand .
- D. 377,147 1/1997 Baron .
- D. 379,923 6/1997 De Baschmakoff .
- D. 380,355 7/1997 Husted .
- D. 382,206 8/1997 Worthington et al. .
- D. 383,972 9/1997 Weiss .
- D. 386,090 11/1997 de Giovellina .
- D. 392,558 3/1998 Monaghan .
- D. 394,006 5/1998 Toleman .
- D. 395,606 6/1998 Tacconelli .
- D. 397,040 * 8/1998 Bakic D9/574
- D. 397,374 * 8/1998 Brooks D14/417
- D. 398,243 9/1998 Dinand .
- D. 399,130 10/1998 Monaghan .
- D. 422,218 * 4/2000 Ohchi et al. D9/503
- D. 424,753 * 5/2000 Grossnickle et al. D28/82
- D. 425,427 * 5/2000 Heeter et al. D9/521
- D. 425,794 * 5/2000 Grossnickle D9/520
- D. 430,035 * 8/2000 Heeter et al. D9/529

FOREIGN PATENT DOCUMENTS

- 636223 3/1982 (JP) .
- 631128 7/1982 (JP) .
- 633529 9/1982 (JP) .

(List continued on next page.)

(56) **References Cited**

U.S. PATENT DOCUMENTS

- D. 28,637 * 5/1898 Estes D9/504
- D. 92,148 5/1934 McGiveran .
- D. 127,331 * 5/1941 Rosenfeld D9/503
- D. 128,650 * 8/1941 Walker et al. D9/574
- D. 168,110 11/1952 Montenier .
- D. 202,662 10/1965 Williams .
- D. 202,824 11/1965 Gould .
- D. 206,947 2/1967 Doblin .
- D. 214,159 * 5/1969 Hart et al. D9/503
- D. 219,096 11/1970 Mauri-Closa .
- D. 226,753 * 4/1973 Quintal D9/503
- D. 227,225 6/1973 Schweizer .
- D. 244,176 5/1977 Pardo .
- D. 256,885 9/1980 DiScala .
- D. 256,886 9/1980 DiScala .
- D. 272,991 3/1984 Thompson .
- D. 273,180 * 3/1984 Carluccio D9/503
- D. 278,599 4/1985 Lane .
- D. 288,665 3/1987 Broutin .
- D. 303,584 * 9/1989 Bakic D28/91
- D. 319,390 8/1991 Bareiss .
- D. 343,360 1/1994 Poo .
- D. 345,504 3/1994 Bareiss .
- D. 367,230 2/1996 Paglina .

Primary Examiner—Ted Shooman
Assistant Examiner—Carol Rademaker
(74) *Attorney, Agent, or Firm*—Warner Norcross & Judd LLP

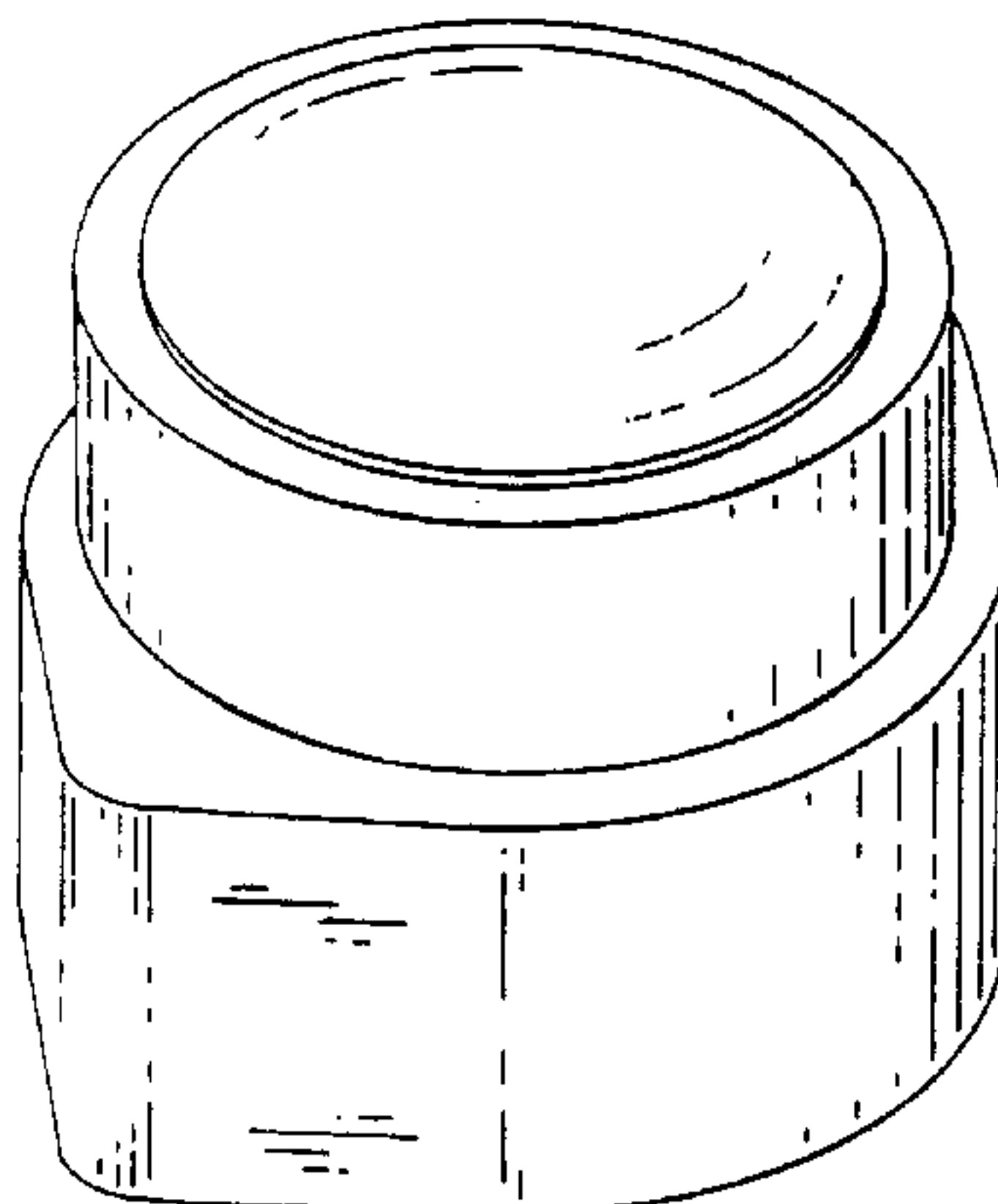
(57) **CLAIM**

The ornamental design for a jar, as shown and described.

DESCRIPTION

FIG. 1 is a perspective view of the jar embodying the new design;
FIG. 2 is a top plan view thereof;
FIG. 3 is a bottom plan view thereof;
FIG. 4 is a front elevational view thereof, the rear elevational view being the mirror image thereof; and,
FIG. 5 is a left side elevational view thereof, the right side elevational view being the mirror image thereof.

1 Claim, 1 Drawing Sheet



FOREIGN PATENT DOCUMENTS

675559	12/1982	(JP)	.	931430	2/1992	(JP)	.
714274	2/1983	(JP)	.	908662	7/1992	(JP)	.
676499	10/1983	(JP)	.	933115	9/1992	(JP)	.
766799	10/1984	(JP)	.	909443	12/1992	(JP)	.
739480	9/1985	(JP)	.	956997	5/1993	(JP)	.
768454	4/1987	(JP)	.	957378	5/1993	(JP)	.
790138	4/1987	(JP)	.	935161	7/1993	(JP)	.
864115	7/1987	(JP)	.	976309	12/1993	(JP)	.
771943	9/1987	(JP)	.	967079	2/1994	(JP)	.
820175	10/1987	(JP)	.	985420	1/1995	(JP)	.
825601	3/1988	(JP)	.	1002131	3/1995	(JP)	.
851551	9/1988	(JP)	.	1002132	3/1995	(JP)	.
821991	12/1989	(JP)	.	995486	9/1995	(JP)	.
878531	4/1990	(JP)	.	983464	10/1995	(JP)	.
935051	5/1990	(JP)	.	985500	12/1995	(JP)	.
853060	11/1990	(JP)	.	989612	12/1995	(JP)	.
924185	1/1991	(JP)	.	1028641	3/1996	(JP)	.
953132	1/1991	(JP)	.	1027216	9/1997	(JP)	.
899671	2/1991	(JP)	.	1026450	10/1997	(JP)	.
898434	9/1991	(JP)	.	1027848	10/1997	(JP)	.
899228	9/1991	(JP)	.	1027069	11/1997	(JP)	.
957375	1/1992	(JP)	.				

* cited by examiner

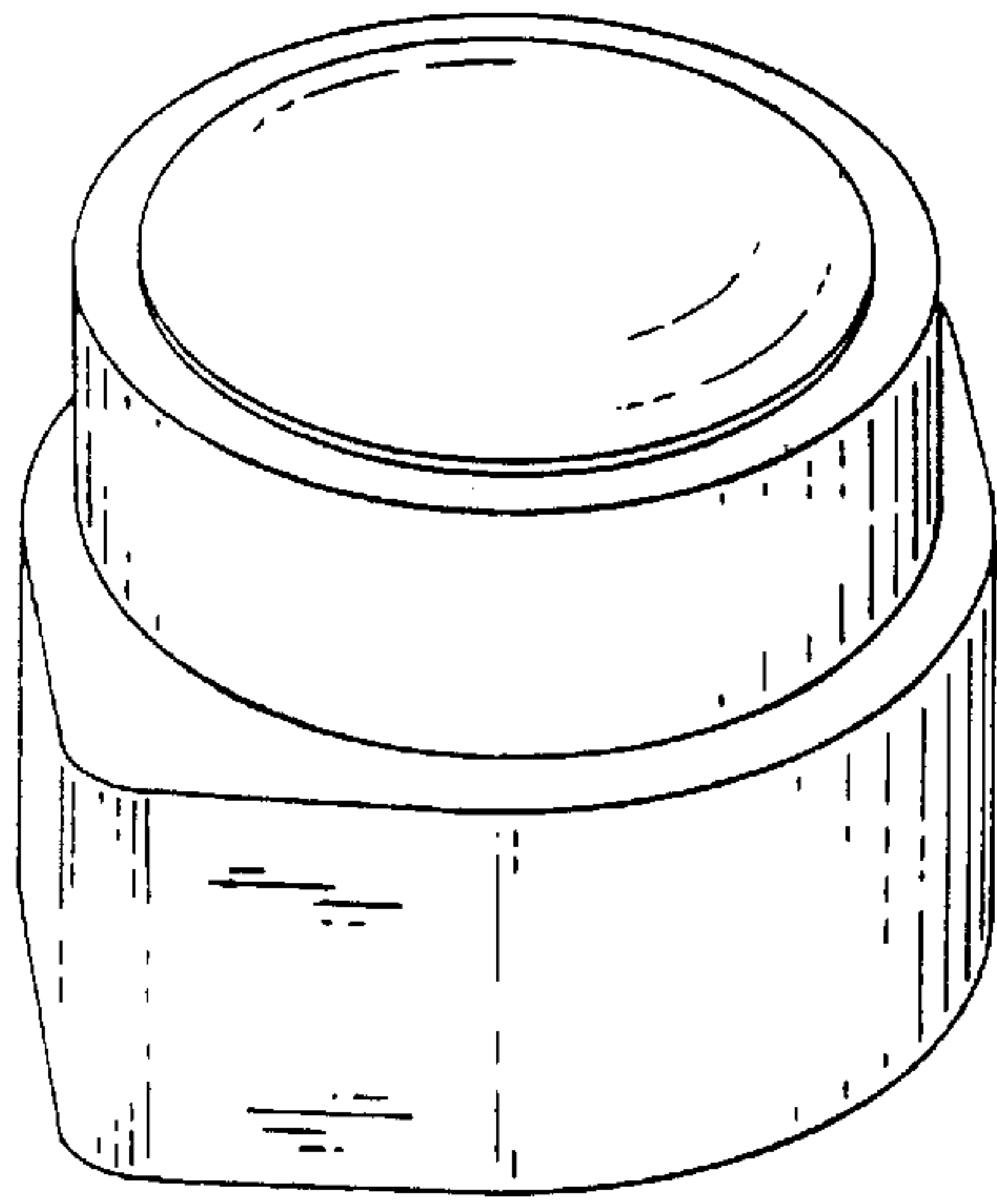


FIG. 1

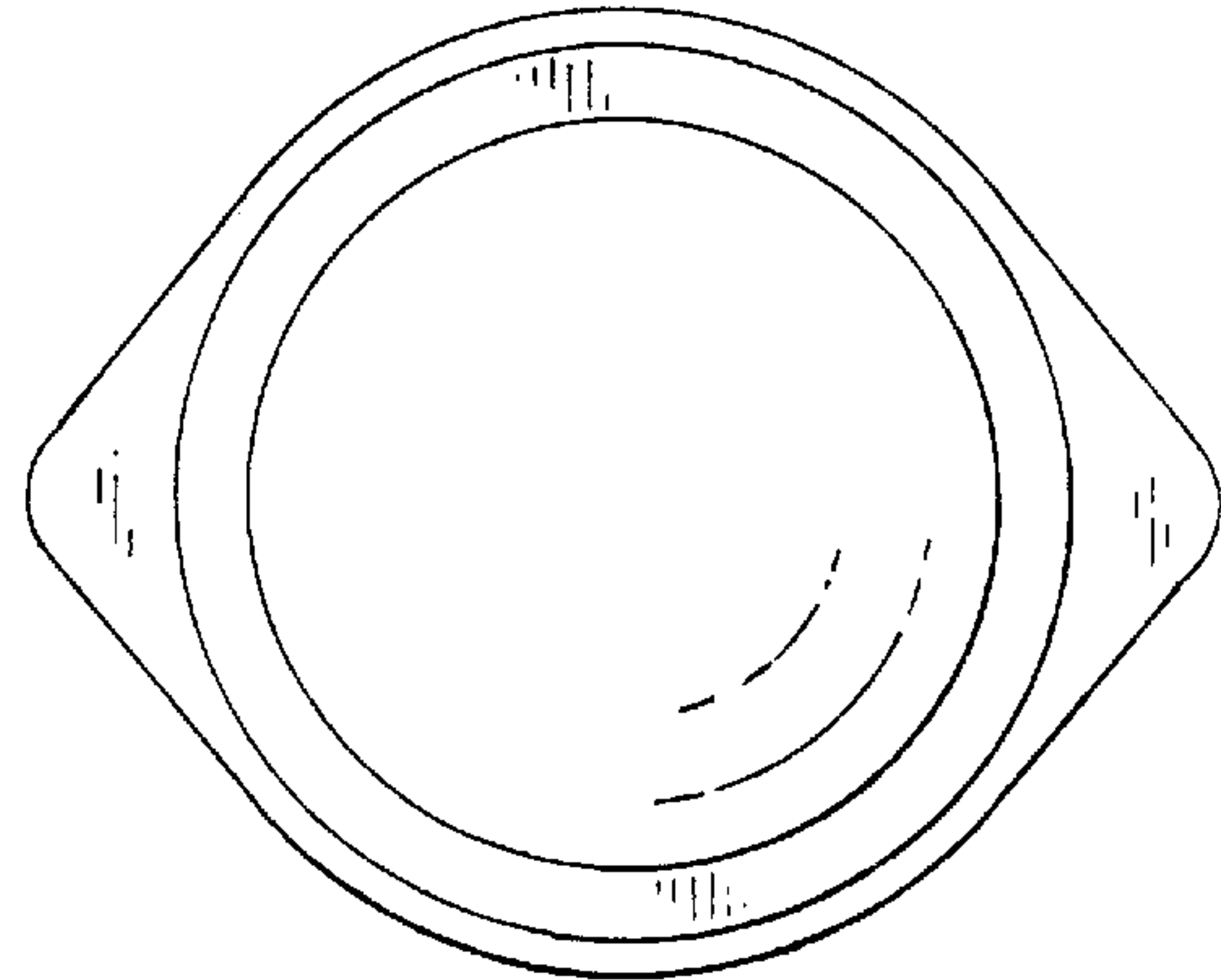


FIG. 2

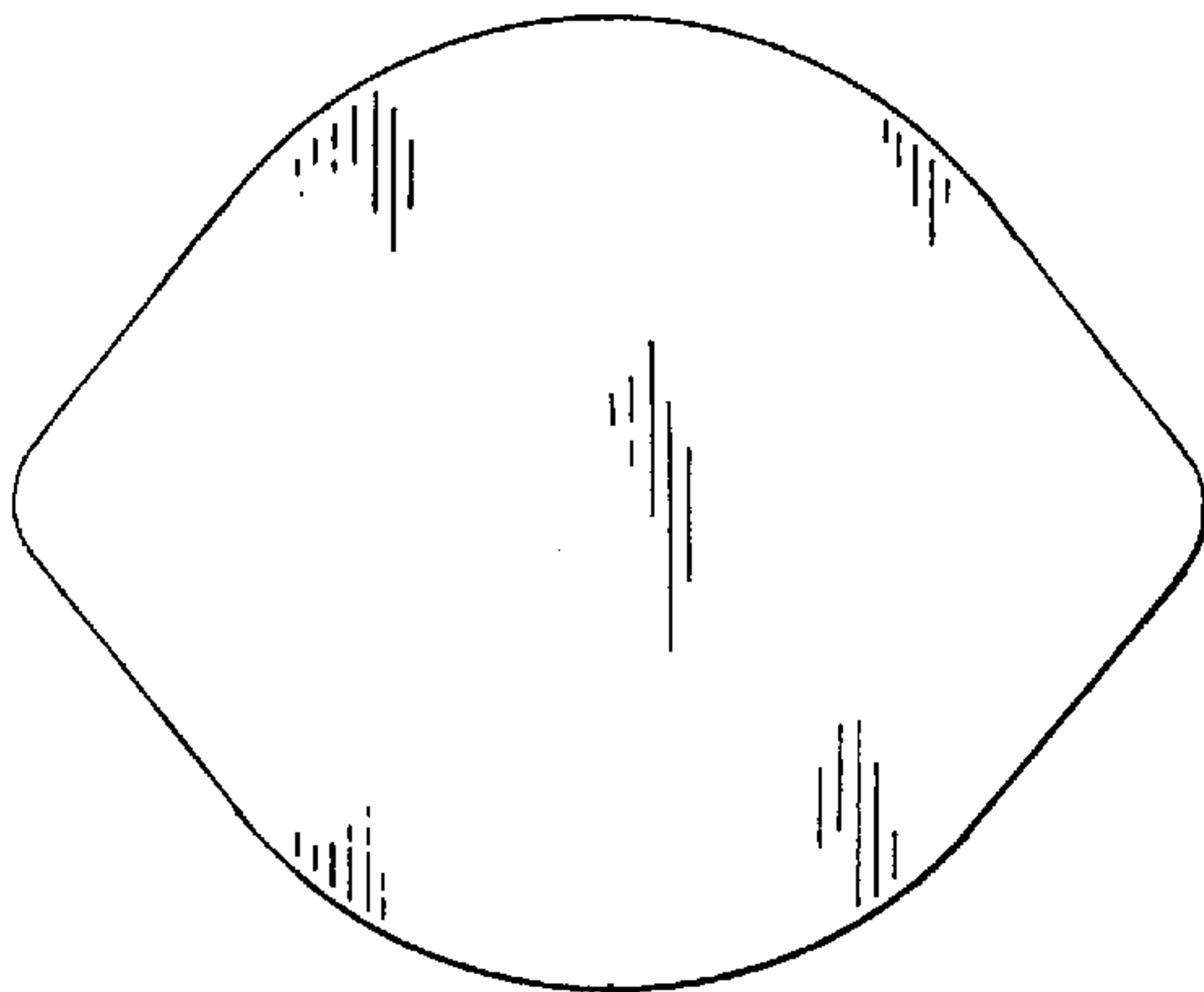


FIG. 3

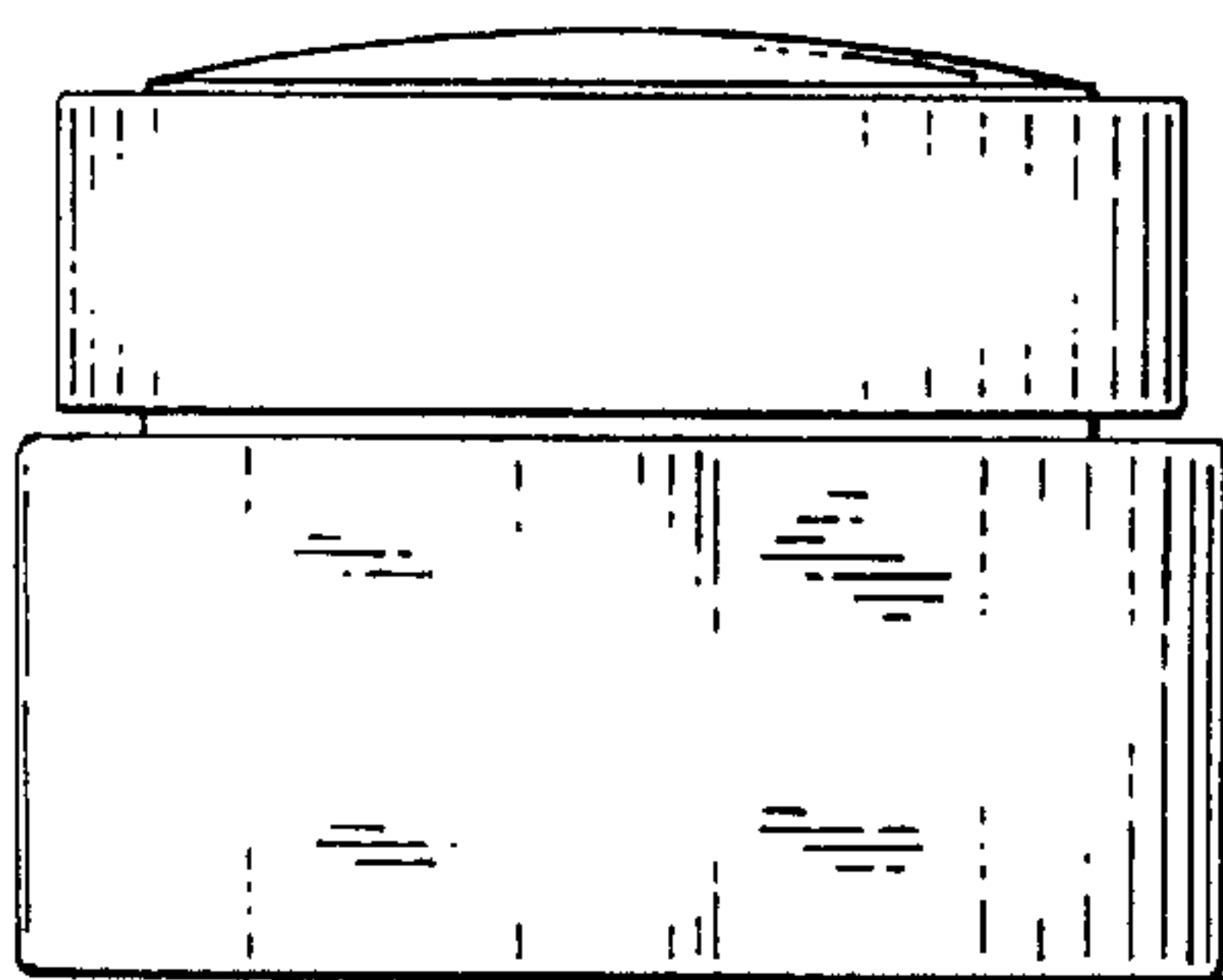


FIG. 5

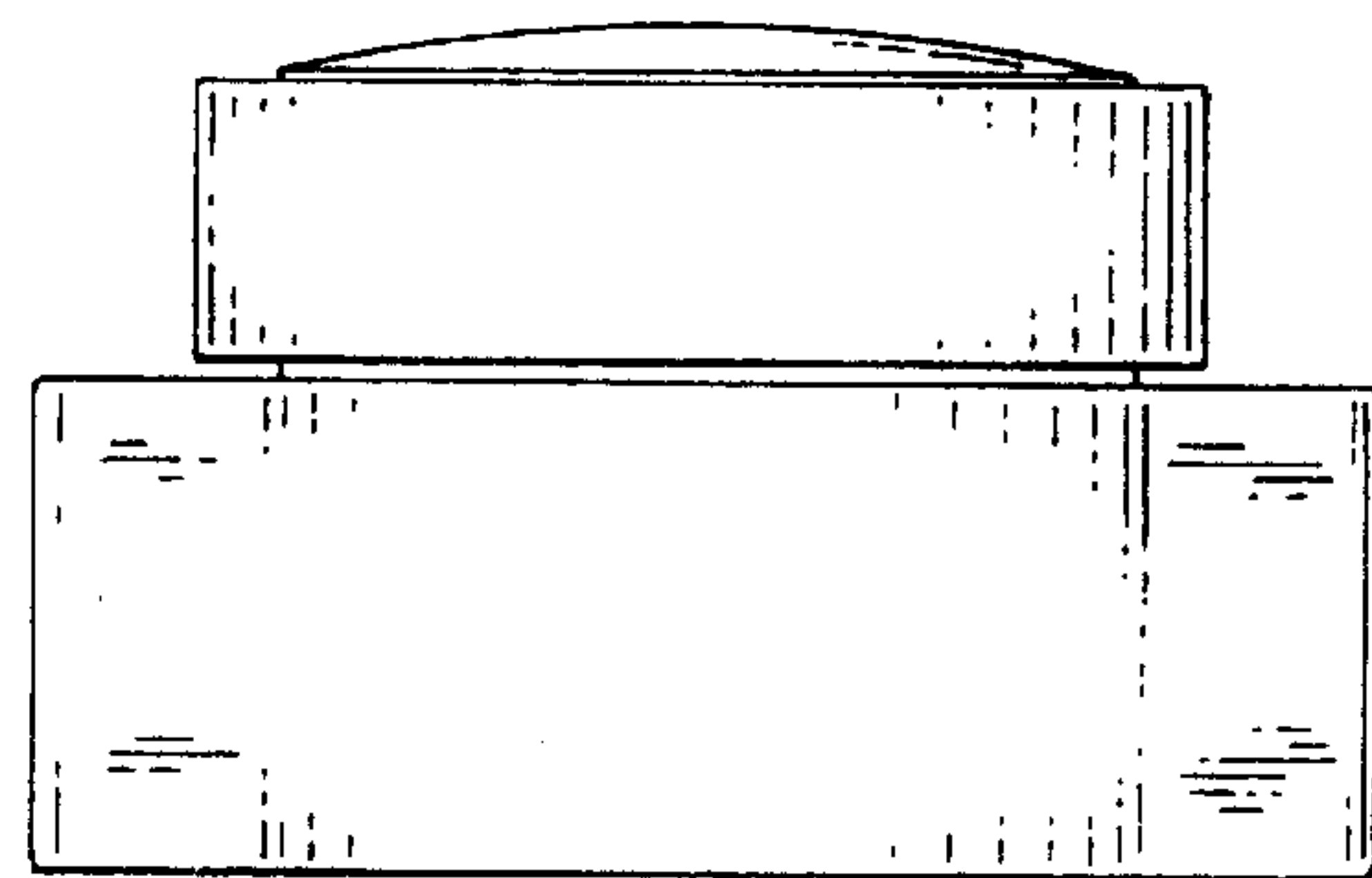


FIG. 4

UNITED STATES PATENT AND TRADEMARK OFFICE
CERTIFICATE OF CORRECTION

PATENT NO. : Des 452,160 S
DATED : December 18, 2001
INVENTOR(S) : Mark F. Mettler et al.

Page 1 of 1

It is certified that error appears in the above-identified patent and that said Letters Patent is hereby corrected as shown below:

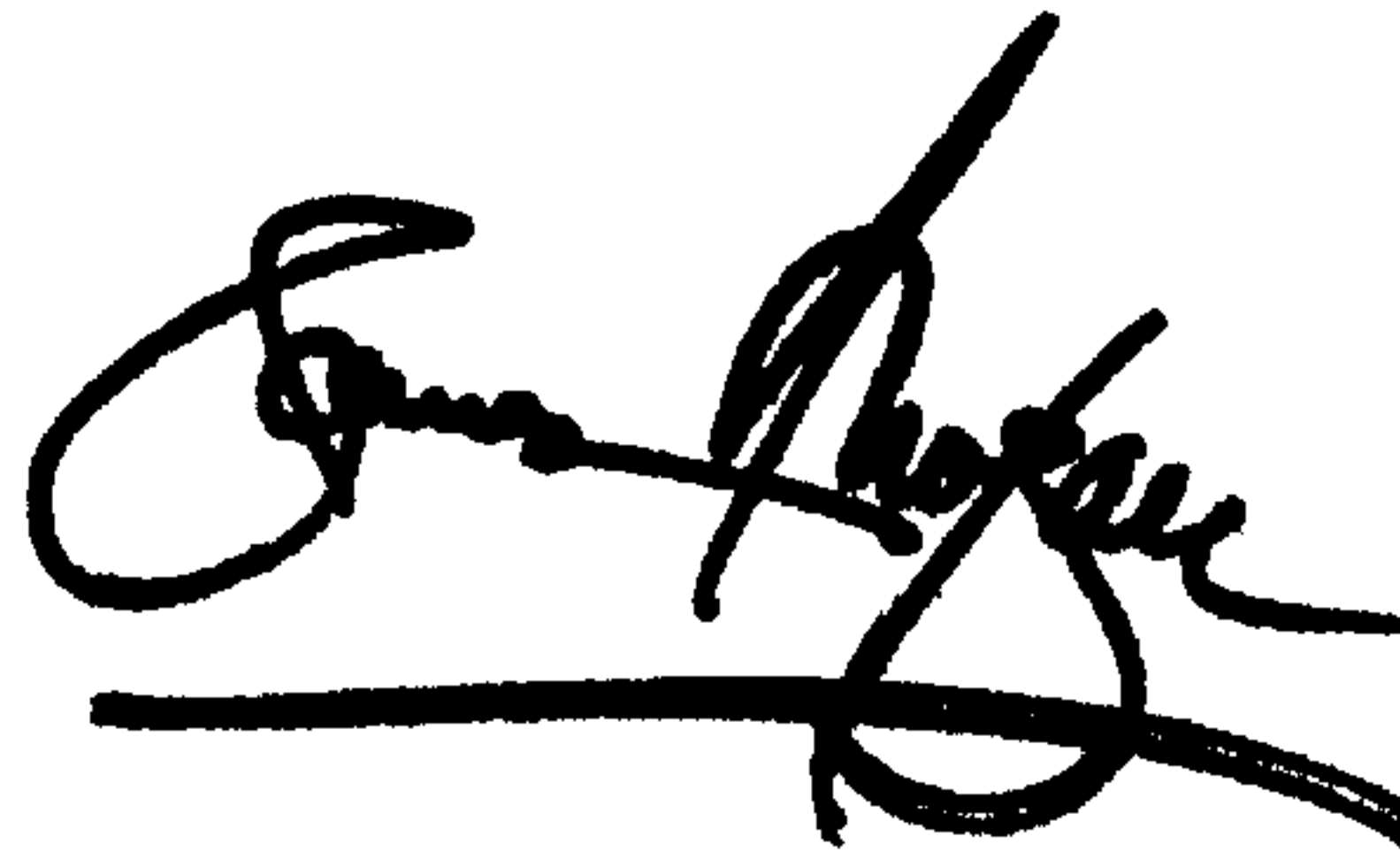
Title page,

Item [75], after "(US)," insert -- ; **Thierry F. DeBaschmakoff**, Paris, France --.

Signed and Sealed this

Thirteenth Day of August, 2002

Attest:



Attesting Officer

JAMES E. ROGAN
Director of the United States Patent and Trademark Office