



US00D452154B1

(12) **United States Design Patent**  
**Rhodes et al.**

(10) **Patent No.:** **US D452,154 S**

(45) **Date of Patent:** **\*\* Dec. 18, 2001**

(54) **BEVERAGE COOLER BOX**

(75) Inventors: **Terrance E. Rhodes**, Erie; **Brett Lee Schuetz**, Thornton; **Michael Christopher Cruz**, Patricia O. **Shibata**, both of Denver; **Lee Buxton**, Longmont; **Patrick B. Edson**, Lakewood; **Raymond Scott Kastanek**, Longmont; **Gary Lawrence Gresge**, Arvada; **Stephen Mark Kaczmarek**, Golden, all of CO (US)

(73) Assignees: **Coors Brewing Company**; **Graphic Packaging Corporation**, both of Golden, CO (US)

(\*\*) Term: **14 Years**

(21) Appl. No.: **29/139,015**

(22) Filed: **Mar. 21, 2001**

(51) **LOC (7) Cl.** ..... **09-03**

(52) **U.S. Cl.** ..... **D9/432; D7/605**

(58) **Field of Search** ..... **D7/605; D9/414, D9/420, 424, 430-432; 62/371, 372, 457.1, 457.5; 220/592.02, 592.1, 592.16, 915.1, 915.2; 229/117.12, 117.32, 117.35, 117.22, 117.14, 117.24, 207, 101, 103, 222, 229**

(56) **References Cited**

**U.S. PATENT DOCUMENTS**

D. 259,615	*	6/1981	Morris, Jr.	.....	D7/605
D. 281,120	*	10/1985	Rabinowitz	.....	D3/243
415,980		11/1889	Sachs	.	
975,792		11/1910	Pittman	.	
2,791,367		5/1957	Mefford	.....	229/41
2,810,506		10/1957	Kessler	.....	229/31
2,844,299		7/1958	Kessler et al.	.....	229/52
2,979,227		4/1961	Norton et al.	.....	220/105
3,006,165		10/1961	Mittelberger	.....	62/371
3,031,121	*	4/1962	Chase	.....	220/915.1
3,119,494		1/1964	Rosenstiel	.....	206/46
3,974,658	*	8/1976	Starrett	.....	220/592.02 X
4,328,923		5/1982	Graser	.....	229/33

4,530,459	*	7/1985	Maroszek	.....	229/117.12 X
4,706,805		11/1987	Becher	.....	206/144
4,777,992		10/1988	Olger	.....	150/52 R
4,858,444		8/1989	Scott	.....	62/372
5,020,337		6/1991	Krieg	.....	62/464
5,094,359		3/1992	Demars et al.	.....	220/462
5,101,642		4/1992	Alexandrov	.....	62/371
5,303,863		4/1994	Arasim	.....	229/227
5,495,727		3/1996	Strong et al.	.....	62/529

\* cited by examiner

*Primary Examiner*—Terry A. Wallace

(74) *Attorney, Agent, or Firm*—Sheridan Ross P.C.

(57) **CLAIM**

The ornamental design for a beverage cooler box, as shown and described.

**DESCRIPTION**

FIG. 1 is a perspective view of the beverage cooler box of the invention, showing my new design;

FIG. 2 is a front elevation view of the invention shown in FIG. 1;

FIG. 3 is a rear elevation view of the invention shown in FIG. 1;

FIG. 4 is a top plan view of the invention shown in FIG. 1;

FIG. 5 is a bottom plan view of the invention shown in FIG. 1;

FIG. 6 is a side elevation view of the invention shown in FIG. 1, the right and left side elevation views being symmetrical and identical;

FIG. 7 is a perspective view of the invention shown in an open position;

FIG. 8 is a front elevation view of the invention shown in FIG. 7;

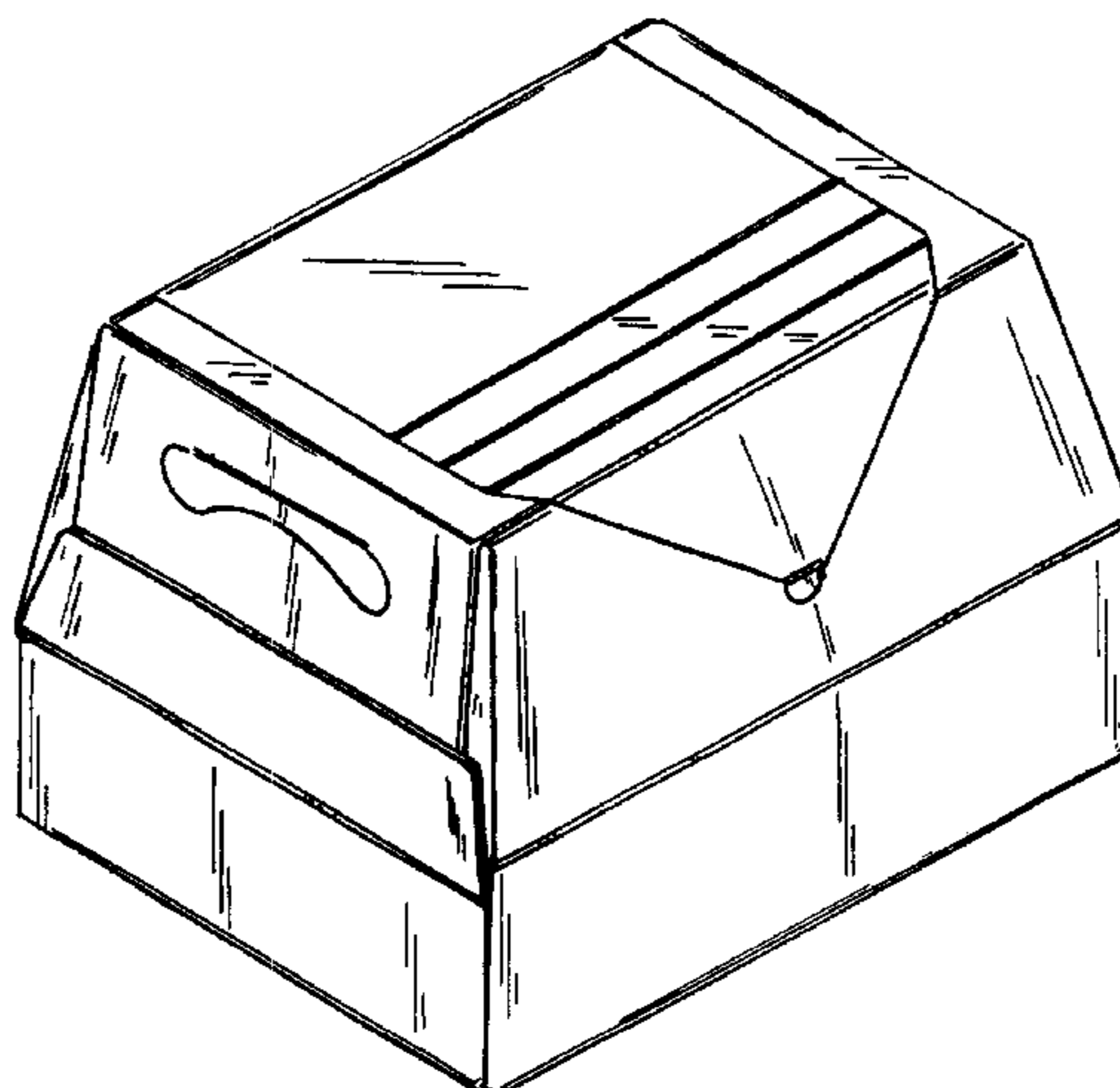
FIG. 9 is a rear elevation view of the invention shown in FIG. 7;

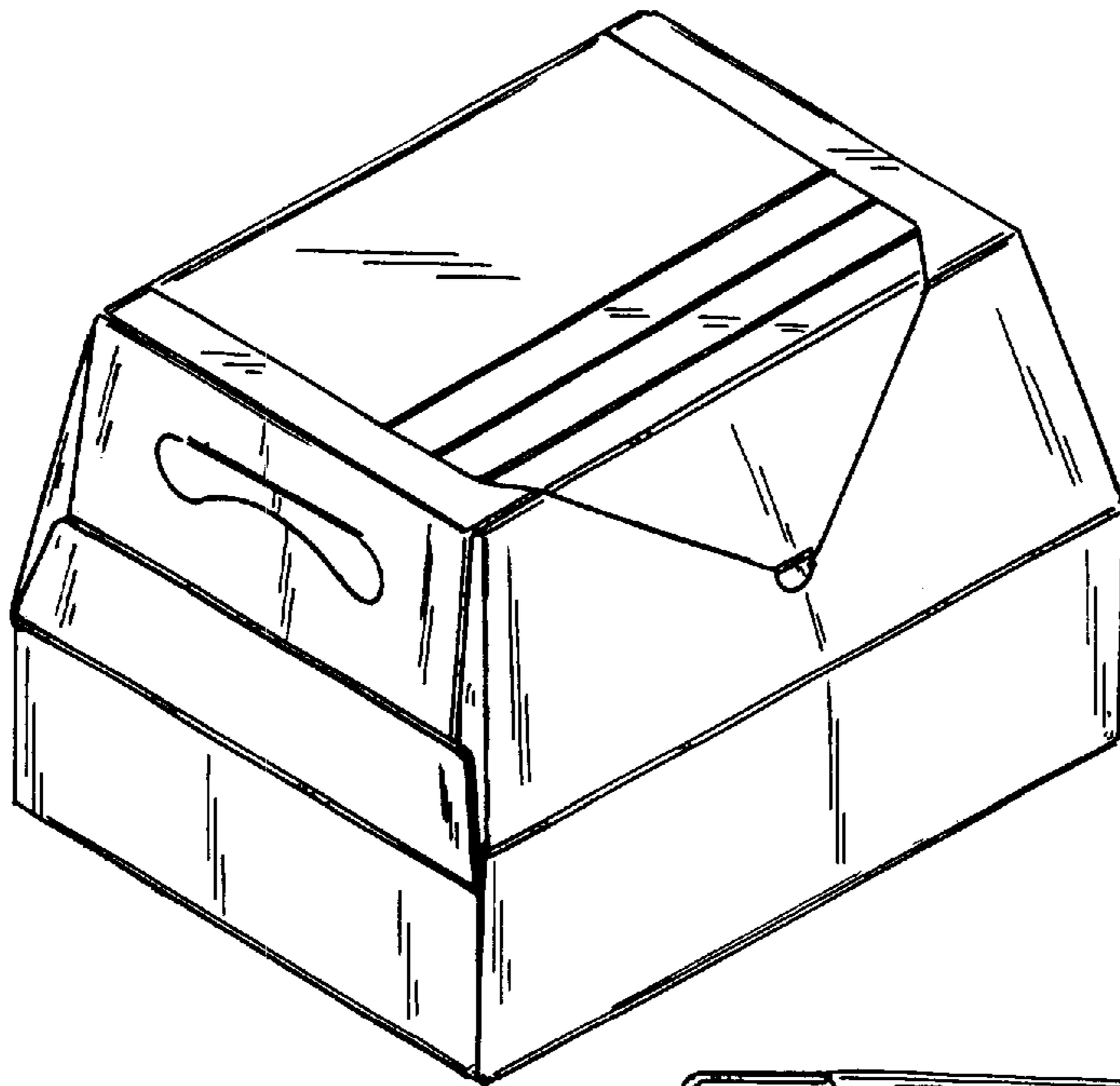
FIG. 10 is a top plan view of the invention shown in FIG. 7;

FIG. 11 is a bottom plan view of the invention shown in FIG. 7; and,

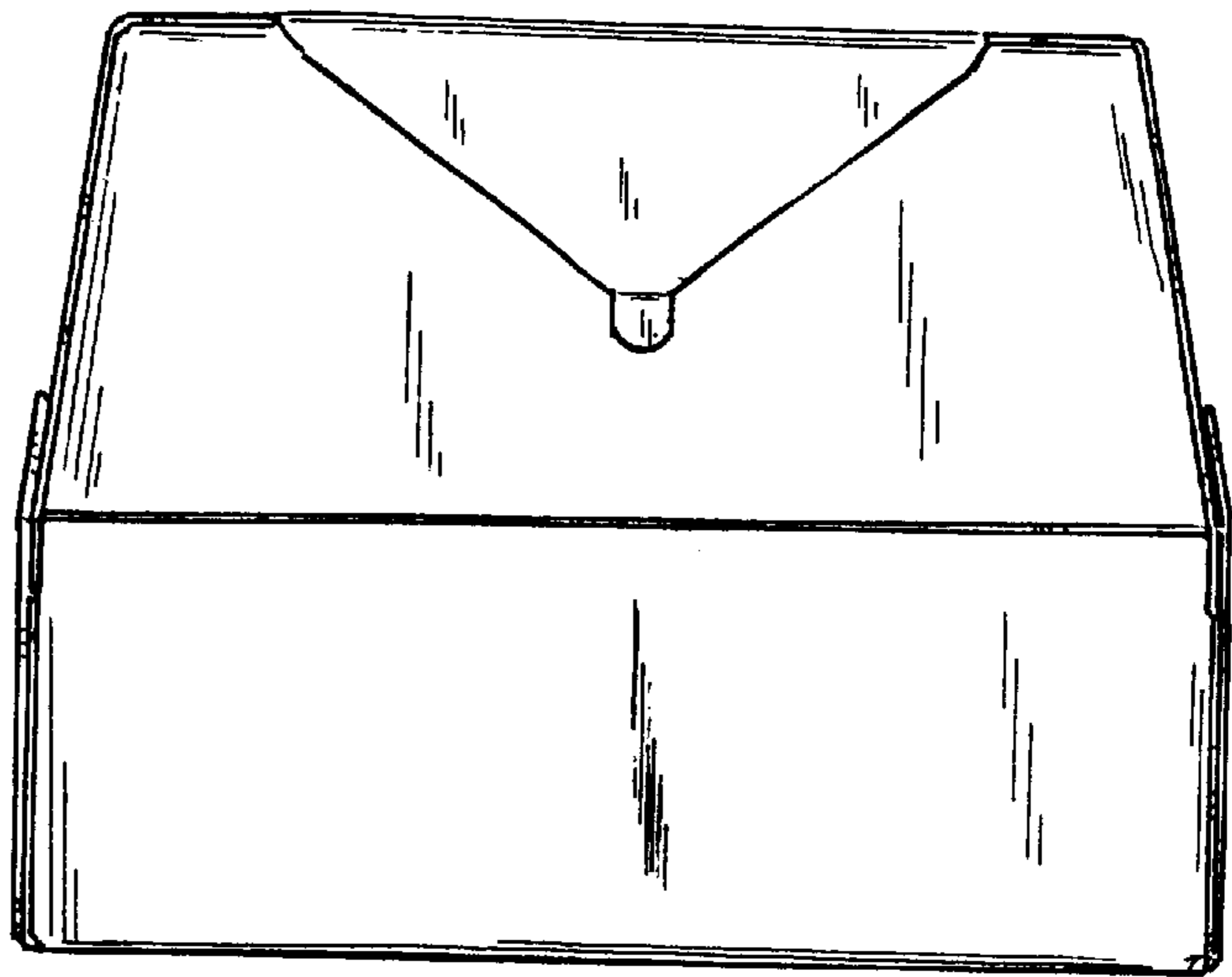
FIG. 12 is a left side elevation view of the invention shown in FIG. 7; the right side elevation view being symmetrical and identical.

**1 Claim, 5 Drawing Sheets**

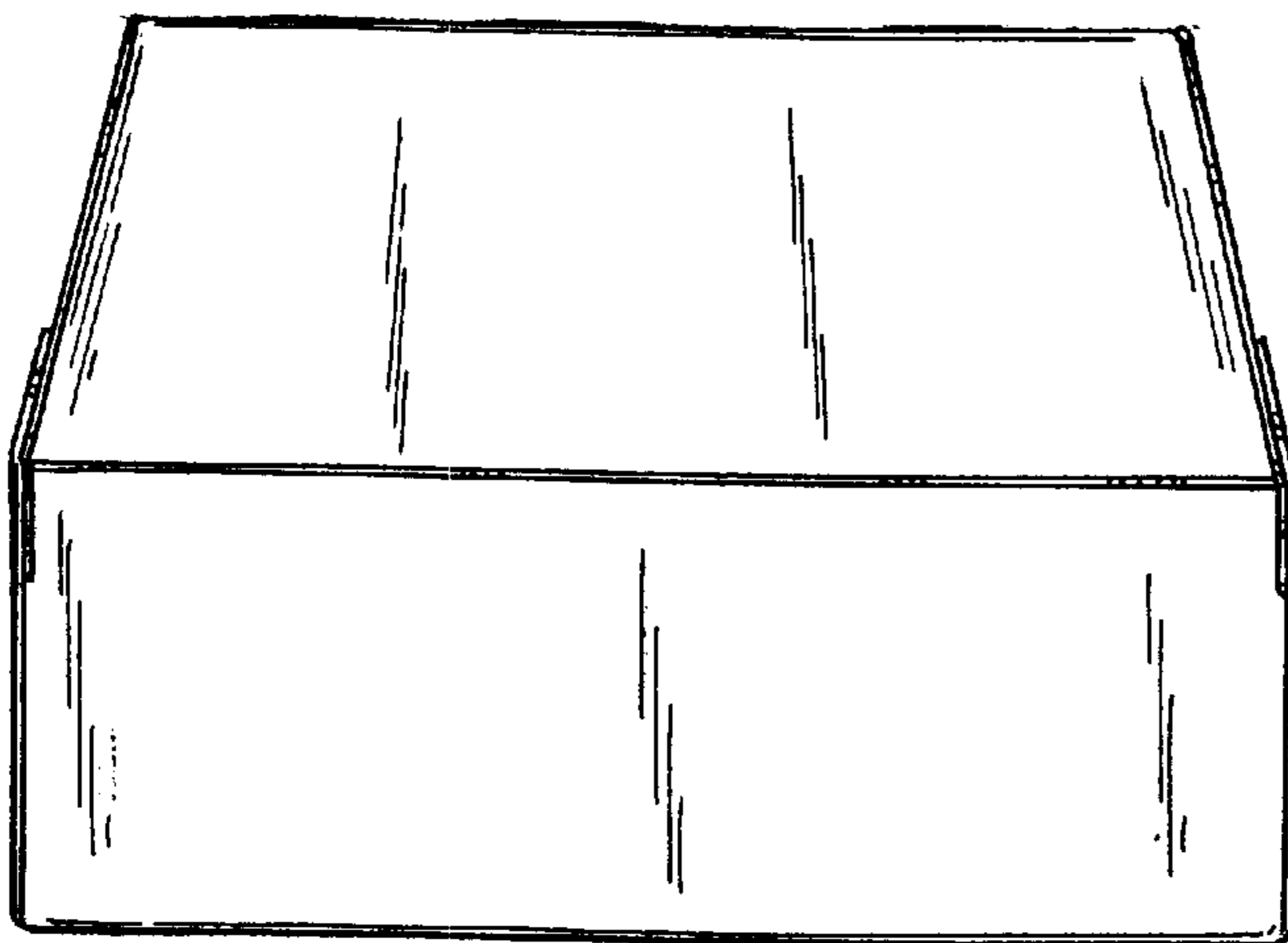




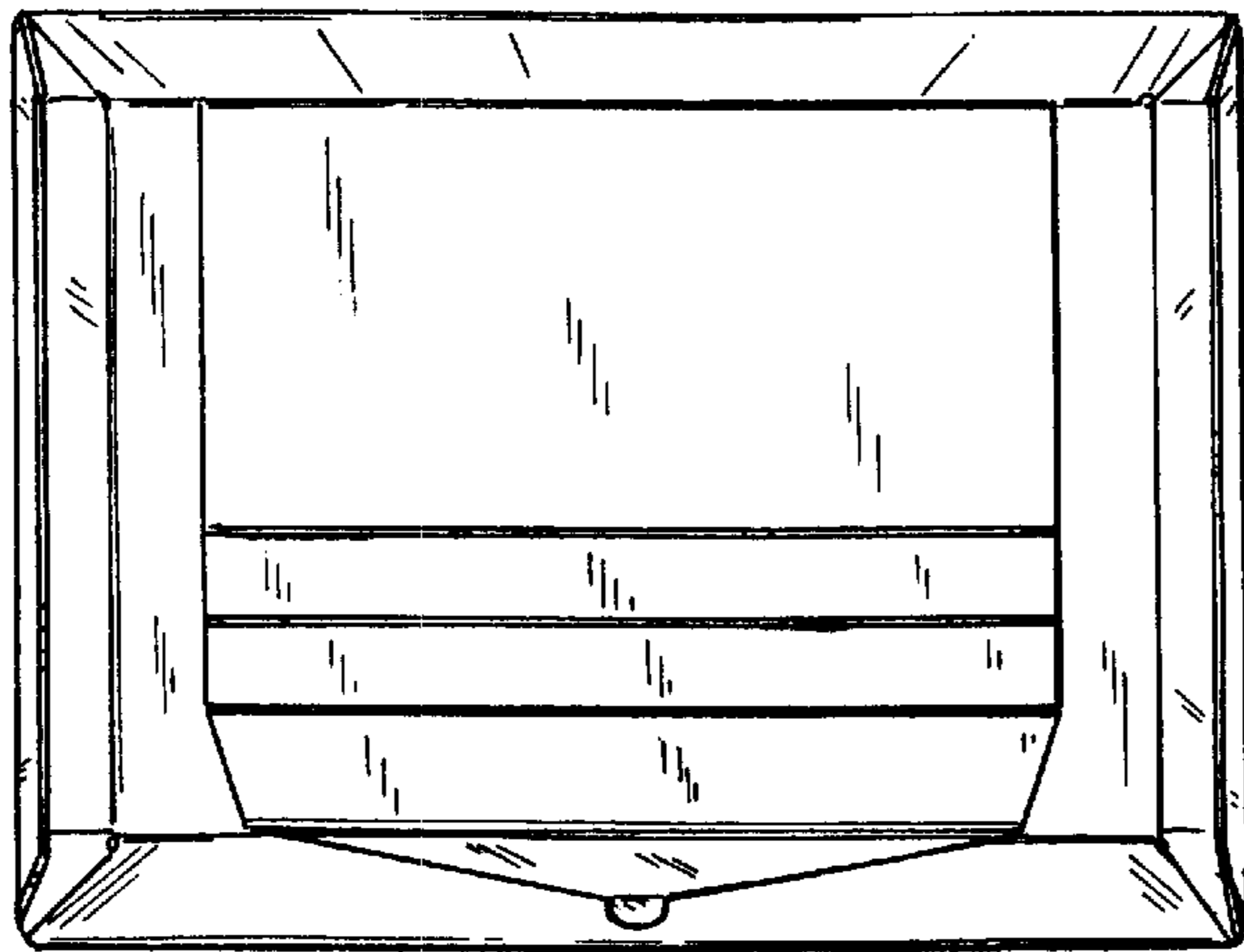
*Fig\_1*



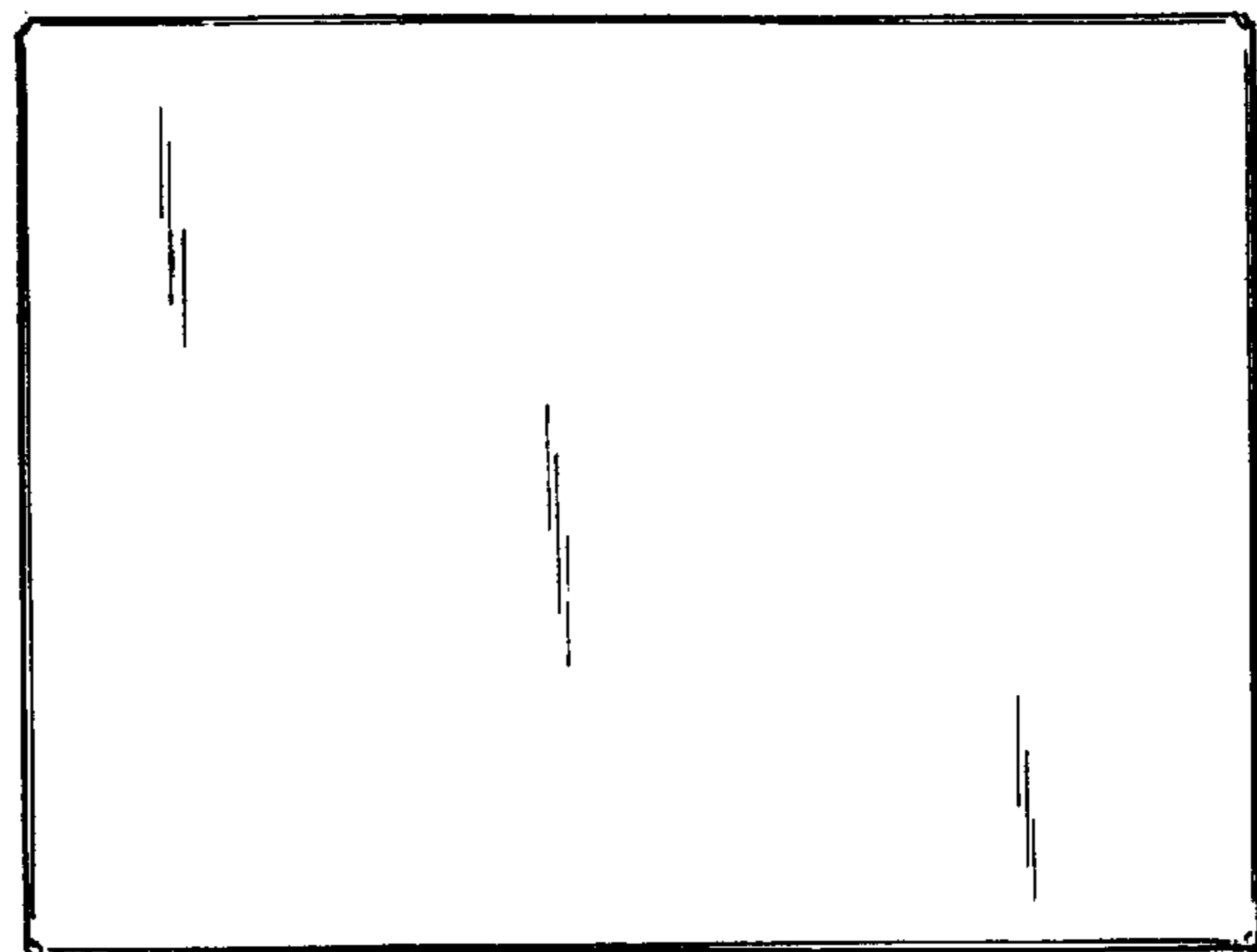
*Fig\_2*



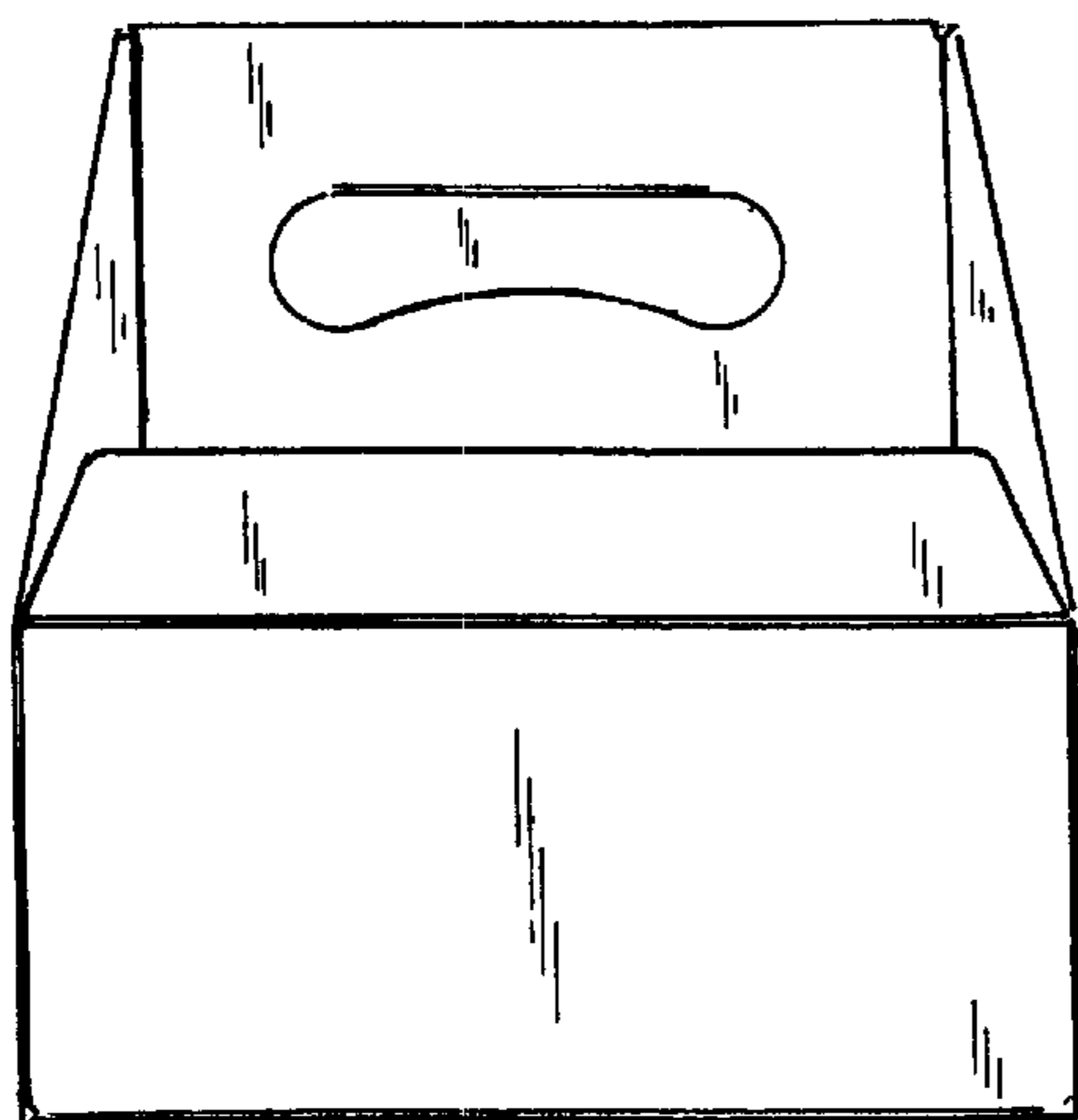
*Fig\_3*



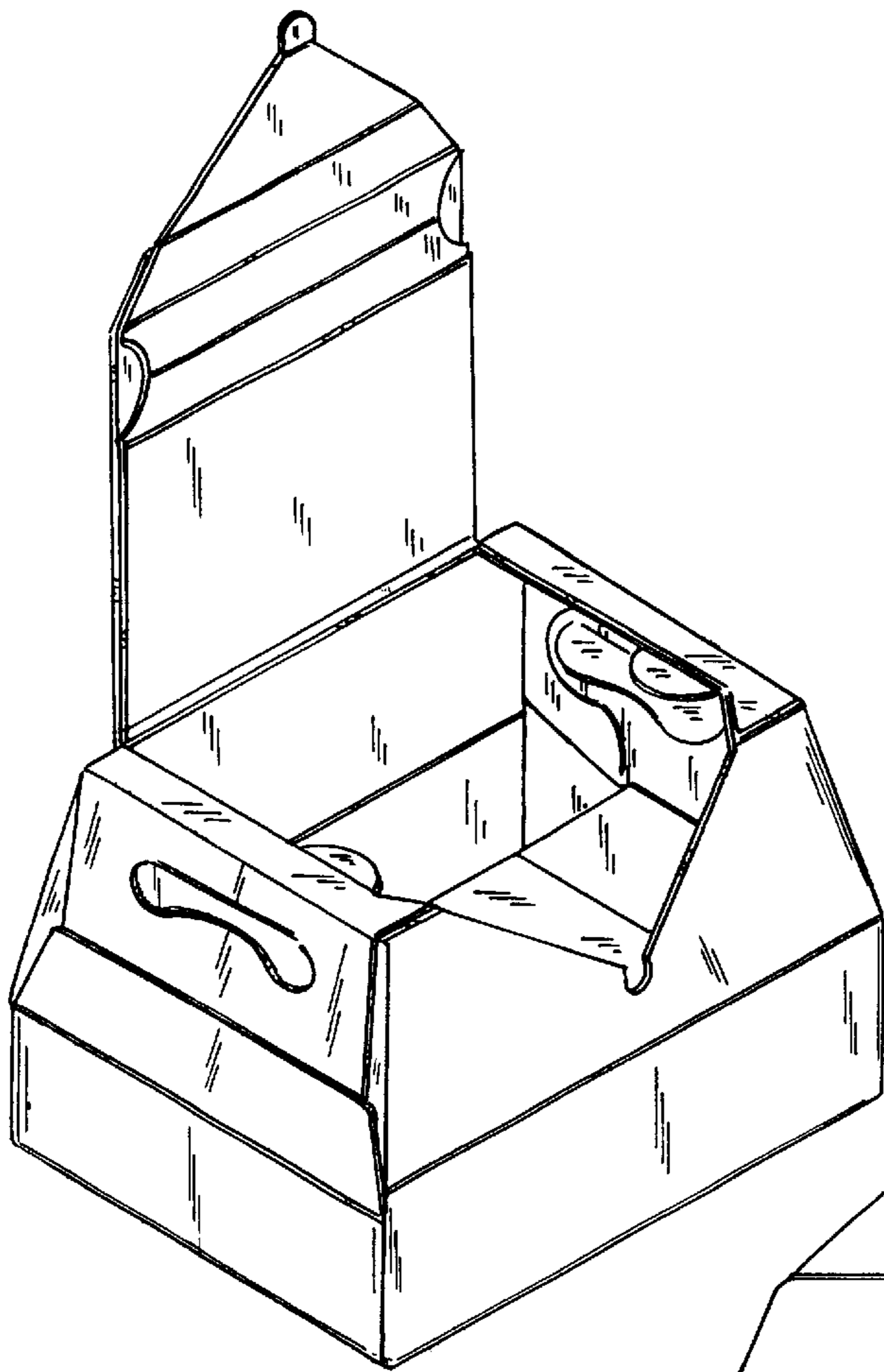
*Fig\_4*



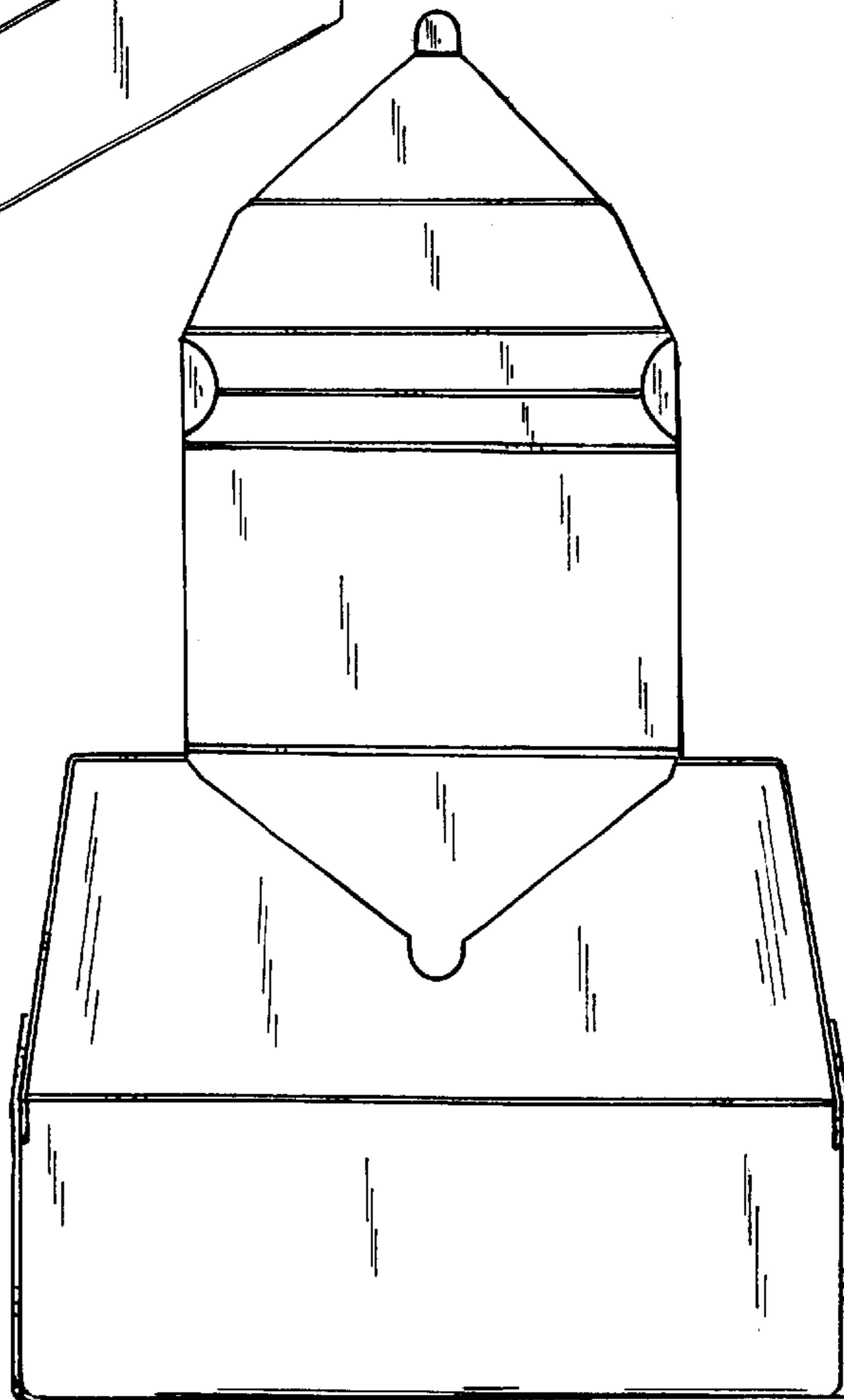
*Fig\_5*



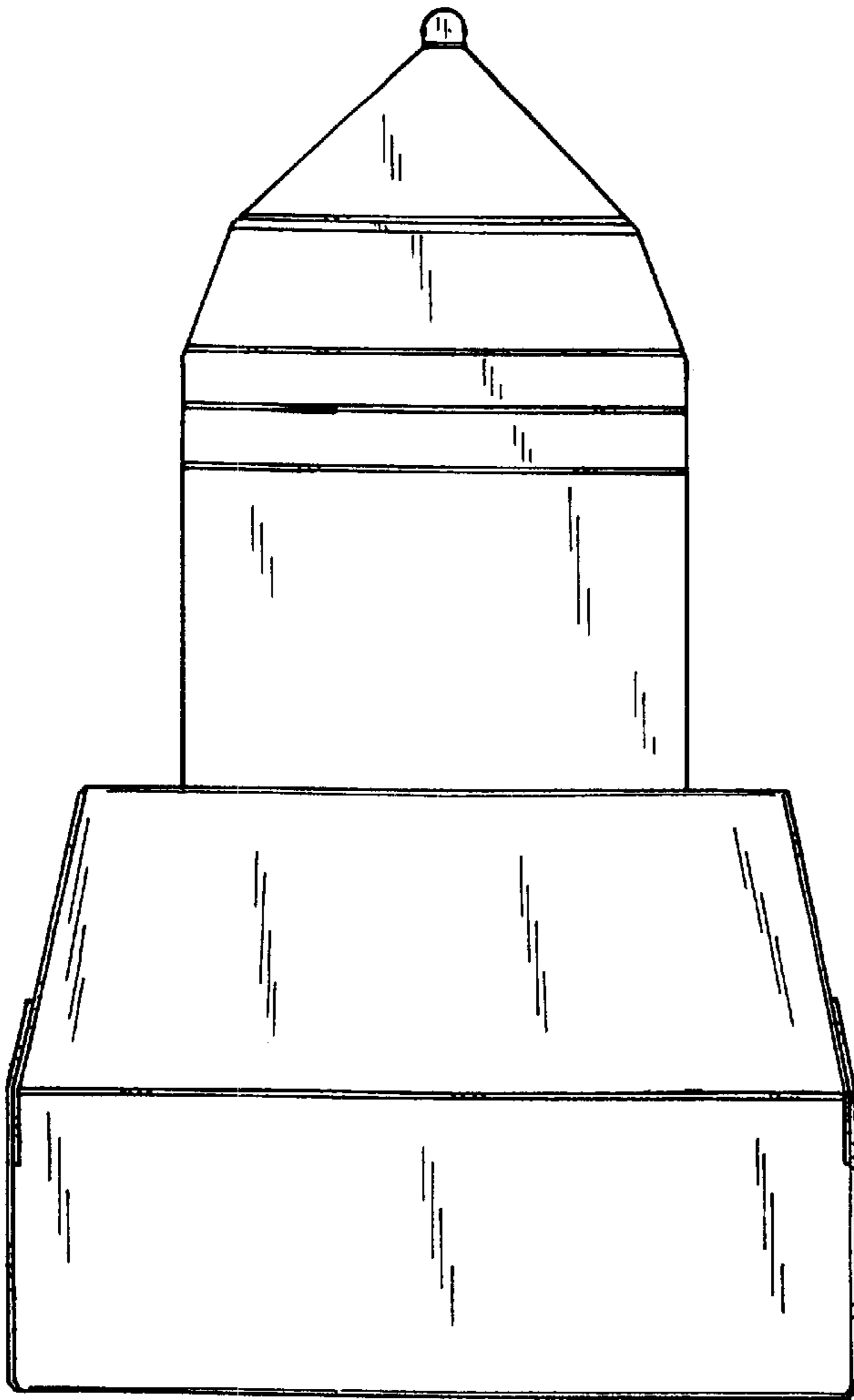
*Fig\_6*



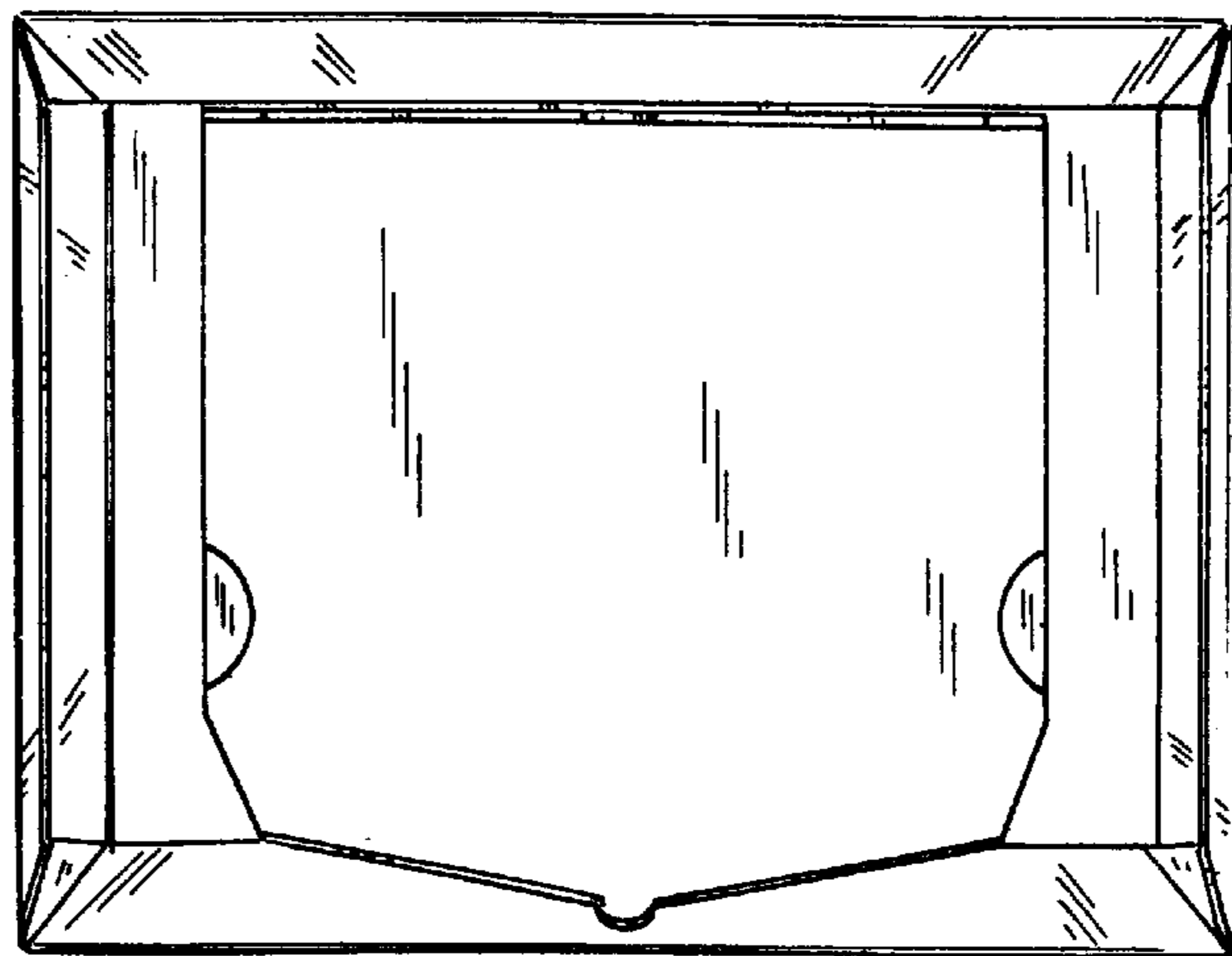
*Fig. 7*



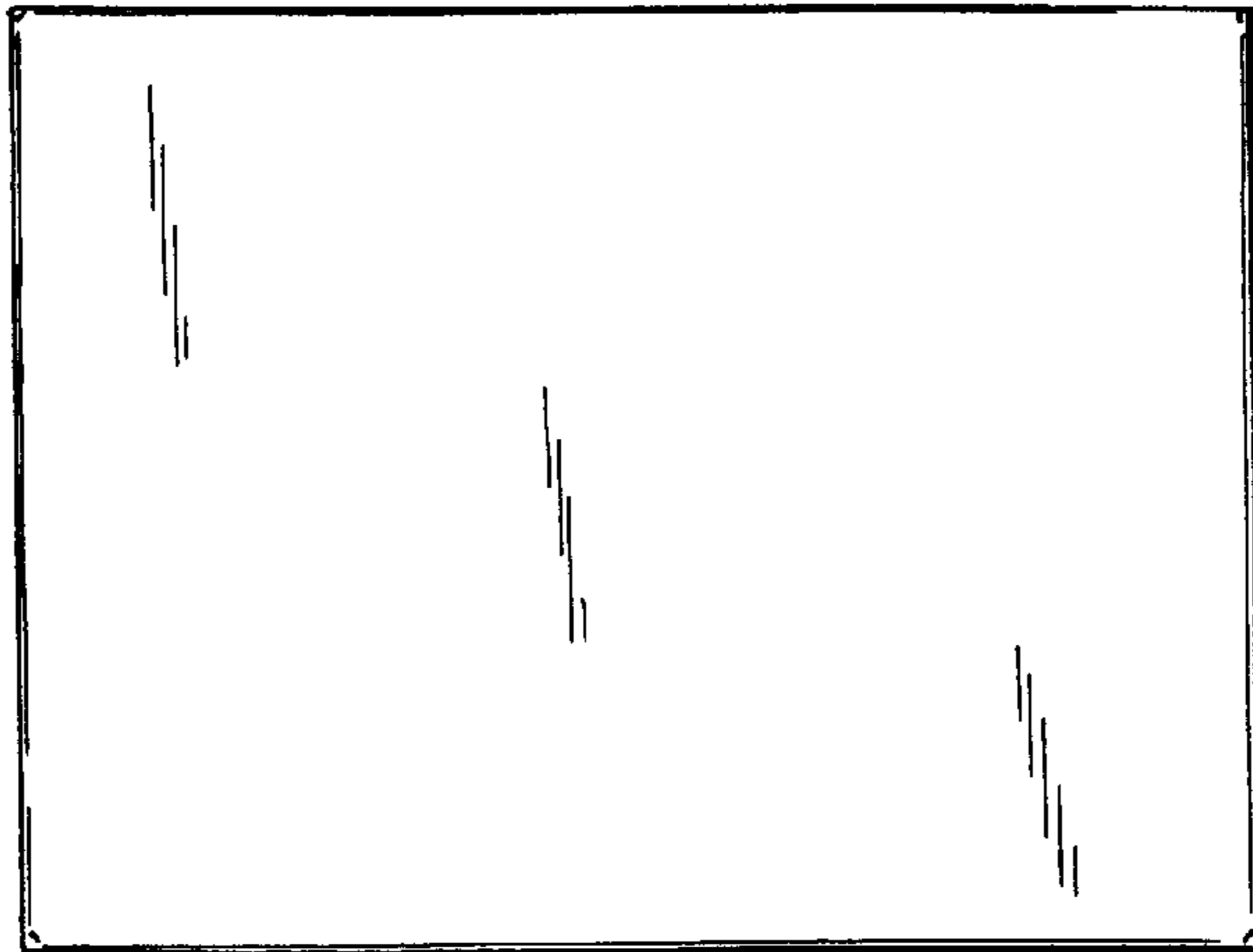
*Fig. 8*



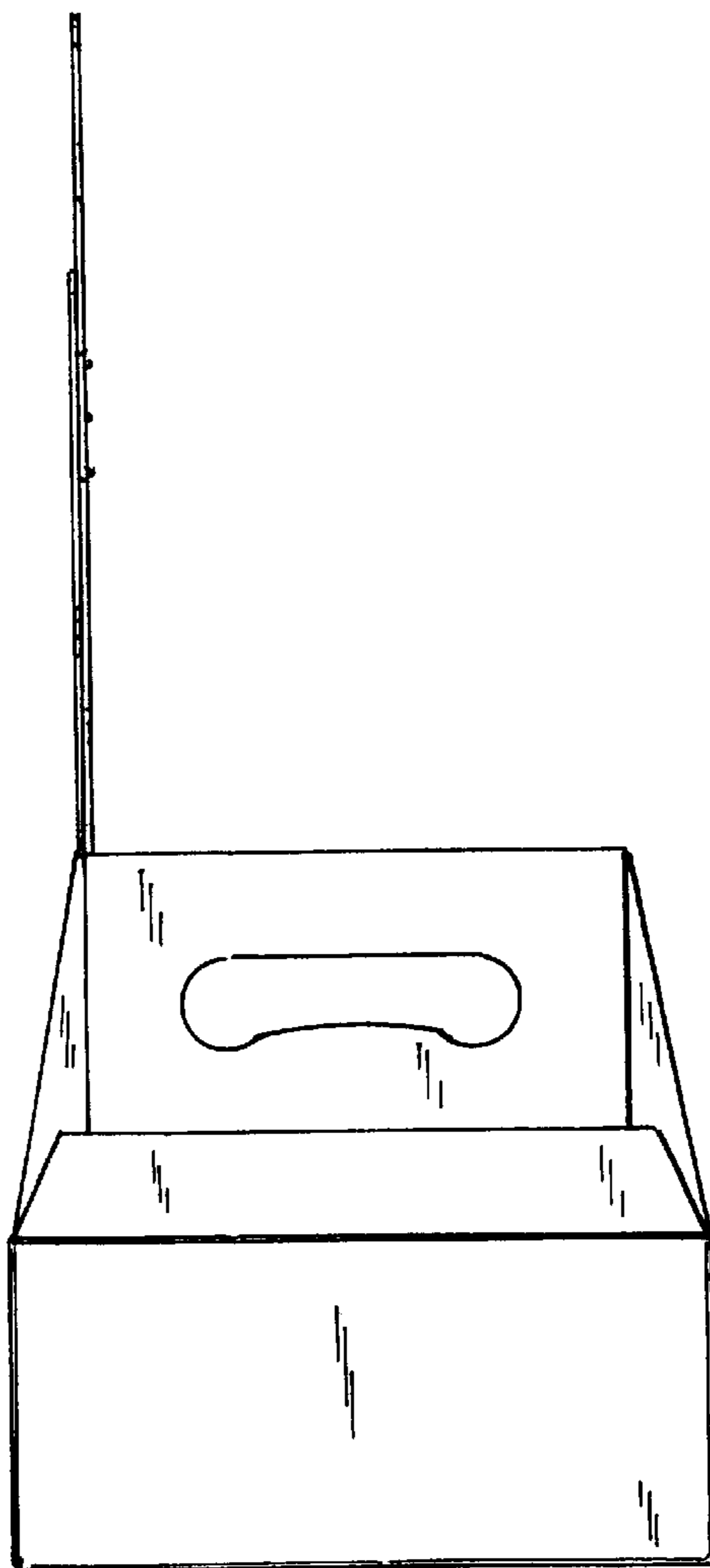
*Fig\_9*



*Fig\_10*



*Fig\_11*



*Fig\_12*

UNITED STATES PATENT AND TRADEMARK OFFICE  
**CERTIFICATE OF CORRECTION**

PATENT NO. : Des 452,154 S  
DATED : December 18, 2001  
INVENTOR(S) : Rhodes et al.

Page 1 of 1

It is certified that error appears in the above-identified patent and that said Letters Patent is hereby corrected as shown below:

Column 2,

Line 18, Figure 1, after "showing my" delete "my" and insert -- our -- therein.

Signed and Sealed this

Seventh Day of May, 2002

*Attest:*



*Attesting Officer*

JAMES E. ROGAN  
*Director of the United States Patent and Trademark Office*