



US00D452153B1

(12) **United States Design Patent**
Dardashti

(10) **Patent No.:** **US D452,153 S**

(45) **Date of Patent:** **** Dec. 18, 2001**

(54) **TRANSPARENT DISPLAY AND STORAGE BOX**

(76) **Inventor:** **Shahriar Dardashti**, c/o Atlantic, Inc.,
P.O. Box 2399, Santa Fe Springs, CA
(US) 90670

(**) **Term:** **14 Years**

(21) **Appl. No.:** **29/134,170**

(22) **Filed:** **Dec. 14, 2000**

Related U.S. Application Data

(62) Division of application No. 29/115,119, filed on Dec. 8, 1999, now Pat. No. Des. 444,061.

(51) **LOC (7) Cl.** **09-03**

(52) **U.S. Cl.** **D9/430**

(58) **Field of Search** D9/337, 415, 418,
D9/424, 430-433; 229/108, 115; 206/551;
D6/407, 468, 474

(56) **References Cited**

U.S. PATENT DOCUMENTS

Re. 33,294 * 8/1990 Fujii et al. 206/387.1
D. 290,444 * 6/1987 Osborne D9/418

(List continued on next page.)

OTHER PUBLICATIONS

Prior Art—FIG. 1, FIG. 2, FIG. 3.

Primary Examiner—Adir Aronovich

Assistant Examiner—Carol Rademaker

(74) *Attorney, Agent, or Firm*—Oppenheimer Wolff & Donnelly LLP

(57) **CLAIM**

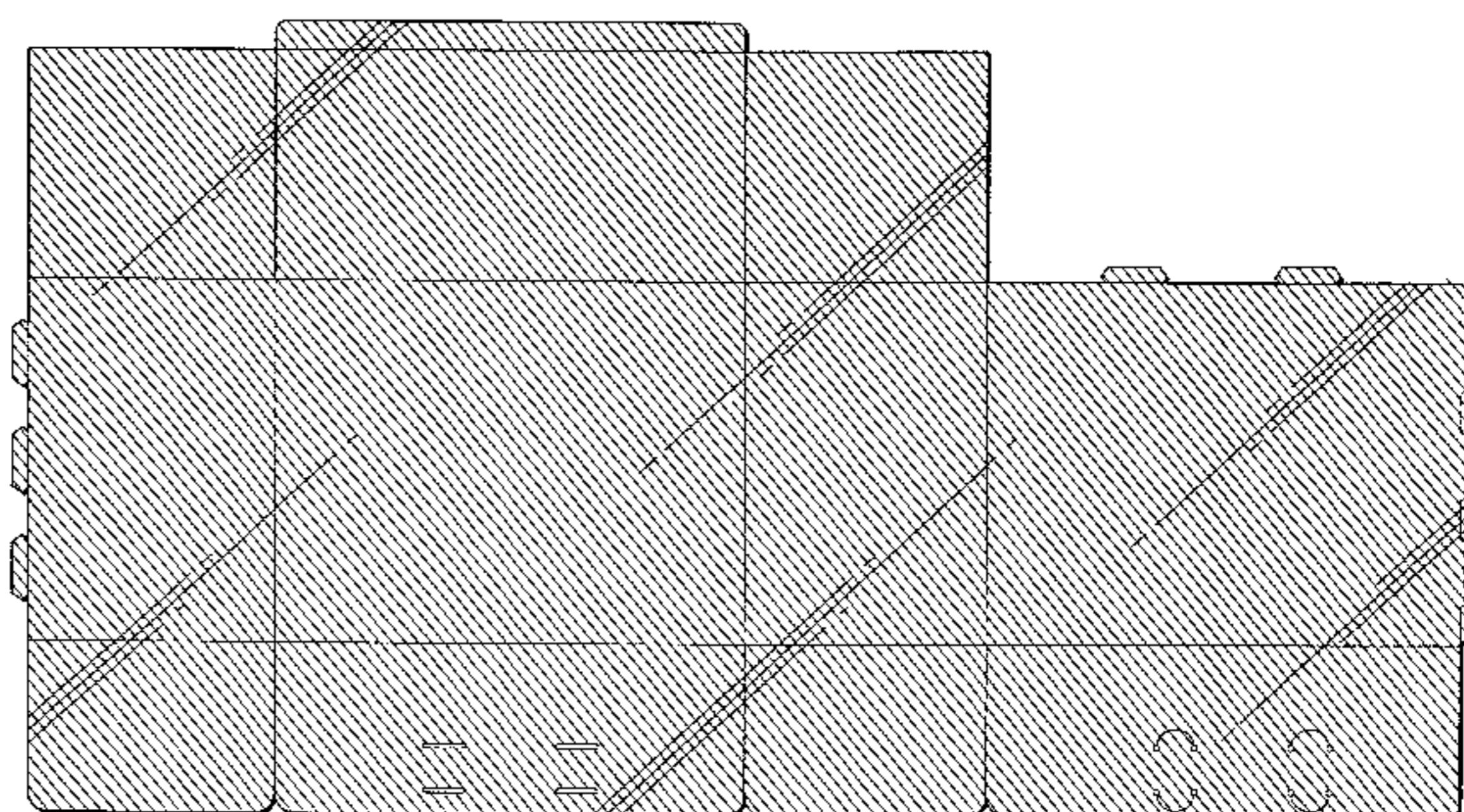
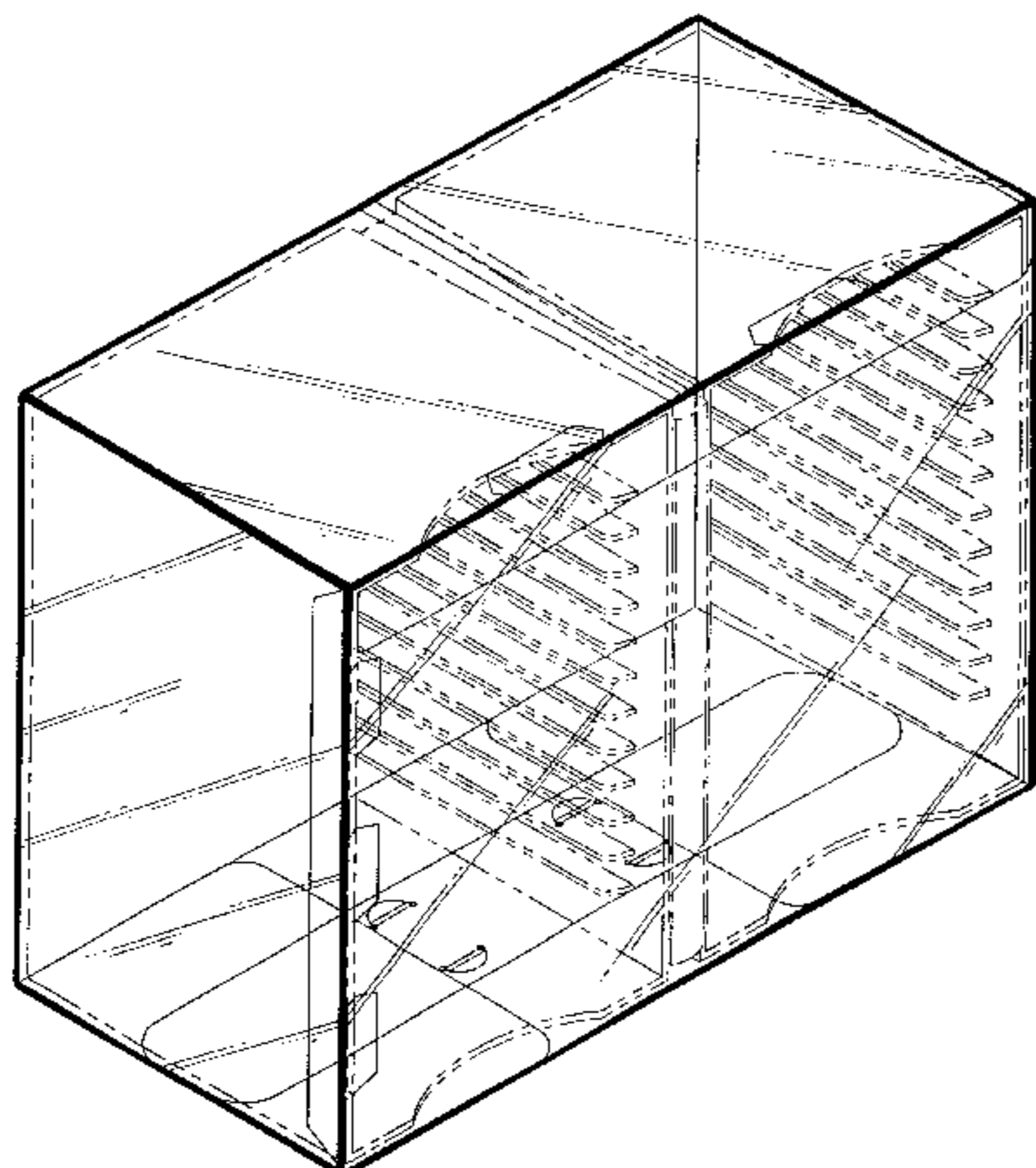
The ornamental design for a transparent display and storage box, as shown and described.

DESCRIPTION

FIG. 1 is a perspective view of a transparent display and

storage box of the present invention; FIG. 2 is a front elevational view thereof; FIG. 3 is an enlarged view taken on circle 3 of FIG. 2; FIG. 4 is a cross-sectional view taken on line 4—4 of FIG. 3; FIG. 5 is an enlarged view taken on circle 5 of FIG. 2; FIG. 6 is a cross-sectional view taken on line 6—6 of FIG. 5; FIG. 7 is a left side elevational view of the box; FIG. 8 is an enlarged view taken on circle 8 of FIG. 7; FIG. 9 is a cross-sectional view taken on line 9—9 of FIG. 8; FIG. 10 is an enlarged view taken on circle 10 of FIG. 7; FIG. 11 is a cross-sectional view taken on line 11—11 of FIG. 10; FIG. 12 is a right side elevational view of the box; FIG. 13 is an enlarged view taken on circle 13 of FIG. 12; FIG. 14 is a cross-sectional view taken on line 14—14 of FIG. 13; FIG. 15 is a top plan view of the box; FIG. 16 is an enlarged view taken on circle 16 of FIG. 15; FIG. 17 is a cross-sectional view taken on line 17—17 of FIG. 16; FIG. 18 is an enlarged view taken on circle 18 of FIG. 15; FIG. 19 is a cross-sectional view taken on line 19—19 of FIG. 18; FIG. 20 is a bottom plan view of the box; FIG. 21 is an enlarged view taken on circle 21 of FIG. 20; FIG. 22 is a cross-sectional view taken on line 22—22 of FIG. 21; FIG. 23 is an enlarged view taken on circle 23 of FIG. 20; FIG. 24 is a cross-sectional view taken on line 24—24 of FIG. 23; and, FIG. 25 is a top plan view of the box shown in an unfolded flat position. The dotted line showing of a CD rack in FIG. 1 is for environmental purposes only and forms no part of the claimed design. The pattern of ribs on the transparent display and storage box, shown in FIG. 25 in unfolded condition, and in the enlarged views of FIGS. 3-6, 8-11, 13, 14, 16-19 and 21-24 has been omitted in FIGS. 1, 2, 7, 12, 15 and 20 for clarity of illustration.

1 Claim, 6 Drawing Sheets



US D452,153 S

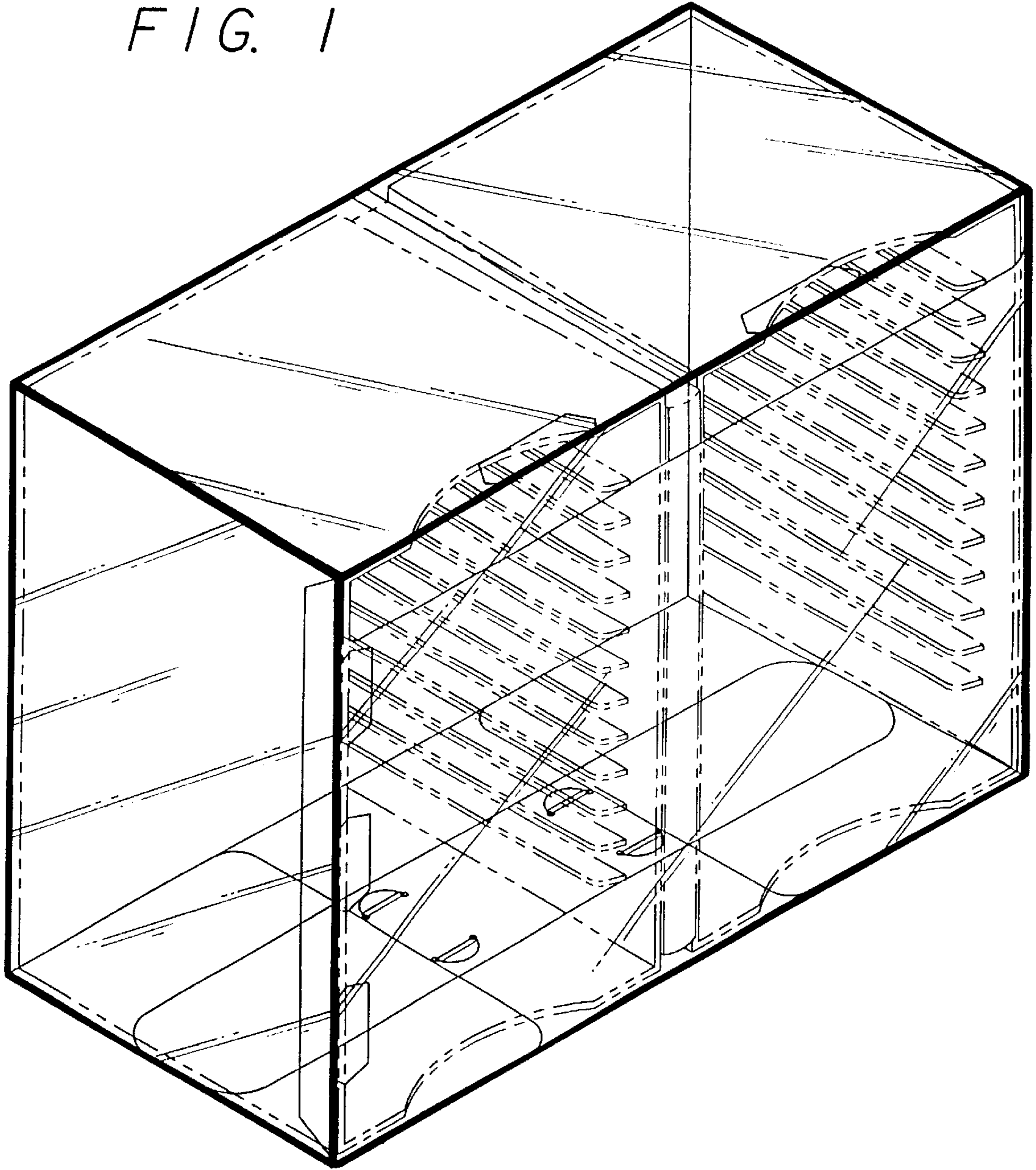
Page 2

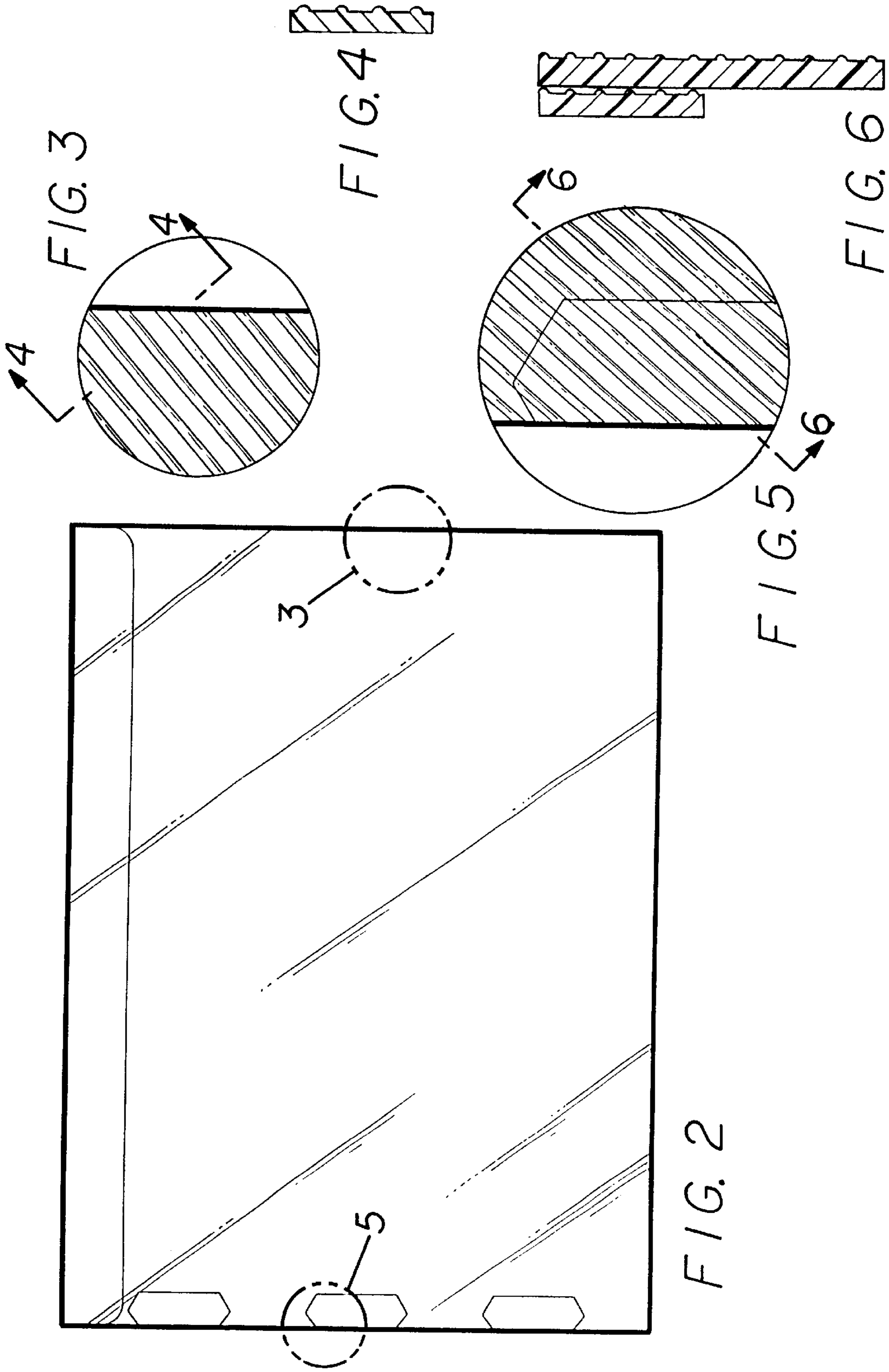
U.S. PATENT DOCUMENTS

D. 299,094	*	12/1988	Mills	D6/515	443,397	12/1890	Mack .	
D. 312,402	*	11/1990	Boggus, Jr.	D9/432	1,089,593	3/1914	Skall .	
D. 320,707	*	10/1991	Garfinkle	D6/407	1,598,235	8/1926	Barbieri .	
D. 327,189		6/1992	McPherson et al.	D6/474	2,457,291	*	12/1948	Wenzel 206/45.29
D. 337,940	*	8/1993	Aquino	D9/314	2,994,465	*	8/1961	Kauffeld 229/122.26
D. 356,033		3/1995	Horvat et al.	D9/430	3,092,301	*	6/1963	Selle 206/242
D. 372,673	*	8/1996	Turner	D9/432	3,184,142	*	5/1965	Rosenburg, Jr. 229/120.18
D. 382,436	*	8/1997	Goekler	D6/631	3,736,035	*	5/1973	Brown et al. 312/107
D. 425,415		5/2000	Kumakura et al.	D9/415	5,358,124	10/1994	Mueller	211/41
D. 429,462		8/2000	Kumakura et al.	D9/415	5,788,088	8/1998	Kao	211/40
D. 429,637		8/2000	Kumakura et al.	D9/415	6,126,020	10/2000	Mok	211/40
D. 431,936		10/2000	Moen et al.	D6/461	6,234,385	*	5/2001	Espinoza et al. 229/122

* cited by examiner

FIG. 1





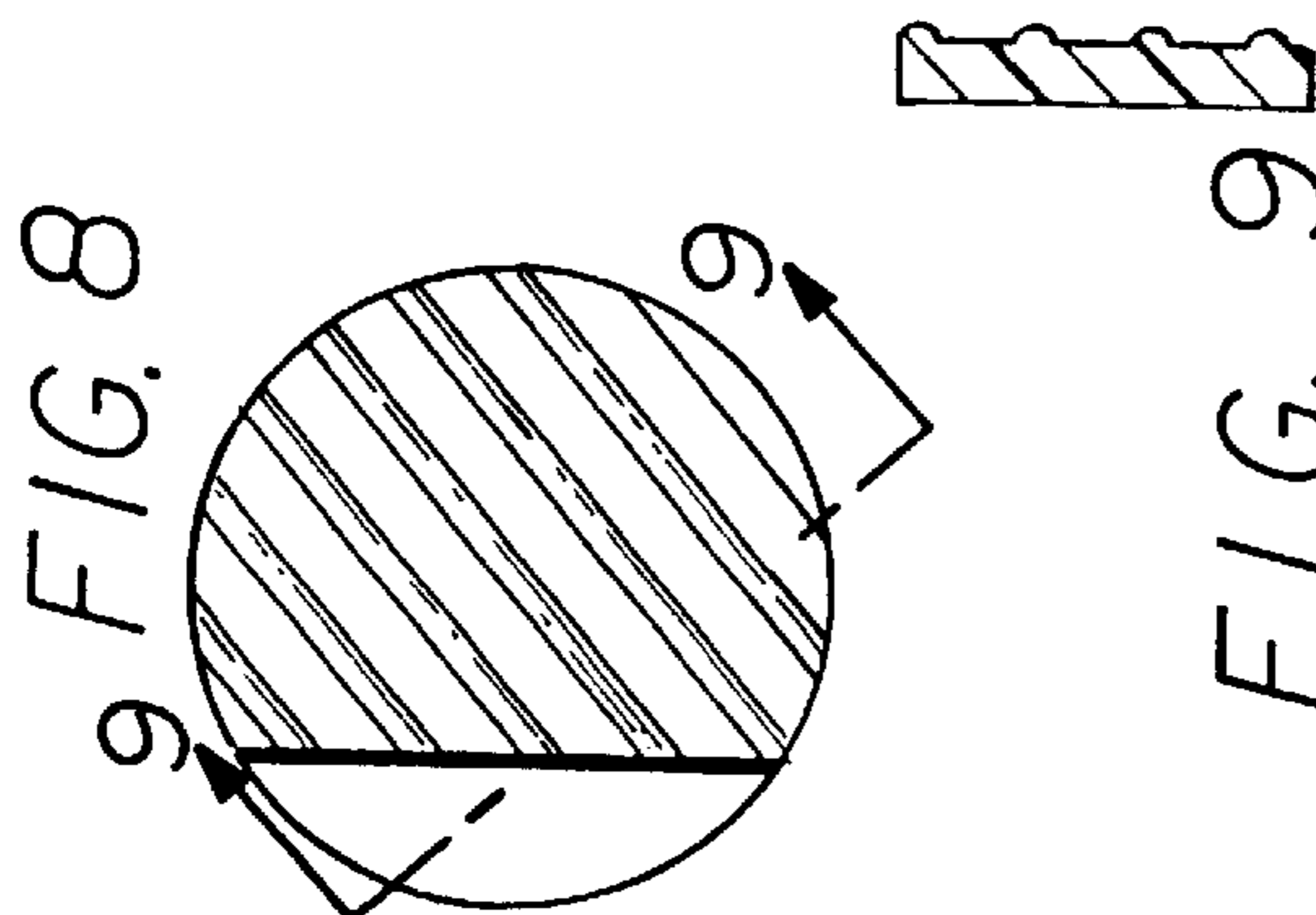
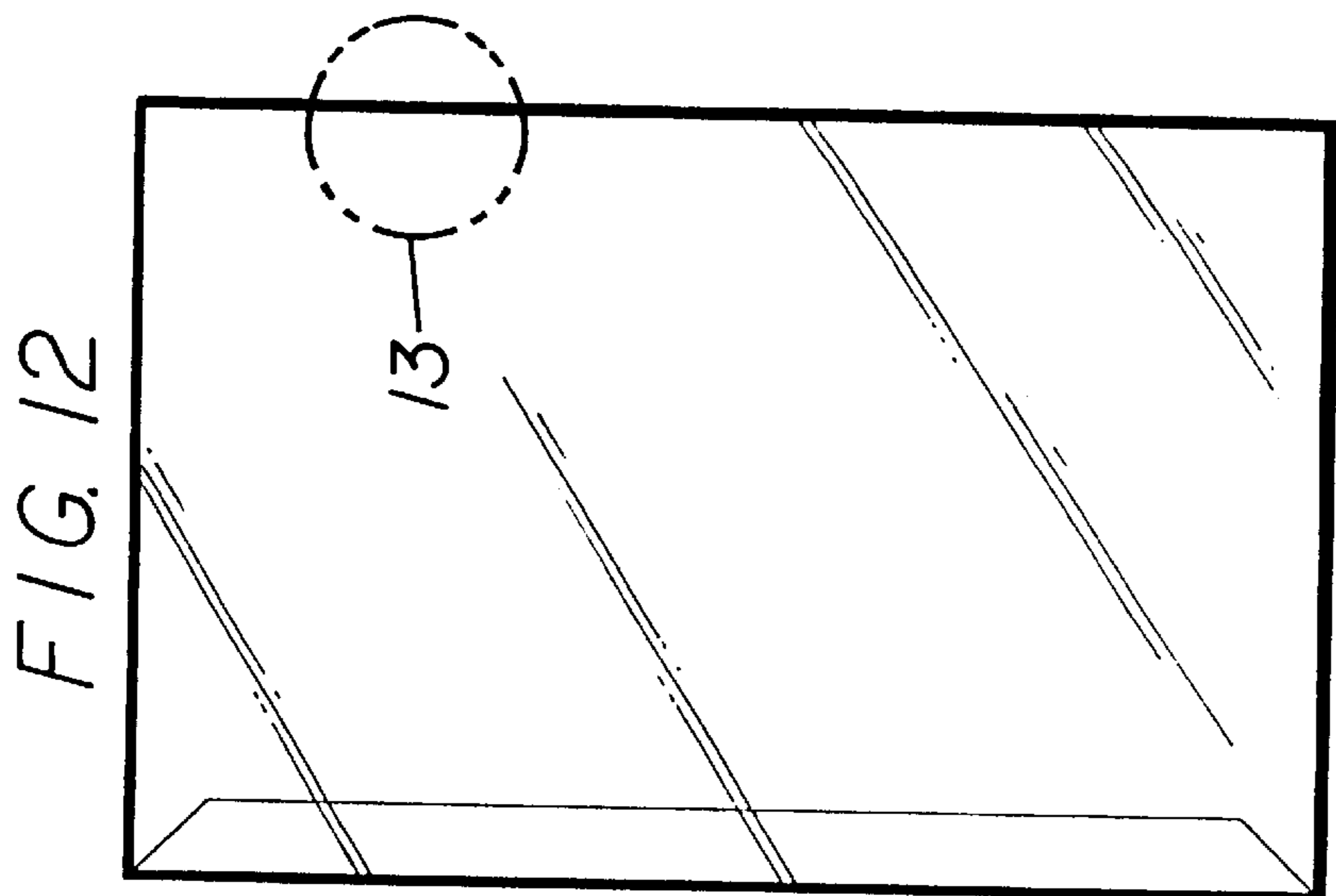
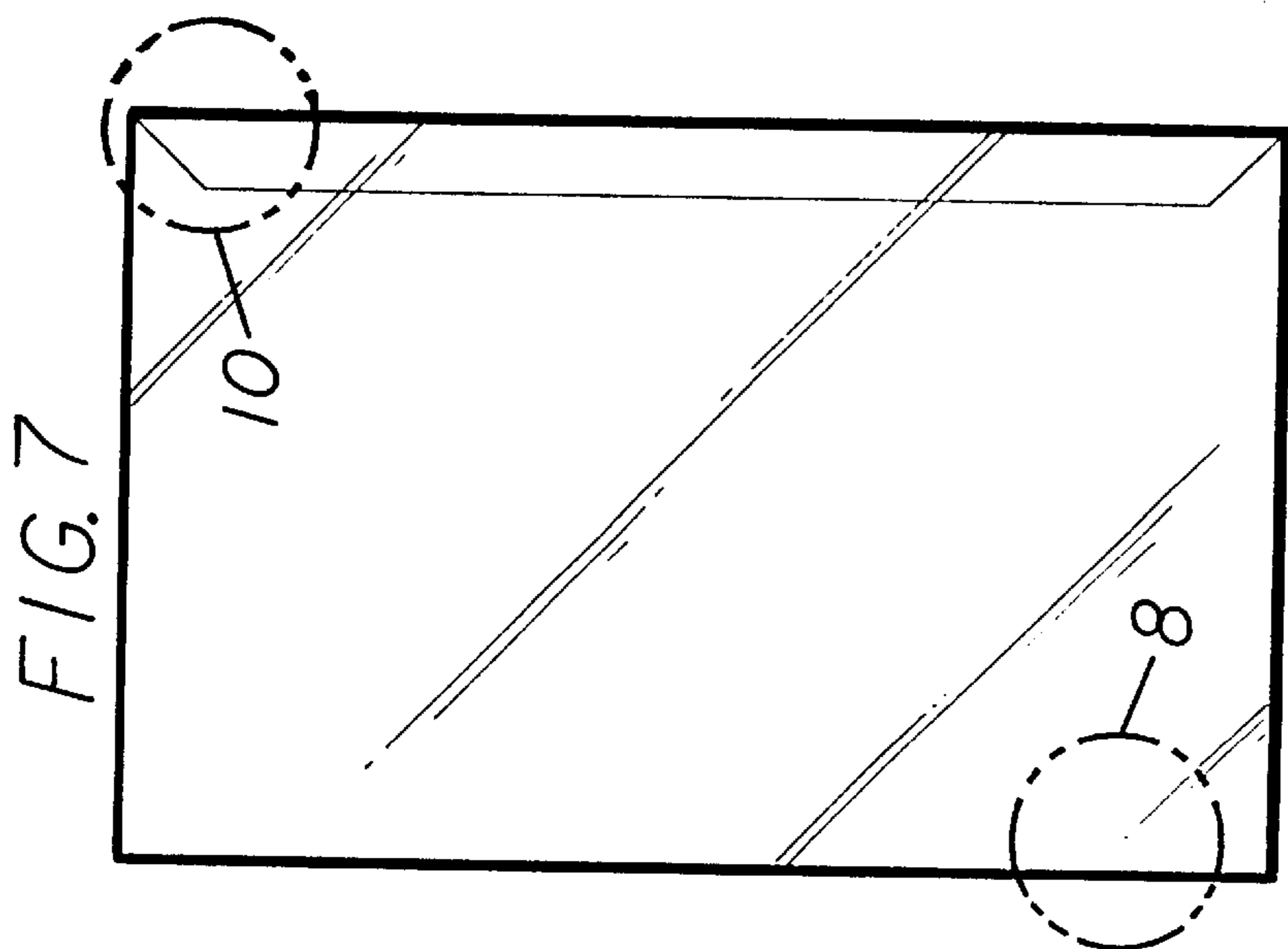


FIG. 9

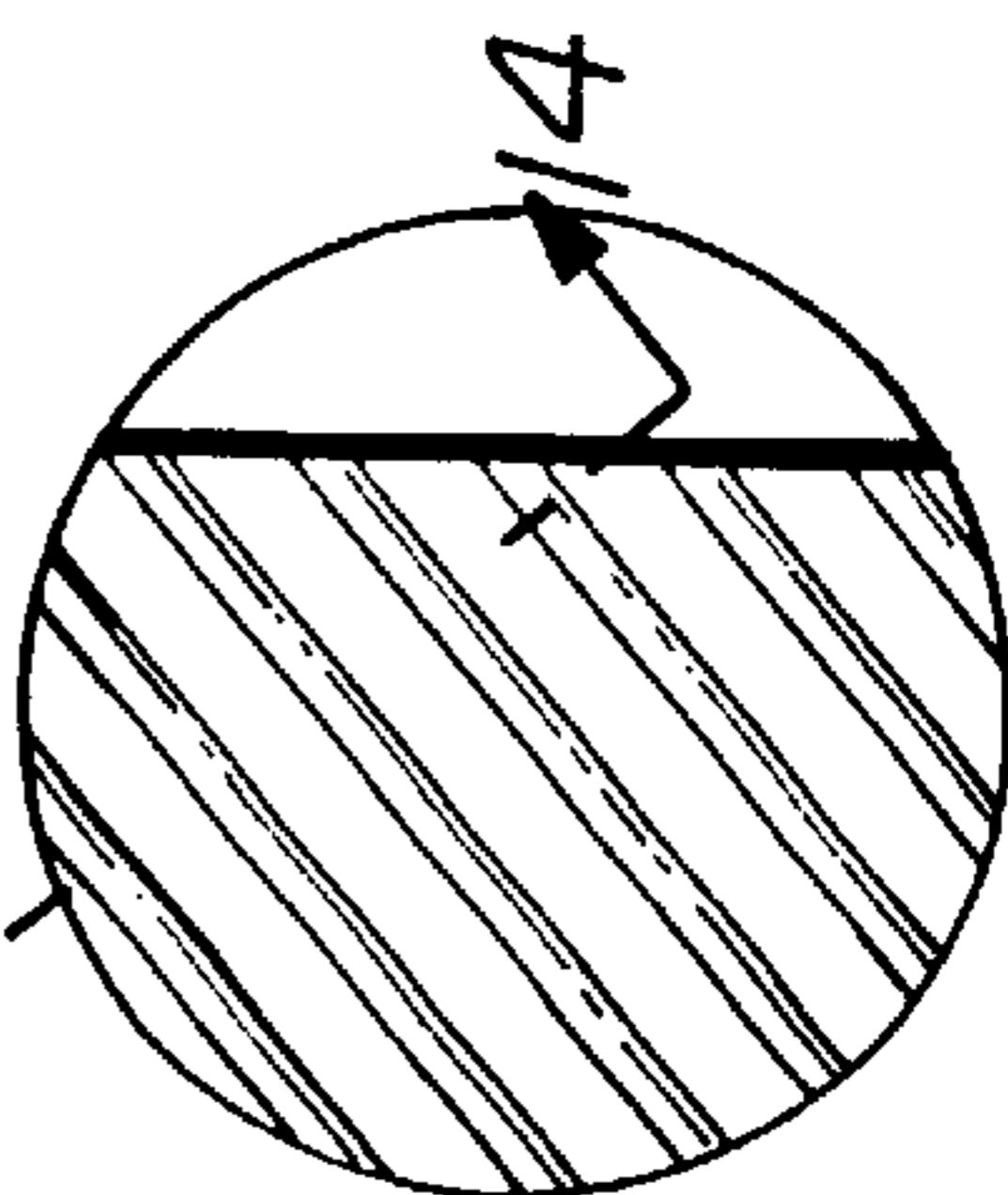
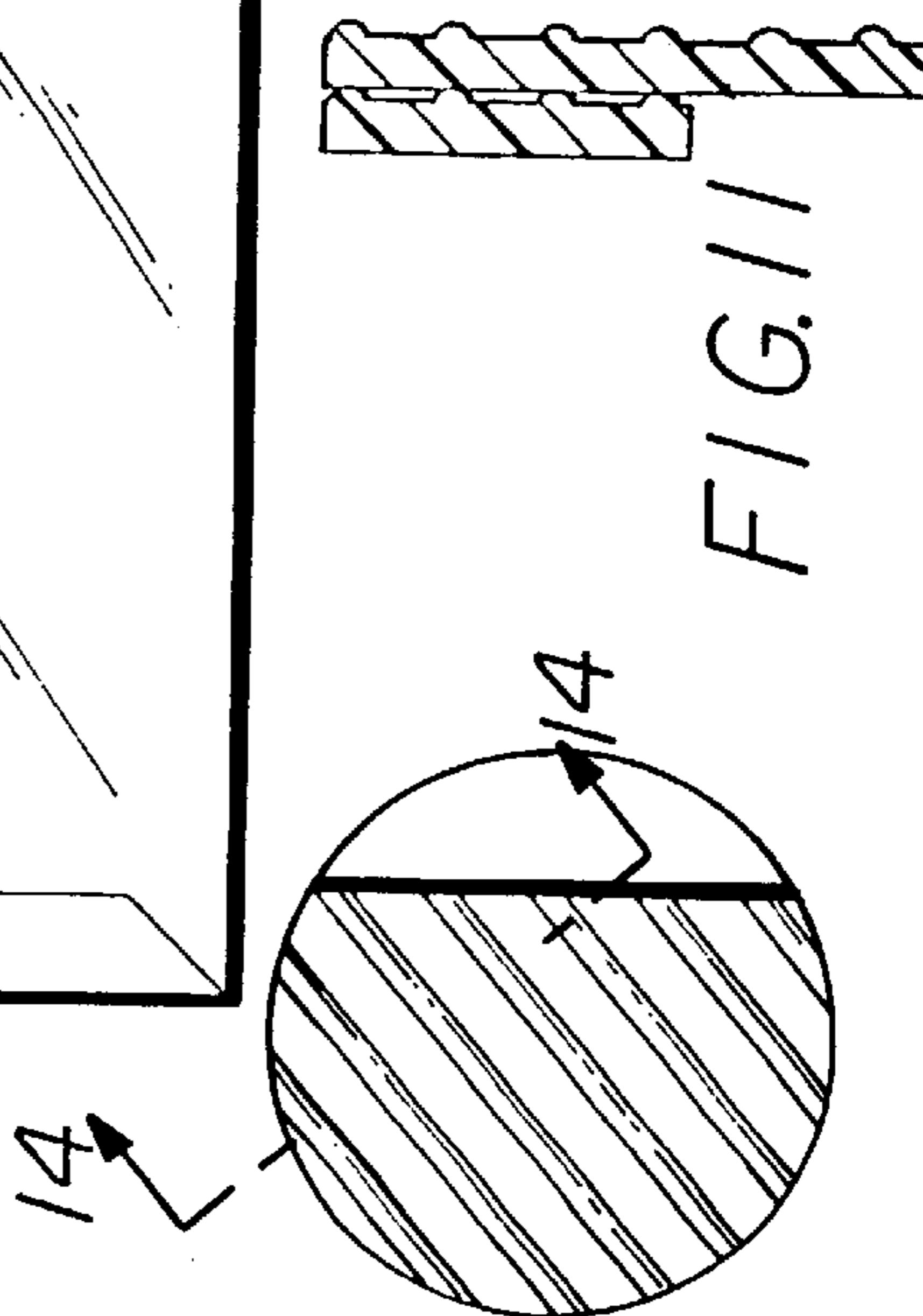
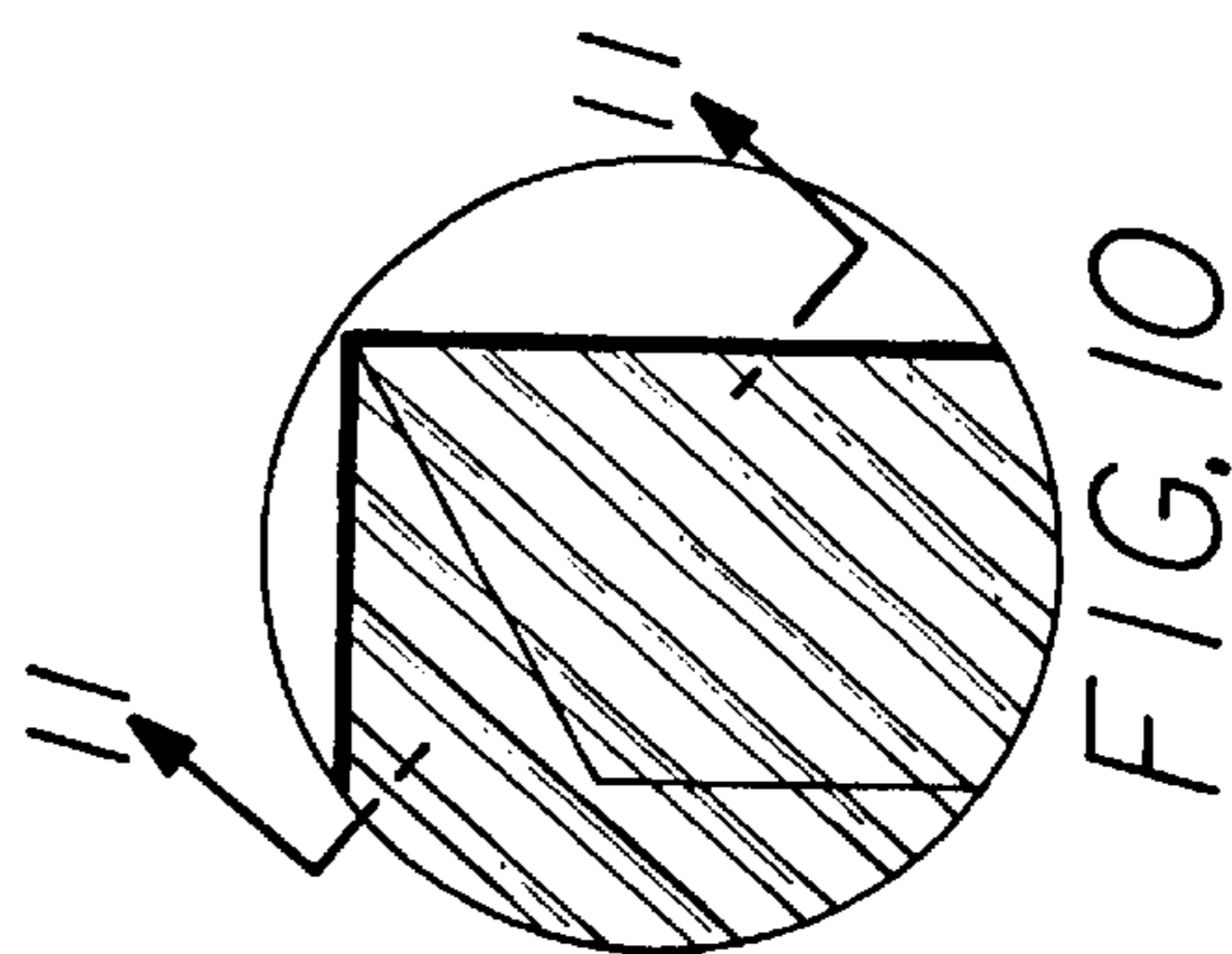


FIG. 13

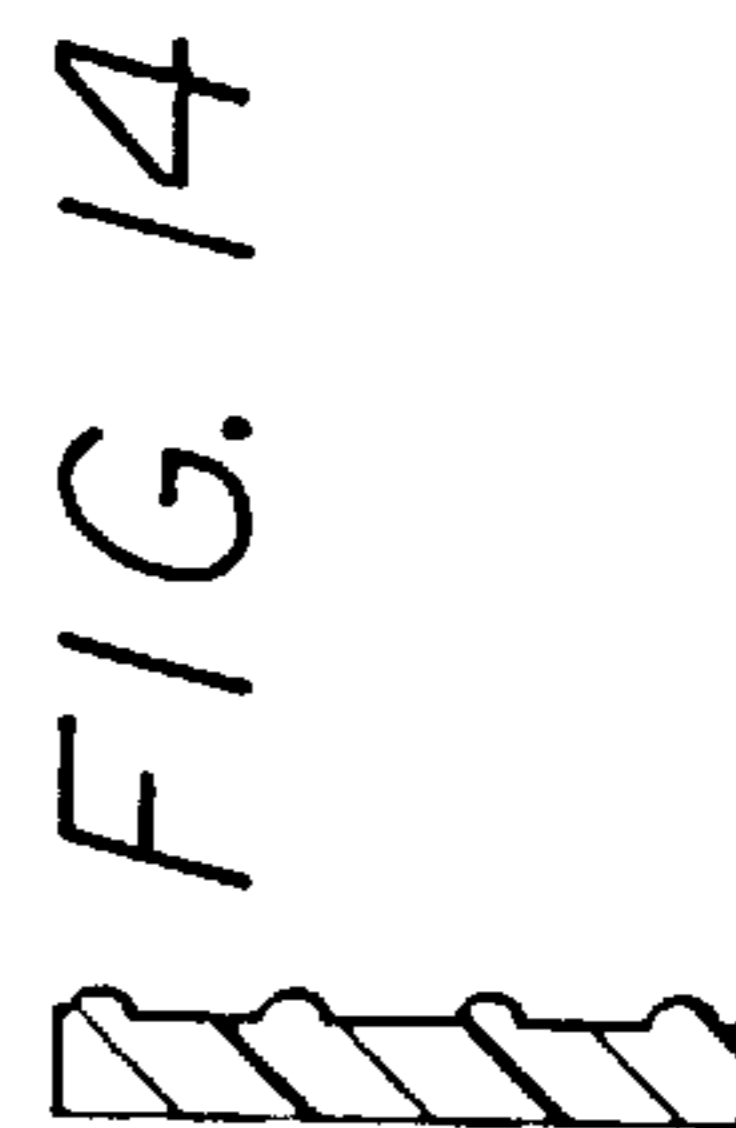


FIG. 15

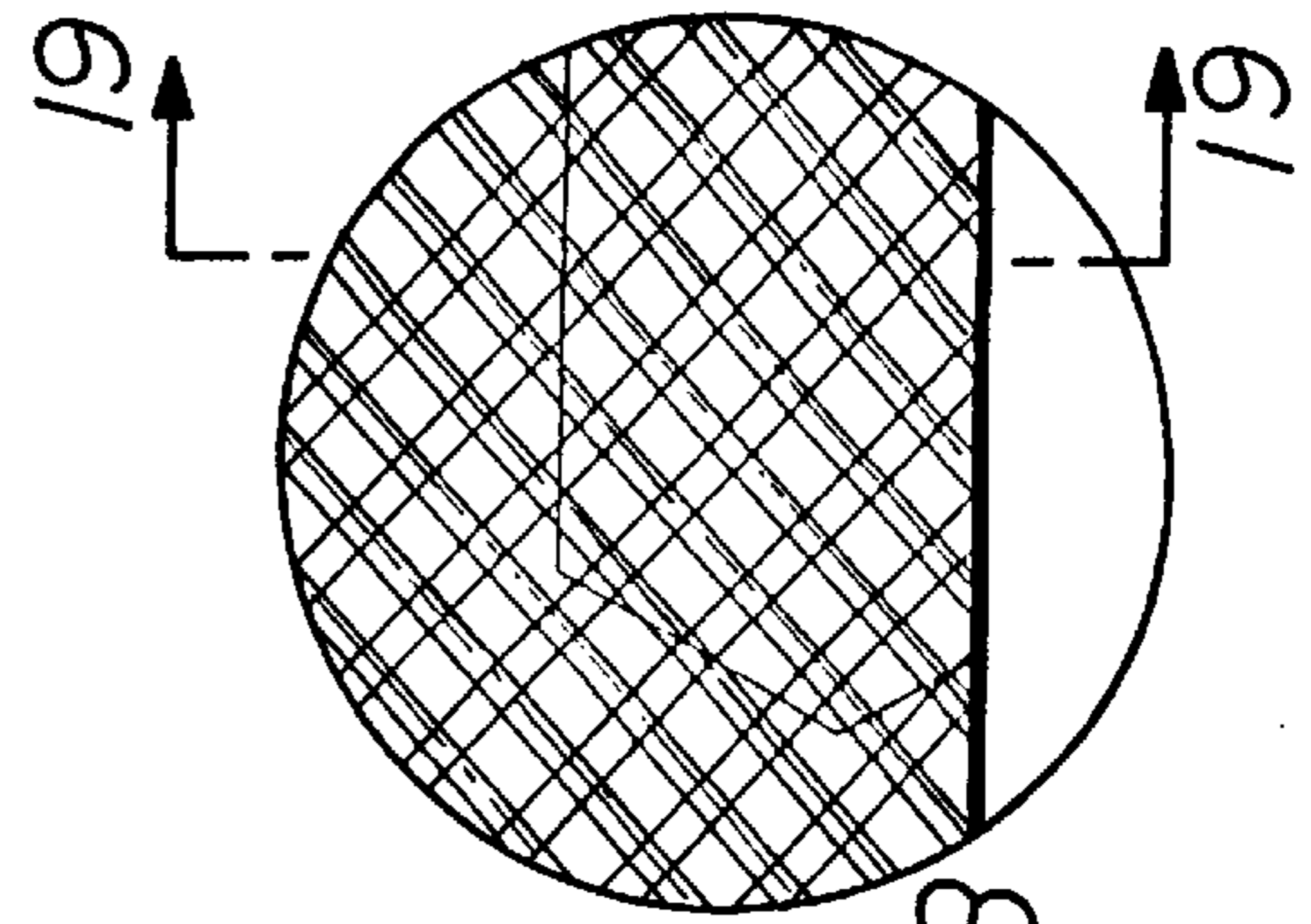
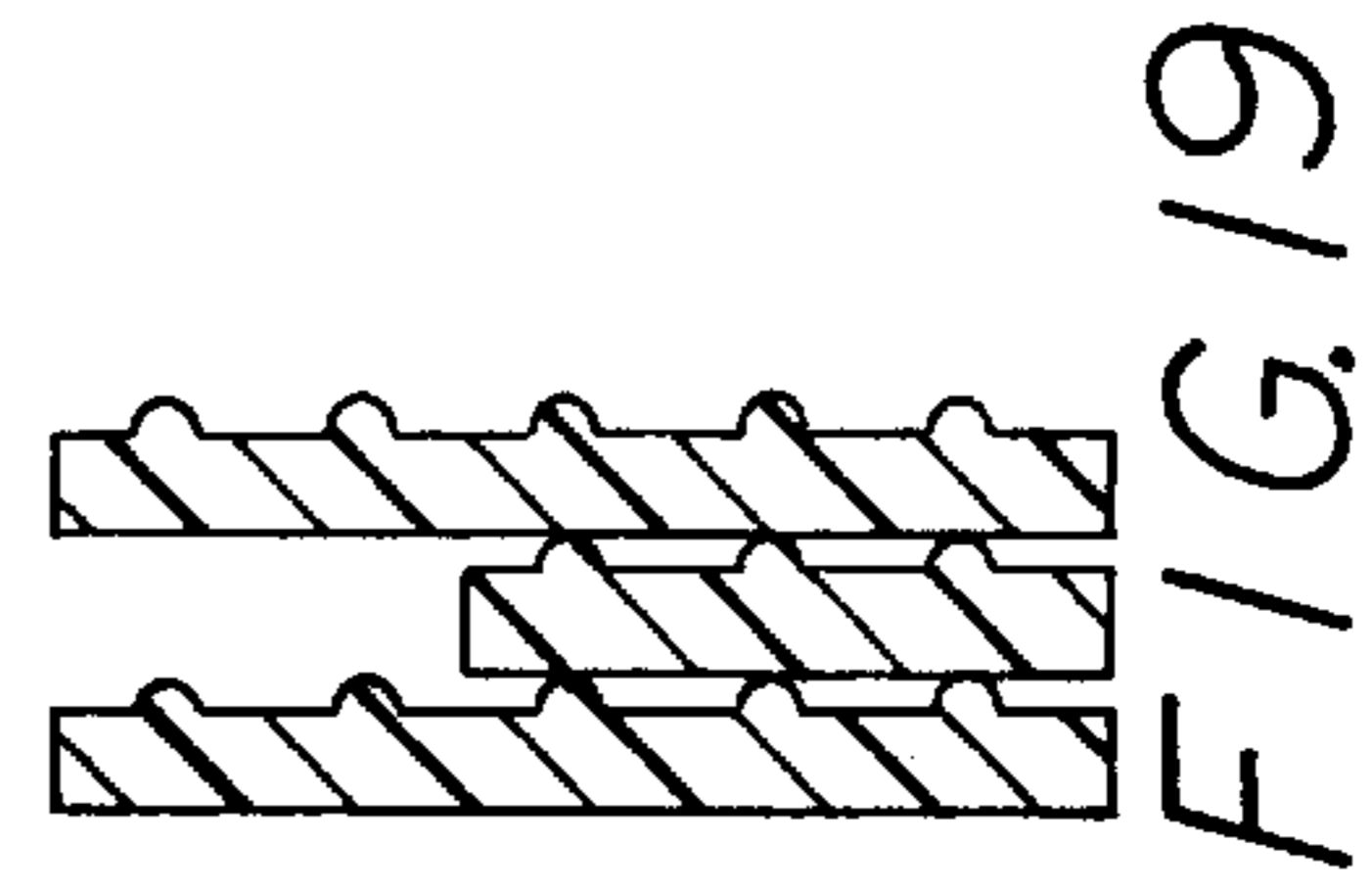
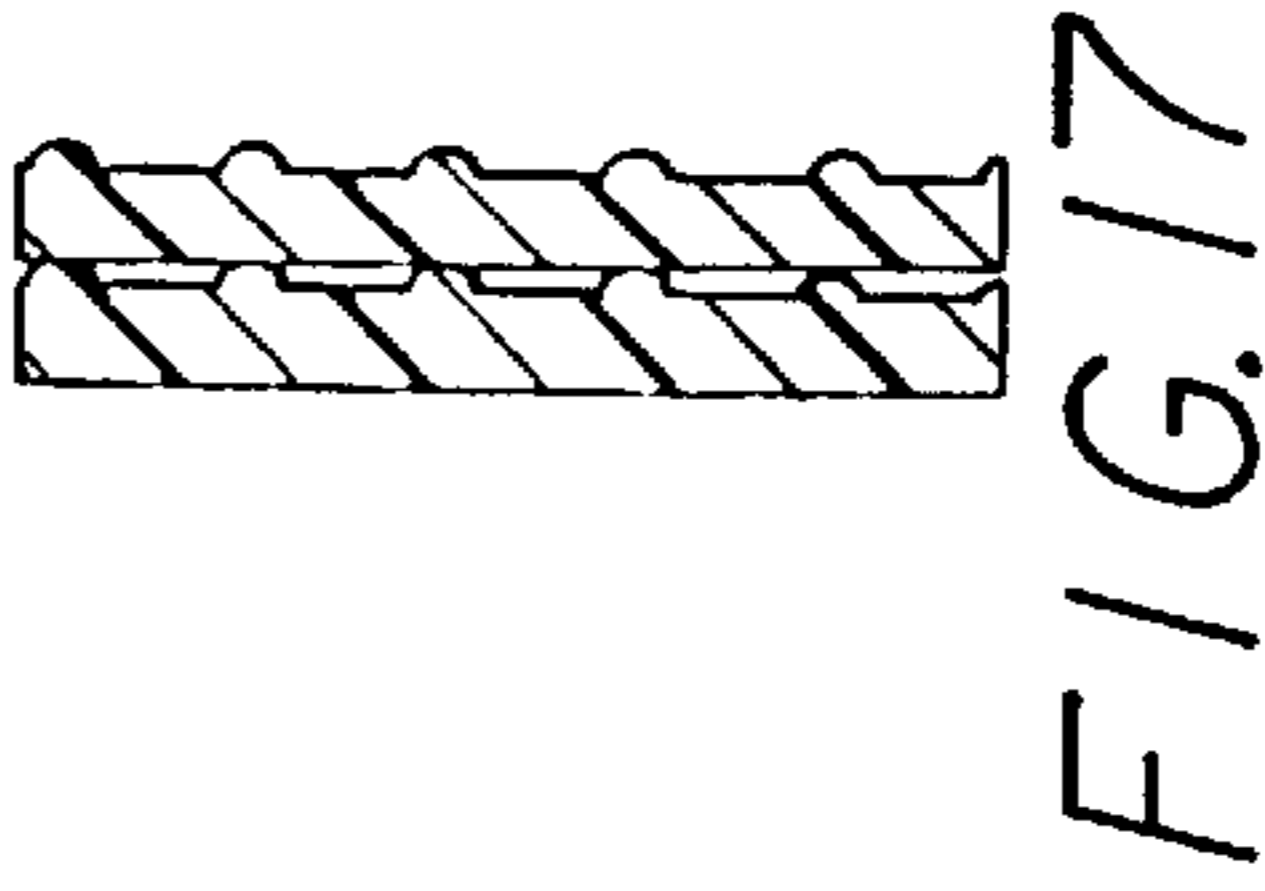
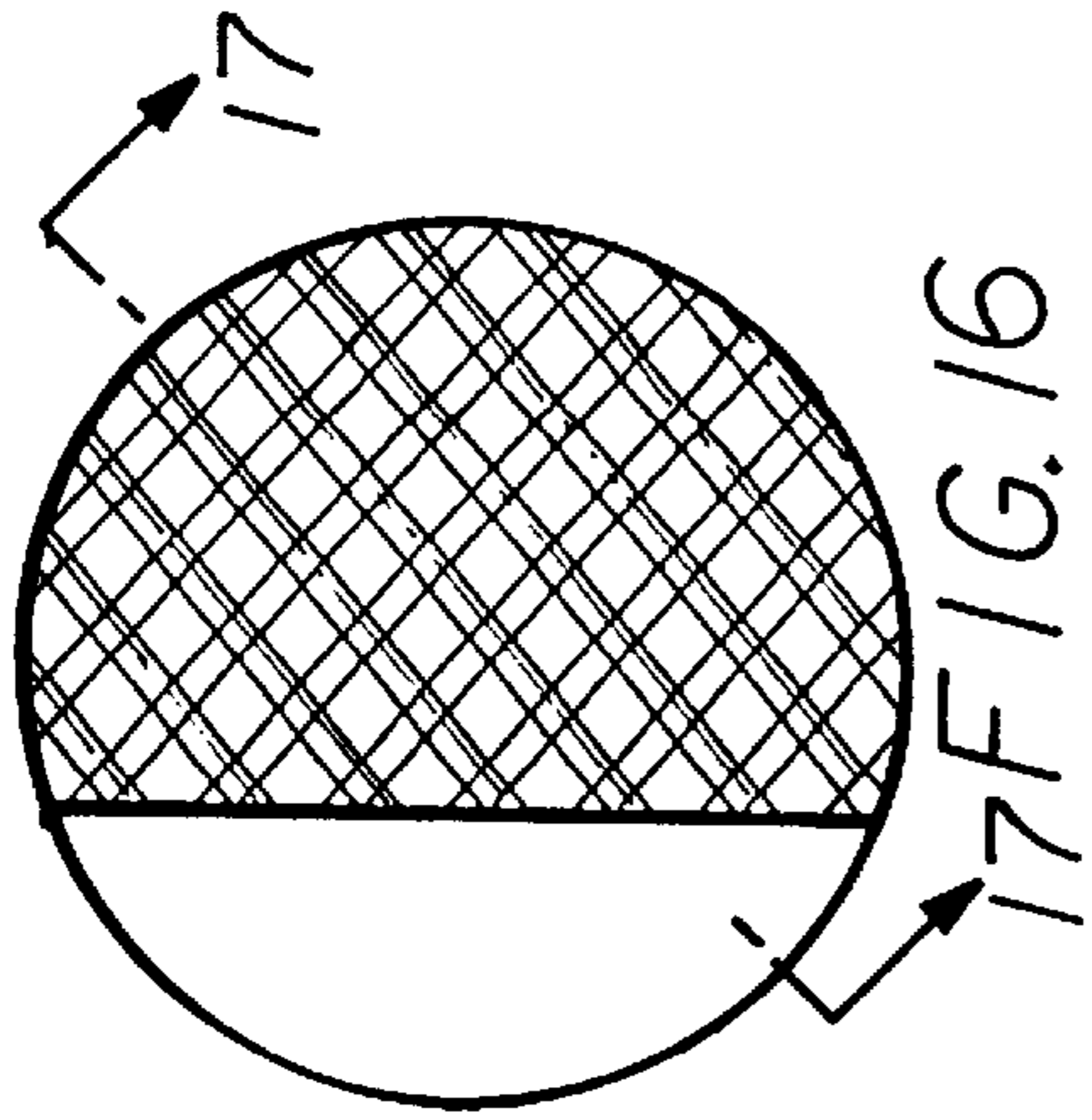
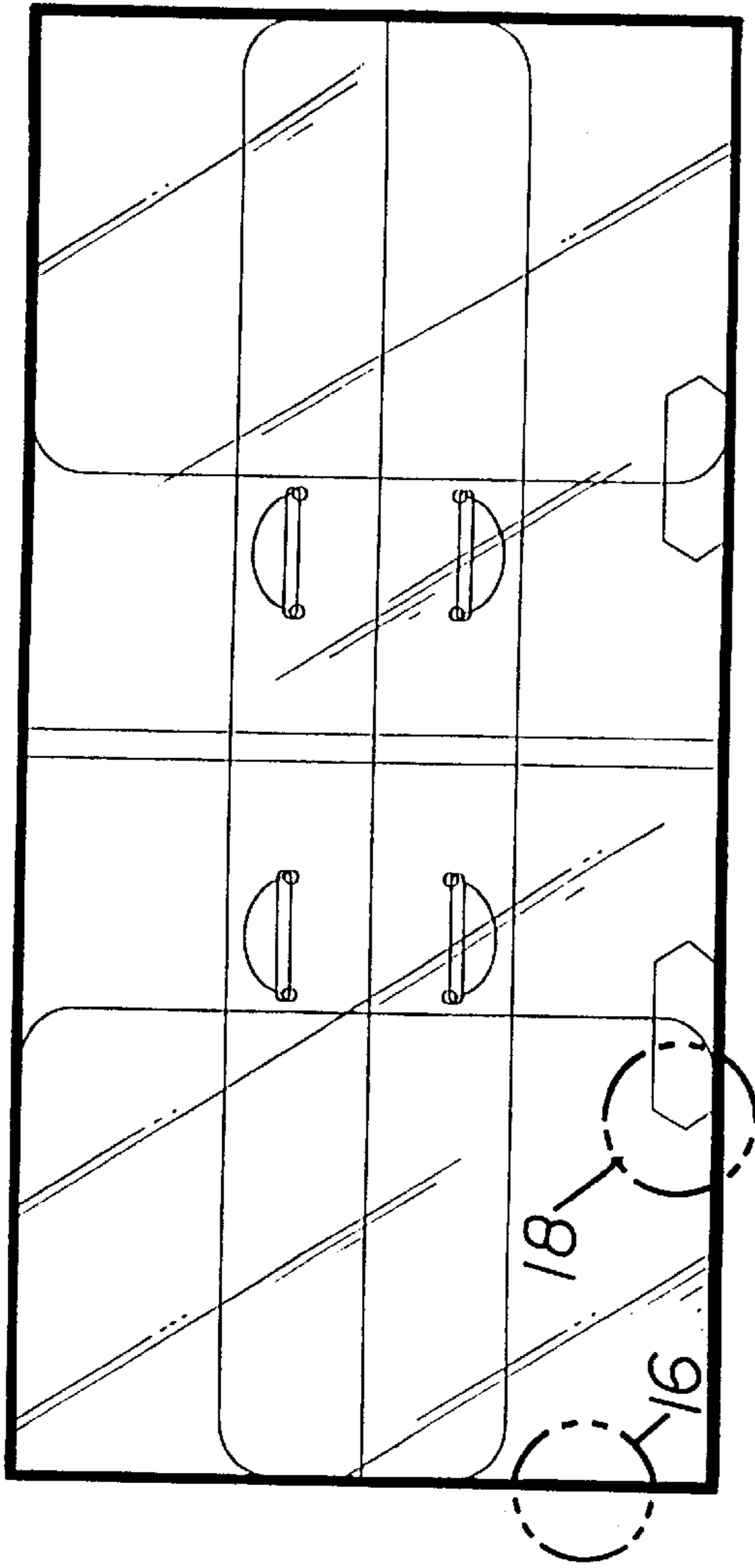


FIG. 18

FIG. 17

FIG. 19

