



US00D452152B1

(12) **United States Design Patent**
Meeker et al.

(10) **Patent No.:** **US D452,152 S**
(45) **Date of Patent:** **** Dec. 18, 2001**

(54) **PACKAGE**

(75) Inventors: **Shane Edwin Meeker**, Maineville, OH (US); **Ronald Peter DeVlam**, Chicago, IL (US); **Mary Carmen Gasco**, Cincinnati, OH (US); **Mark William Rakentine**, Gloucester Point, VA (US); **Pat Lee O'Brien**, Yorktown, VA (US); **Jean-Marc Henri Kirouac**; **Janet Adele Veith**, both of Williamsburg, VA (US)

(73) Assignee: **The Procter & Gamble Company**, Cincinnati, OH (US)

(**) Term: **14 Years**

(21) Appl. No.: **29/125,599**

(22) Filed: **Jun. 27, 2000**

(51) **LOC (7) Cl.** **09-03**

(52) **U.S. Cl.** **D9/429; D9/425**

(58) **Field of Search** D9/424, 425, 428, D9/429, 414; D7/601, 602, 608; 206/508, 518, 519, 557, 503; 220/574, 573.4, 556, 656-659, 669, 674, 675; 229/406, 407, 902, 400

(56) **References Cited**

U.S. PATENT DOCUMENTS

D. 195,283	*	5/1963	Kulow	D9/429
D. 197,312	*	1/1964	Kulow	D9/429
D. 206,358	*	11/1966	Griese, Jr.	D9/425
D. 219,959	*	2/1971	Anderson	D9/425
D. 430,023	*	8/2000	Shurtleff et al.	D9/425
5,203,836	*	4/1993	Brazis et al.	220/657
5,224,623	*	7/1993	LaFleur	220/675
5,503,886	*	4/1996	Guarriello et al.	220/659
5,782,376	*	7/1998	Brauner et al.	220/675

FOREIGN PATENT DOCUMENTS

56-95830 (54-168892) 8/1981 (JP).
629528 (56-

15102)	7/1984	(JP) .
629802 (55-8633)	7/1984	(JP) .
632391 (56-27379)	8/1984	(JP) .
632397 (56-37333)	8/1984	(JP) .
632391 (56-28769)	9/1984	(JP) .
632397 (56-37334)	9/1984	(JP) .
60-27009 (58-118552)	2/1985	(JP) .

(List continued on next page.)

Primary Examiner—Prabhakar Deshmukh
(74) *Attorney, Agent, or Firm*—Paul M. Ulrich; Leonard W. Lewis

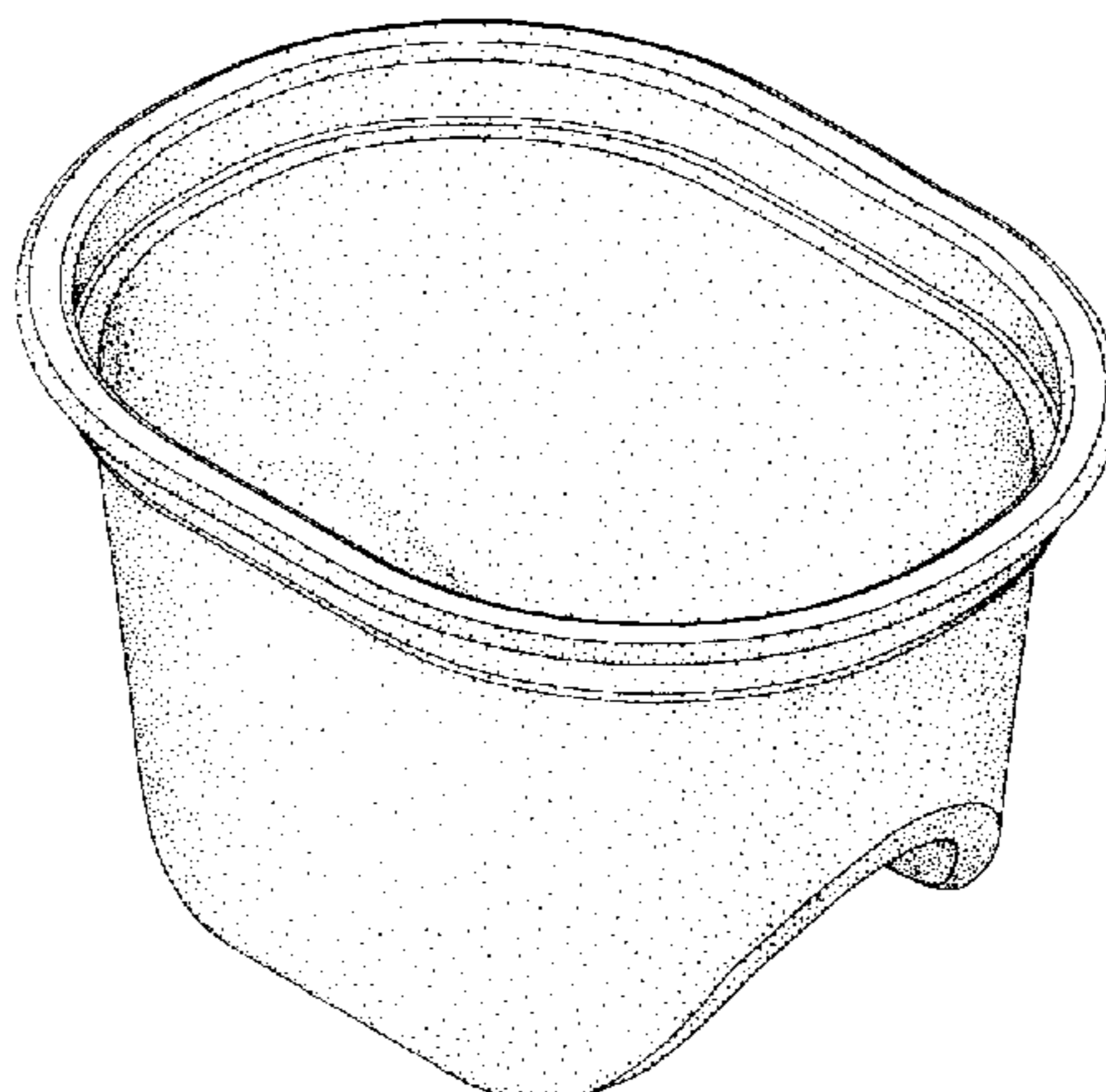
(57) **CLAIM**

The ornamental design for a package, as shown and described.

DESCRIPTION

FIG. 1 is a perspective view of a package showing our new design;
FIG. 2 is a right side elevational view thereof; the left side elevational view being a mirror image thereof;
FIG. 3 is a front elevational view thereof; the rear elevational view being a mirror image thereof;
FIG. 4 is a top plan view thereof;
FIG. 5 is a bottom plan view thereof;
FIG. 6 is a perspective view of a second embodiment of FIG. 1;
FIG. 7 is a right side elevational view thereof; the left side elevational view being a mirror image thereof;
FIG. 8 is a front elevational view thereof; the rear elevational view being a mirror image thereof;
FIG. 9 is a top plan view of FIG. 6; and,
FIG. 10 is a bottom plan view of FIG. 6.
The broken lines in FIGS. 6-10 are illustrative purpose only and forms no part of the claimed design.

1 Claim, 2 Drawing Sheets



FOREIGN PATENT DOCUMENTS

60-32214 (58-122860)	3/1985 (JP) .	846502 (1-44739)	9/1992 (JP) .
648221 (57-8923)	4/1985 (JP) .	846502 (1-44740)	9/1992 (JP) .
704489 (59-10163)	5/1987 (JP) .	846502 (1-44741)	9/1992 (JP) .
750559 (60-18410)	12/1988 (JP) .	846514 (2-6023)	9/1992 (JP) .
750560 (60-26054)	12/1988 (JP) .	945087 (4-25687)	1/1996 (JP) .
803682 (62-53112)	12/1990 (JP) .	945087 (4-25688)	2/1996 (JP) .
833345 (63-23646)	4/1992 (JP) .	945087 (4-29022)	2/1996 (JP) .
803682 (63-1869)	5/1992 (JP) .	948836 (4-6094)	3/1996 (JP) .
4-68807 (2-113377)	6/1992 (JP) .	969150 (4-36557)	11/1996 (JP) .
846501 (1-44733)	9/1992 (JP) .	973123 (7-35216)	1/1997 (JP) .
846501 (1-44734)	9/1992 (JP) .	976163 (4-36559)	3/1997 (JP) .
846501 (1-44735)	9/1992 (JP) .	978664 (7-2742)	4/1997 (JP) .
846501 (1-44737)	9/1992 (JP) .	979842 (62-46120)	4/1997 (JP) .
846502 (1-44738)	9/1992 (JP) .	2600988 (5-62568)	11/1999 (JP) .

* cited by examiner

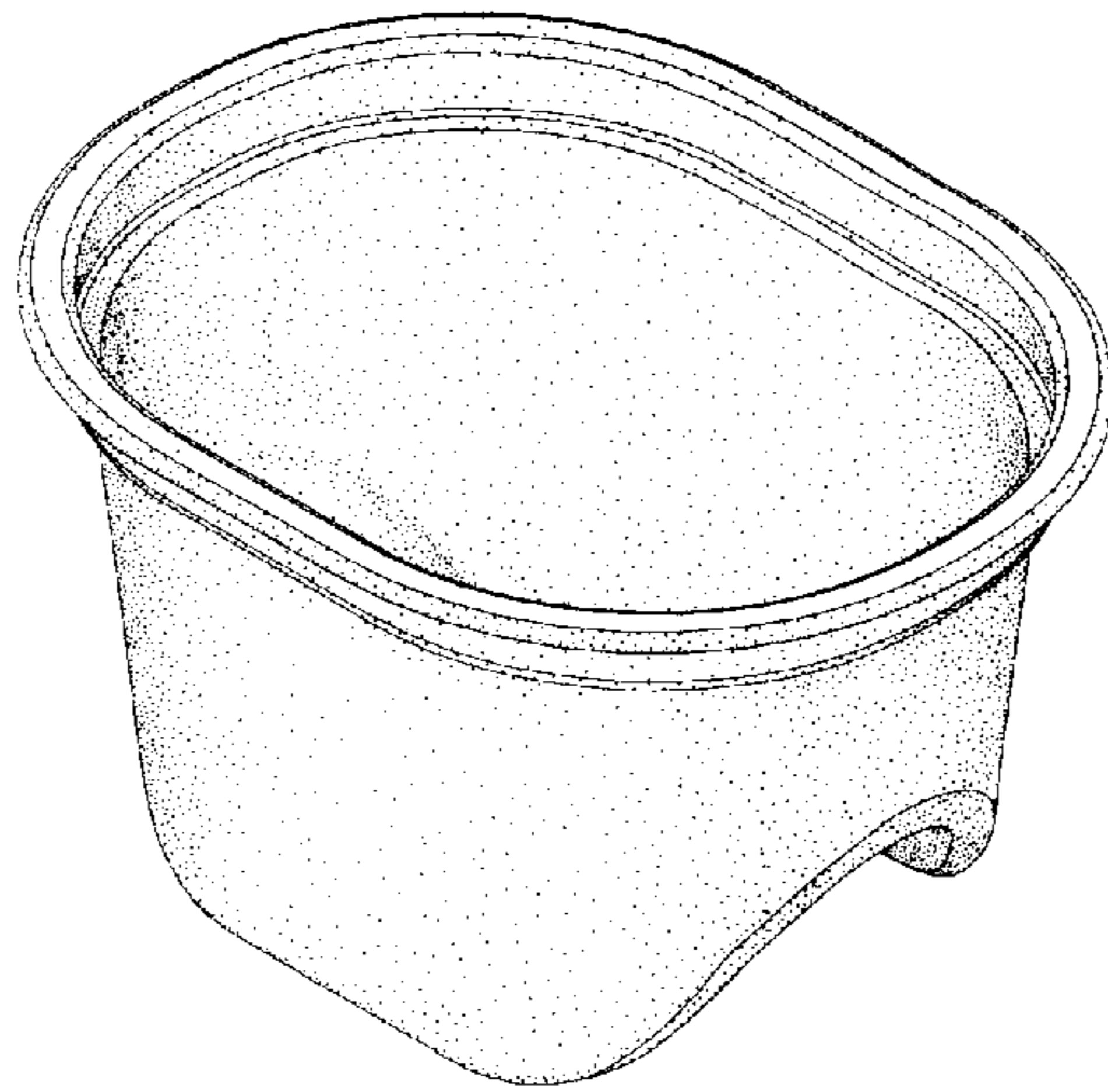


Fig. 1

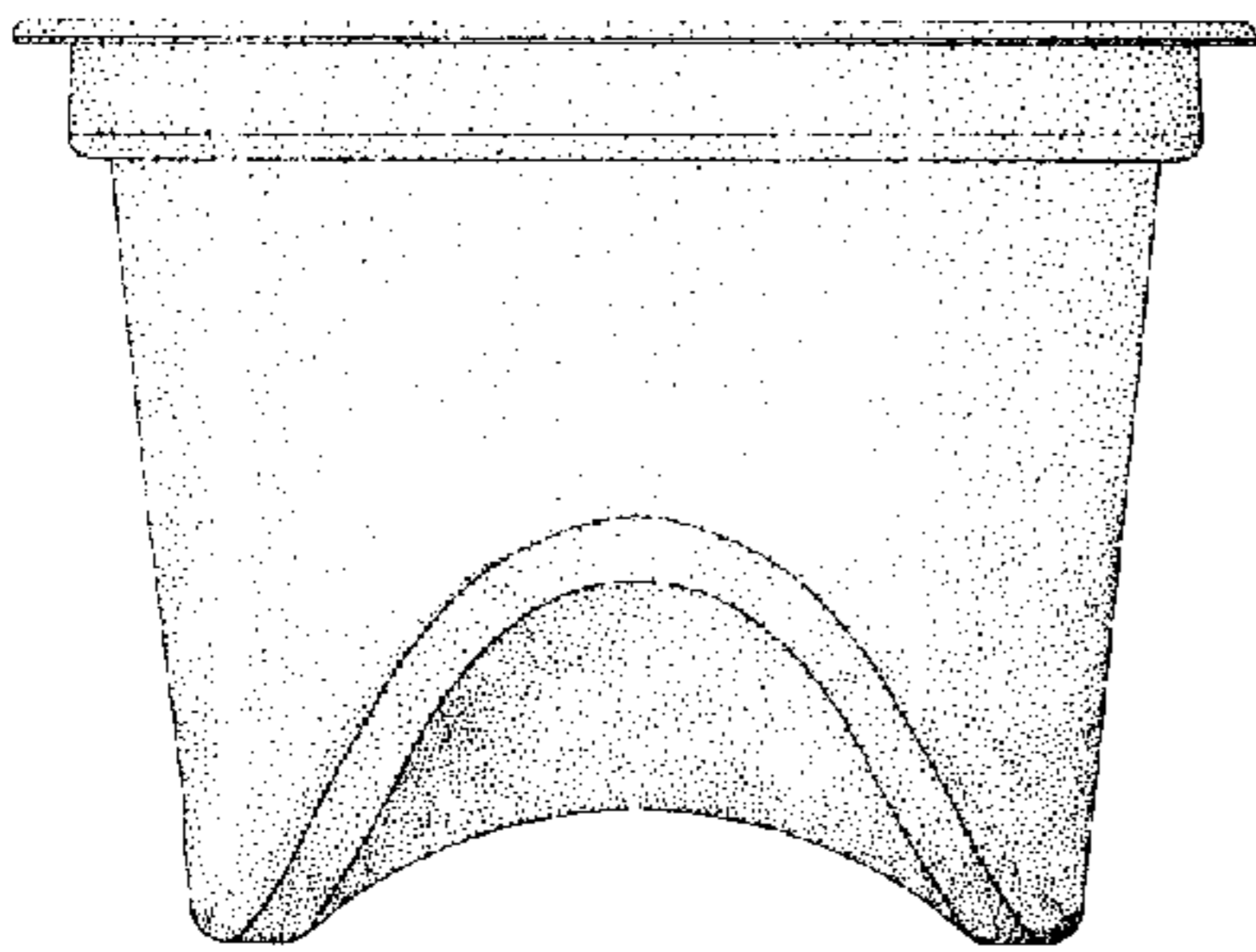


Fig. 3

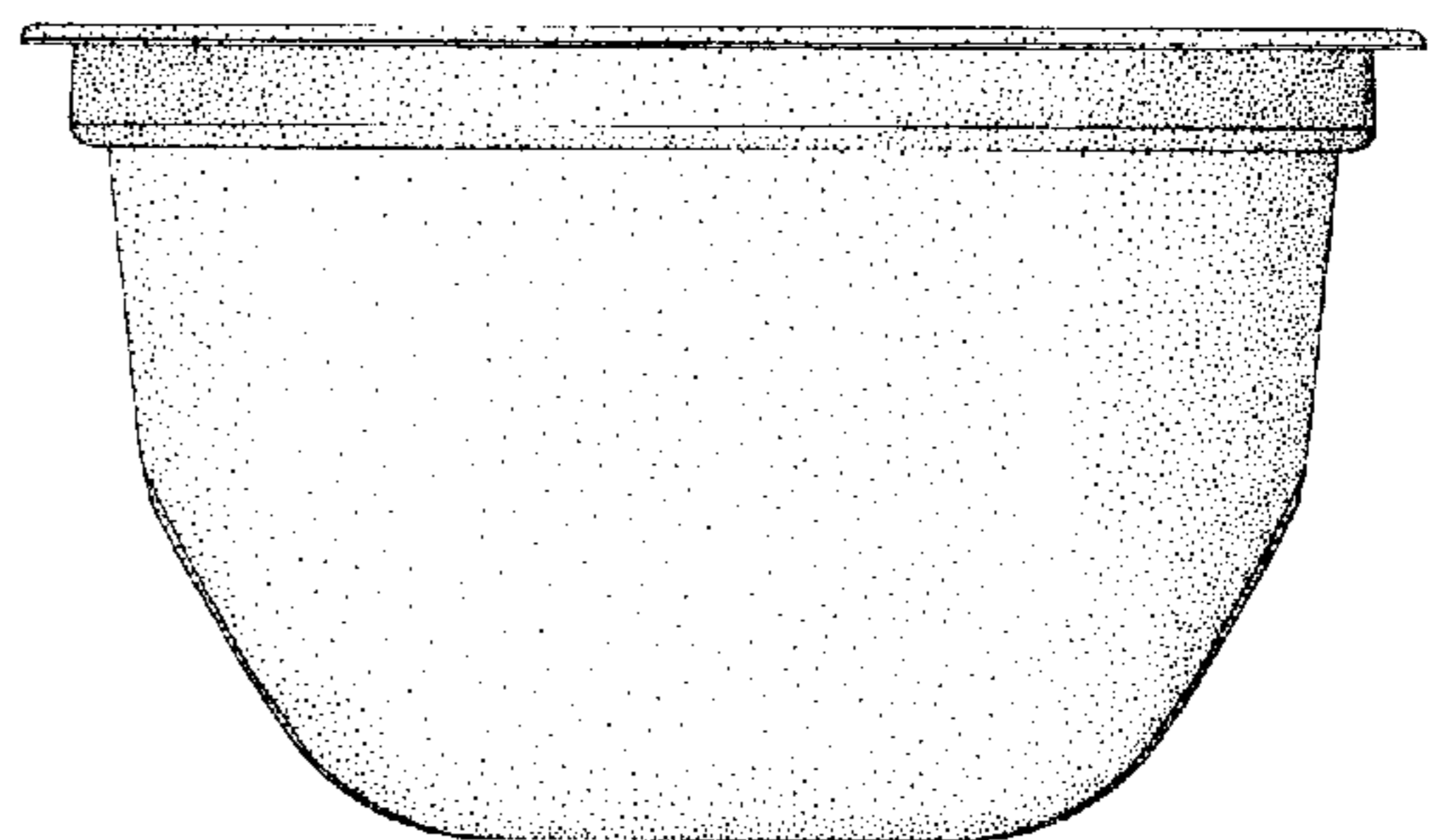


Fig. 2

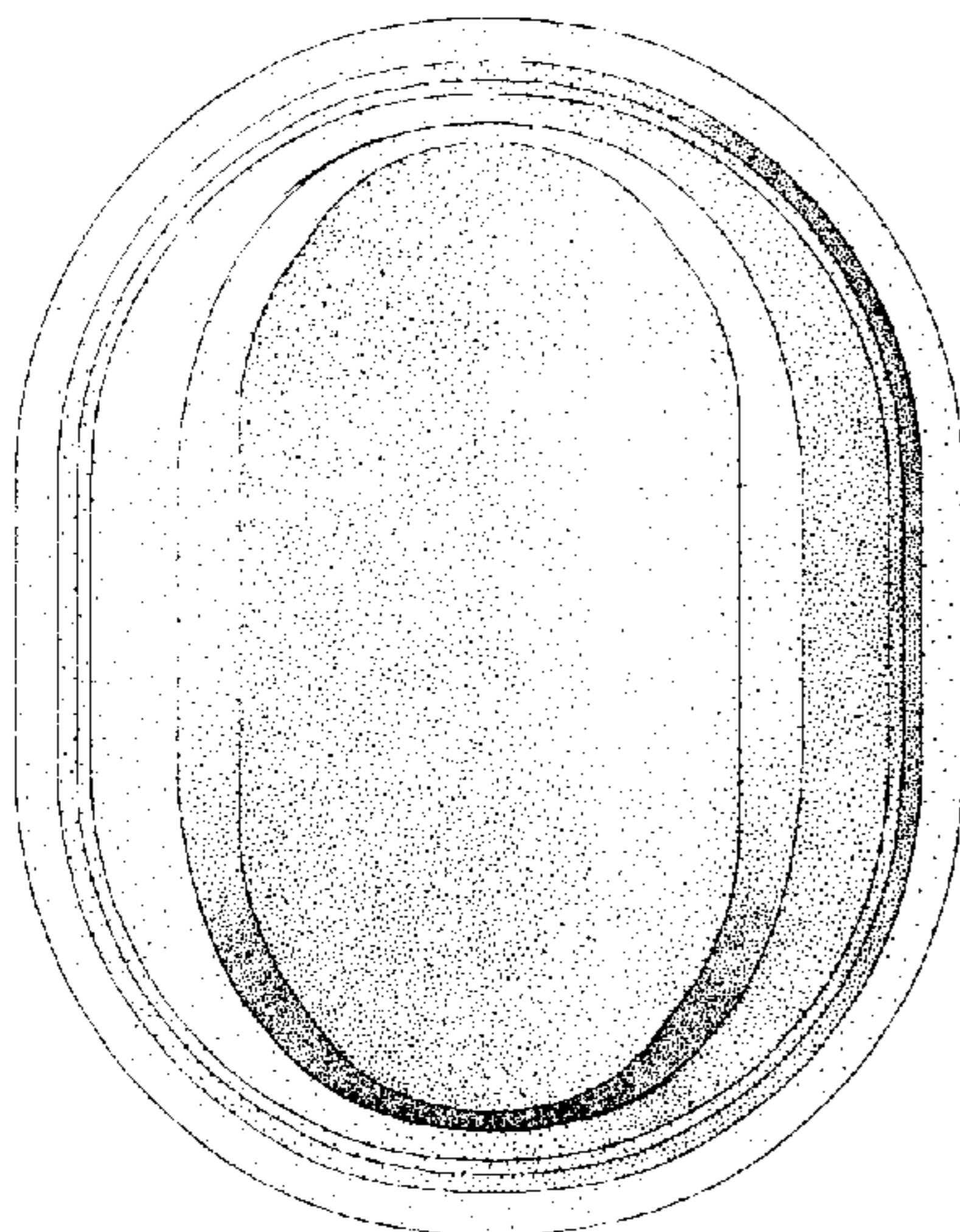


Fig. 5

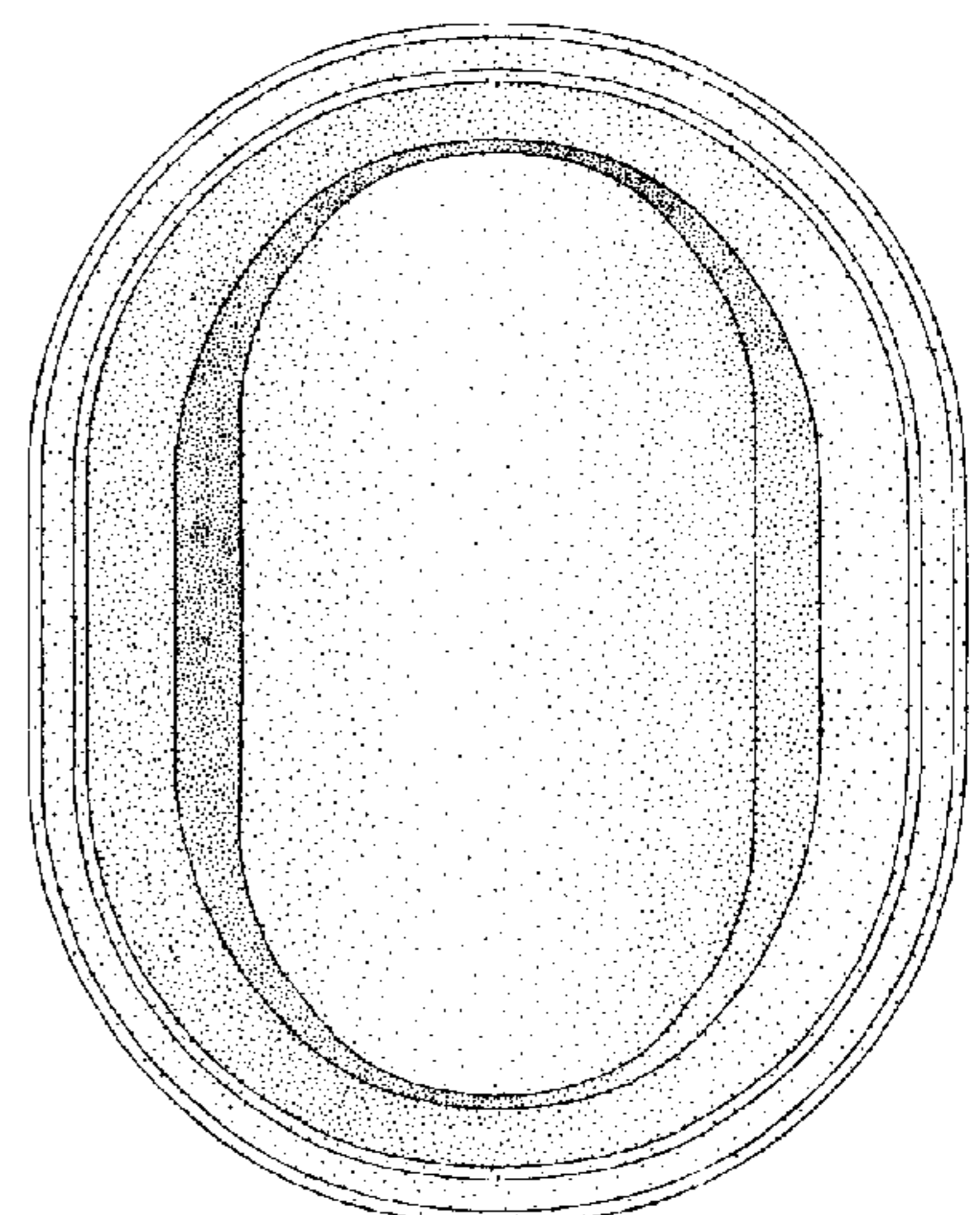


Fig. 4

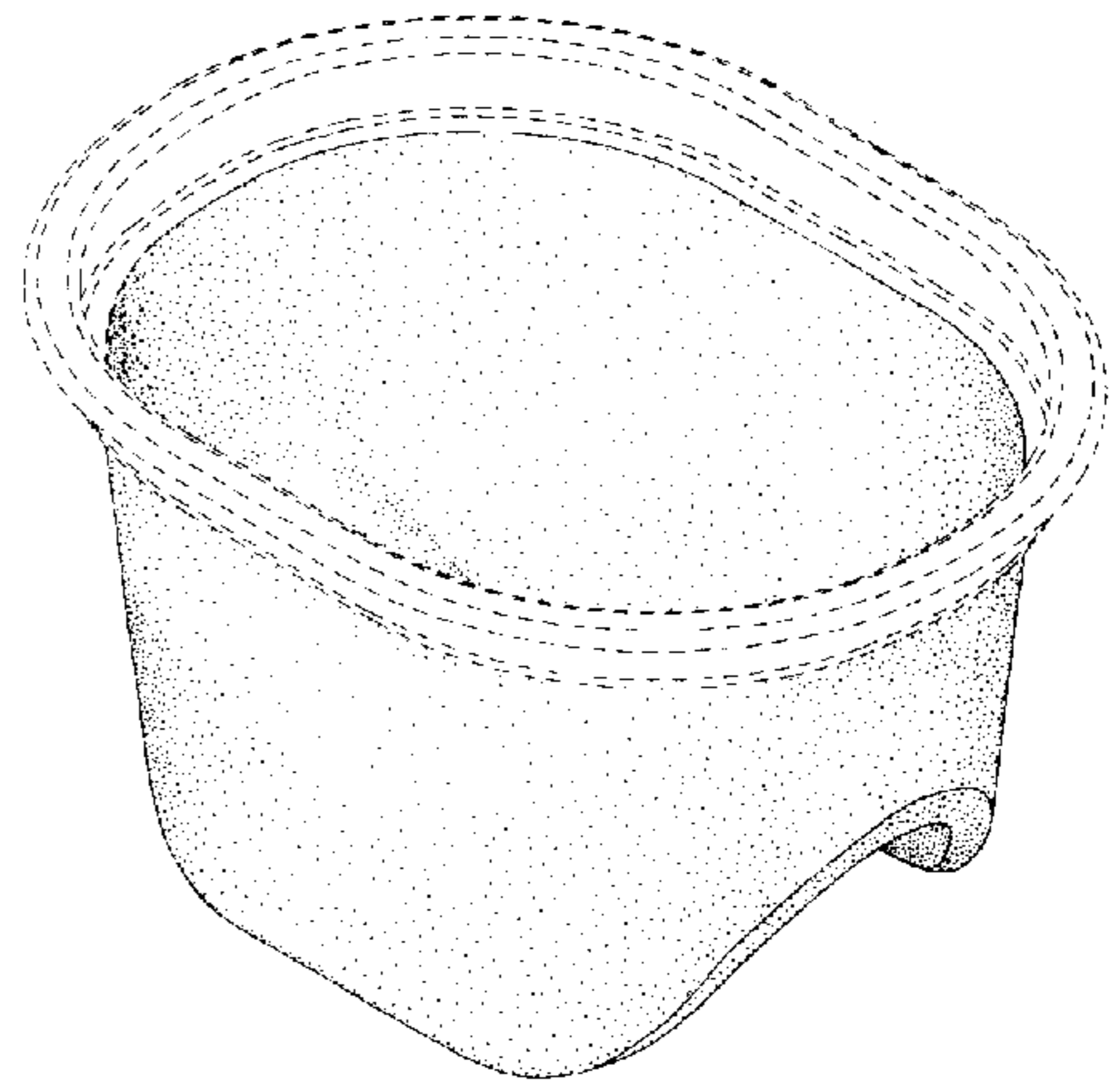


Fig. 6

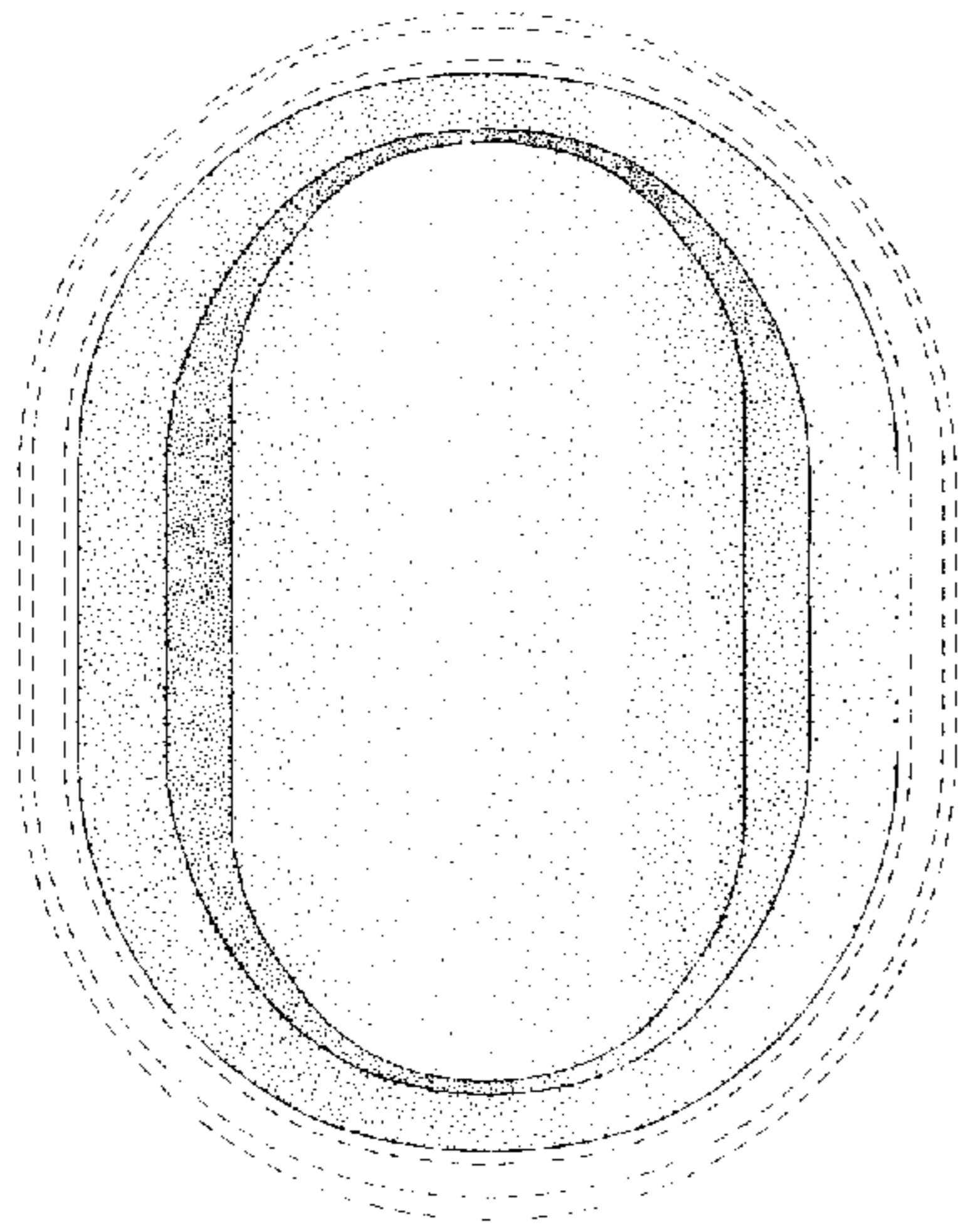


Fig. 9

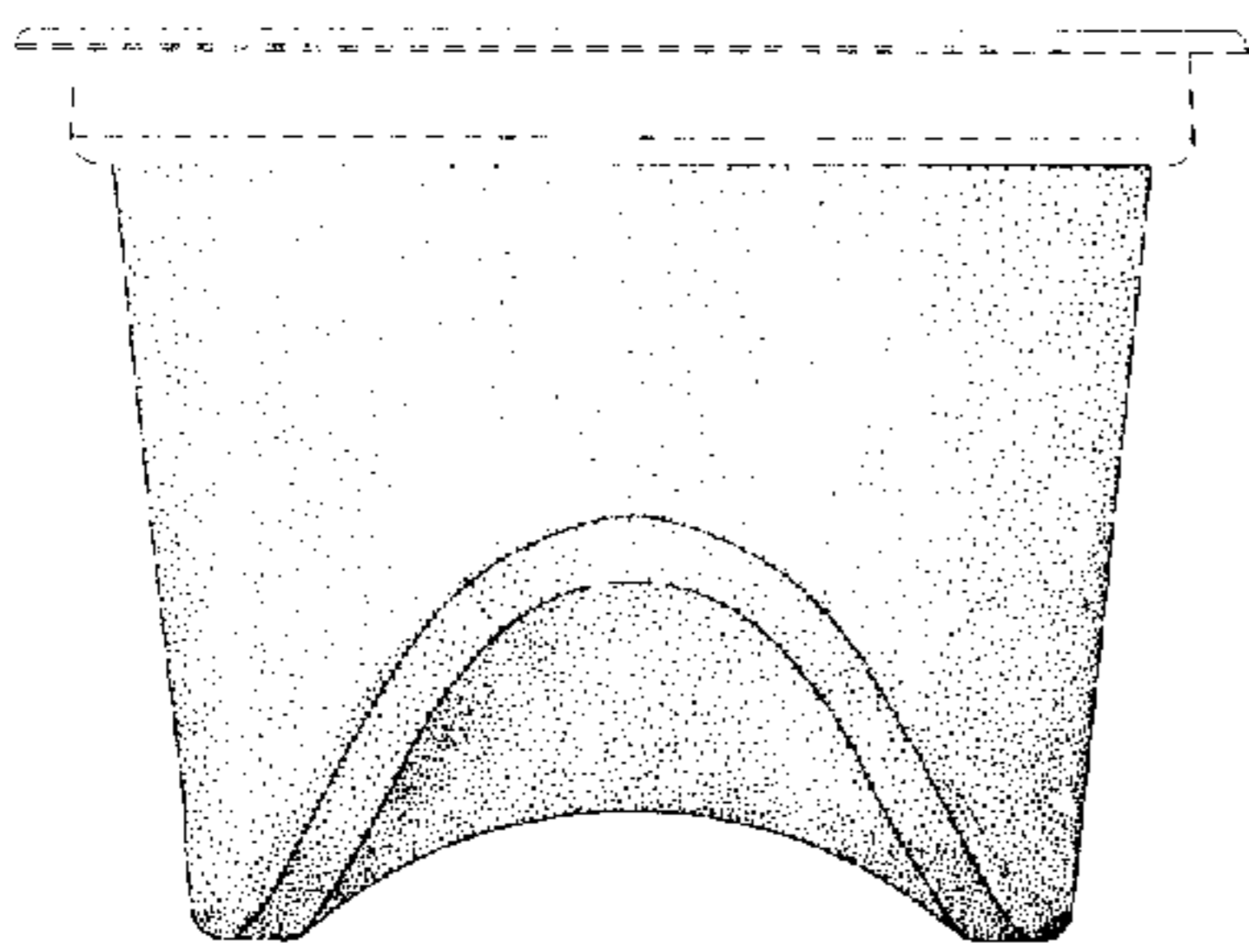


Fig. 8

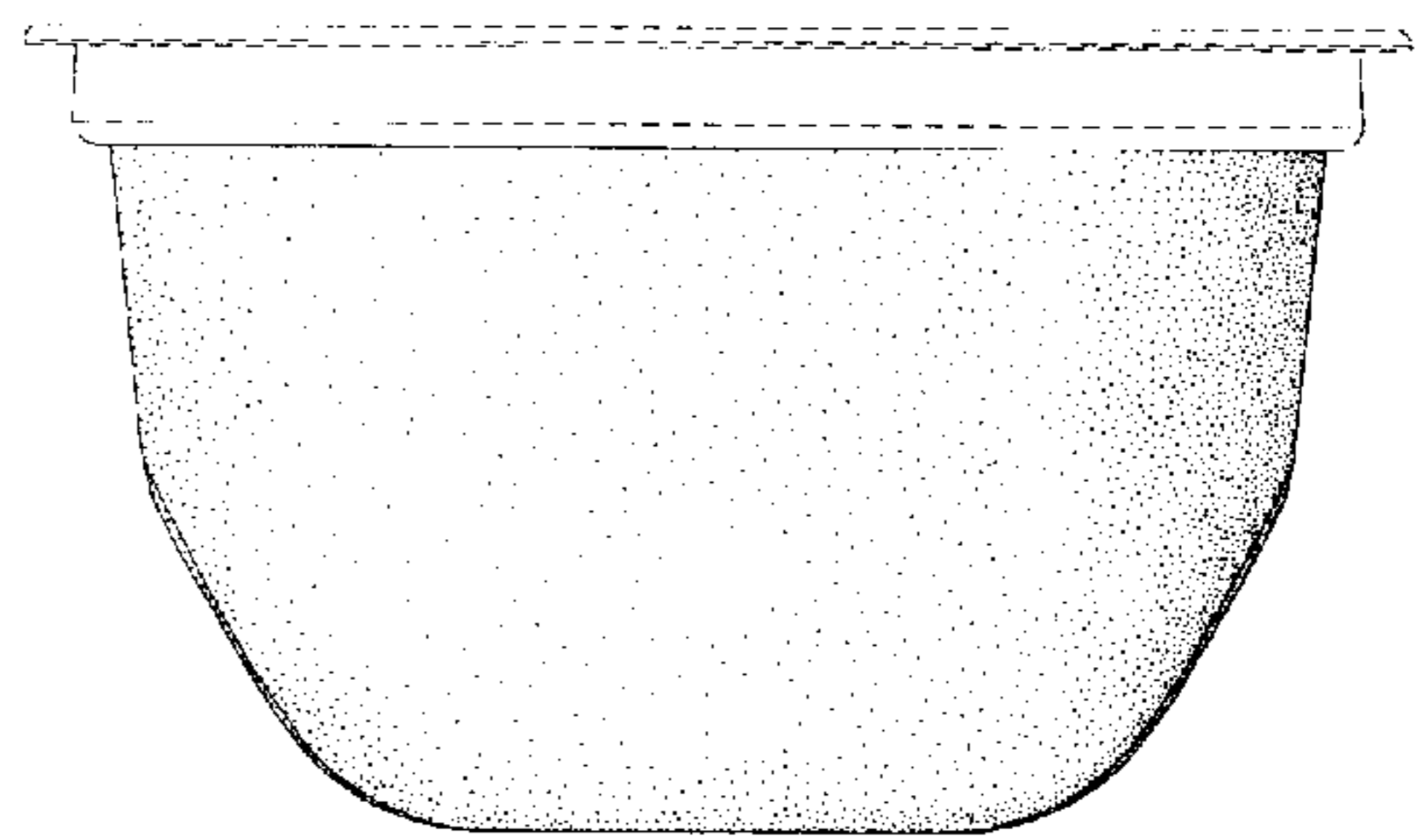


Fig. 7

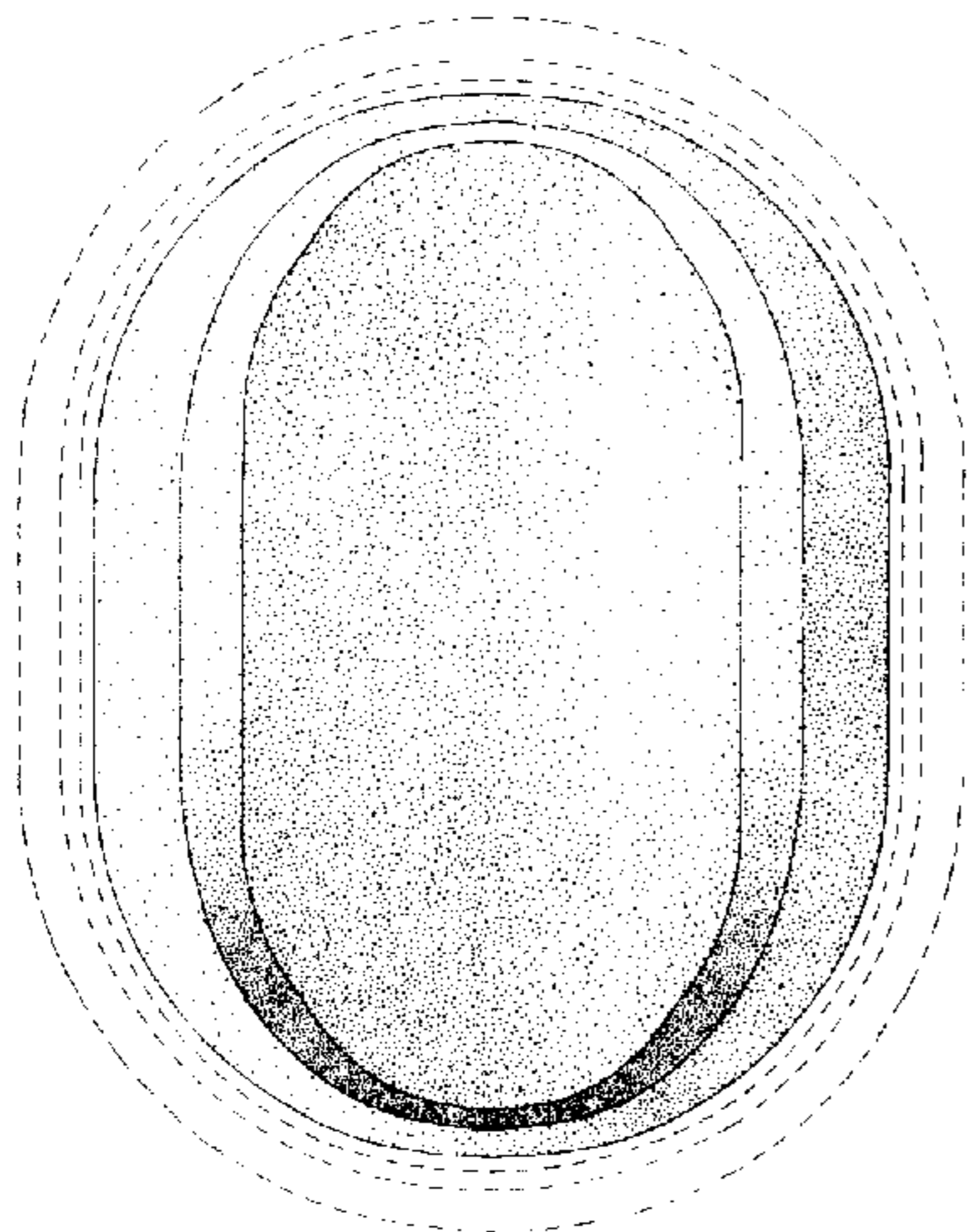


Fig. 10