



US00D452148B1

(12) **United States Design Patent**  
**Friedberg**

(10) **Patent No.:** **US D452,148 S**

(45) **Date of Patent:** **\*\* Dec. 18, 2001**

(54) **COMBINATION CONTAINER AND RETENTION DEVICE**

(76) **Inventor:** **Eric Friedberg**, 140 Crafts St.,  
Newton, MA (US) 02460

(\*\*) **Term:** **14 Years**

(21) **Appl. No.:** **29/134,819**

(22) **Filed:** **Dec. 28, 2000**

(51) **LOC (7) Cl.** ..... **09-03**

(52) **U.S. Cl.** ..... **D9/423; D9/432**

(58) **Field of Search** ..... D9/420-424, 432,  
D9/337, 341, 347; D3/201, 273, 294, 295;  
206/216, 223, 349, 508, 592, 525, 524.6,  
307, 305; 220/500, 501, 521, 522, 527,  
528, 553, 836-839, 376, 380, DIG. 26

(56) **References Cited**

**U.S. PATENT DOCUMENTS**

- D. 275,833 \* 10/1984 Malpass ..... D9/423
- D. 336,989 \* 7/1993 Rentz ..... D9/423
- D. 369,295 \* 4/1996 Kobari et al. .... D9/423
- D. 370,627 \* 6/1996 Clark ..... D9/423
- 2,454,527 \* 11/1948 Tascherau ..... 220/DIG. 26
- 2,541,890 \* 2/1951 Schaperkotter et al. .... 20/522
- 2,685,363 \* 8/1954 Falk et al. .... 220/522
- 4,837,590 \* 6/1989 Sprague ..... 206/305

5,692,605 \* 12/1997 Lai ..... 220/522

\* cited by examiner

*Primary Examiner*—Prabhakar Deshmukh

(74) *Attorney, Agent, or Firm*—Kriegsman & Kriegsman

(57) **CLAIM**

The ornamental design for a combination container and retention device, as shown and described.

**DESCRIPTION**

FIG. 1 is a top view of a combination container and retention device of this invention;

FIG. 2 is a front view thereof;

FIG. 3 is a back view thereof;

FIG. 4 is a left side view thereof;

FIG. 5 is a right side view thereof;

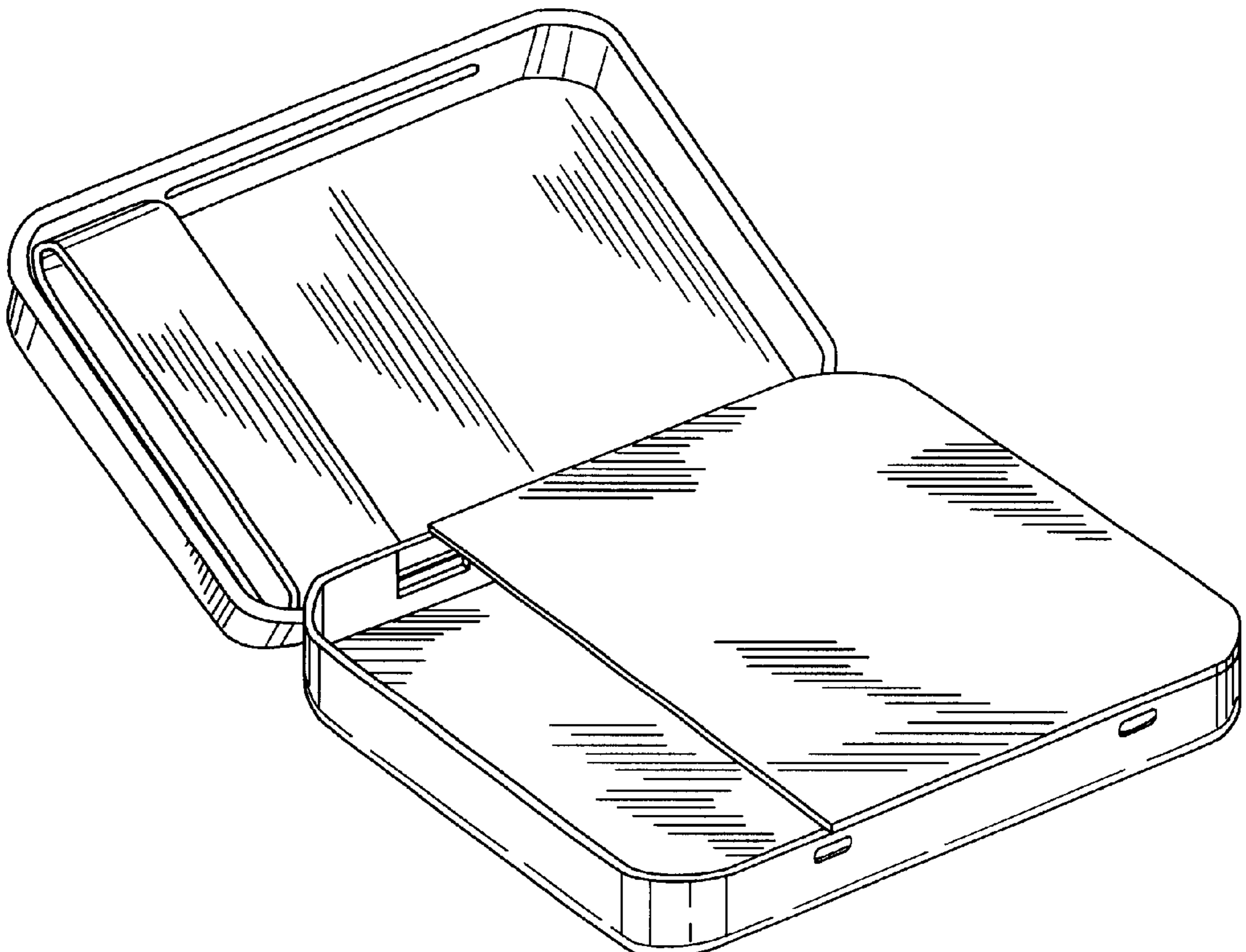
FIG. 6 is a bottom view thereof;

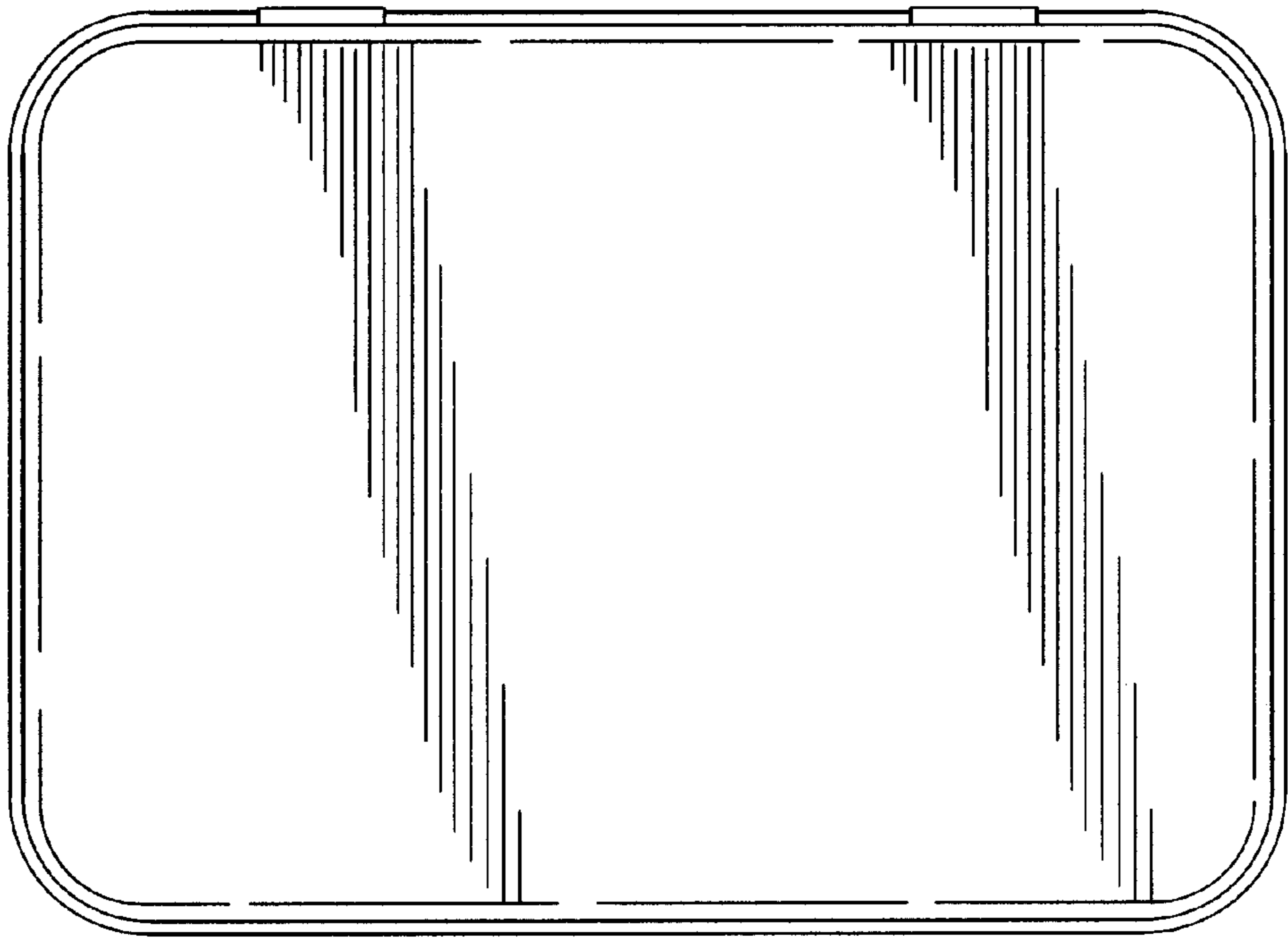
FIG. 7 is an isometric view thereof with the cover in an open position;

FIG. 8 is an isometric view of a modification of the combination container and retention device of this invention with the cover in an open position; and,

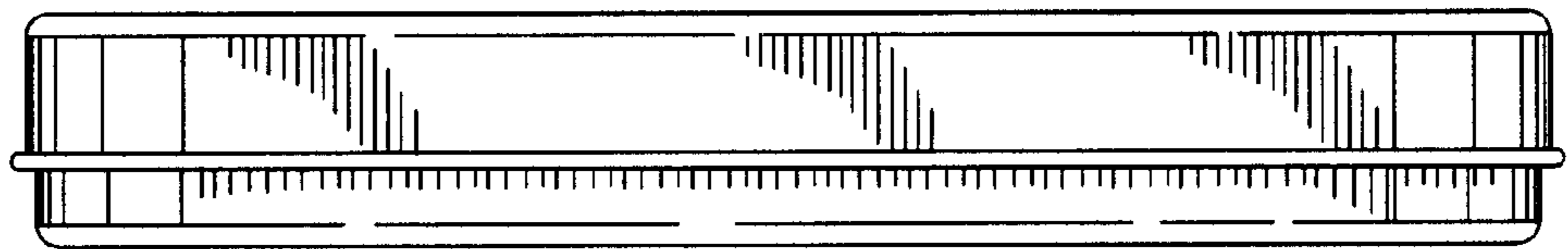
FIG. 9 is an isometric view of another modification of the combination container and retention device of this invention with the cover in an open position.

**1 Claim, 4 Drawing Sheets**

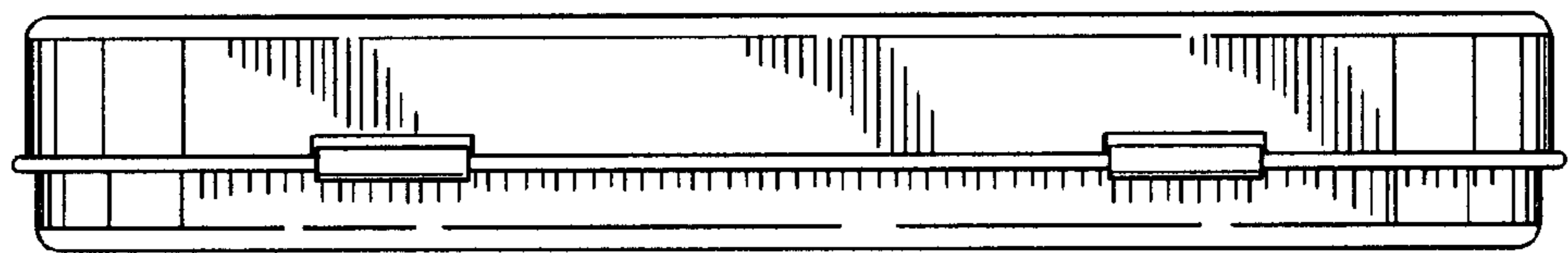




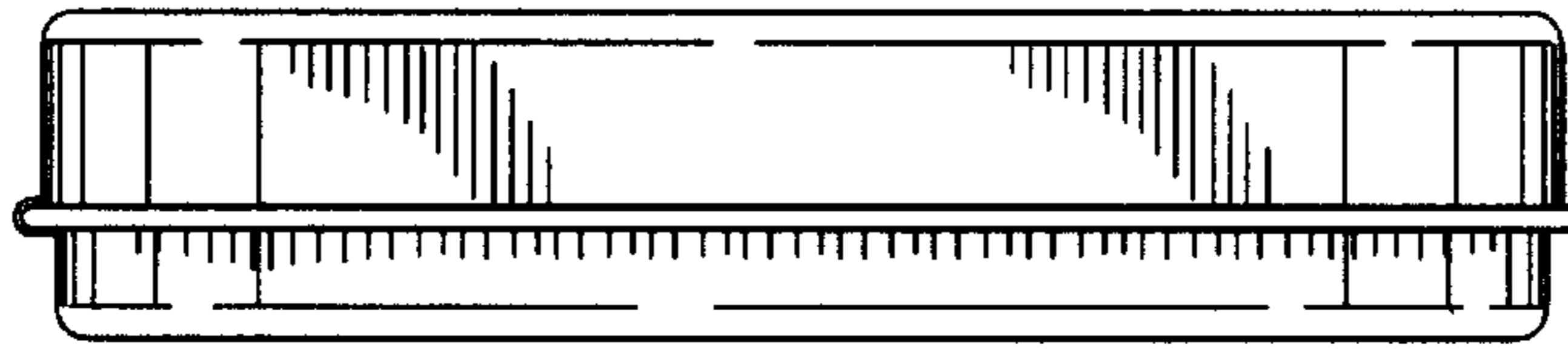
**FIG. 1**



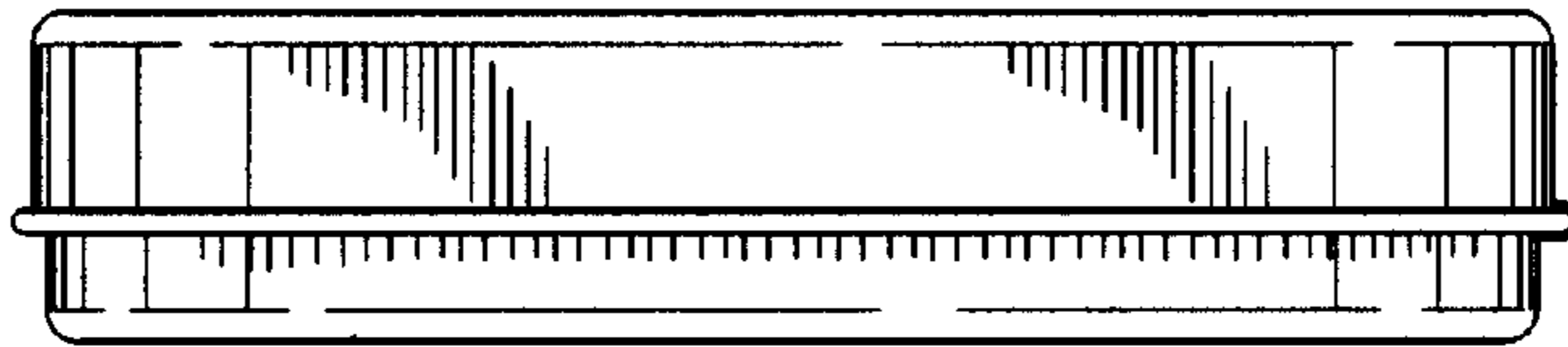
**FIG. 2**



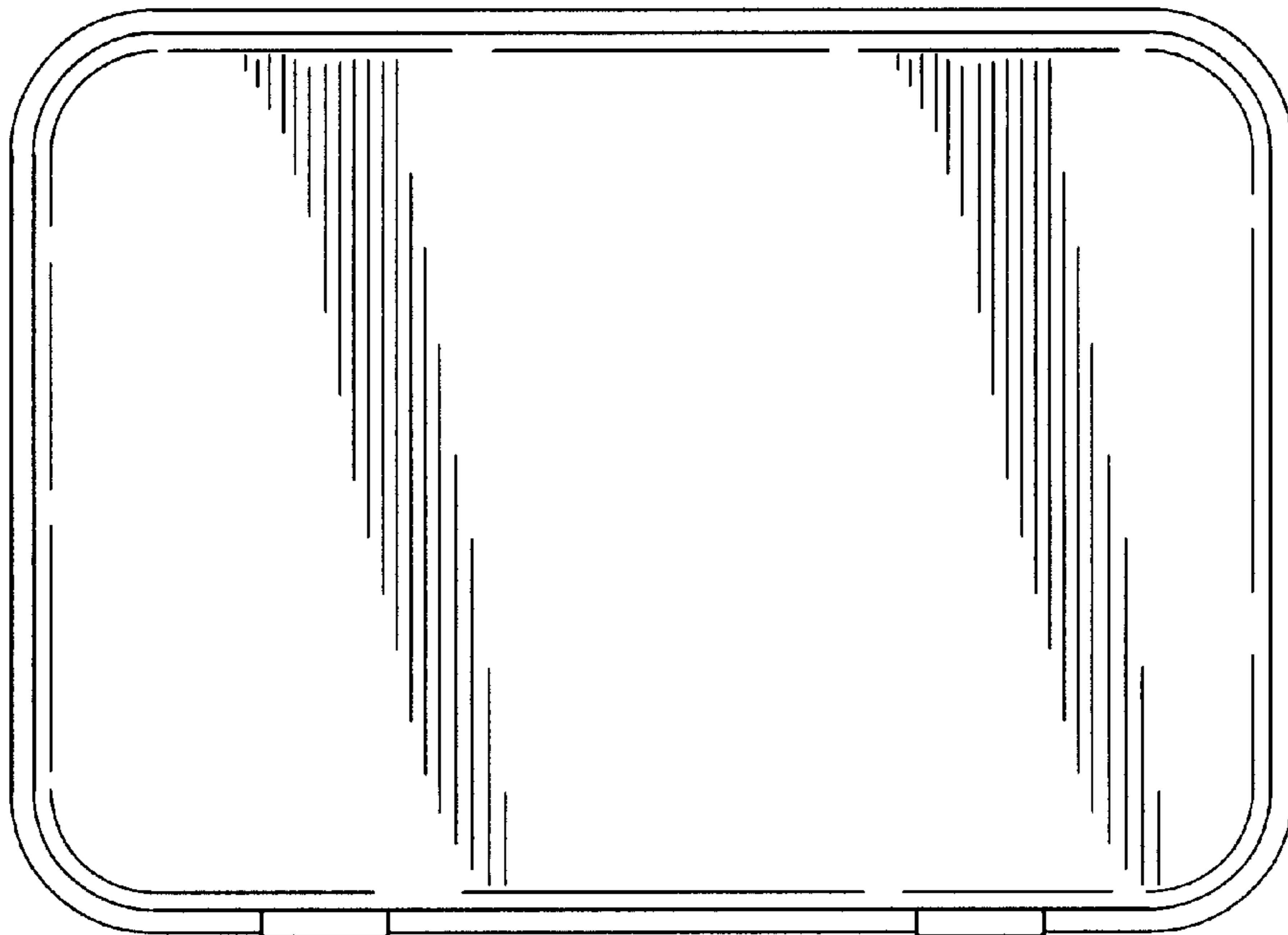
**FIG. 3**



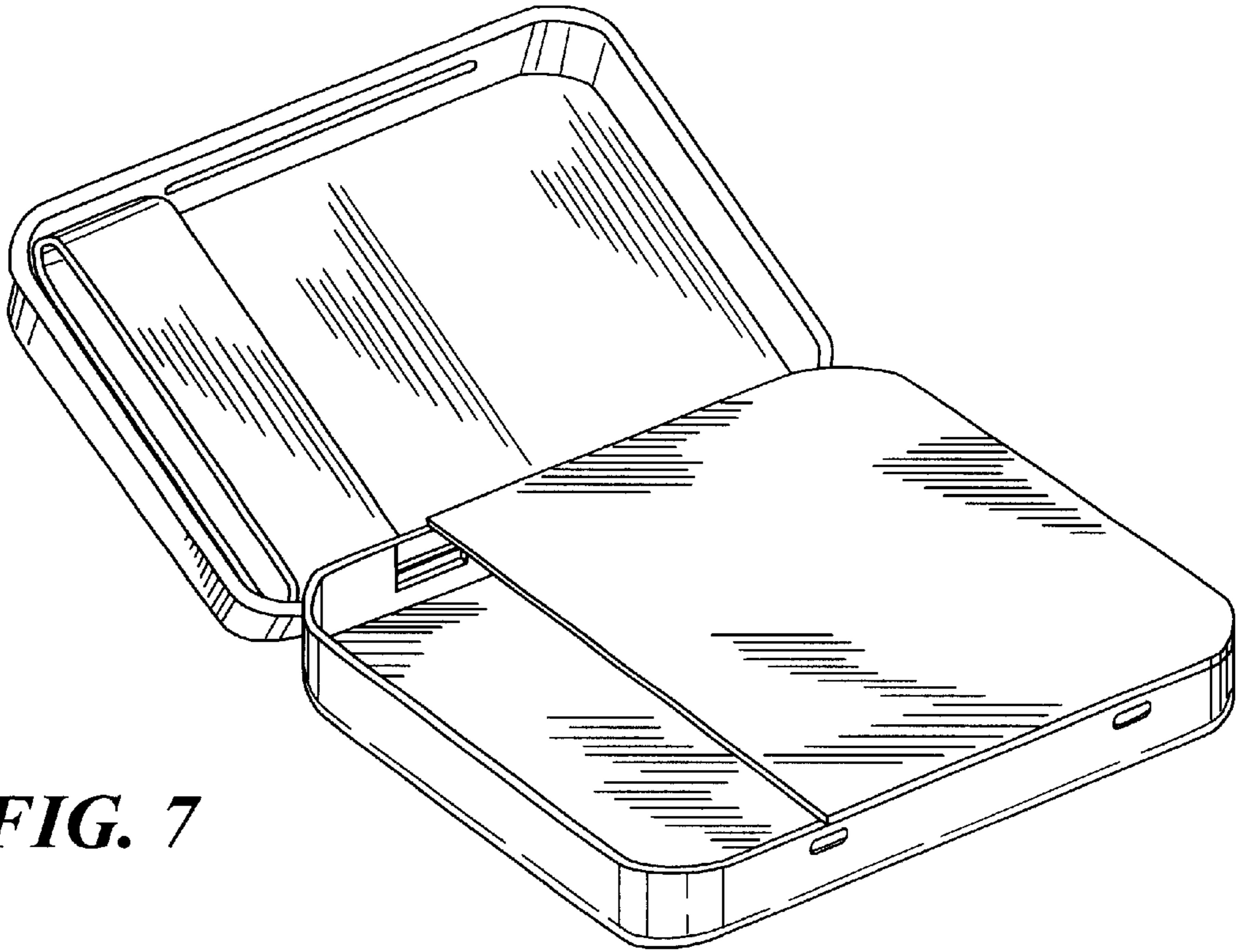
**FIG. 4**



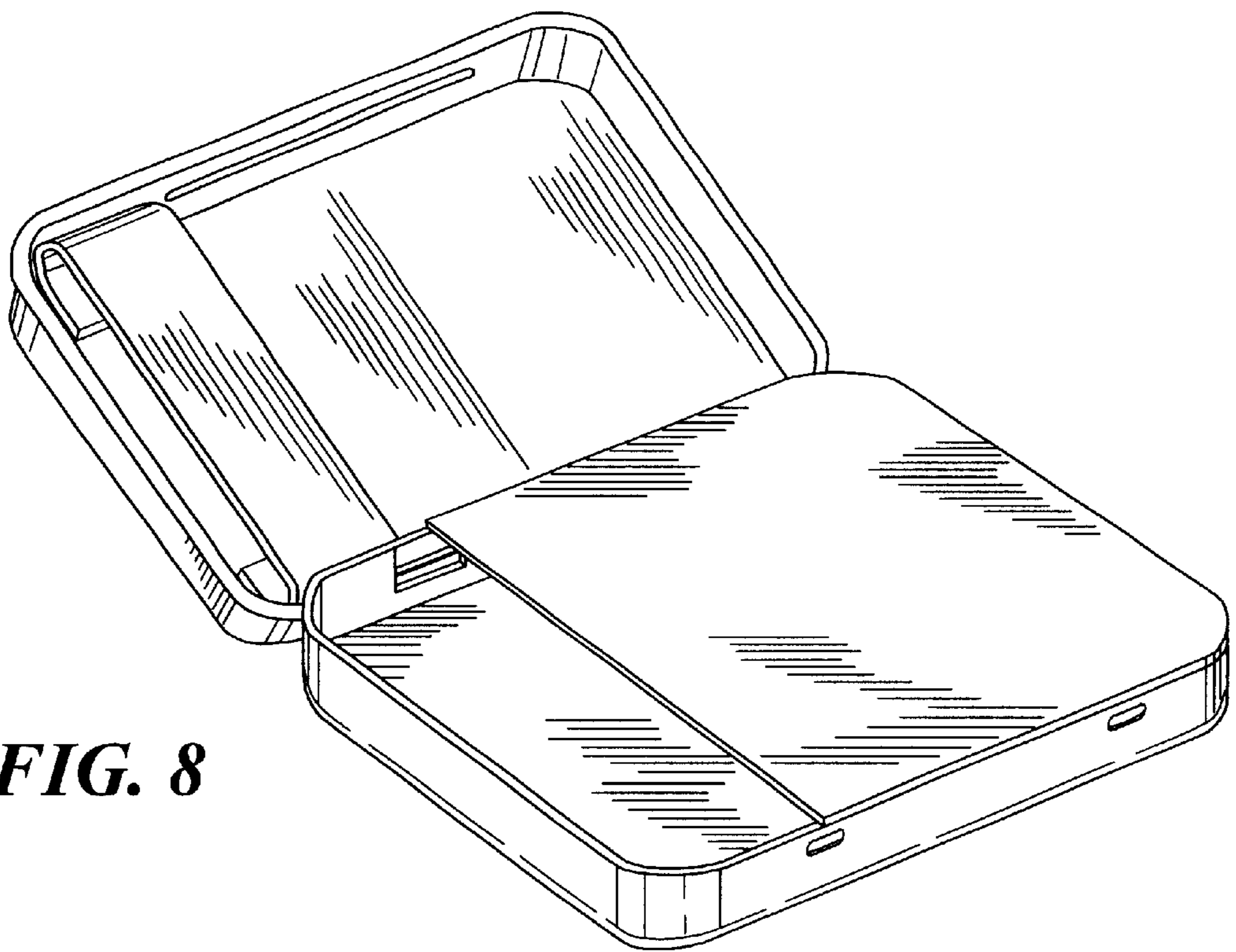
**FIG. 5**



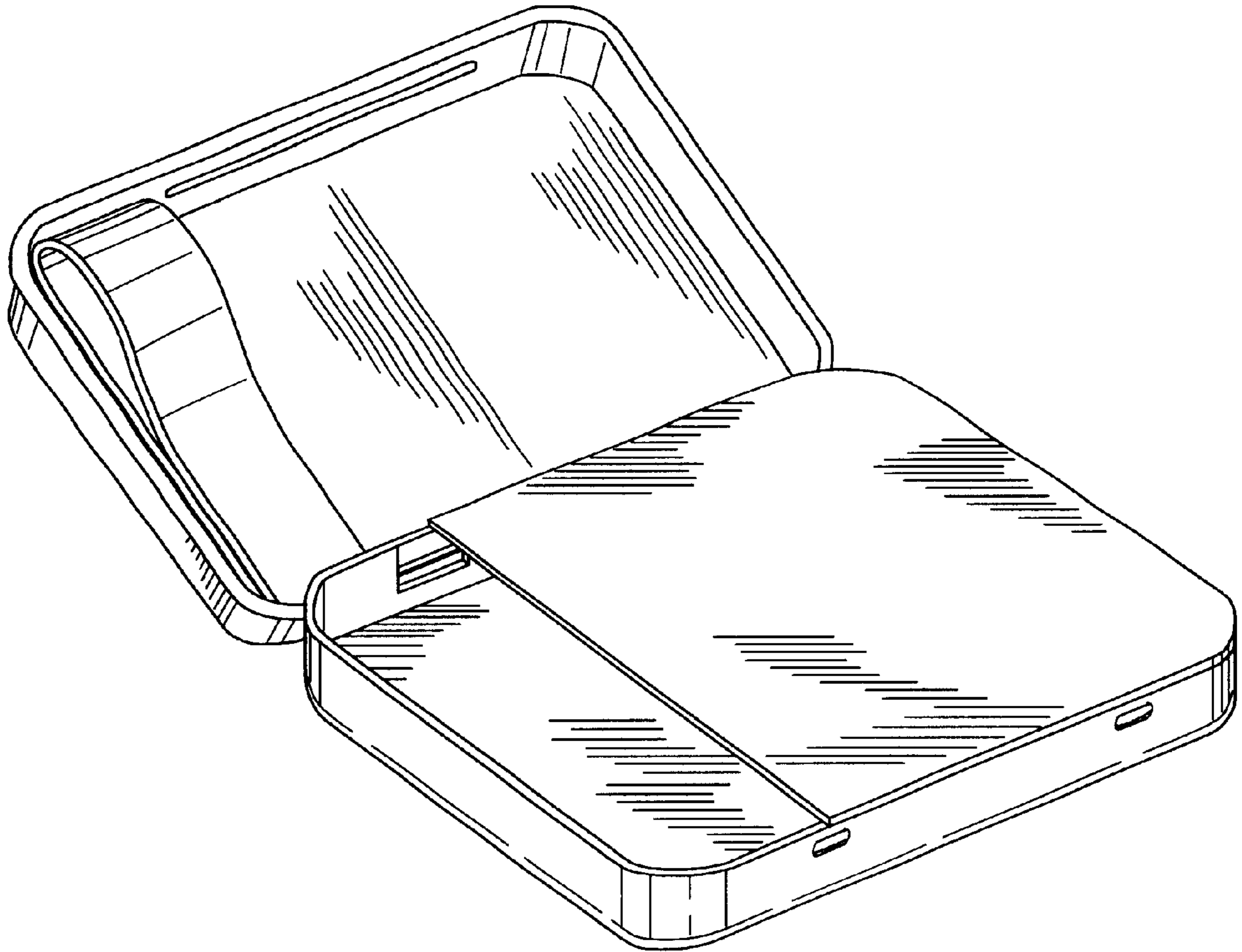
**FIG. 6**



**FIG. 7**



**FIG. 8**



***FIG. 9***