



US00D452146B1

(12) **United States Design Patent**
Lin

(10) **Patent No.:** **US D452,146 S**

(45) **Date of Patent:** **** Dec. 18, 2001**

- (54) **COMBINATION OF A TRAY AND AN ARRANGEMENT OF SHRIMP**
- (75) **Inventor:** **Duke Lin**, Rancho Palos Verdes, CA (US)
- (73) **Assignee:** **Ocean Duke Corporation**, Torrance, CA (US)
- (**) **Term:** **14 Years**
- (21) **Appl. No.:** **29/133,940**
- (22) **Filed:** **Dec. 12, 2000**
- (51) **LOC (7) Cl.** **09-03**
- (52) **U.S. Cl.** **D9/337; D9/428; D9/429**
- (58) **Field of Search** D9/428, 429, 425, D9/341, 337; D7/550.1, 554.4, 556; 206/541, 557; 229/406, 407, 902-906, 87.08; 220/556, 4.21-4.28; 426/106, 112-115, 129, 132, 138, 139

- D. 420,285 * 2/2000 Sagan et al. D9/428
- D. 422,907 * 4/2000 Sagan et al. D9/428
- 4,061,241 * 12/1977 Retelny 220/4.21
- 5,869,120 * 2/1999 Blazeovich 426/132
- 6,168,813 * 1/2001 Blazeovich 426/132

* cited by examiner

Primary Examiner—Prabhakar Deshmukh
(74) *Attorney, Agent, or Firm*—Kelly Bauersfeld Lowry & Kelley, LLP

(57) **CLAIM**

The ornamental design for the combination of a tray and an arrangement of shrimp, as shown and described.

DESCRIPTION

FIG. 1 is a perspective view of a combination of a tray and an arrangement of shrimp showing my new design;
FIG. 2 is a top plan view thereof;
FIG. 3 is a side view thereof;
FIG. 4 is a perspective view of a tray; without shrimp and central piece; shown separately for clarity;
FIG. 5 is a top plan view of FIG. 4; and,
FIG. 6 is a side view of FIG. 4.

(56) **References Cited**

U.S. PATENT DOCUMENTS

- D. 342,646 * 12/1993 Sicard et al. D7/556
- D. 346,554 * 5/1994 Krupa D9/429

1 Claim, 2 Drawing Sheets

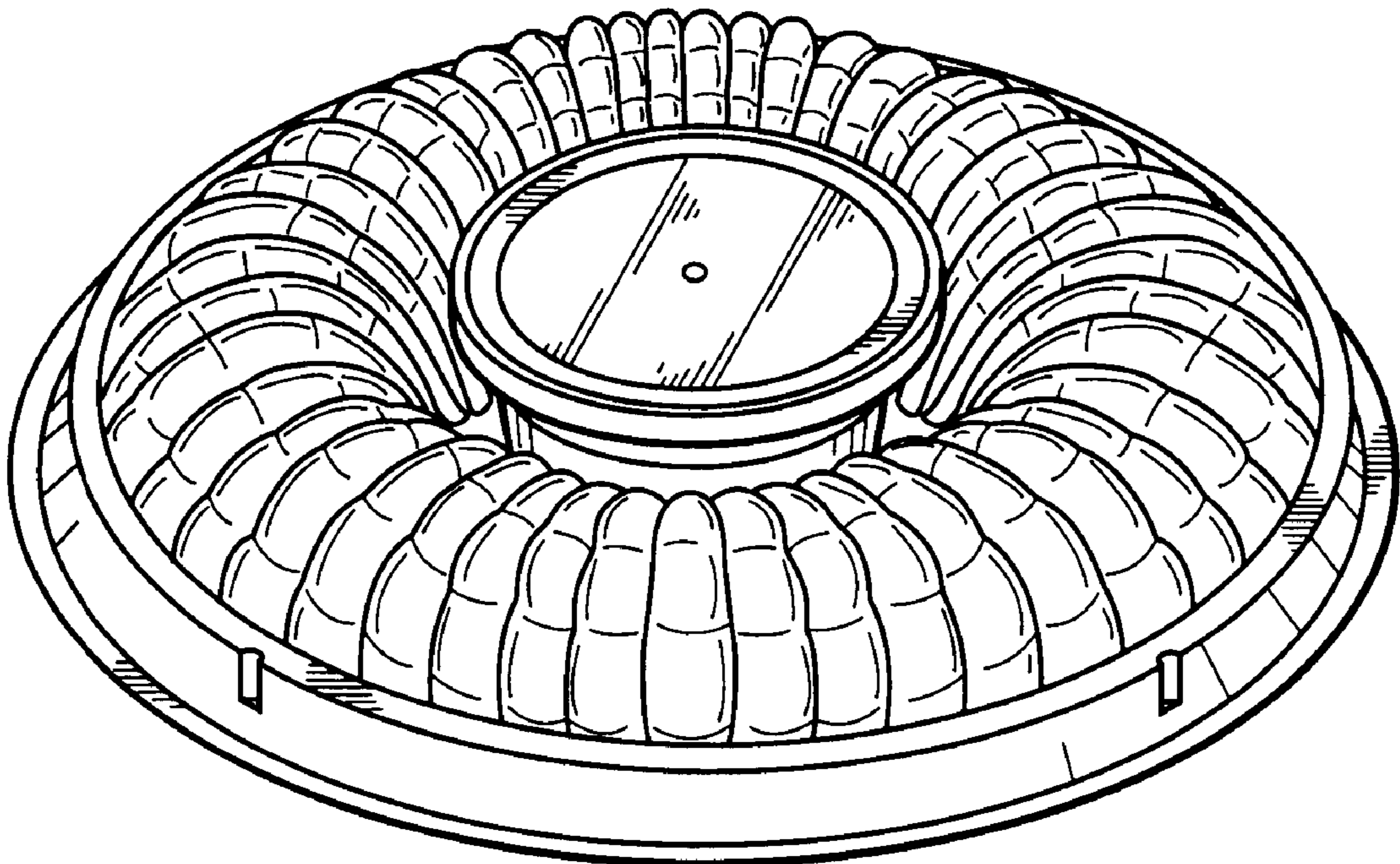


FIG. 1

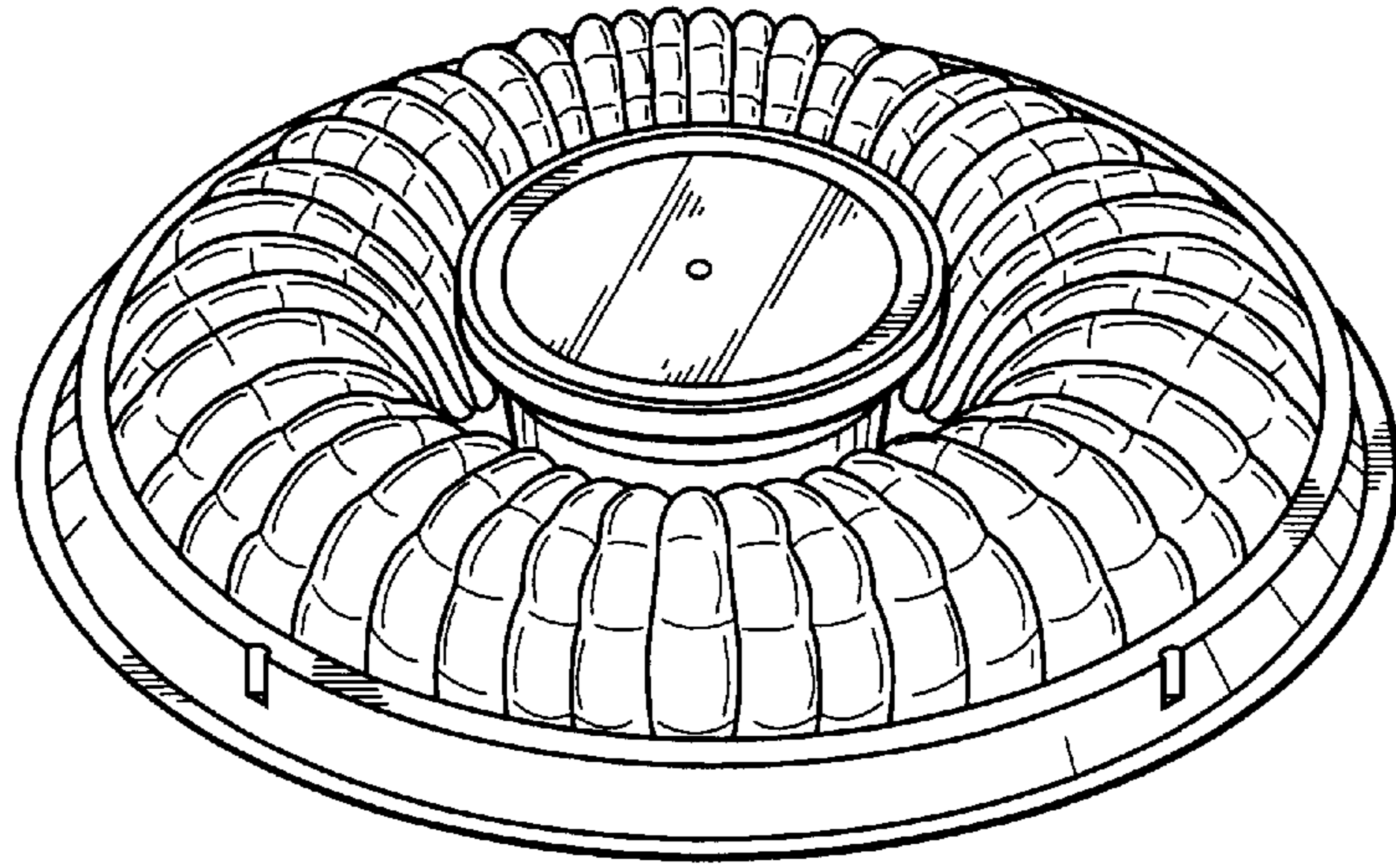


FIG. 2

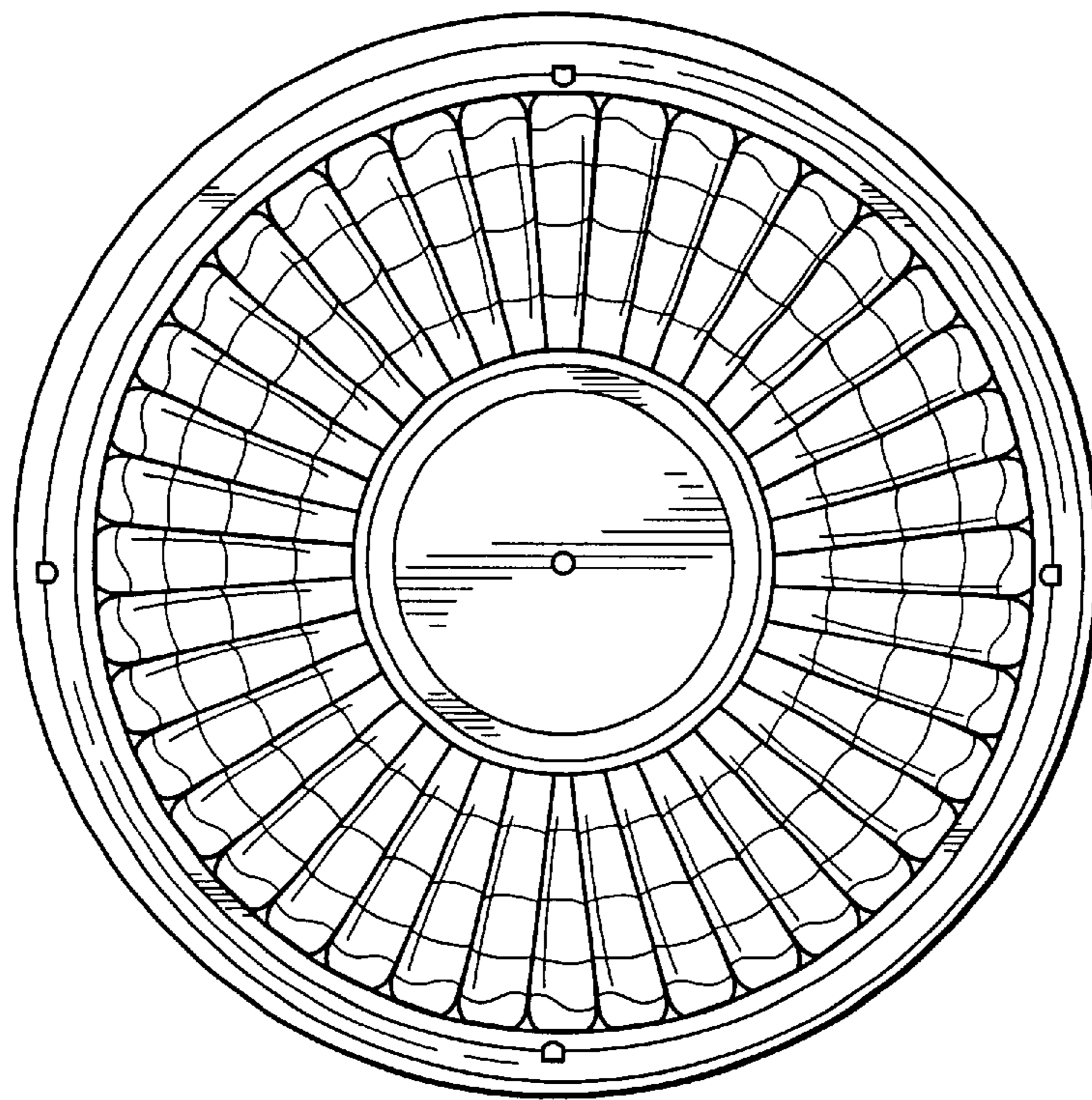
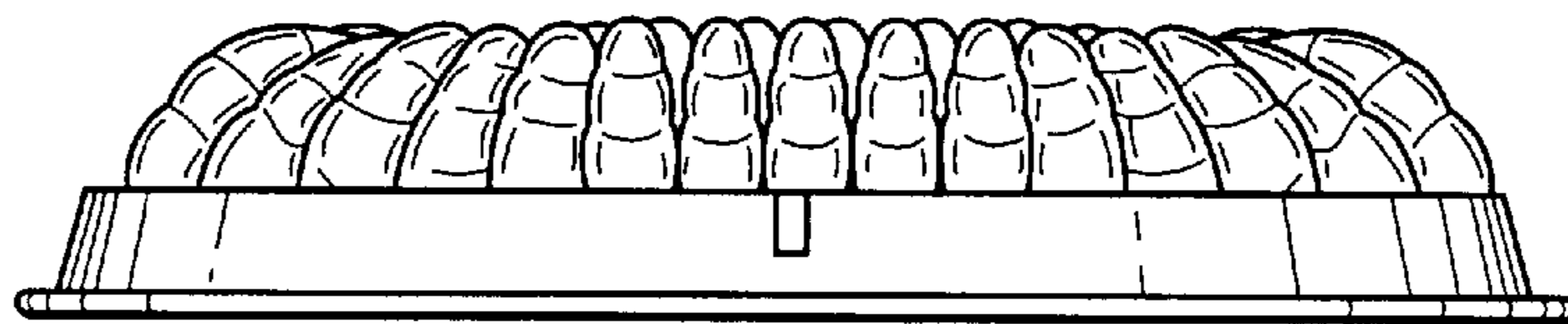


FIG. 3



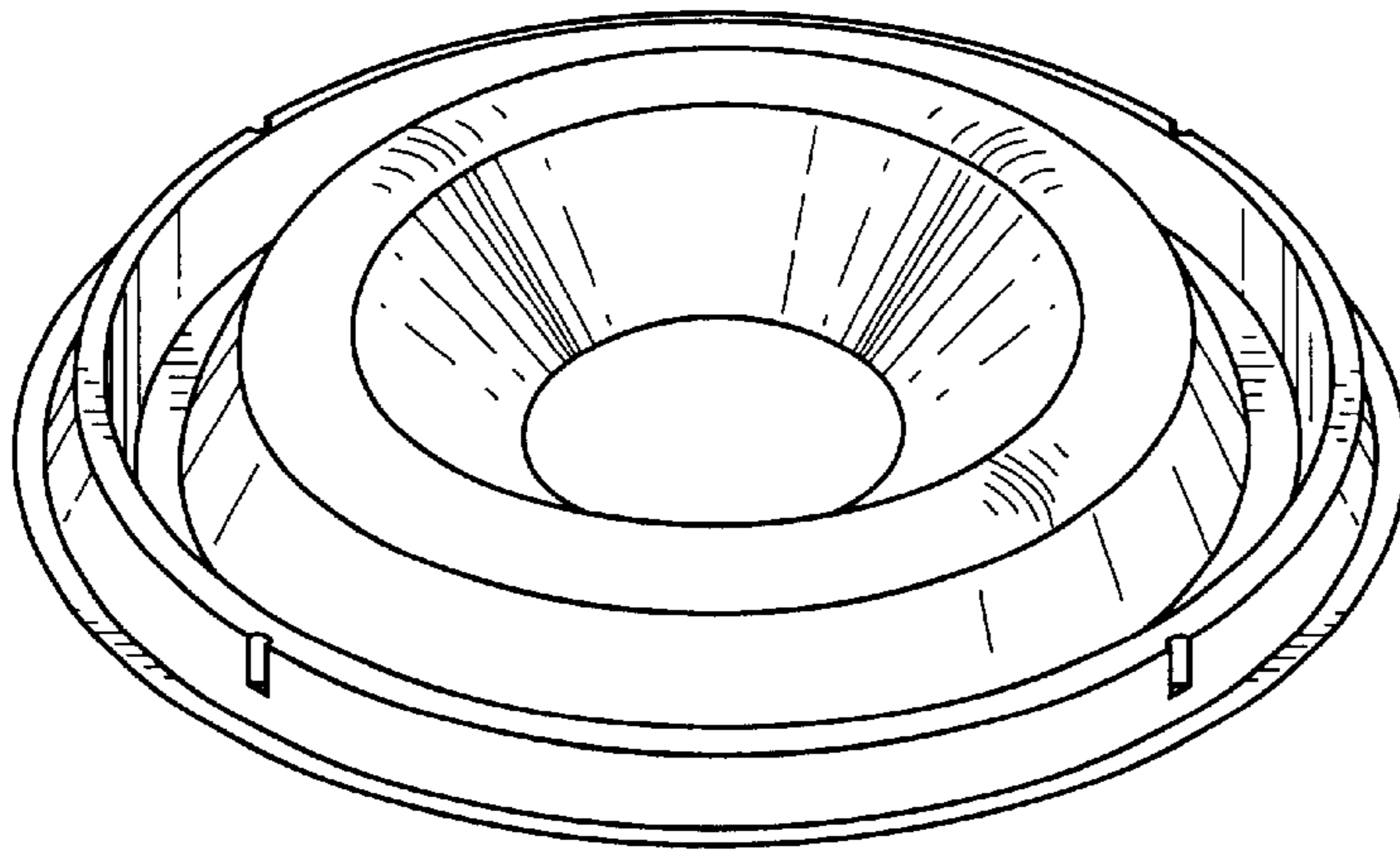


FIG. 4

FIG. 5

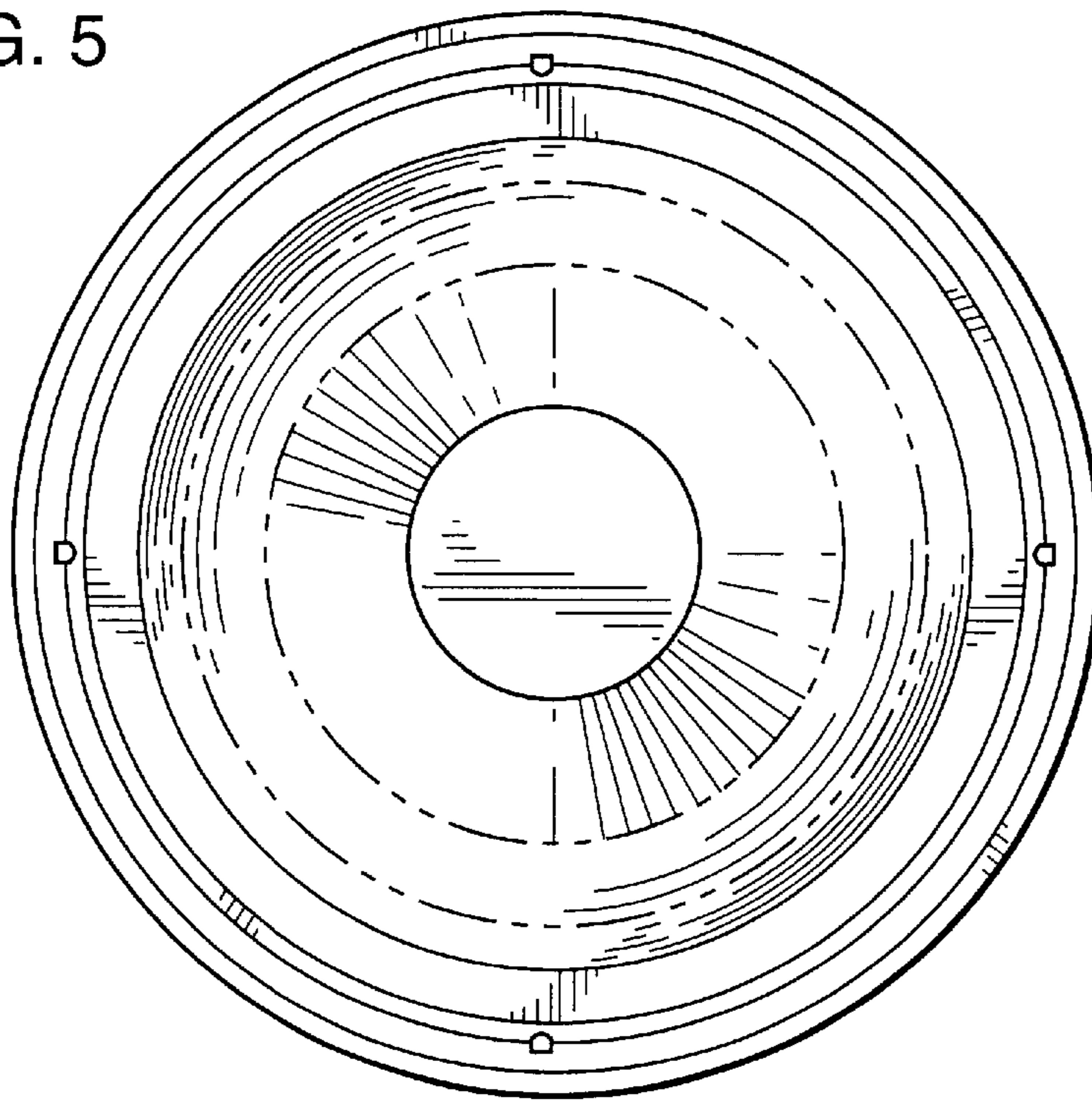


FIG. 6

