

US00D452140B1

(12) **United States Design Patent**  
**Shinjo et al.**

(10) **Patent No.:** **US D452,140 S**

(45) **Date of Patent:** **\*\* Dec. 18, 2001**

(54) **CLINCH NUT**

(75) Inventors: **Katsumi Shinjo**, Osaka; **Tadashi Shinjo**, Sakai; **Hiroshi Shinjo**, Osaka, all of (JP)

(73) Assignee: **Yugenkaisha Shinjo Seisakusho**, Osaka (JP)

(\*\*) Term: **14 Years**

(21) Appl. No.: **29/131,914**

(22) Filed: **Oct. 31, 2000**

(30) **Foreign Application Priority Data**

May 11, 2000 (JP) ..... 12-012358

(51) **LOC (7) Cl.** ..... **08-08**

(52) **U.S. Cl.** ..... **D8/397**

(58) **Field of Search** ..... D8/397, 399; 411/172, 411/174, 175, 179, 184, 427, 429, 432, 533, 978, 190, 910, 330, 326, 205, 222

(56) **References Cited**

**U.S. PATENT DOCUMENTS**

- D. 223,747 \* 6/1972 Shinjo ..... D8/397
- D. 226,518 \* 3/1973 Wetherill ..... D8/397
- 3,219,790 \* 11/1965 Johnson .
- 3,736,969 \* 6/1973 Wörn et al. .

**OTHER PUBLICATIONS**

Machine Design—The Fasteners Book; p. 114; Decker Weld Nut (right nut), Sep. 29, 1960.\*

\* cited by examiner

*Primary Examiner*—B. J. Bullock

(74) *Attorney, Agent, or Firm*—Antonelli, Terry, Stout & Kraus, LLP

(57) **CLAIM**

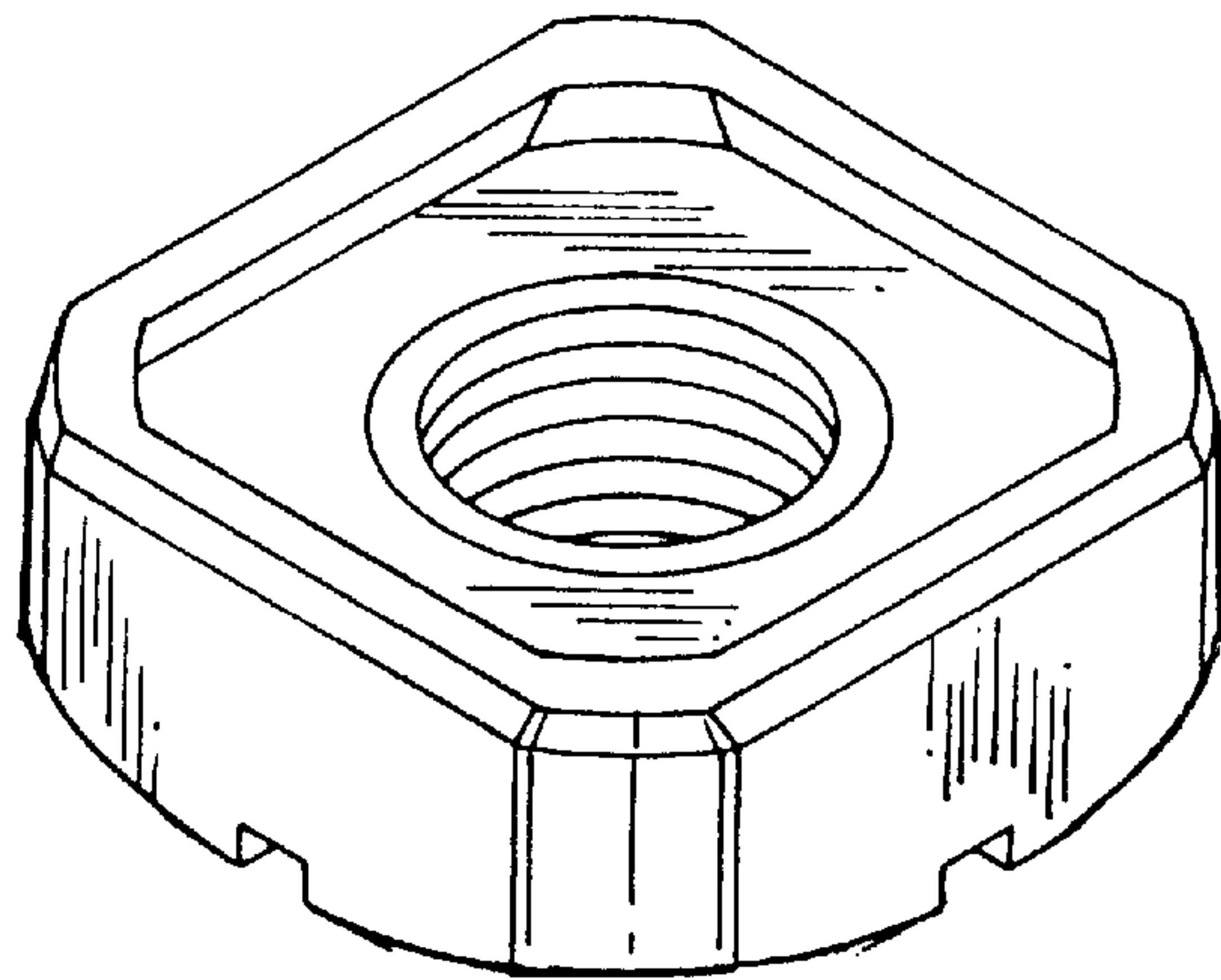
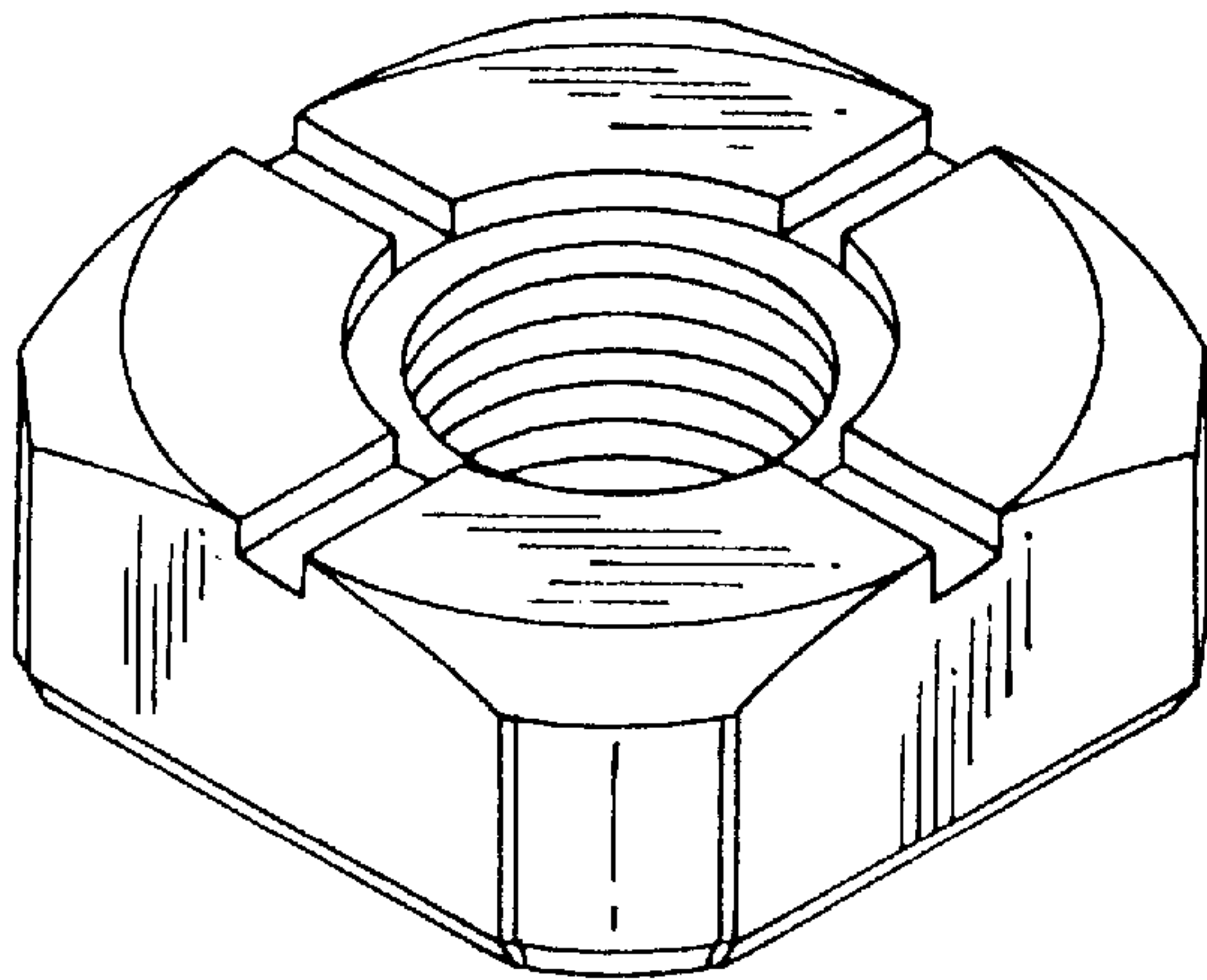
The ornamental design for a clinch nut, as shown and described.

**DESCRIPTION**

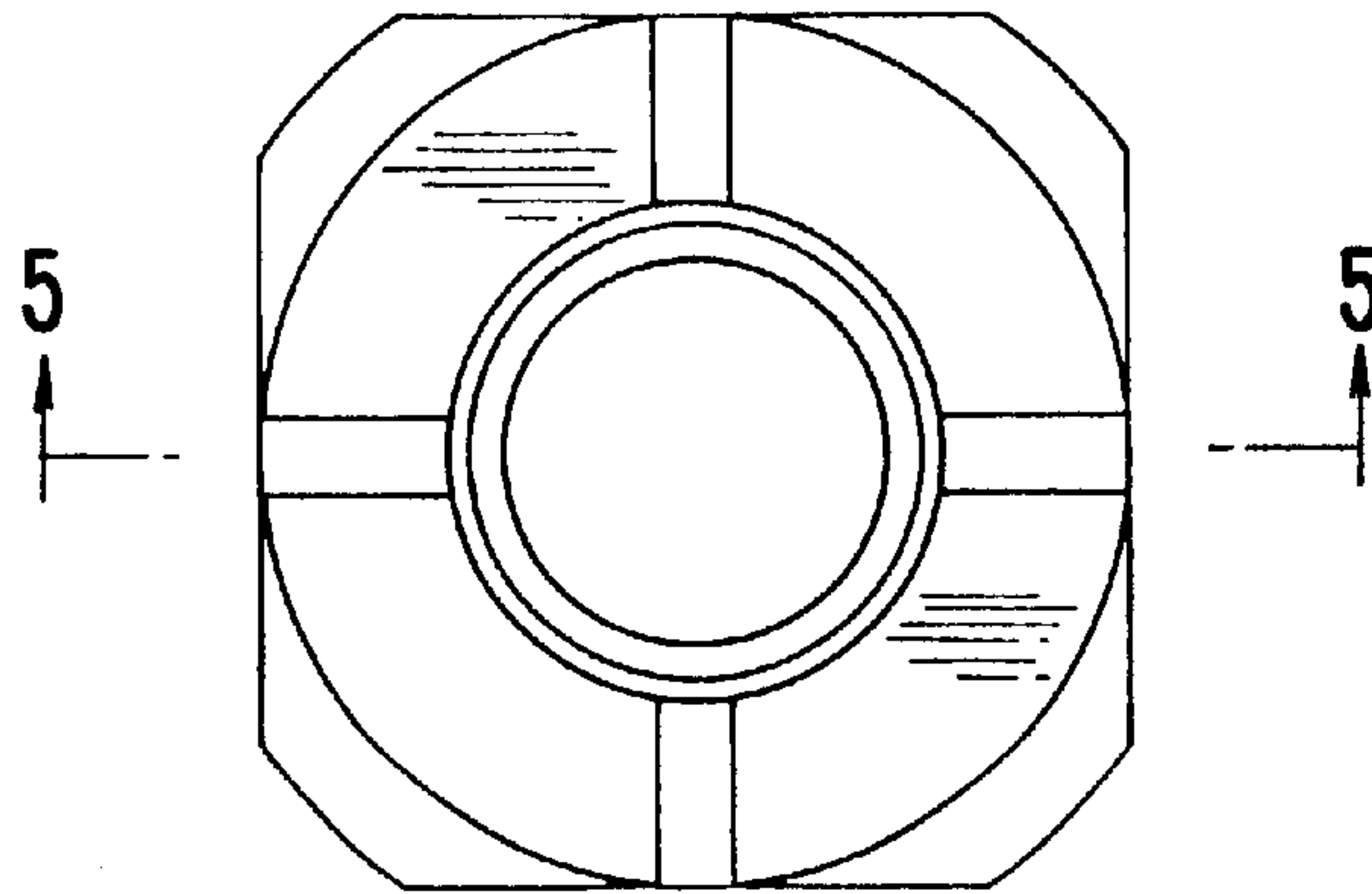
FIG. 1 is a top plan view;  
 FIG. 2 is a front elevation;  
 FIG. 3 is a bottom plan view;  
 FIG. 4 is a right-side elevation;  
 FIG. 5 is a cross section taken along the line 5—5 in FIG. 1;  
 FIG. 6 is a downwards perspective view; and,  
 FIG. 7 is an upward perspective view.

The present design is characterized by the inwardly slanted peripheral wall formed around the central female-threaded hole of the nut, which has in its face a cruciform groove.

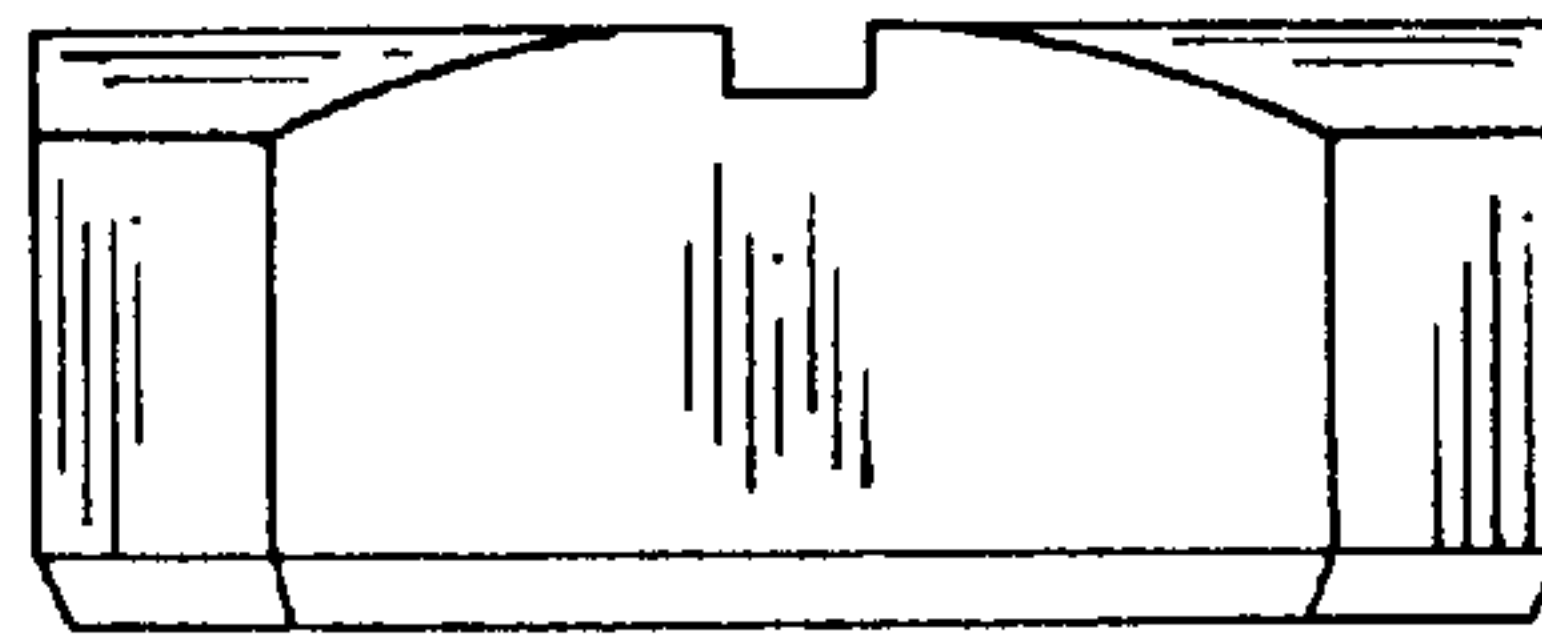
**1 Claim, 3 Drawing Sheets**



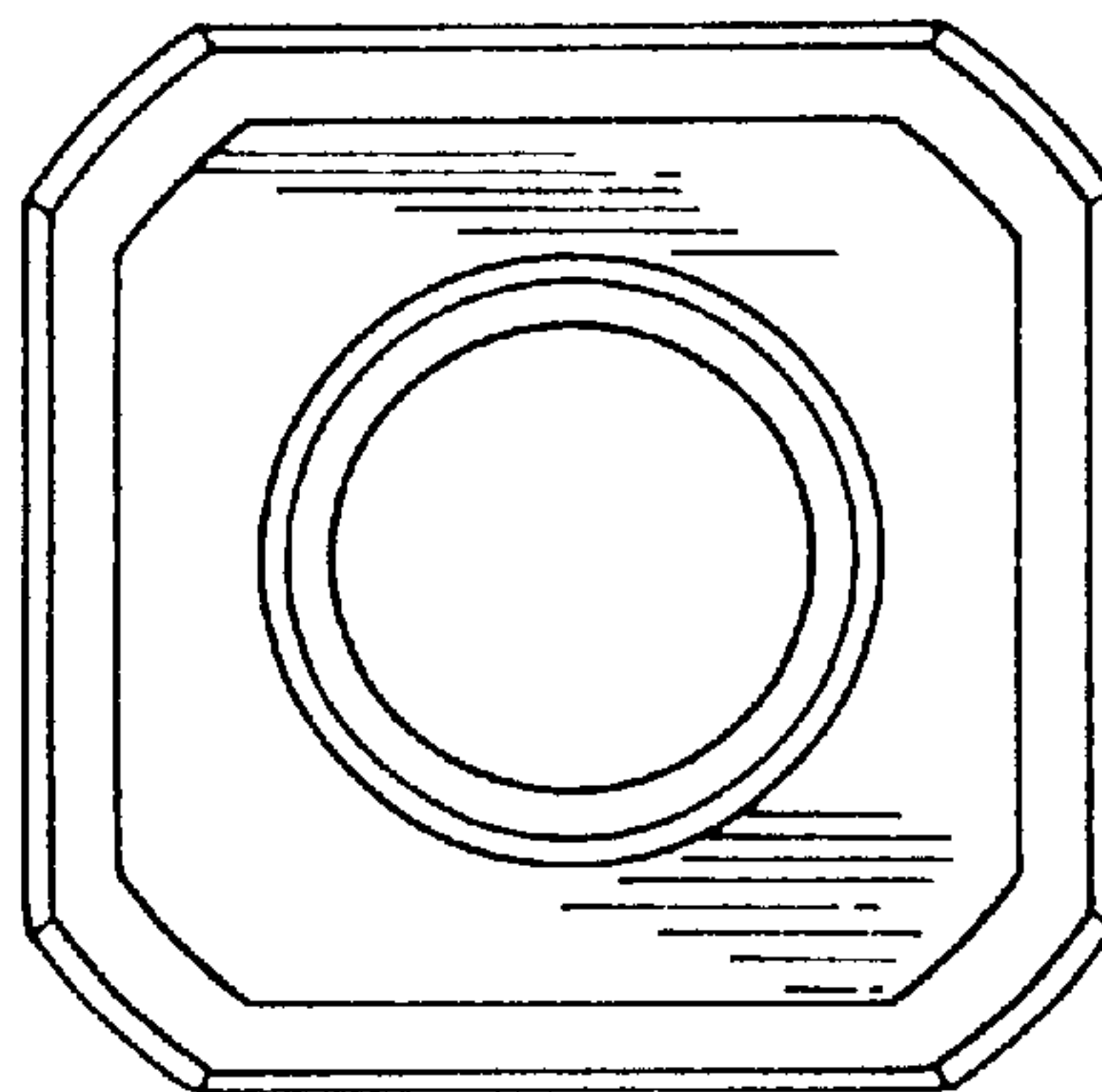
**Fig. 1**



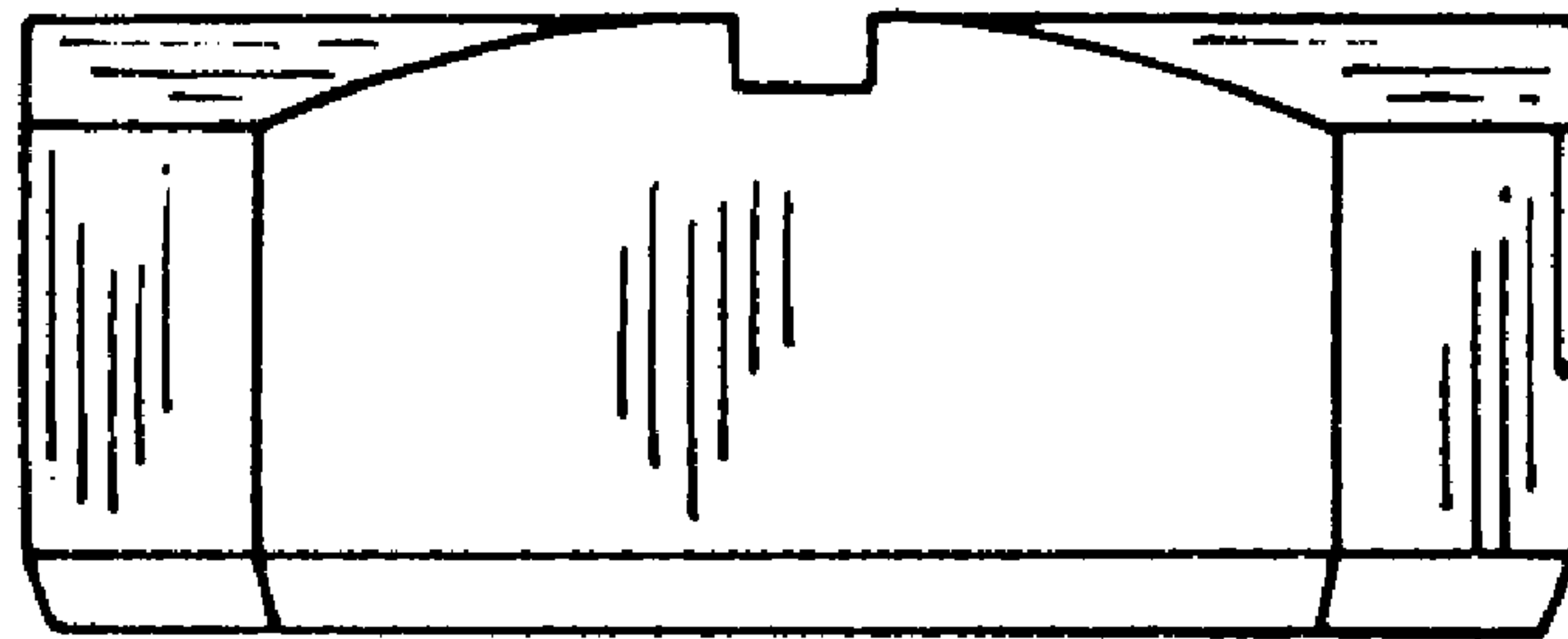
**Fig. 2**



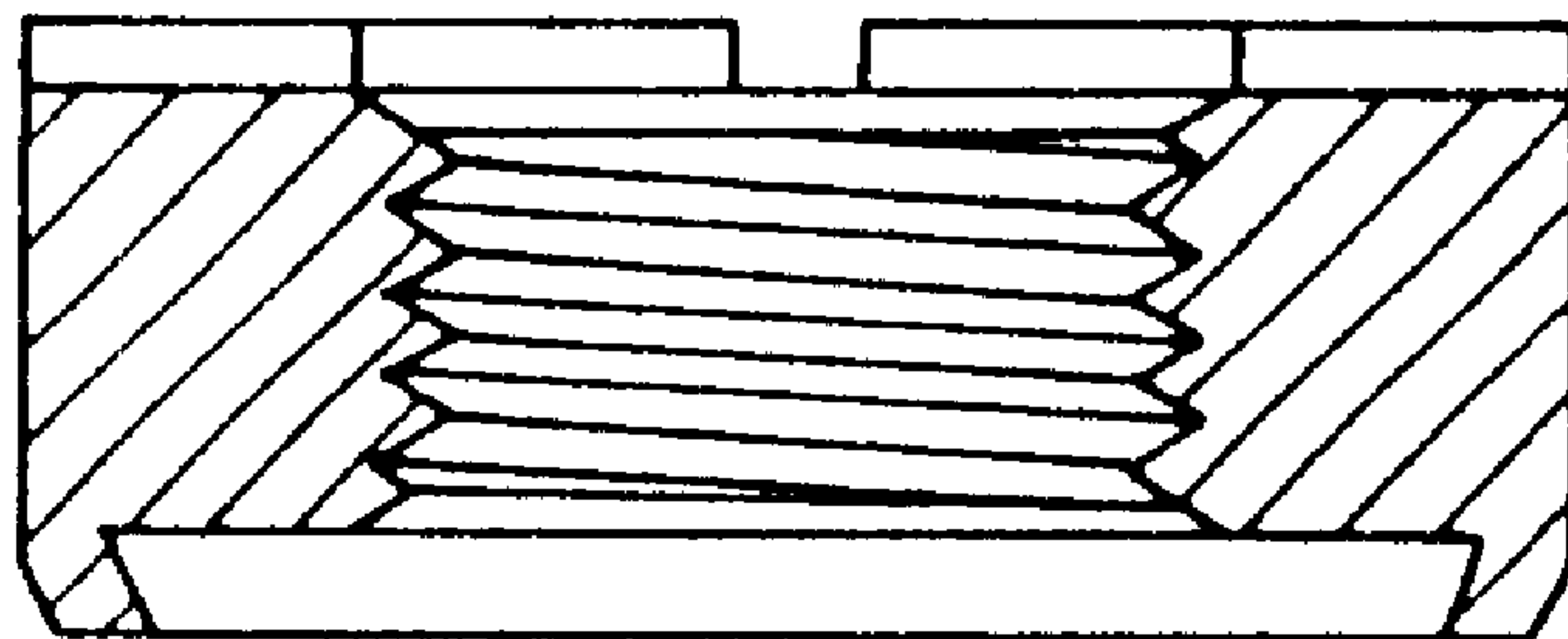
**Fig. 3**



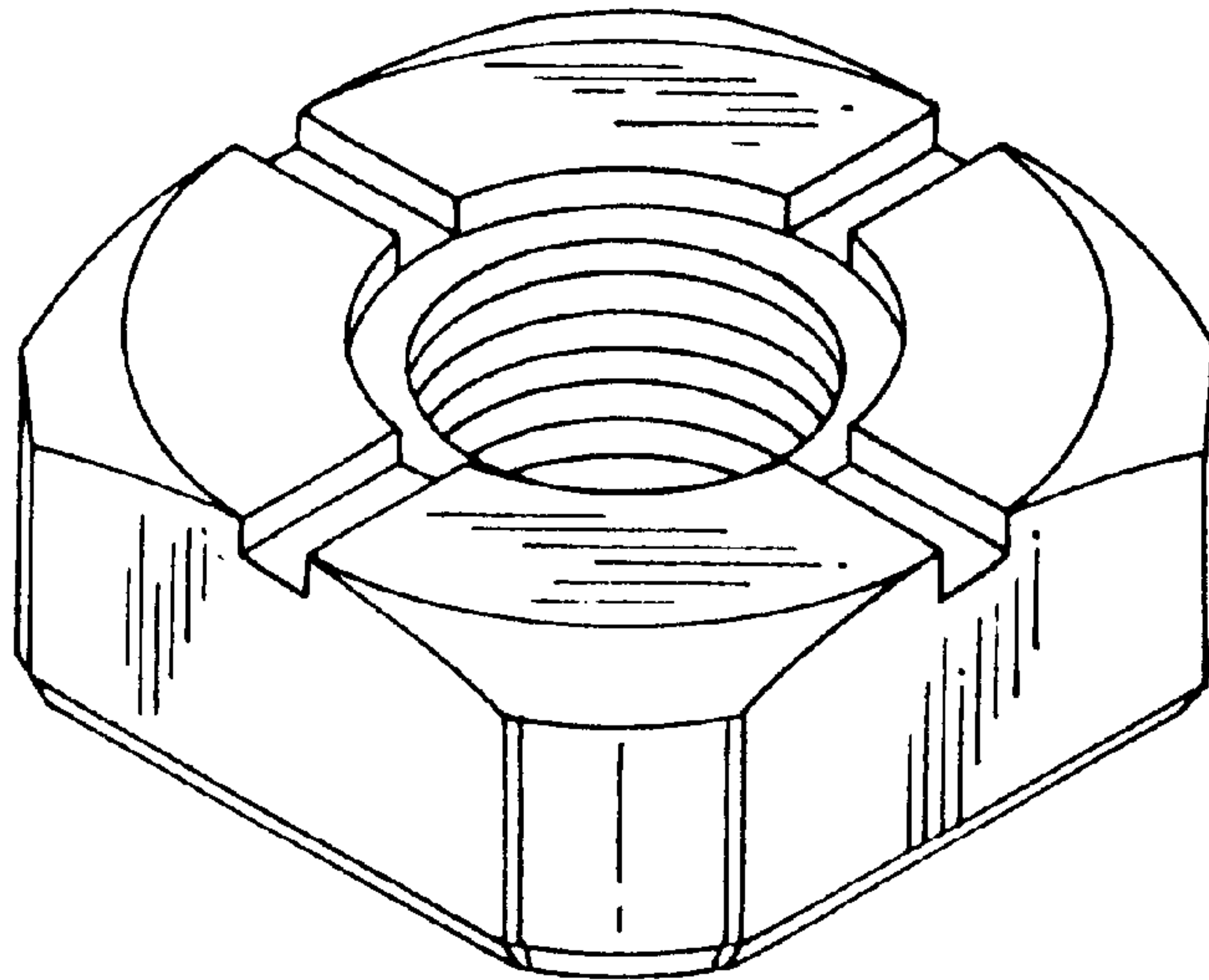
**Fig. 4**



**Fig. 5**



**Fig. 6**



**Fig. 7**

