



US00D452139B1

(12) **United States Design Patent**
Murata

(10) **Patent No.:** **US D452,139 S**

(45) **Date of Patent:** **** Dec. 18, 2001**

(54) **CORD END**

(75) Inventor: **Koji Murata**, Lille (FR)

(73) Assignee: **YKK Corporation**, Tokyo (JP)

(**) Term: **14 Years**

(21) Appl. No.: **29/139,692**

(22) Filed: **Apr. 5, 2001**

(30) **Foreign Application Priority Data**

Oct. 5, 2000 (FR) 00 5756

(51) **LOC (7) Cl.** **08-08**

(52) **U.S. Cl.** **D8/394; D8/395**

(58) **Field of Search** D8/394, 395, 396;
24/3.7, 3.12, 68 E, 71 R, 115 R, 265 R,
265 EC, 265 BC, 267, 489, 564, 711.4;
D2/978; D19/65

(56) **References Cited**

U.S. PATENT DOCUMENTS

- D. 438,094 * 2/2001 Ishii D8/396
- D. 443,816 * 6/2001 Ikeda D8/396

3,331,106 * 7/1967 Ruskin 24/123

* cited by examiner

Primary Examiner—Adir Aronovich

Assistant Examiner—Daniel Bui

(74) *Attorney, Agent, or Firm*—Jacobson Holman, PLLC

(57) **CLAIM**

The ornamental design for a cord end, as shown and described.

DESCRIPTION

FIG. 1 is a top perspective view showing my new design for a cord end in an opened position;

FIG. 2 is a bottom perspective view thereof;

FIG. 3 is a top perspective view of the cord end in a closed position;

FIG. 4 is a bottom perspective view thereof;

FIG. 5 is a top view thereof;

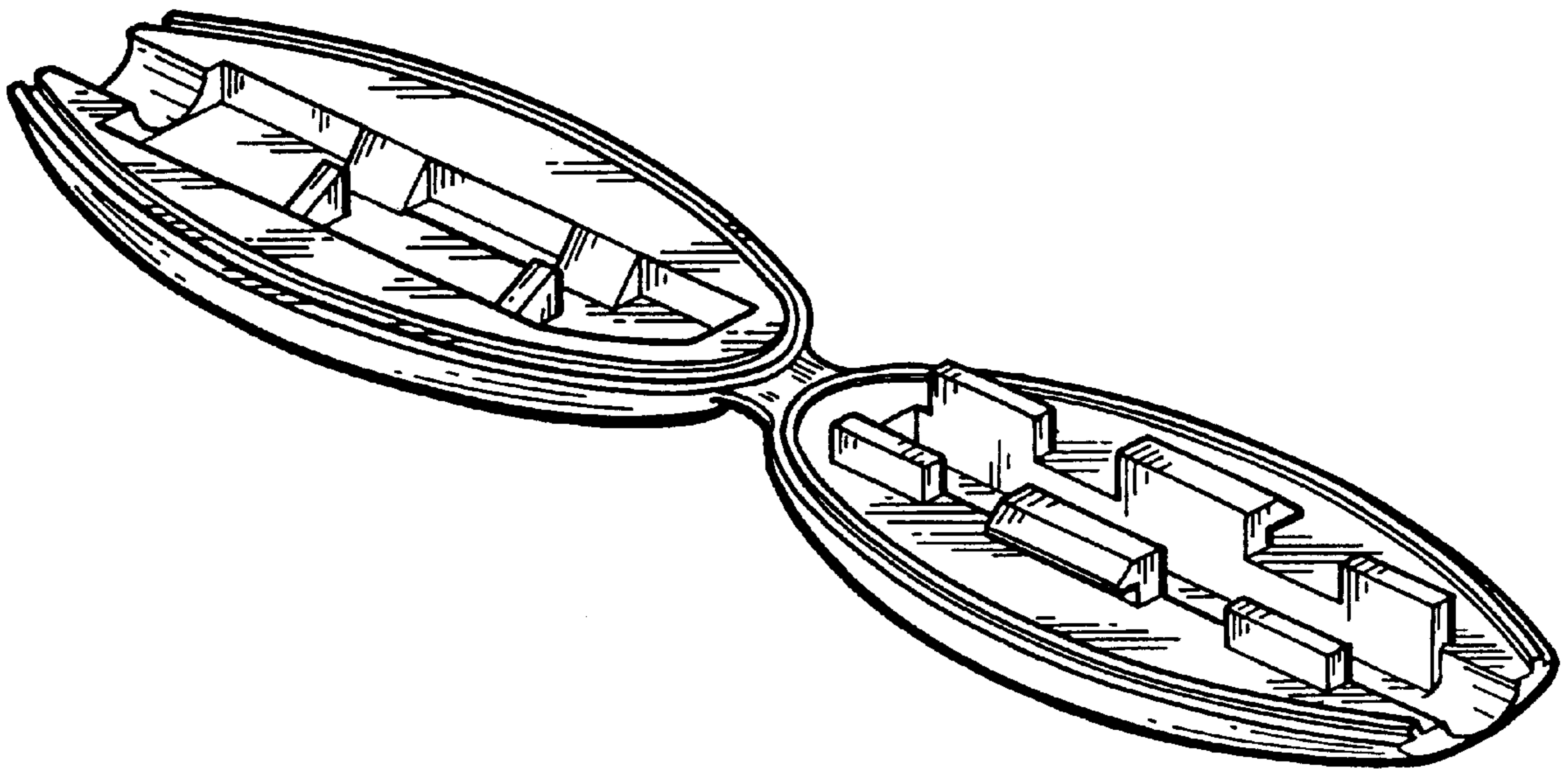
FIG. 6 is a right side view, the opposite side being a mirror image thereof;

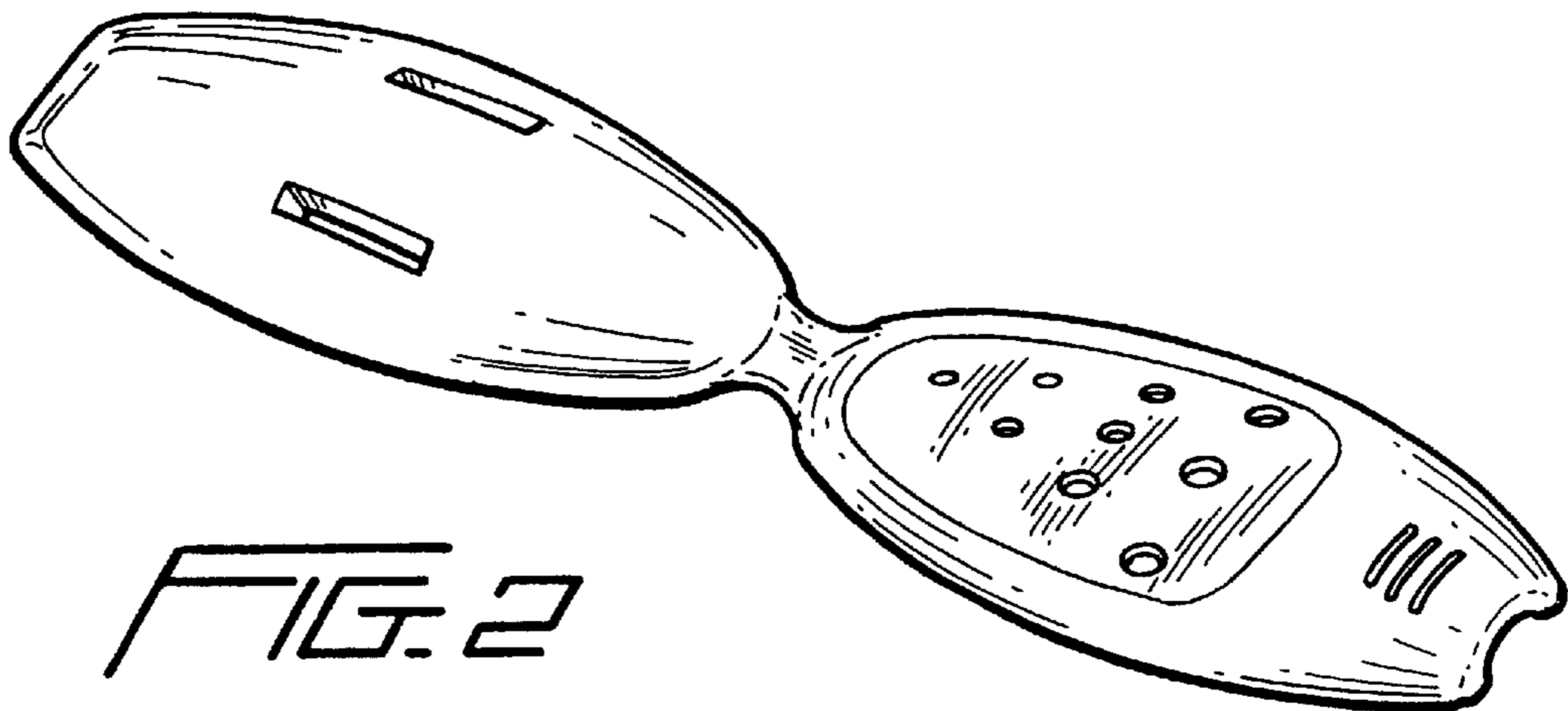
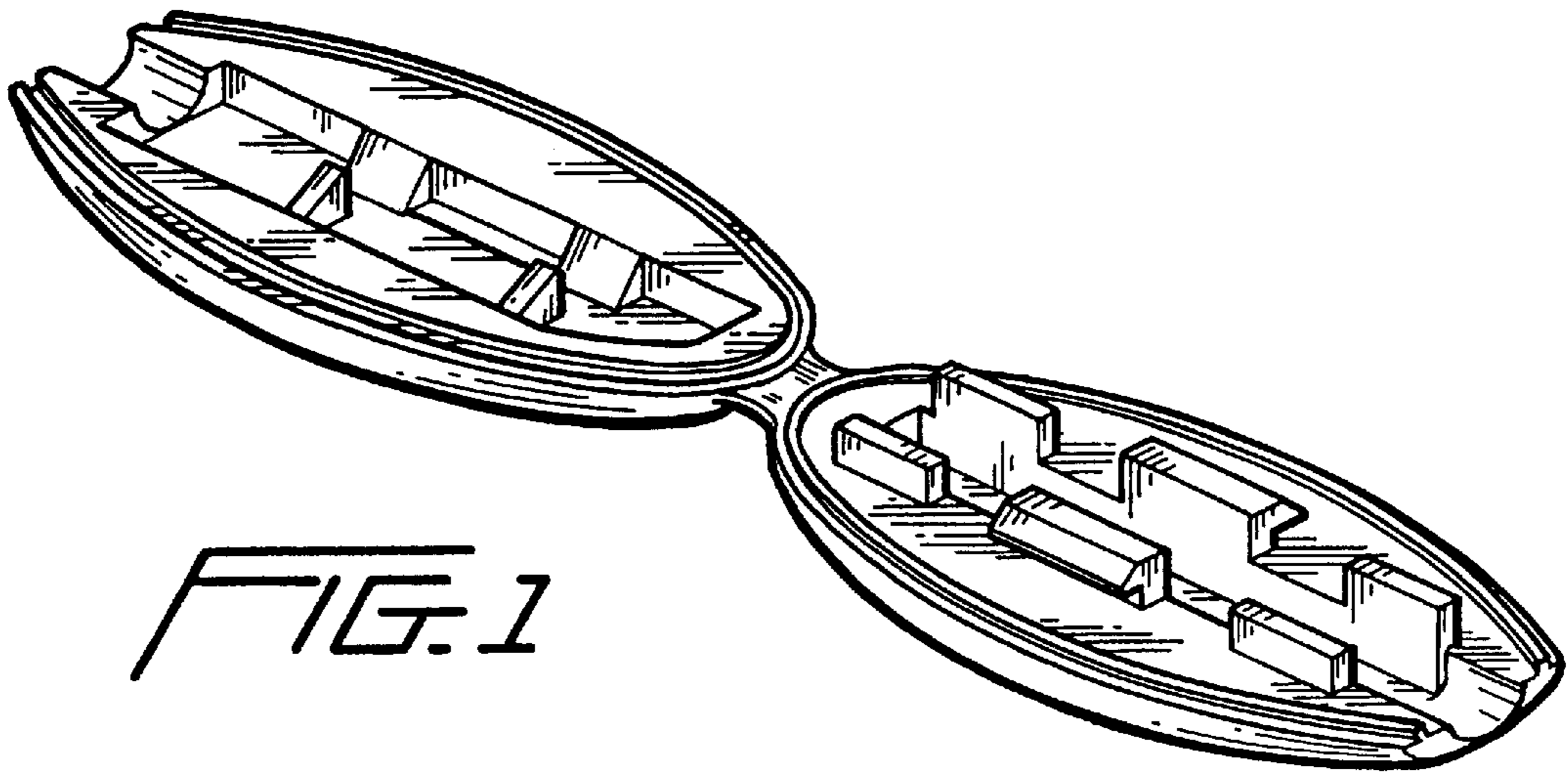
FIG. 7 is a bottom view thereof;

FIG. 8 is a front view thereof; and,

FIG. 9 is a rear view thereof.

1 Claim, 3 Drawing Sheets





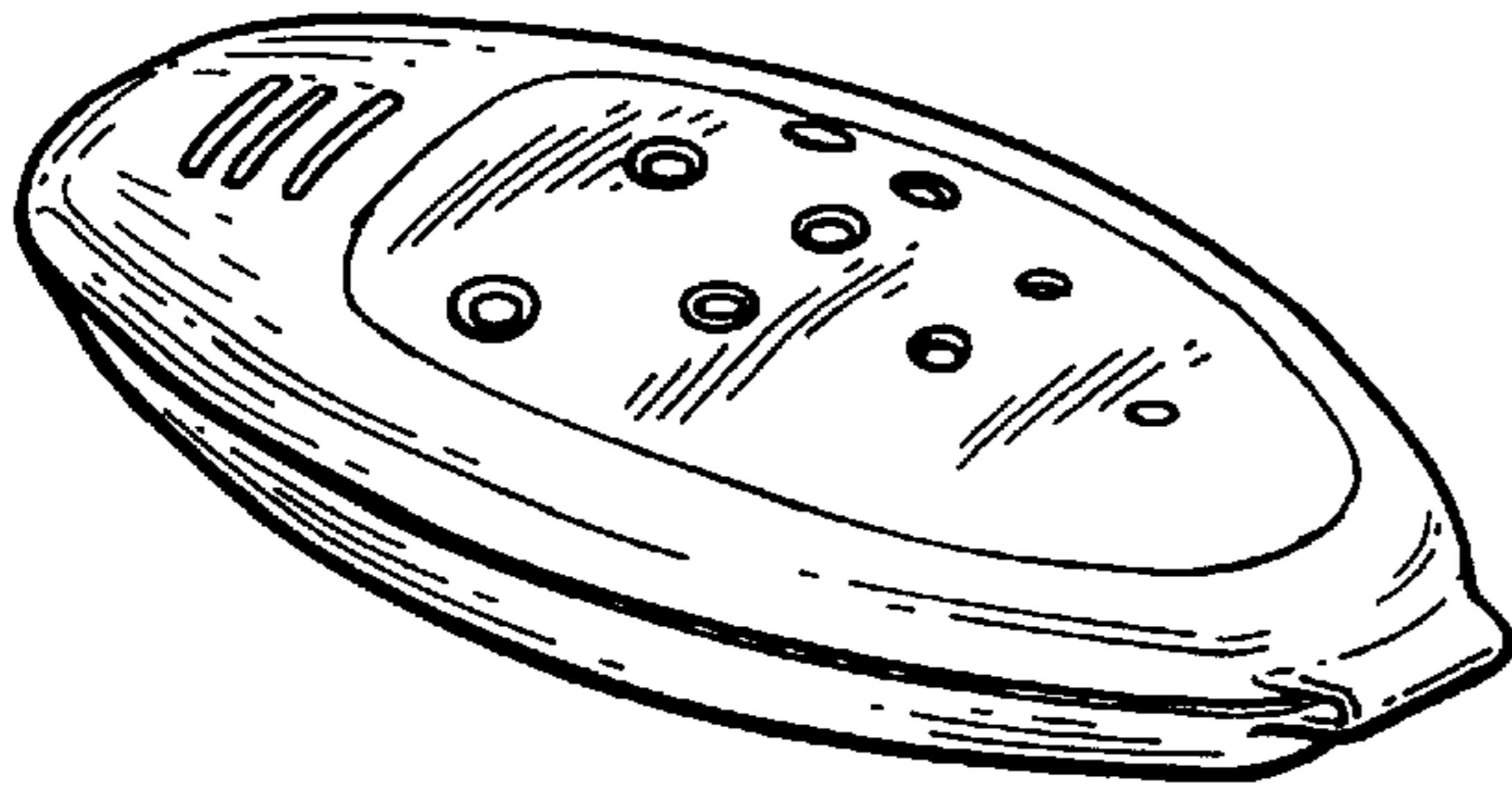


FIG. 3

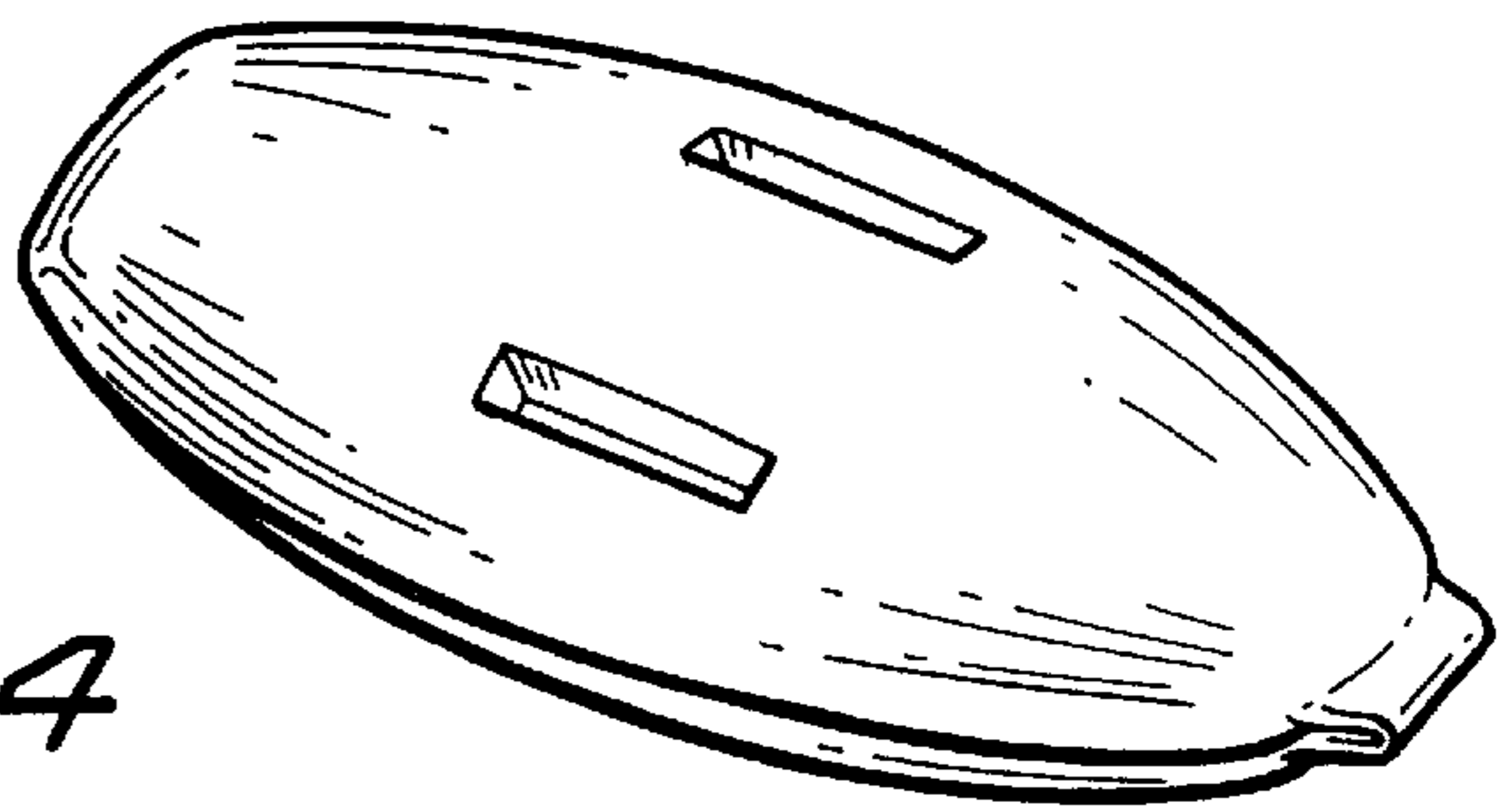


FIG. 4

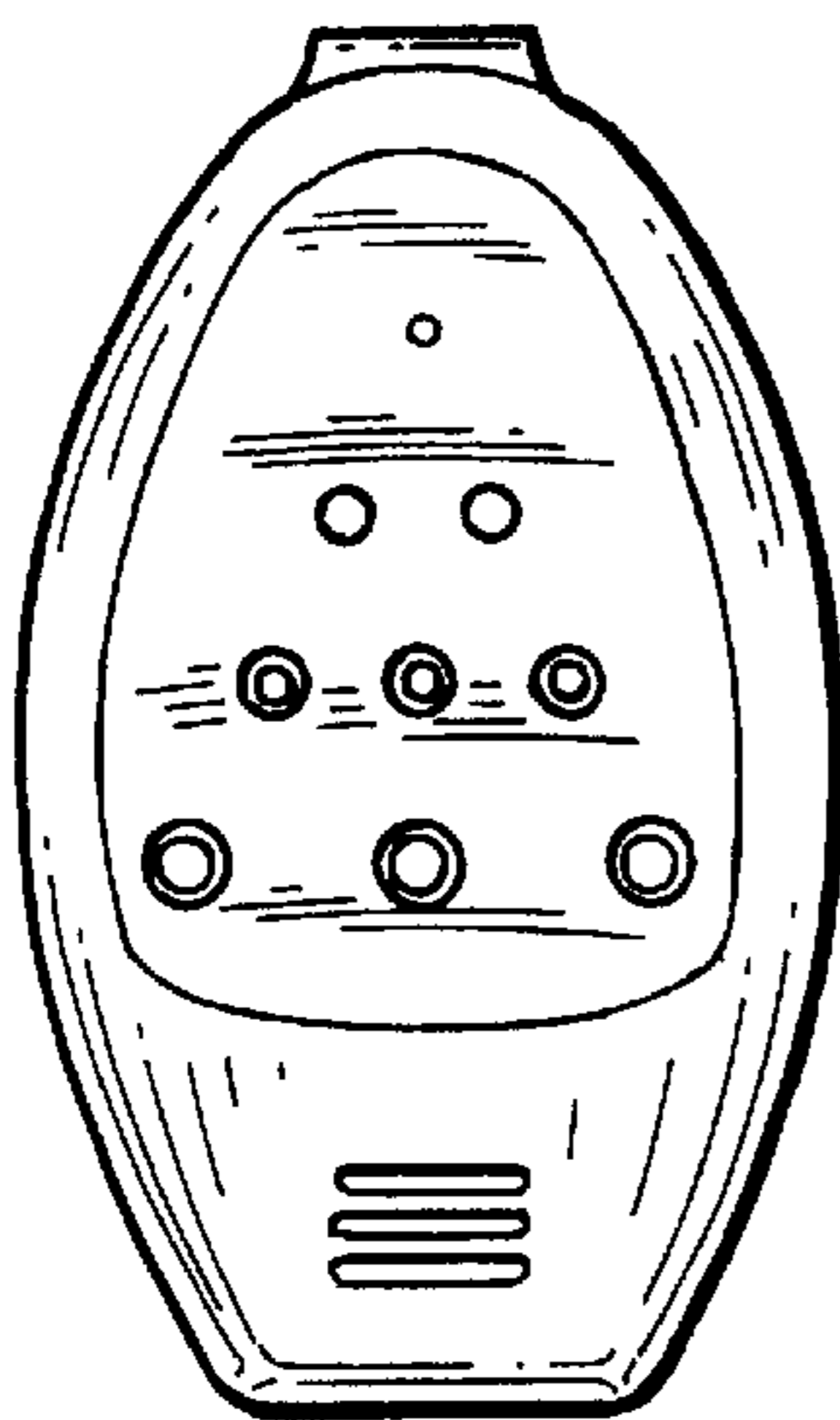


FIG. 5

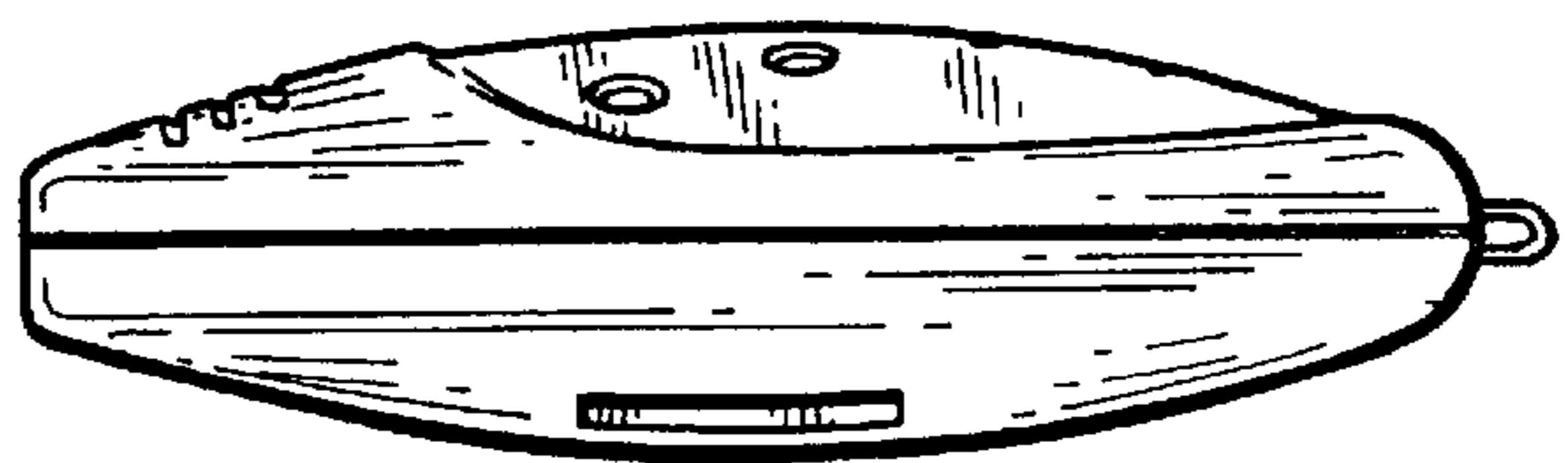


FIG. 6

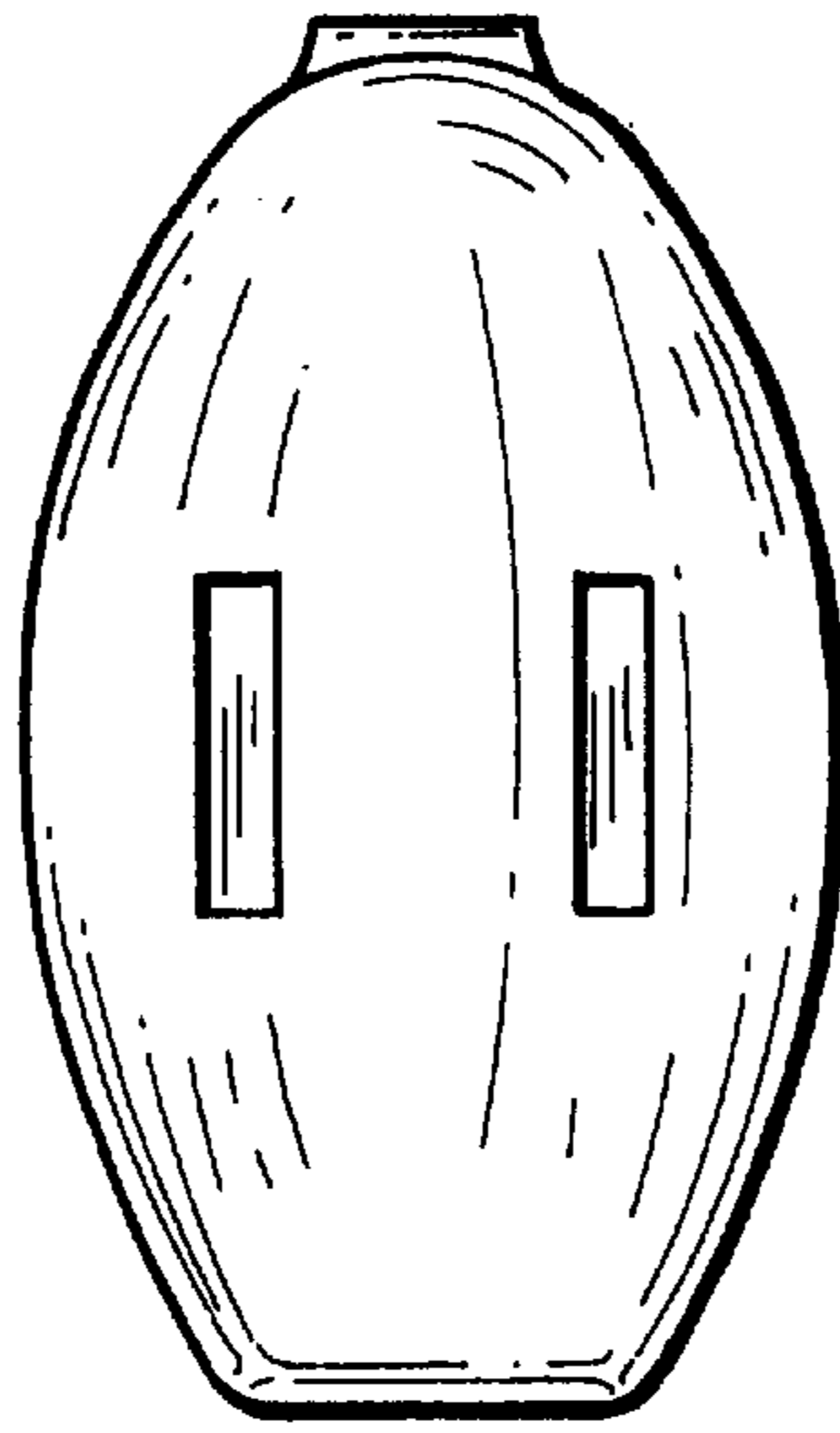


FIG. 7

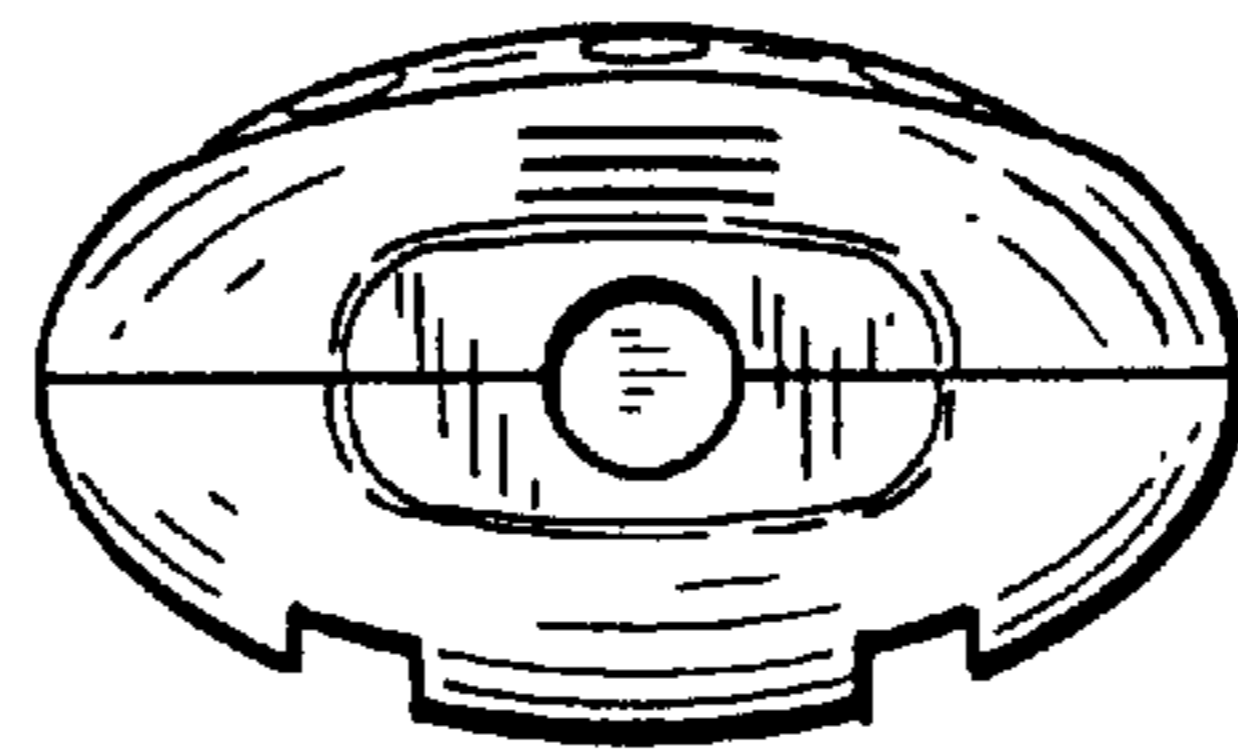


FIG. 8

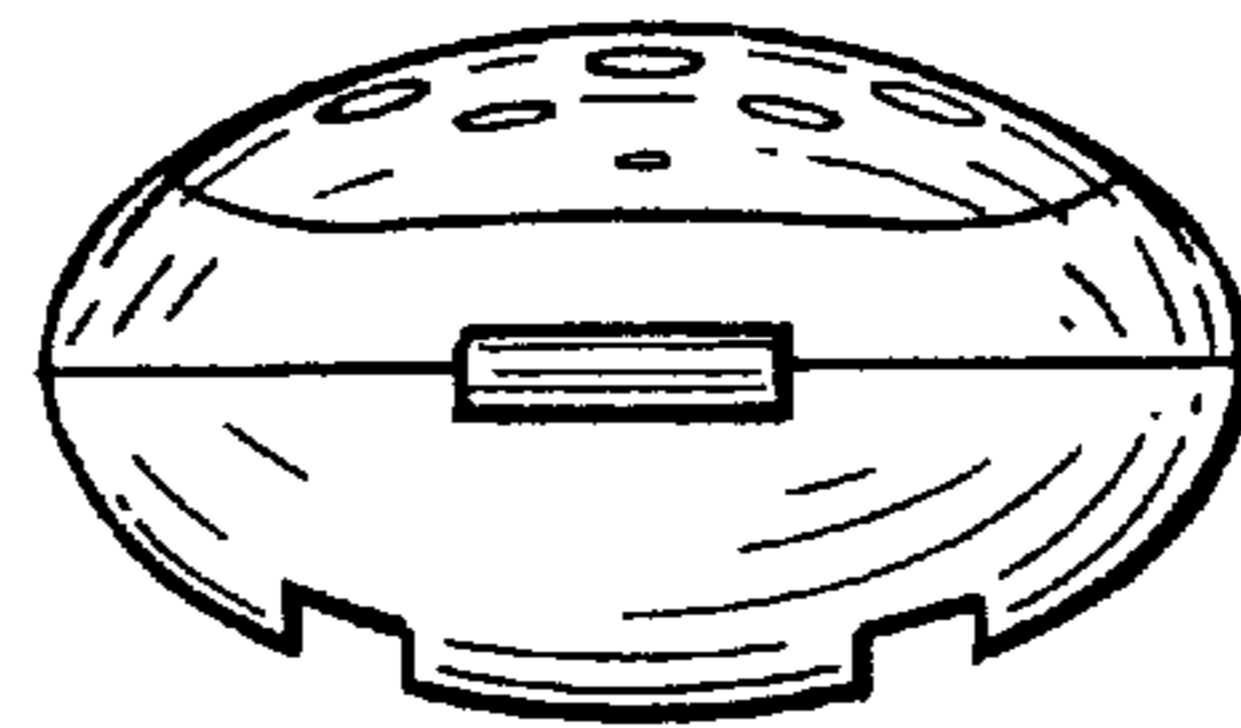


FIG. 9