



US00D452135B1

(12) **United States Design Patent**
Wyatt et al.

(10) **Patent No.: US D452,135 S**

(45) **Date of Patent: ** Dec. 18, 2001**

(54) **WINCH HORIZONTAL MOUNTING BRACKET**

(75) Inventors: **Bruce A. Wyatt**, Garland; **J. Scott Somers**, Dallas, both of TX (US)

(73) Assignee: **Concord Industries, Inc.**, Addison, TX (US)

(**) Term: **14 Years**

(21) Appl. No.: **29/138,320**

(22) Filed: **Mar. 9, 2001**

(51) **LOC (7) Cl. 08-05**

(52) **U.S. Cl. D8/354; D8/366; D8/380**

(58) **Field of Search** D8/354, 366, 380, D8/373, 349, 356; D12/223; 52/263, 712, 702, 483.1, 714, 370, 126.6; 248/68.1, 309.1, 237, 314, 558, 242-243, 300, 200, 544, 214, 911, 205.1, 213.2, 231.9, 220.31, 246; 403/271

2,633,940	4/1953	Olson	188/79.5
2,703,688	* 3/1955	Shuter	248/237
2,718,286	9/1955	Clark	188/134
2,992,706	7/1961	Huntress	188/74
3,026,980	3/1962	Hoff	192/105
3,338,361	8/1967	Hoff	192/105
3,414,095	12/1968	Kalns	192/8
3,695,399	10/1972	Laing	188/187
3,994,476	11/1976	van Gennep	254/186 R
4,151,981	5/1979	Gennep	254/186 R
4,413,713	11/1983	West	192/8 R
4,591,029	5/1986	Da Foe	188/134
4,889,321	12/1989	Burns	254/332
4,938,454	7/1990	Jones	254/356
5,052,523	10/1991	Ericson	187/89
5,364,074	11/1994	Gourley	254/375
5,394,960	3/1995	Yen	187/305
5,402,975	* 4/1995	Sullivan et al.	248/246
5,904,009	* 5/1999	Huang	52/126.6

* cited by examiner

Primary Examiner—Pamela Burgess

(74) *Attorney, Agent, or Firm*—Gardere Wynne Sewell LLP; Sanford E. Warren, Jr.; Kenneth T. Emanuelson

(56) **References Cited**

U.S. PATENT DOCUMENTS

Re. 22,237	12/1942	Coffing	254/171
57,352	8/1866	Mason	.
D. 298,355	* 11/1988	Young	D24/128
324,690	8/1885	Henkel	.
875,336	12/1907	Evans	.
1,509,503	9/1924	Doberstein	.
1,509,504	9/1924	Doberstein	.
1,901,279	3/1933	Baldwin	.
1,993,744	3/1935	Morison	254/169
2,181,359	11/1939	Barrett	254/173
2,240,932	5/1941	Kinser	192/8
2,324,000	7/1943	Johnston	254/171
2,511,697	6/1950	Clift	187/90
2,525,402	10/1950	Dehn	192/8

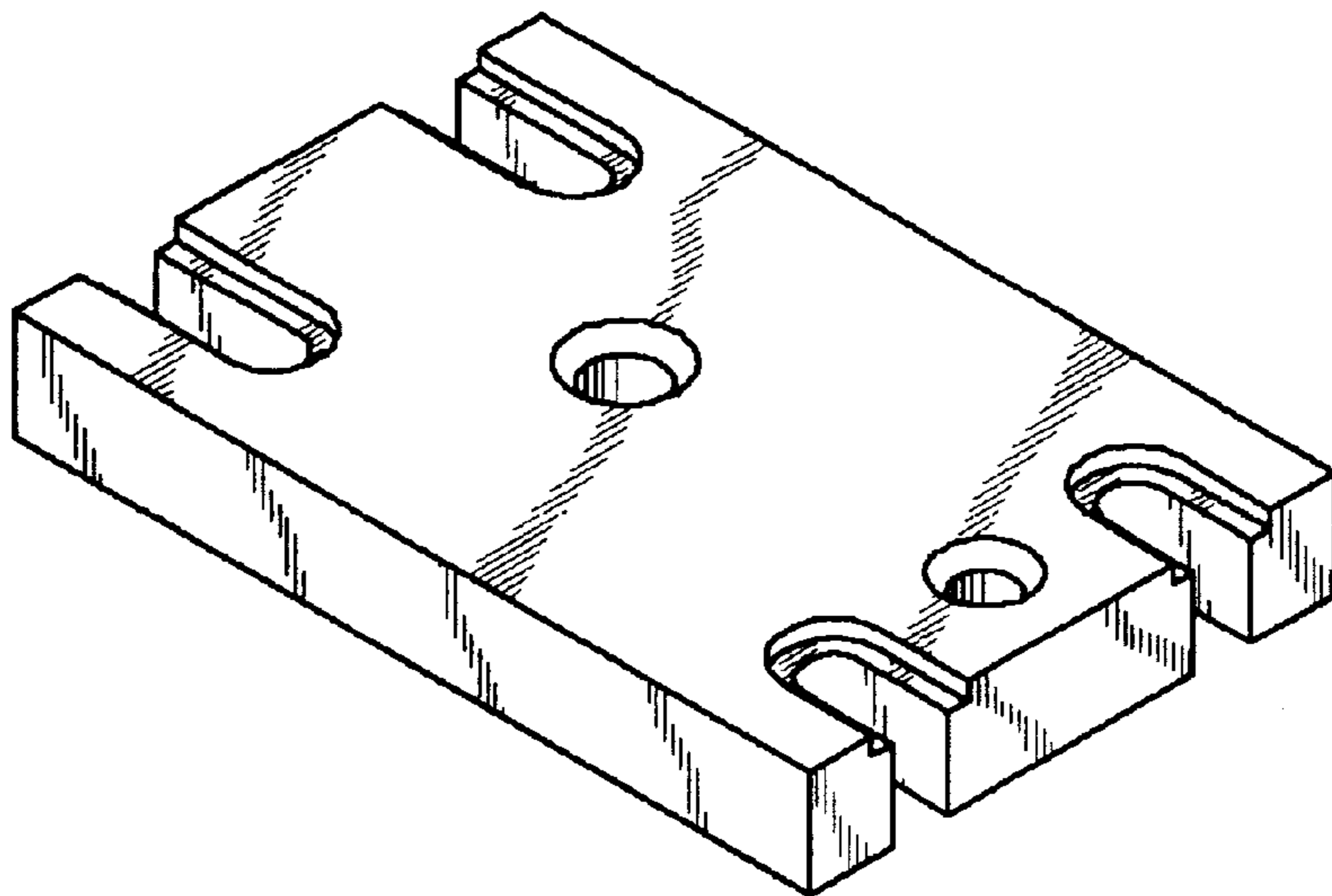
(57) **CLAIM**

The ornamental design for a winch horizontal mounting bracket, as shown and described.

DESCRIPTION

FIG. 1 is a top front perspective view of a winch horizontal mounting bracket showing our new design; FIG. 2 is a left side end view thereof; FIG. 3 is a top view thereof; FIG. 4 is a right side end view thereof; FIG. 5 is a front side view thereof; and, FIG. 6 is a bottom view thereof.

1 Claim, 1 Drawing Sheet



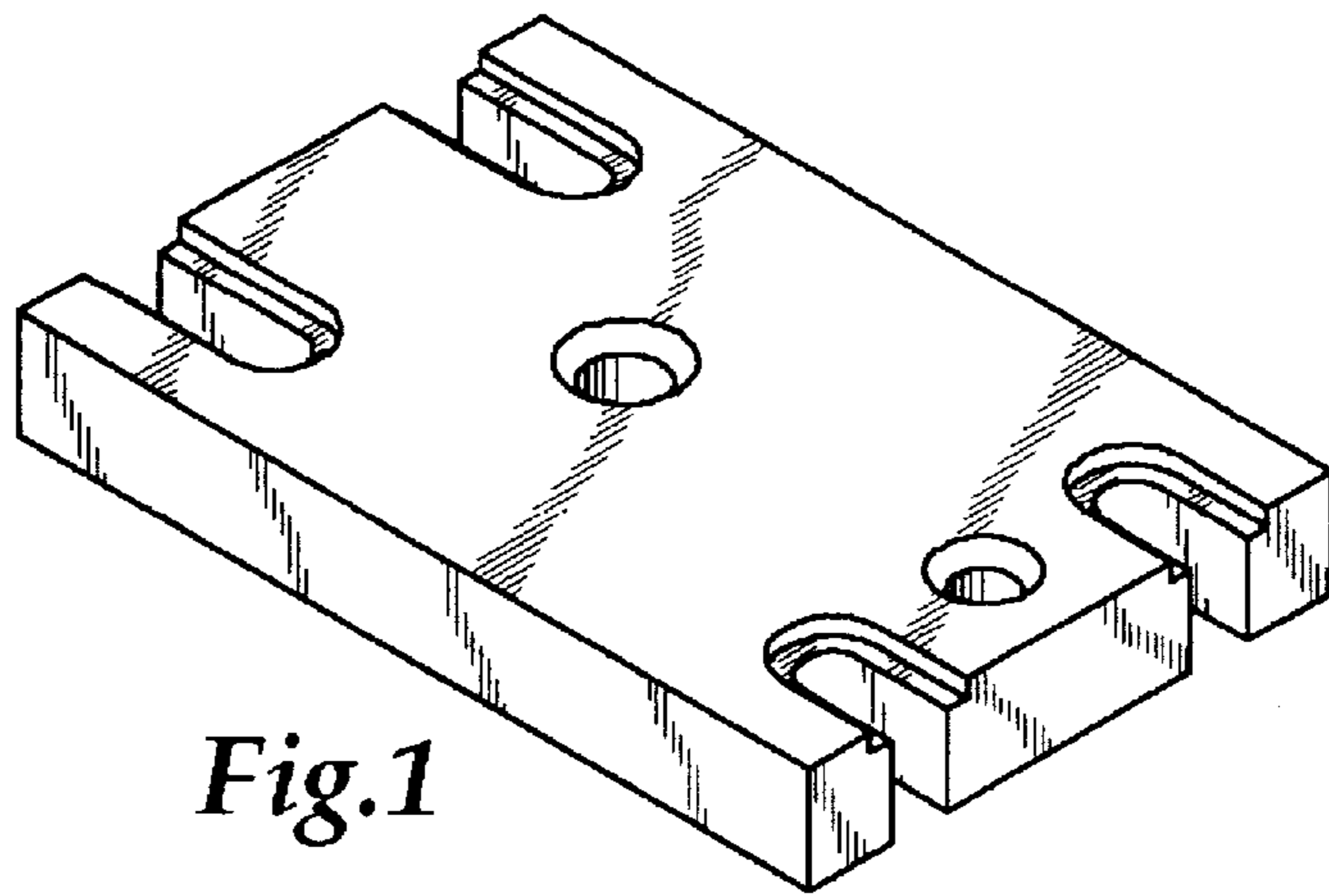


Fig.1

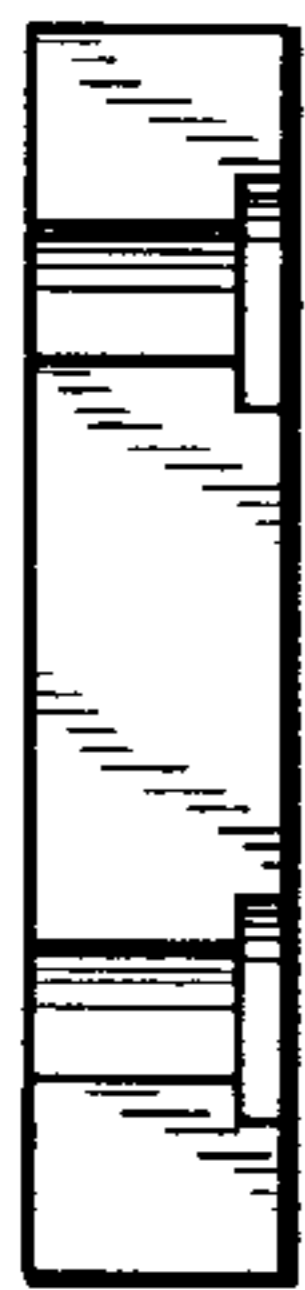


Fig.2

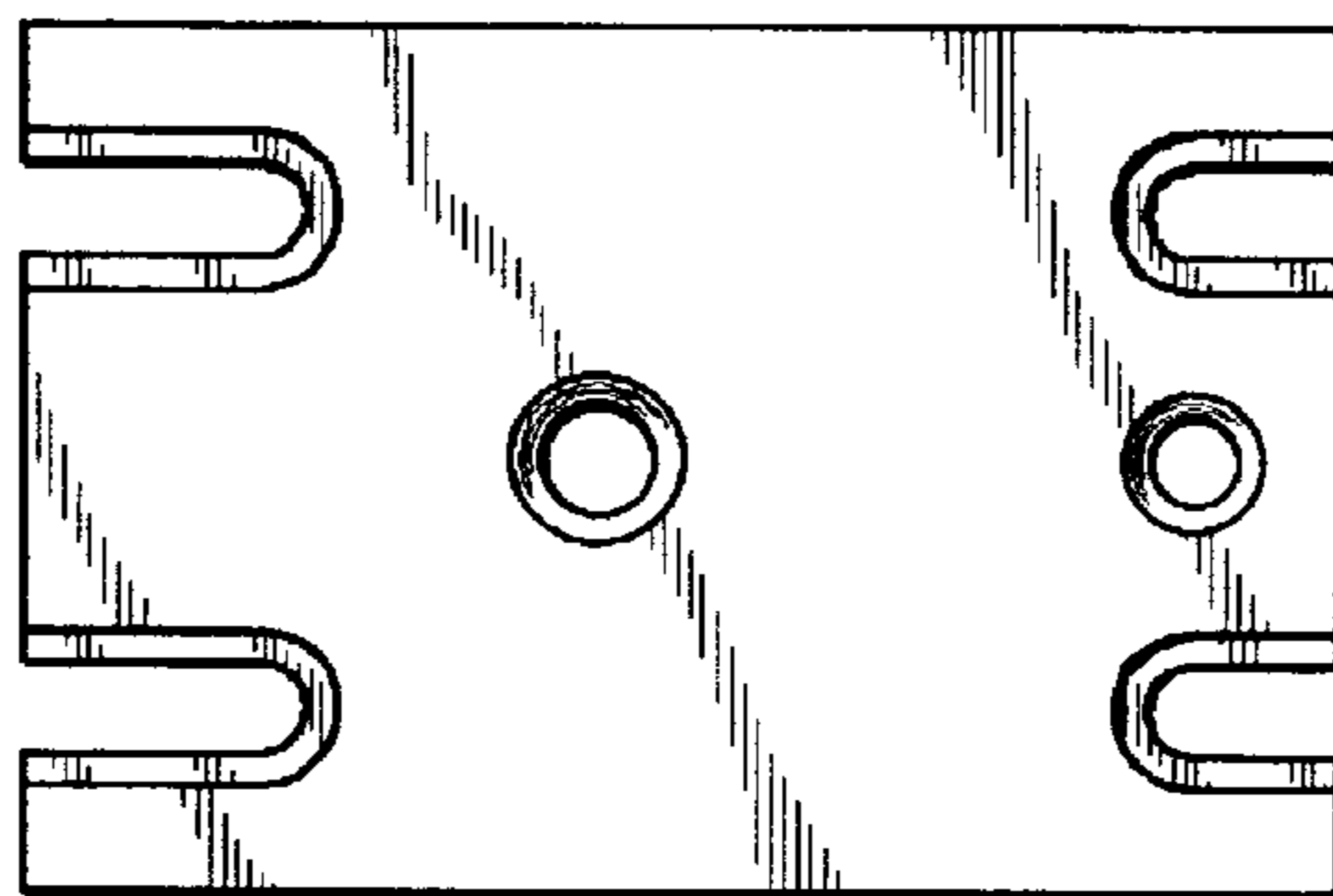


Fig.3

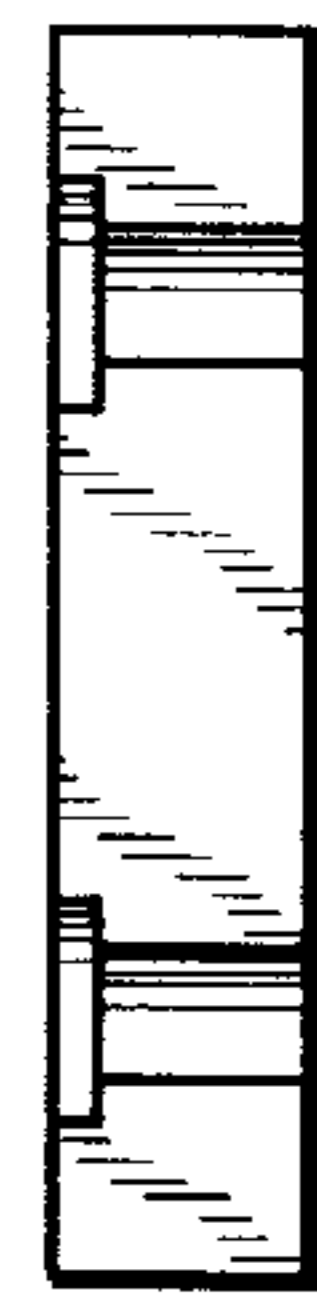


Fig.4



Fig.5

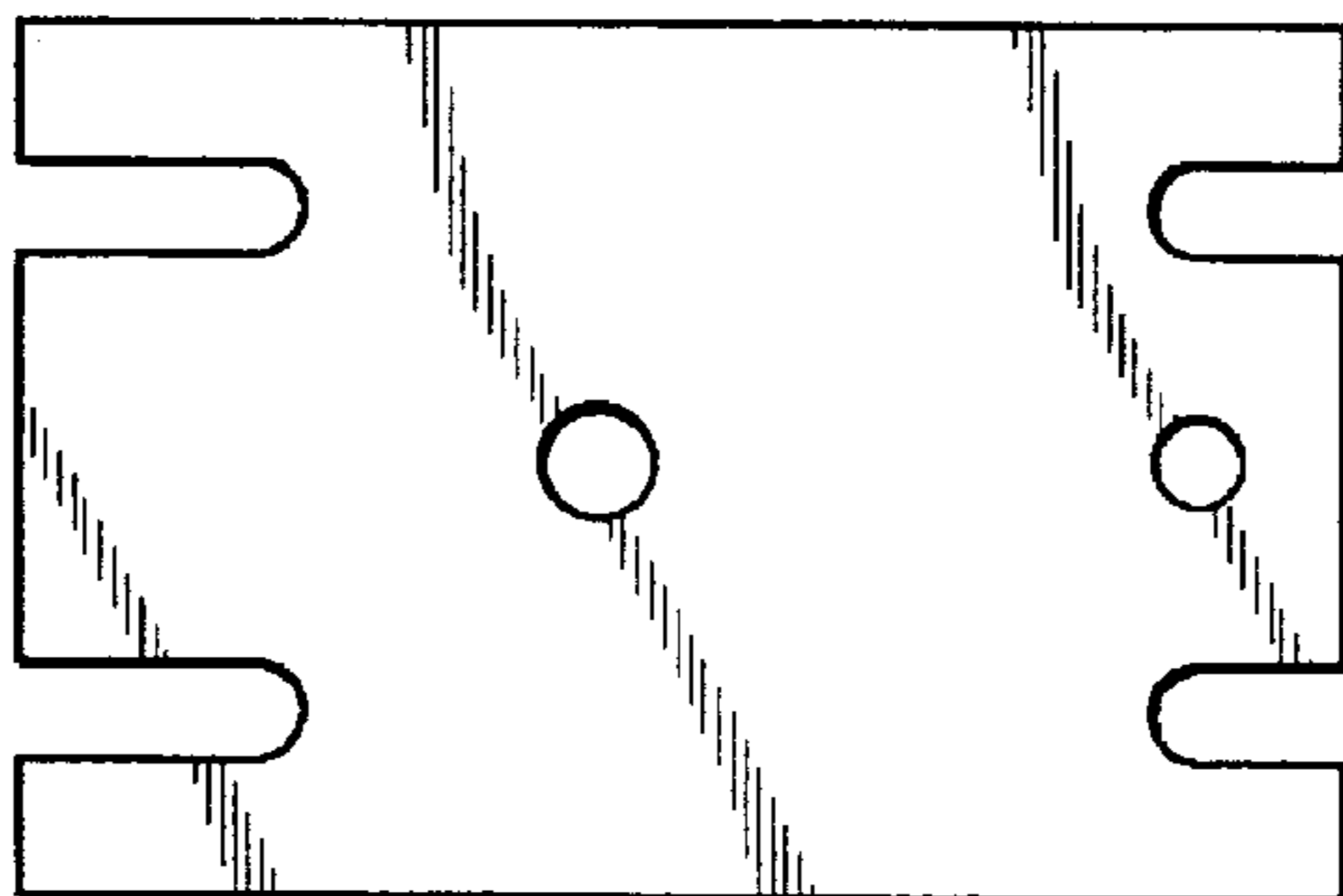


Fig.6