



US00D452134B1

(12) **United States Design Patent**
Johns

(10) **Patent No.:** **US D452,134 S**

(45) **Date of Patent:** **** Dec. 18, 2001**

(54) **DOOR LOCK**

6,095,574 * 8/2000 Dean 70/2 X

(76) Inventor: **Blair E. Johns**, 3918 W. Coronado,
Phoenix, AZ (US) 85009

* cited by examiner

(**) Term: **14 Years**

Primary Examiner—Susan J. Lucas

Assistant Examiner—Jennifer Rivard

(74) *Attorney, Agent, or Firm*—Leydig, Voit & Mayer, Ltd

(21) Appl. No.: **29/122,323**

(57) **CLAIM**

(22) Filed: **Apr. 25, 2000**

The ornamental design for a door lock, as shown and described.

(51) **LOC (7) Cl.** **08-07**

(52) **U.S. Cl.** **D8/345**

(58) **Field of Search** D8/330, 331, 336–338,
D8/343, 344, 345; 16/223; 70/2, 14, 91,
101, 102, 103; 292/210, 281, 297, 298,
340, 341.17, 346

DESCRIPTION

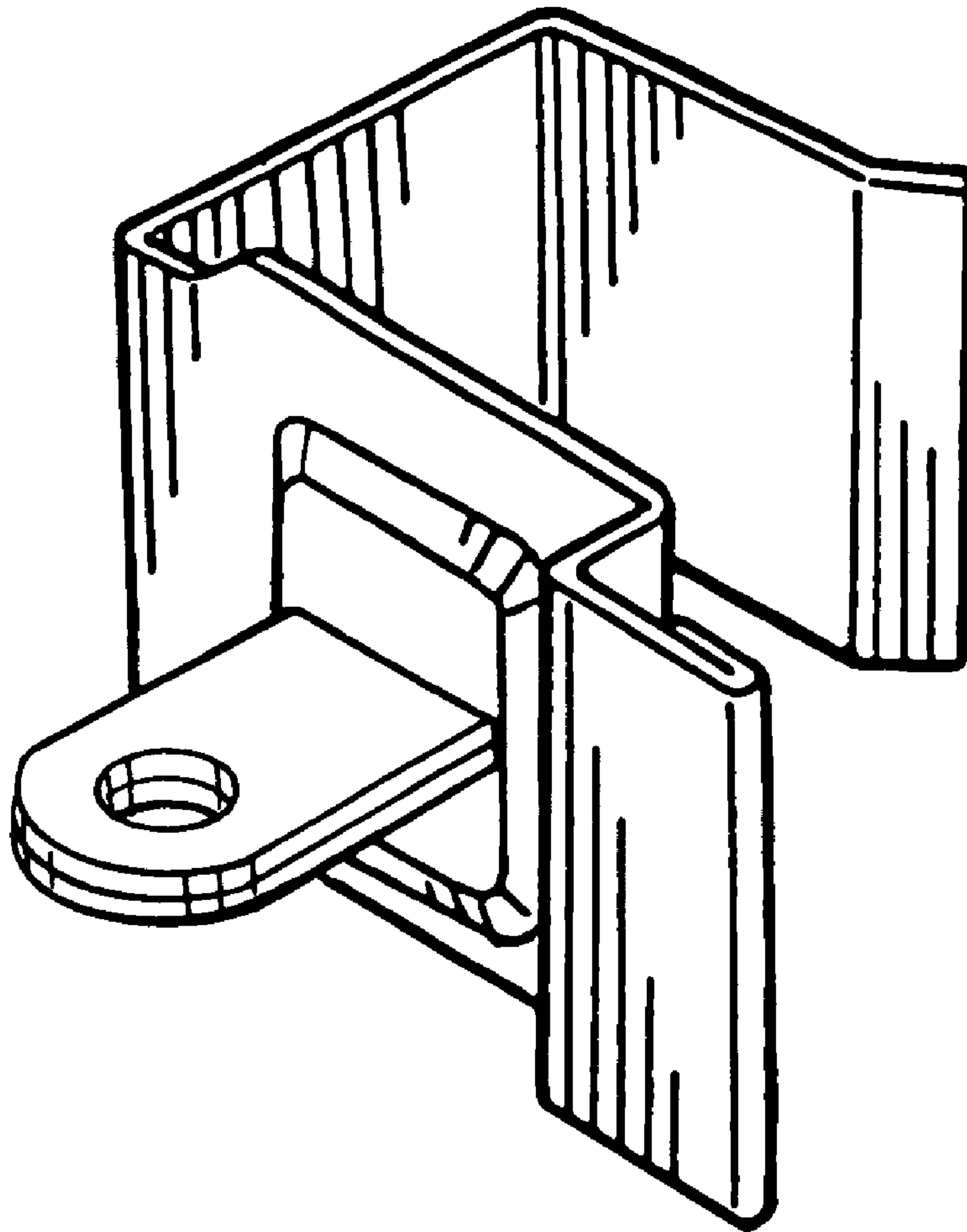
FIG. 1 is a top, front and right side perspective view of a door lock showing my new design;
FIG. 2 is a front elevational view thereof;
FIG. 3 is a right side elevational view thereof;
FIG. 4 is a top plan view thereof, the bottom being a mirror image of that shown;
FIG. 5 is a rear elevational view thereof; and,
FIG. 6 is a left side elevational view thereof.

(56) **References Cited**

U.S. PATENT DOCUMENTS

- 2,698,196 * 12/1954 Mangué 292/281 X
- 4,331,356 * 5/1982 Noel 292/281
- 5,409,276 * 4/1995 Engasser 292/281

1 Claim, 2 Drawing Sheets



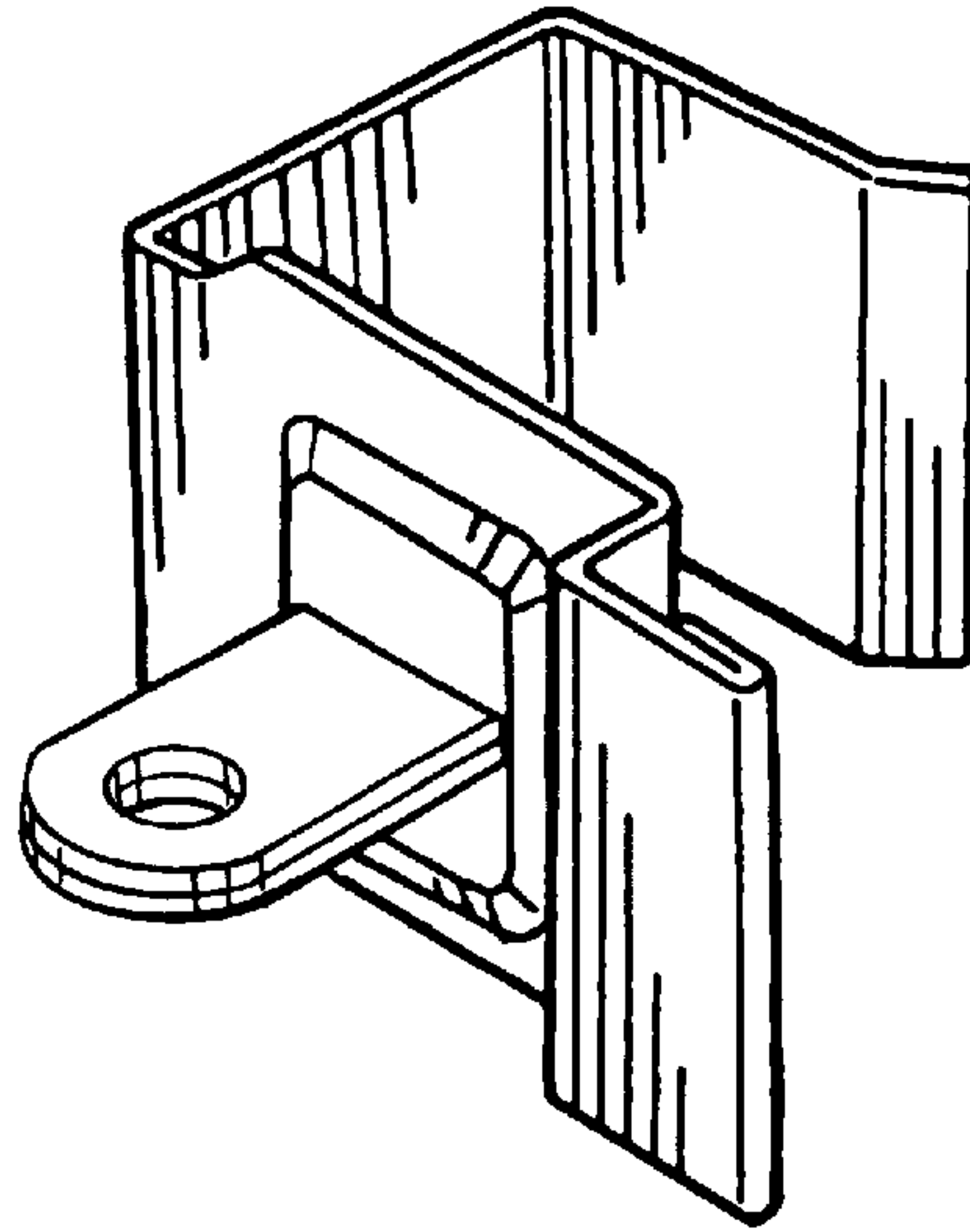


FIG. 1

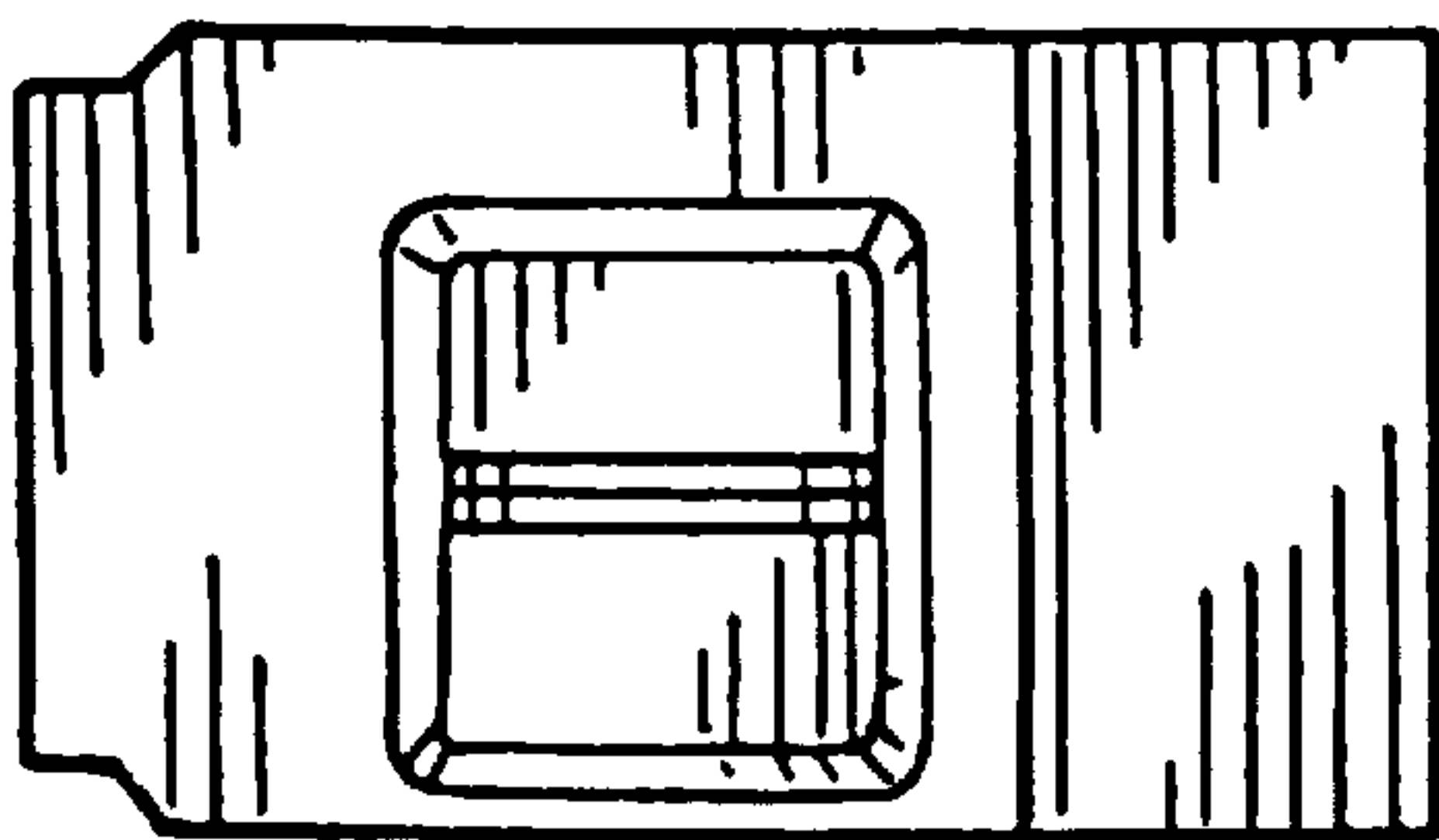


FIG. 2

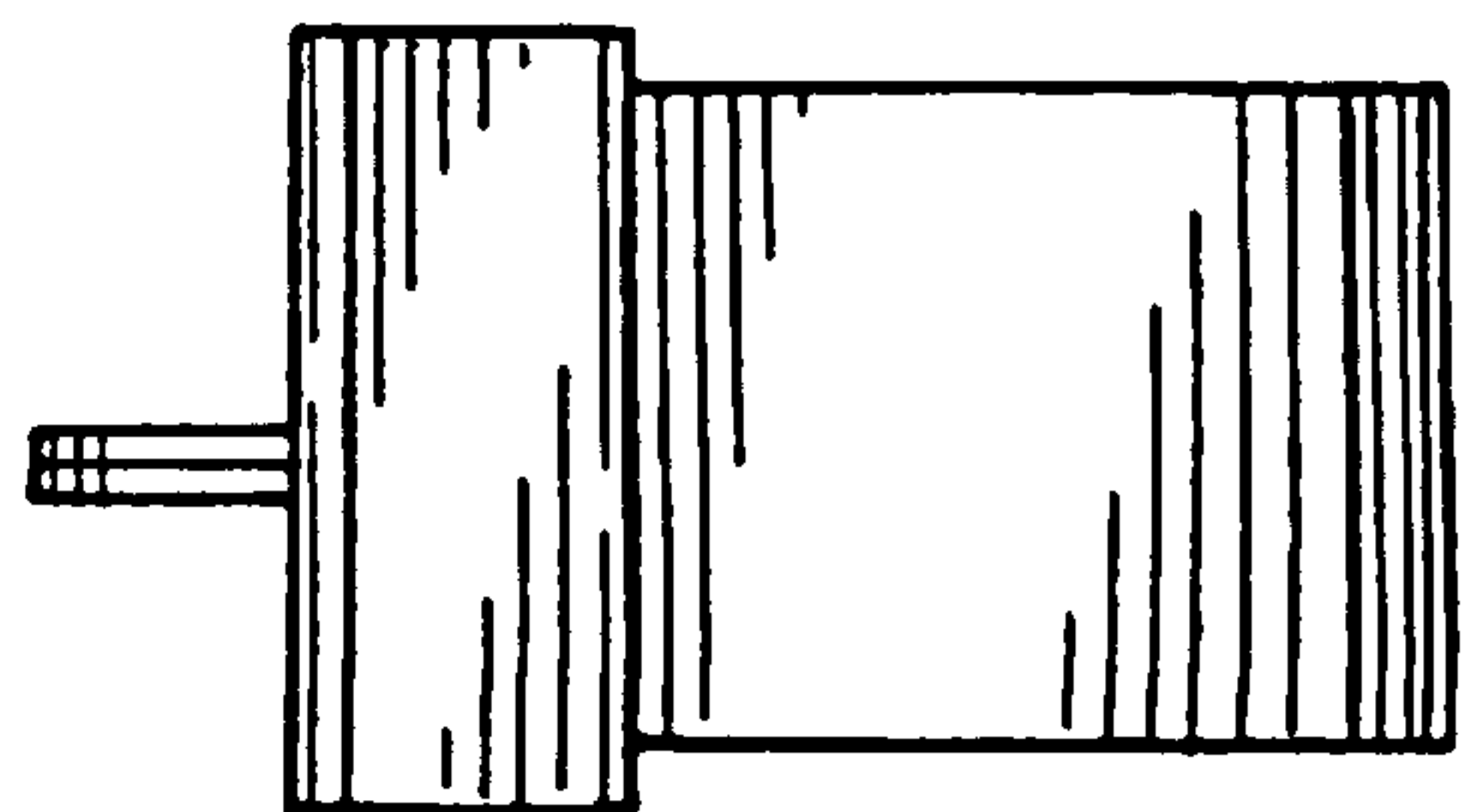


FIG. 3

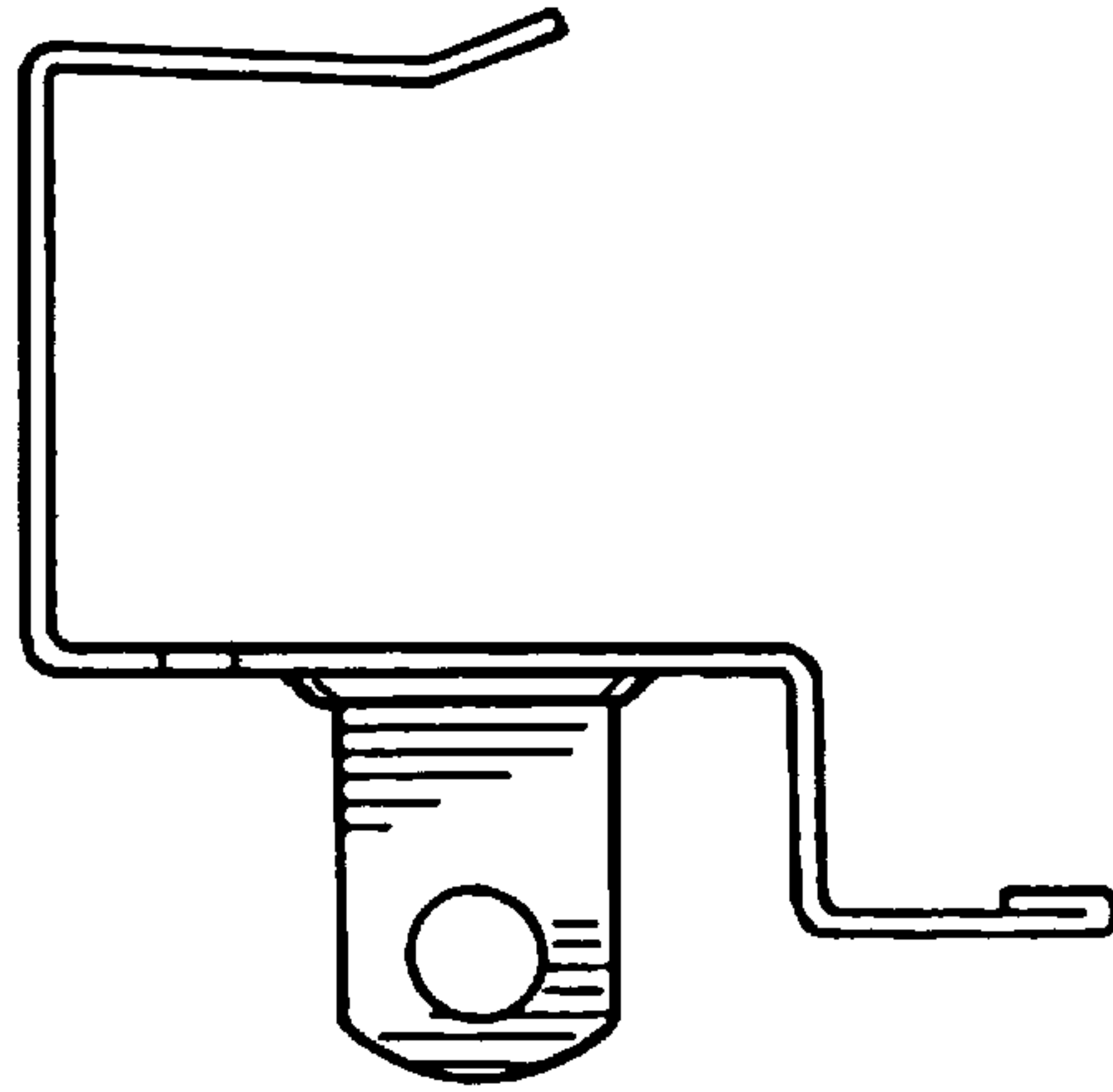


FIG. 4

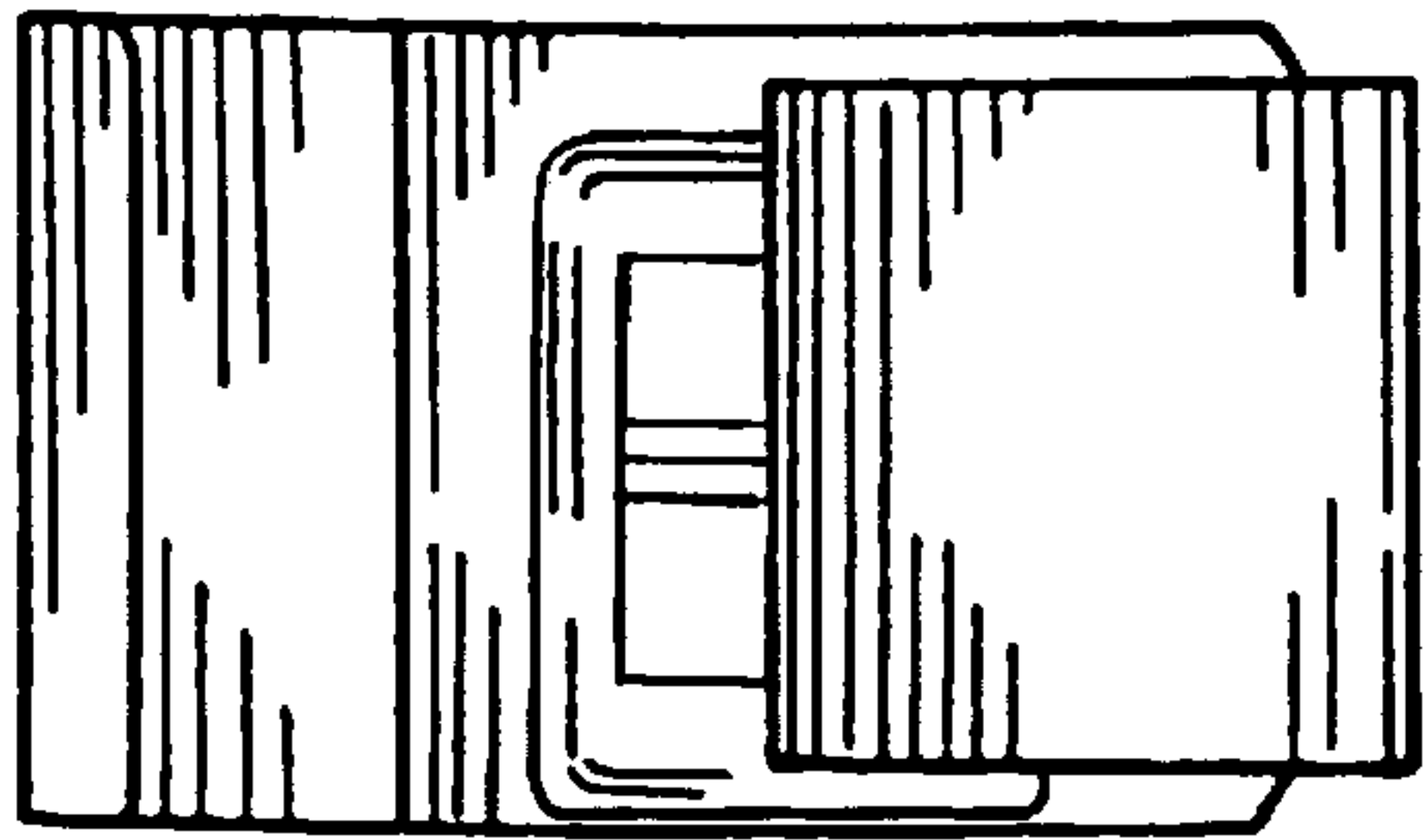


FIG. 5

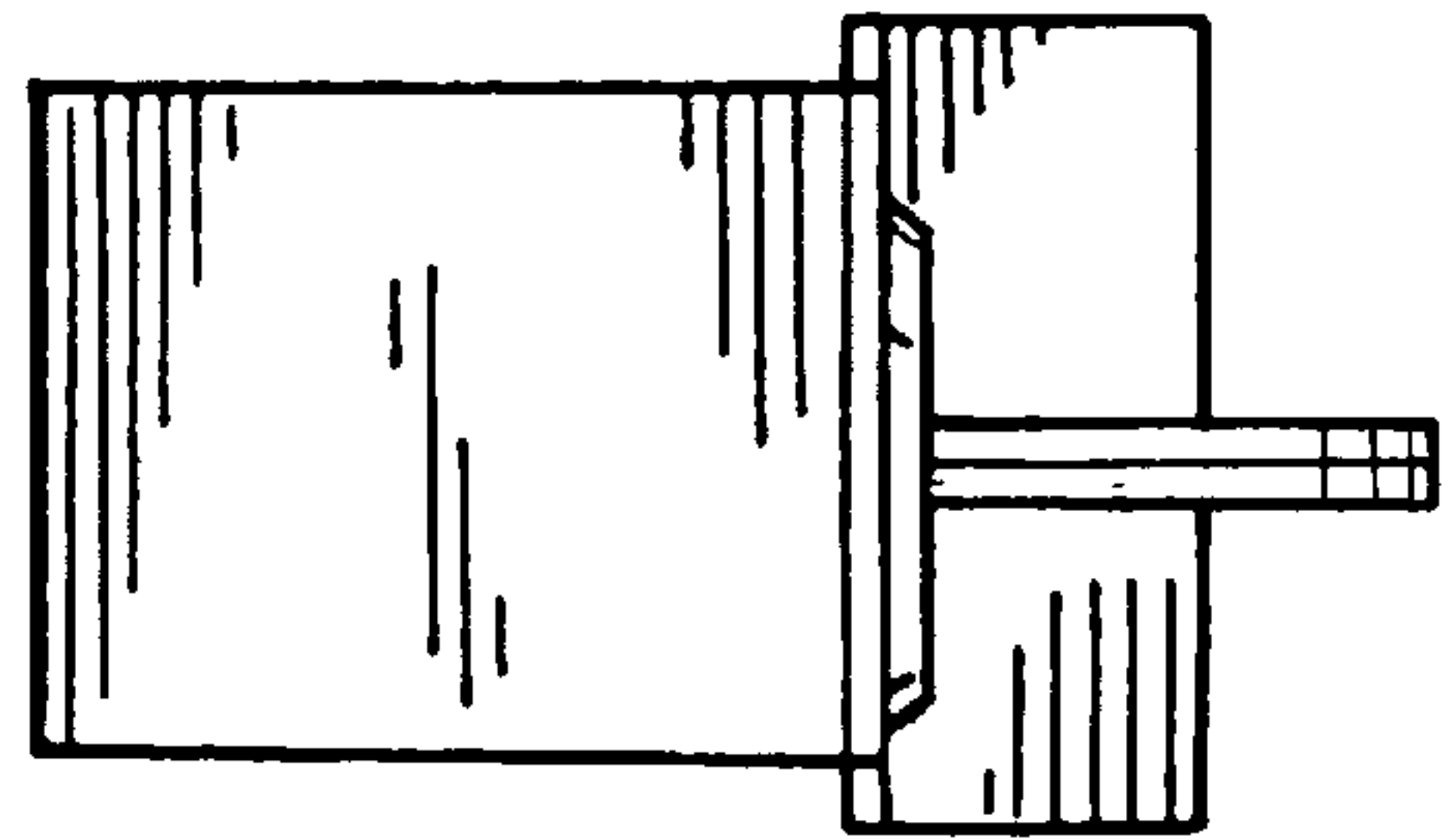


FIG. 6