



US00D452132B1

(12) **United States Design Patent**
Loggen

(10) **Patent No.:** **US D452,132 S**

(45) **Date of Patent:** **** Dec. 18, 2001**

(54) **HINGE**

(75) **Inventor:** **Jörg Loggen**, Windeck (DE)

(73) **Assignee:** **KL-Beschläge Karl Loggen GmbH**,
Eitorf (DE)

(**) **Term:** **14 Years**

(21) **Appl. No.:** **29/139,652**

(22) **Filed:** **Apr. 4, 2001**

(51) **LOC (7) Cl.** **08-06**

(52) **U.S. Cl.** **D8/327**

(58) **Field of Search** D8/323, 327, 328,
D8/329; 16/386, 387, 382, 281

(56) **References Cited**

U.S. PATENT DOCUMENTS

- D. 204,129 * 3/1966 Kirby .
- 3,197,805 * 8/1965 McNemar .
- 5,749,125 * 5/1998 Davis et al. .
- 5,774,935 * 7/1998 Hawley .

OTHER PUBLICATIONS

Gabastri General Catalog 1995; p. 37; circular bolt.*
Loggen, U.S. Design application No. 29/139,653, filed Apr. 4, 2001.

* cited by examiner

Primary Examiner—B. J. Bullock

(74) *Attorney, Agent, or Firm*—Fay, Sharpe, Fagan,
Minnich & McKee, LLP

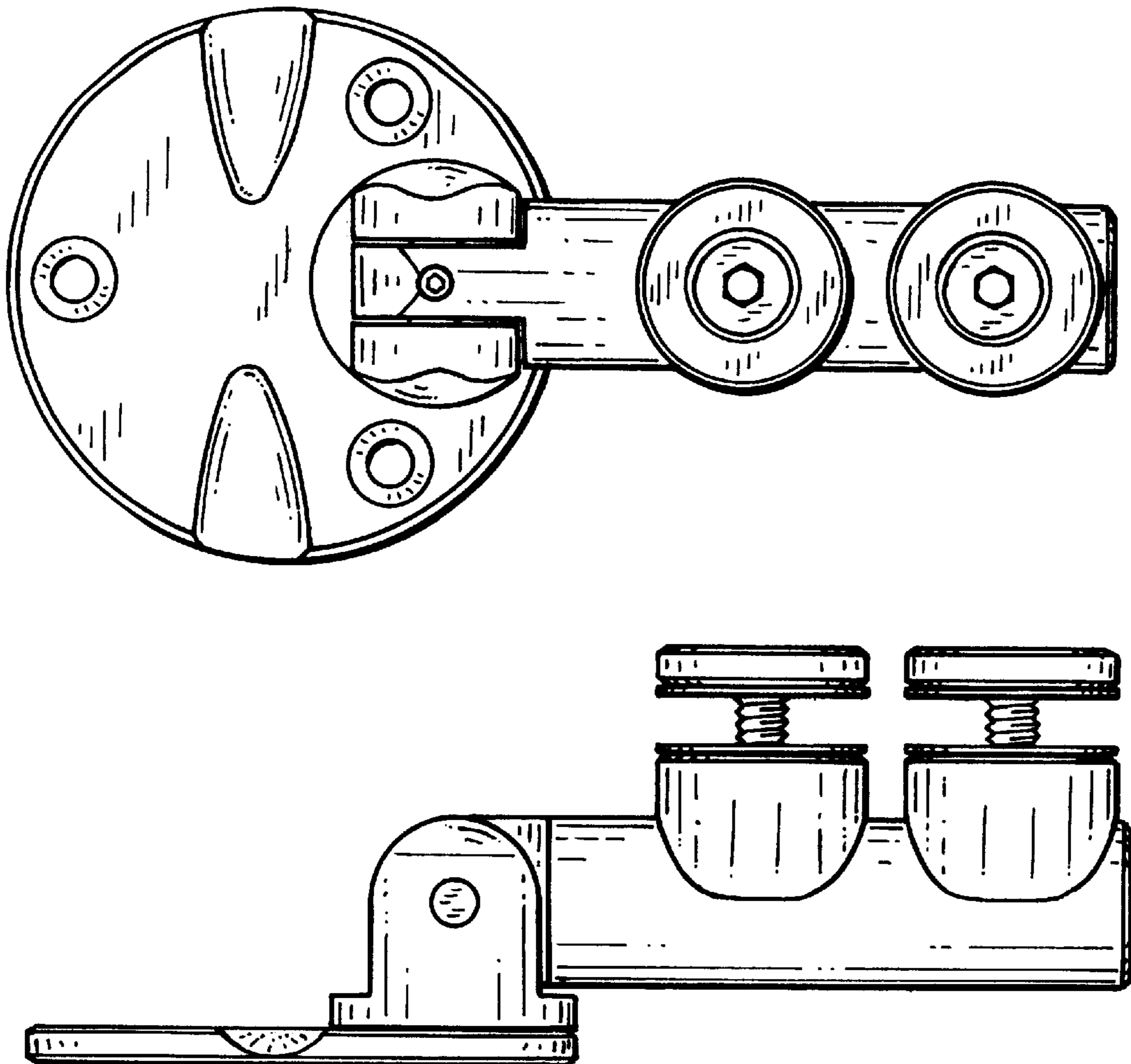
(57) **CLAIM**

The ornamental design for a hinge, as shown and described.

DESCRIPTION

FIG. 1 is a front elevational view of a hinge in accordance with the present invention in its extended position;
FIG. 2 is a bottom plan view thereof, the top view being the mirror image thereof;
FIG. 3 is a rear elevational view thereof;
FIG. 4 is a left side view thereof; and,
FIG. 5 is a right side view thereof.

1 Claim, 2 Drawing Sheets



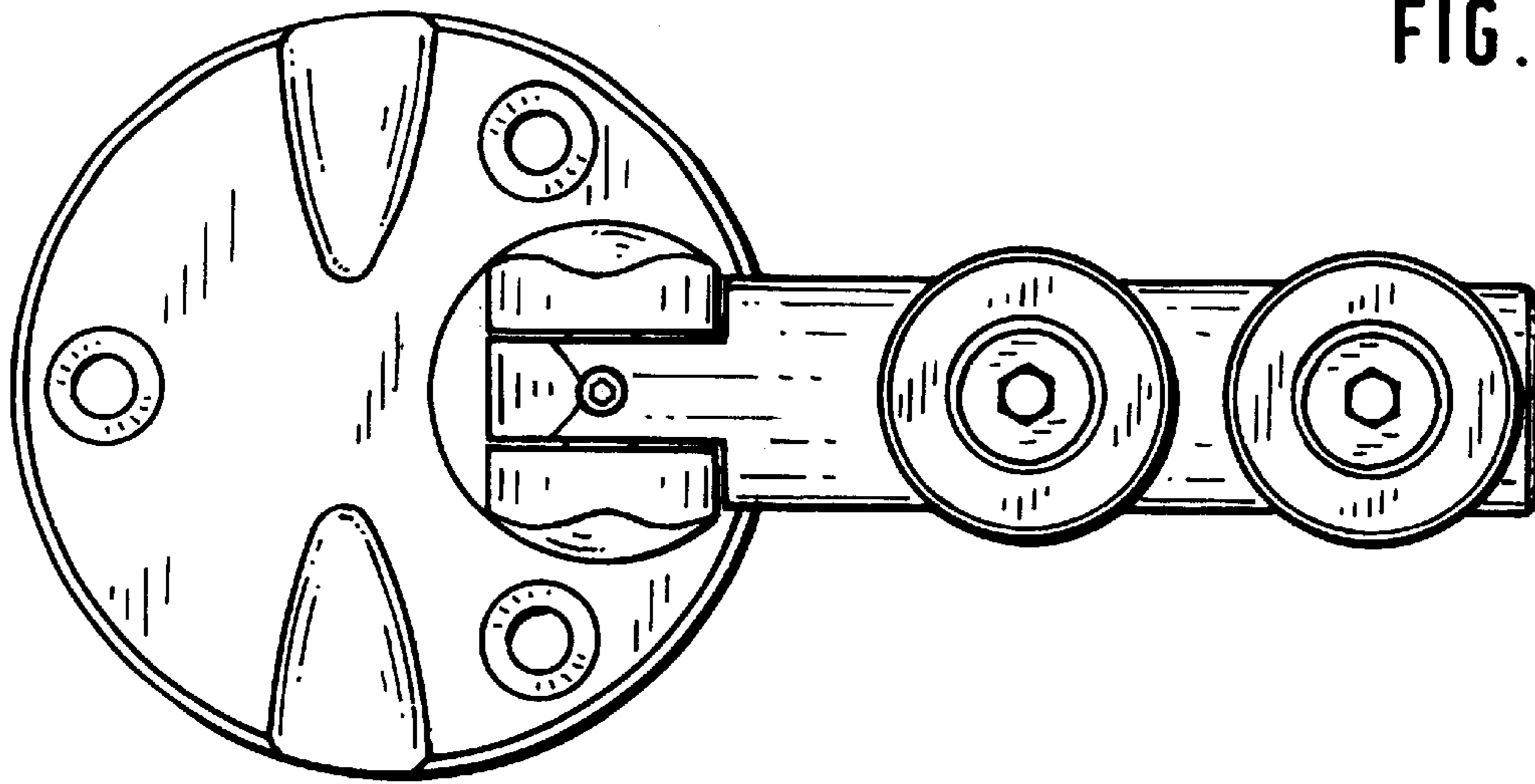


FIG. 1

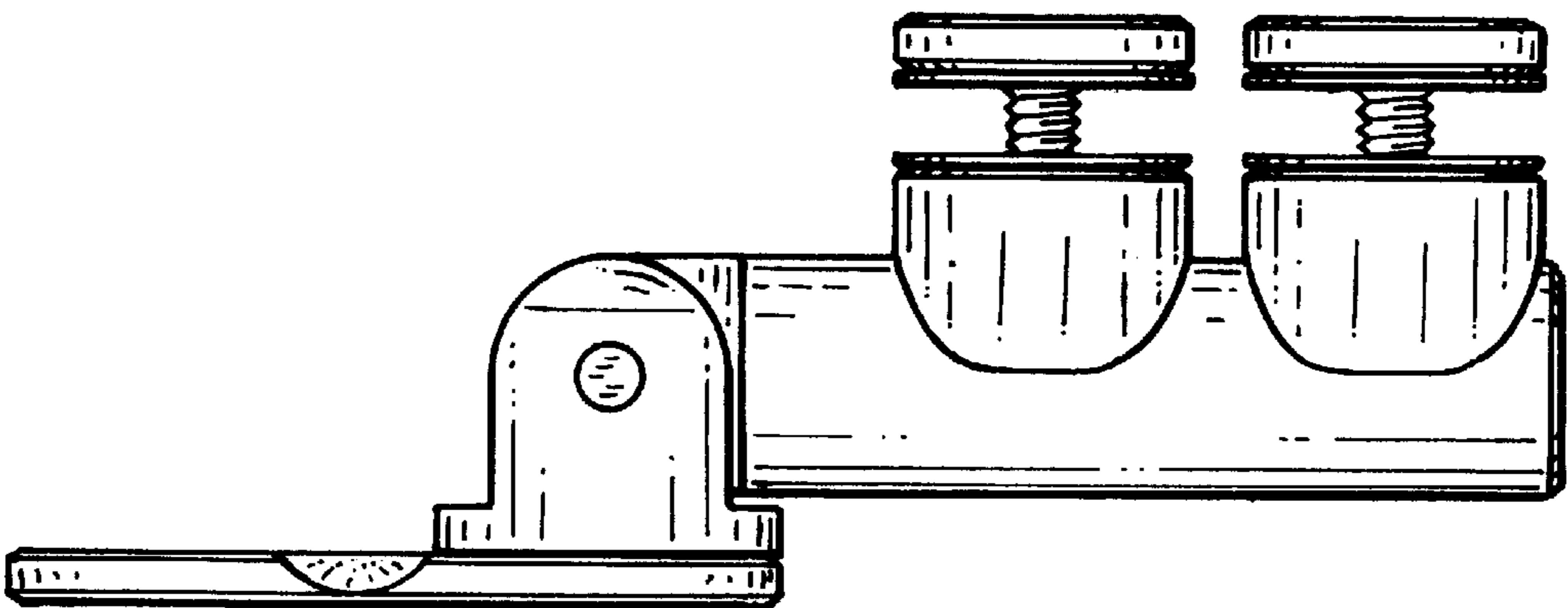


FIG. 2

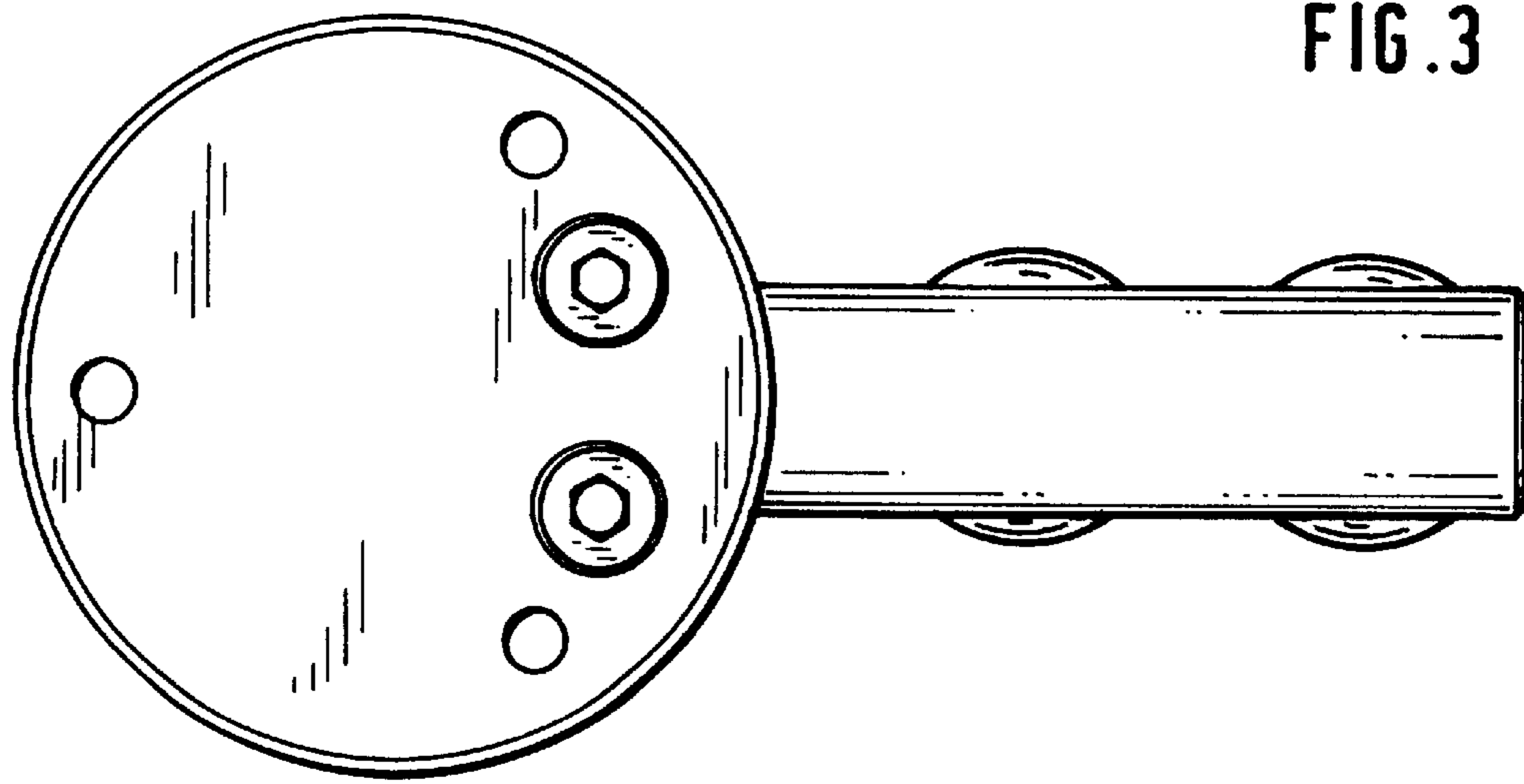


FIG. 4

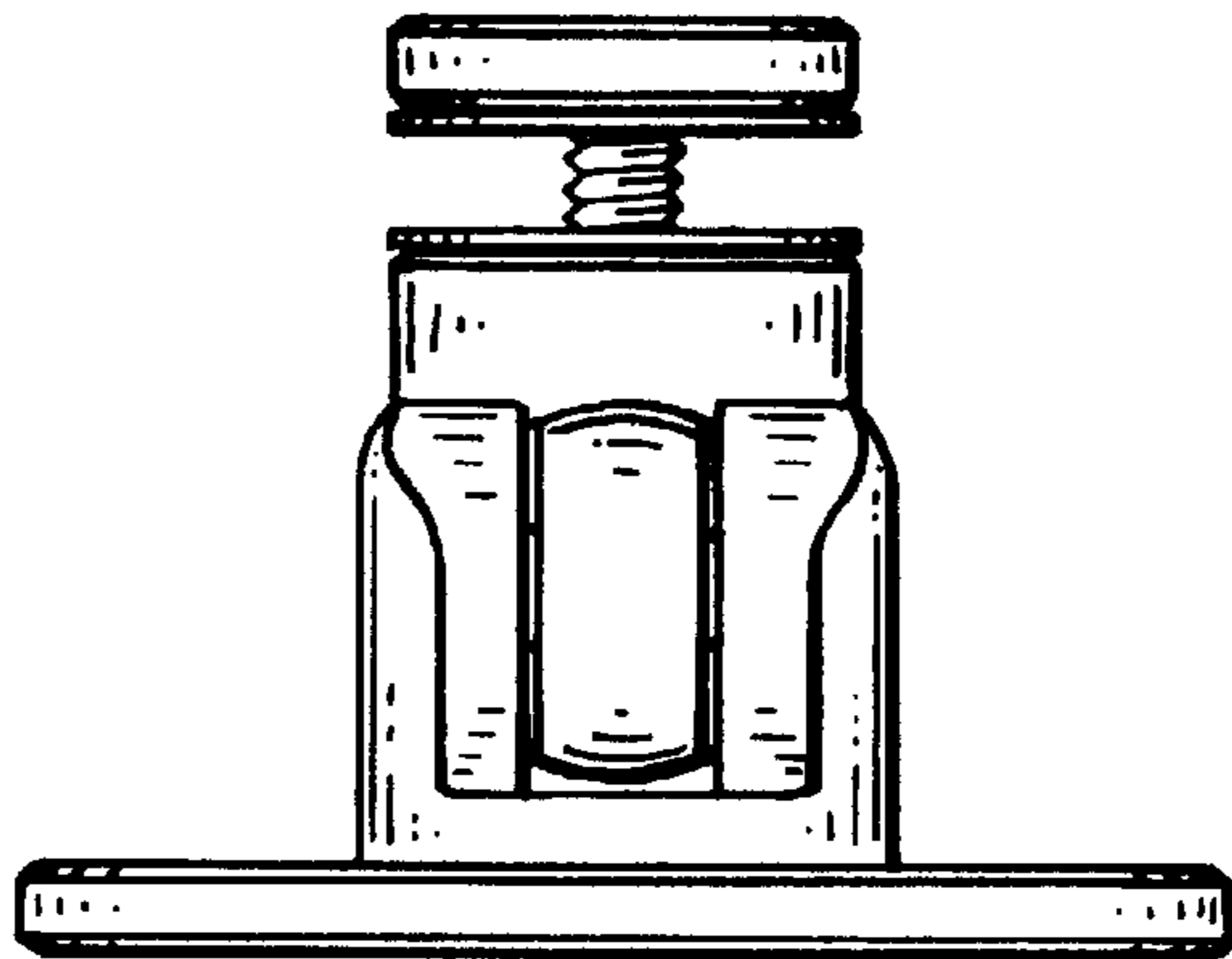


FIG. 5

