



US00D452124B1

(12) **United States Design Patent**
Thomas et al.

(10) **Patent No.:** **US D452,124 S**

(45) **Date of Patent:** **** Dec. 18, 2001**

(54) **WINDSHIELD REPAIR BRIDGE**
(75) Inventors: **Jonathan P. Thomas**, Maple Lake, MN (US); **A. Allan Skidmore**, Langley (CA); **Keith A. Beveridge**, Edina, MN (US)

(73) Assignee: **TCG International Inc.**, Burnaby (CA)

(**) Term: **14 Years**

(21) Appl. No.: **29/120,860**

(22) Filed: **Mar. 28, 2000**

(51) **LOC (7) Cl.** **08-05**

(52) **U.S. Cl.** **D8/51**

(58) **Field of Search** D8/51, 14; 156/94, 156/73.6, 382; 264/36, 36.21; 425/12, 13; 269/1, 75; 29/402.18; 65/28

(56) **References Cited**

U.S. PATENT DOCUMENTS

D. 398,496	9/1998	Thomas et al. .	
D. 403,563	1/1999	Thomas et al. .	
D. 406,029	* 2/1999	Thomas et al.	D8/51
D. 407,285	* 3/1999	Paolo et al.	D8/51
3,988,400	10/1976	Luhman, III .	
3,993,520	11/1976	Werner et al. .	
4,047,863	9/1977	McCluskey et al. .	
4,249,869	2/1981	Petersen .	
4,280,861	7/1981	Schwartz .	
4,291,866	9/1981	Petersen .	
4,385,879	5/1983	Wilkinson .	
4,597,727	7/1986	Birkhauser, III .	
4,681,520	7/1987	Birkhauser, III .	
4,744,841	5/1988	Thomas .	
4,775,305	10/1988	Alexander et al. .	
4,814,185	3/1989	Jones .	
4,820,148	4/1989	Anderson .	
4,919,602	4/1990	Janszen .	
4,921,411	5/1990	Ottenheimer .	
4,954,300	9/1990	Dotson .	
4,995,798	2/1991	Ameter .	
5,104,304	4/1992	Dotson .	

5,116,441	5/1992	Campfield, Jr. .	
5,122,042	6/1992	Einiger .	
5,234,325	8/1993	Hill .	
5,425,827	6/1995	Campfield .	
5,429,692	7/1995	Campfield .	
5,565,217	10/1996	Beckert et al. .	
5,776,506	7/1998	Thomas et al. .	
5,837,294	* 11/1998	Shrimpton	425/12
5,952,012	* 9/1999	Thomas et al.	425/12
5,954,901	9/1999	Henderson .	
6,024,901	* 2/2000	Thomas et al.	264/36.21
6,042,353	* 3/2000	Thomas et al.	425/12
6,050,799	4/2000	Galyon .	
6,139,300	* 10/2000	Thomas et al.	425/12
B1 5,116,441	11/1993	Campfield, Jr. .	

FOREIGN PATENT DOCUMENTS

WO 00/15419 3/2000 (WO) .

* cited by examiner

Primary Examiner—Alan P. Douglas

Assistant Examiner—Clare E. Heflin

(74) *Attorney, Agent, or Firm*—Merchant & Gould P.C.

(57) **CLAIM**

The ornamental design for windshield repair bridge, as shown and described.

DESCRIPTION

FIG. 1 is a perspective view taken from the top, front and right side of a windshield repair bridge embodying our new design;

FIG. 2 is a left side elevational view thereof;

FIG. 3 is a right side elevational view thereof;

FIG. 4 is a rear elevational view thereof;

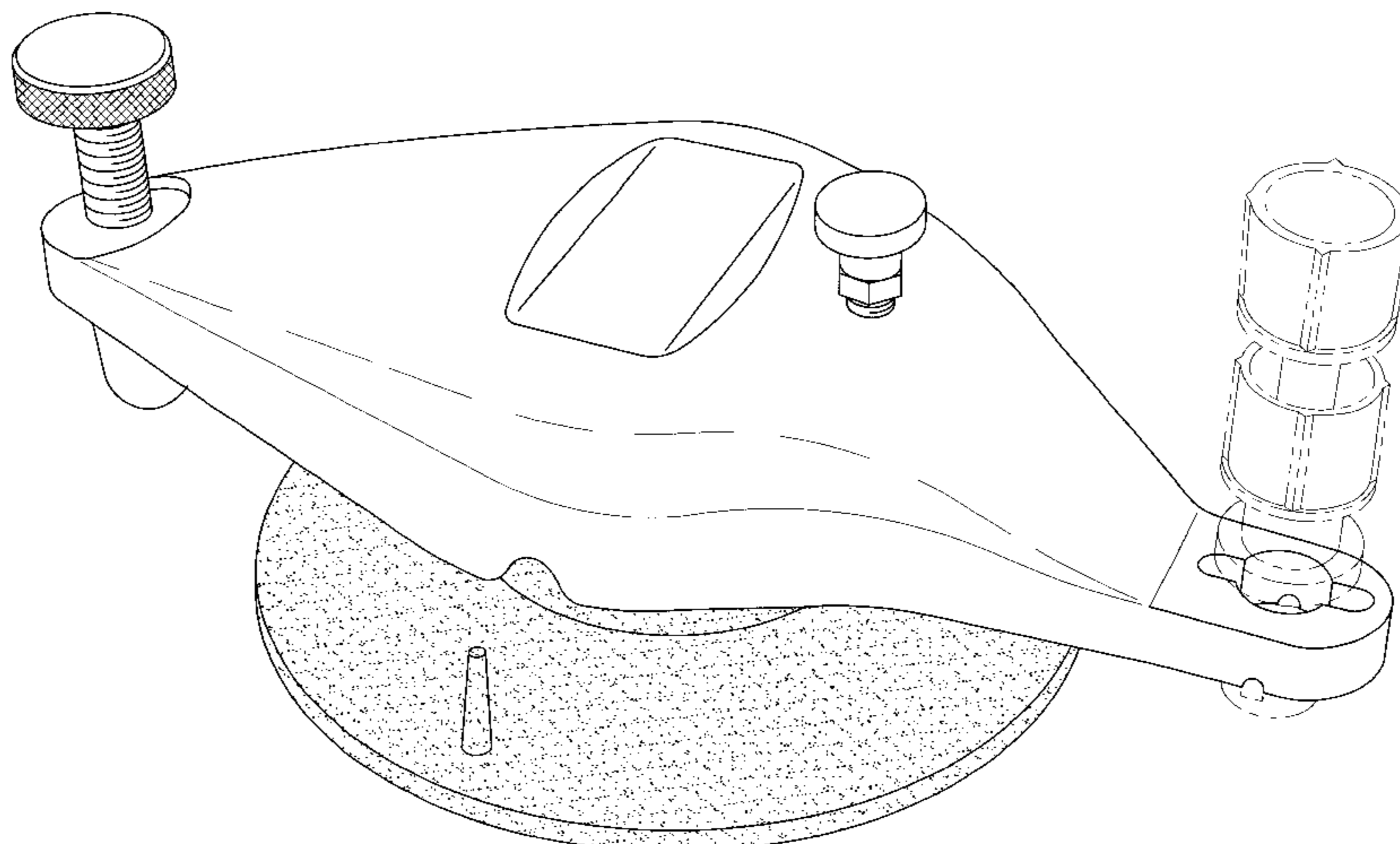
FIG. 5 is a front elevational view thereof;

FIG. 6 is a top plan view thereof; and,

FIG. 7 is a bottom plan view thereof.

The broken lines for an example repair material injector shown in the Figures are for illustration purposes only and form no part of the claimed design.

1 Claim, 5 Drawing Sheets



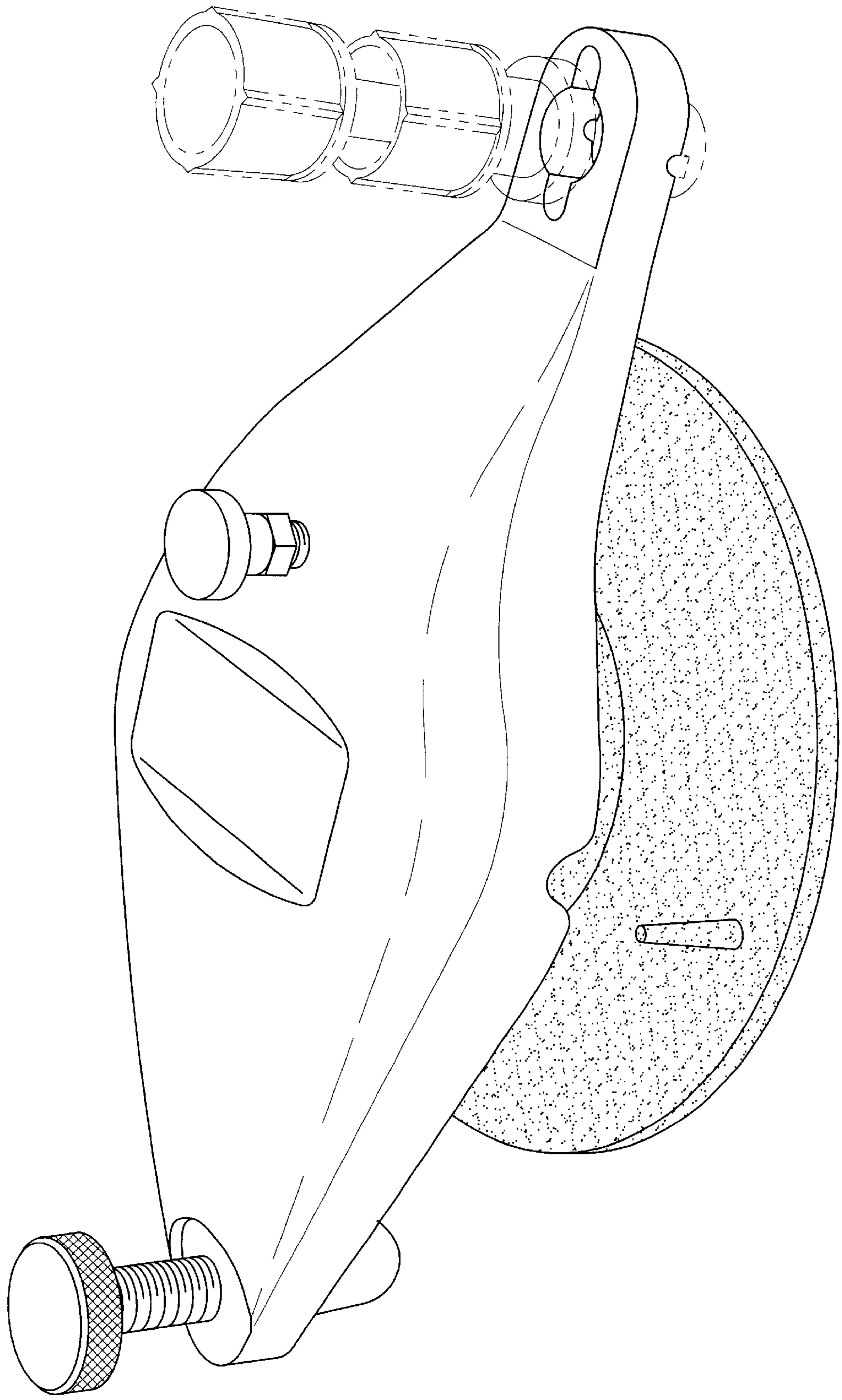


FIG. 1

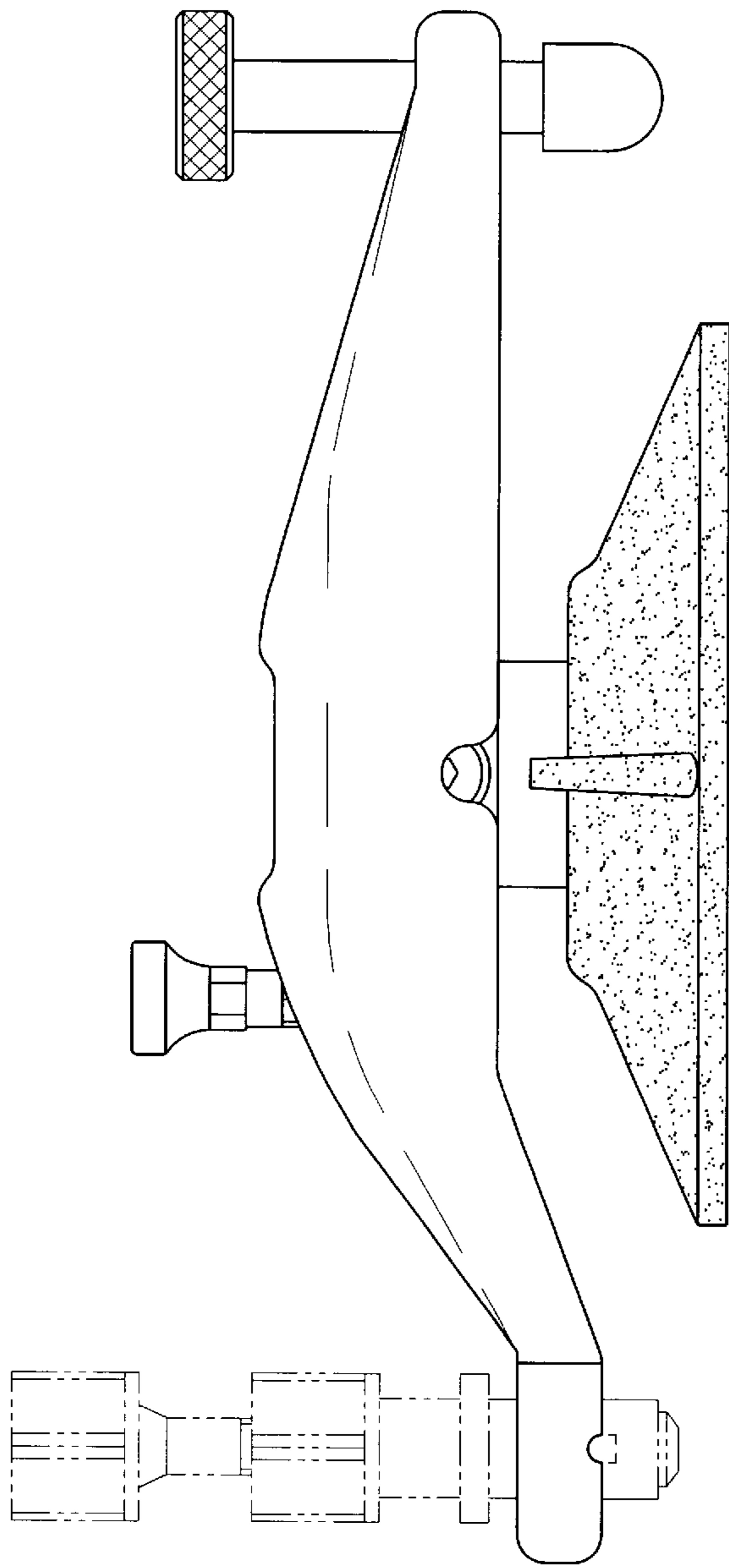


FIG. 2

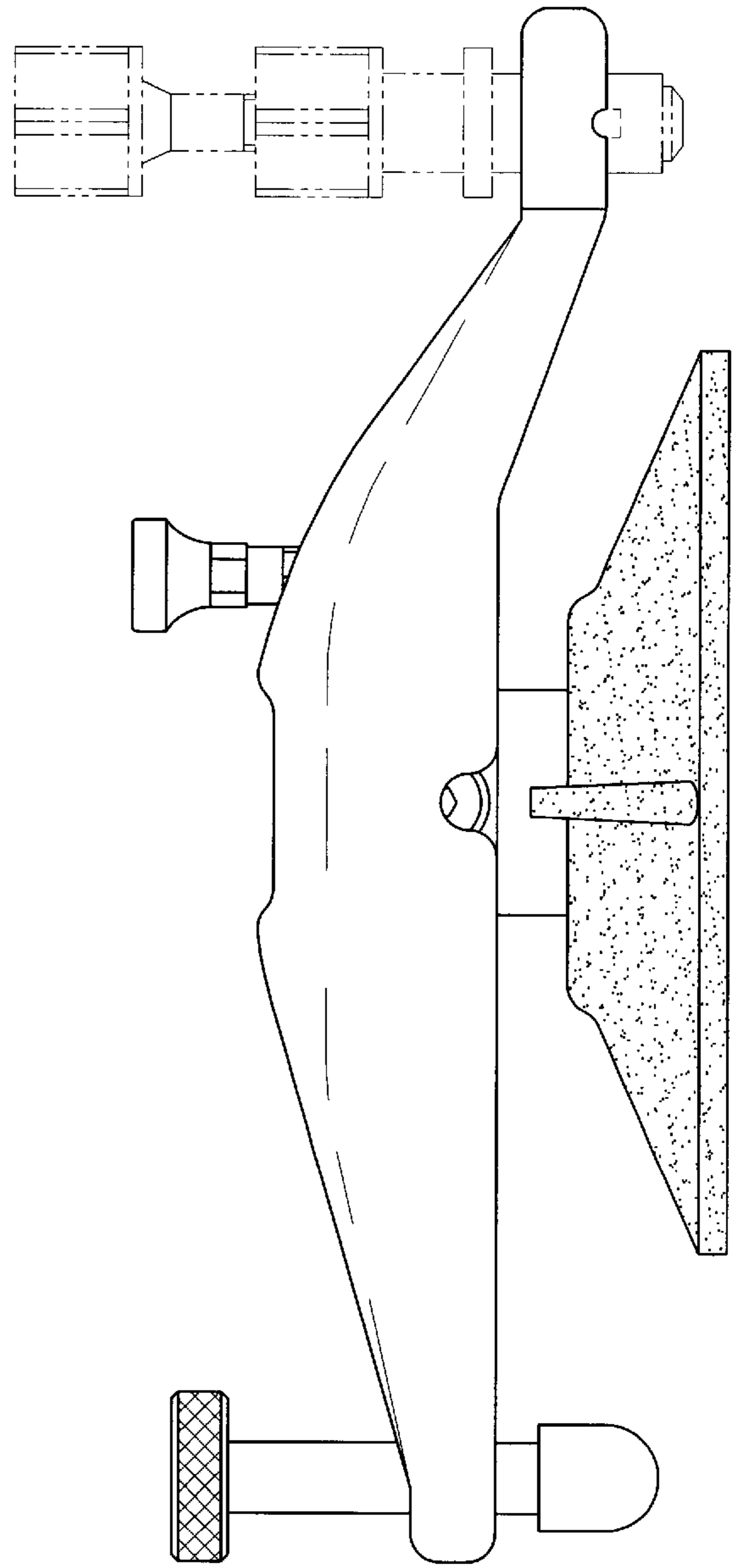


FIG. 3

FIG.4

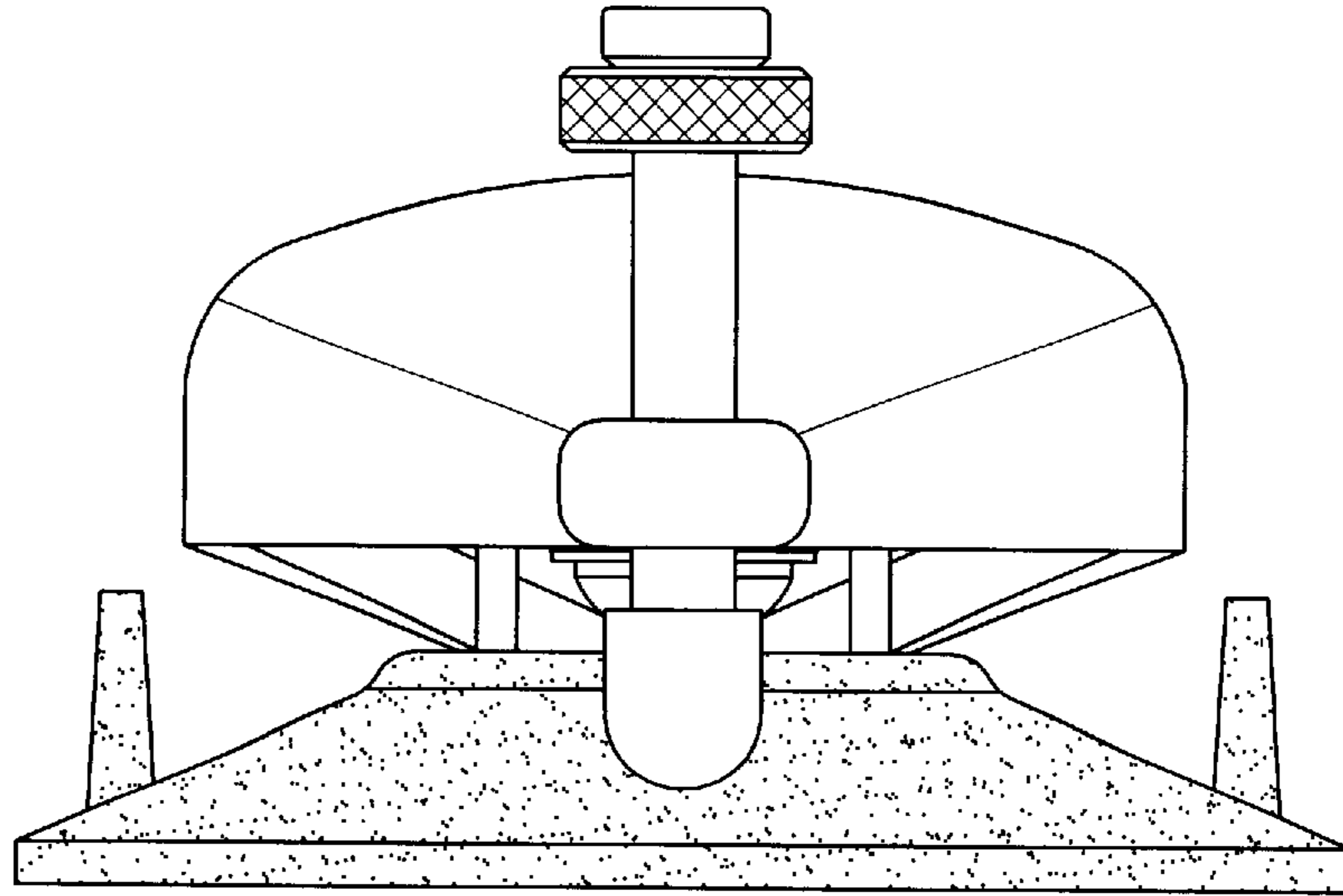
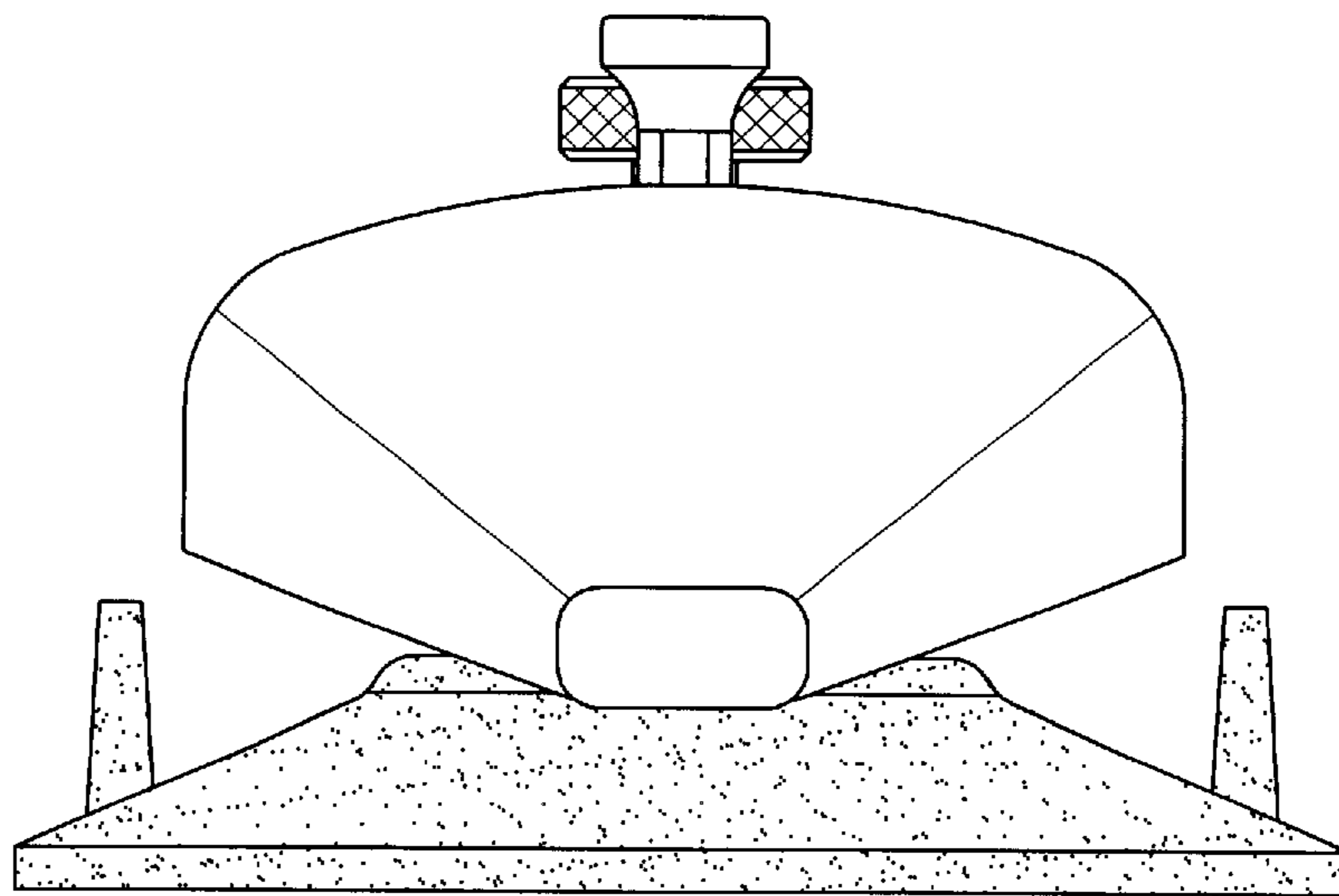


FIG.5



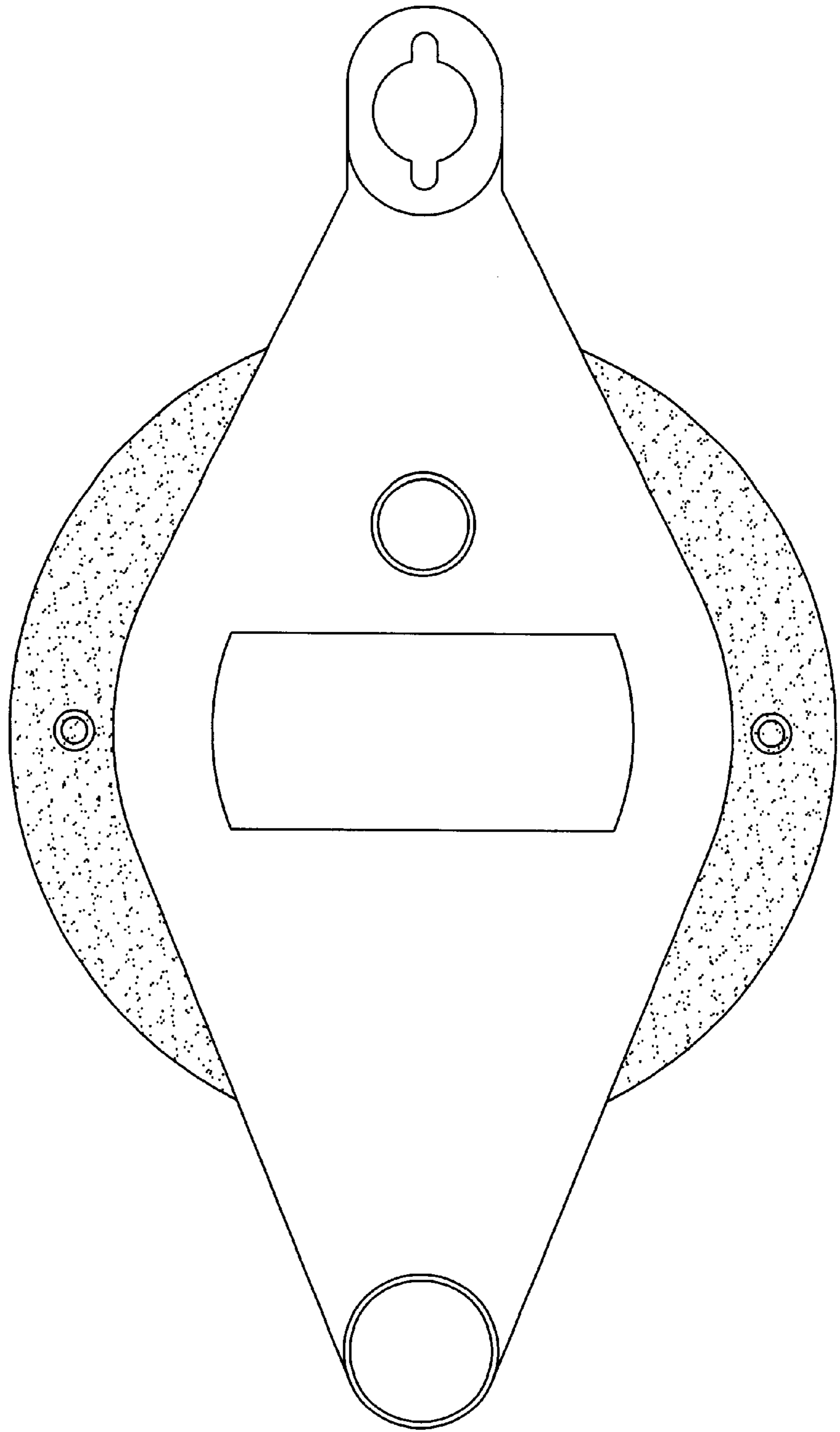


FIG. 6

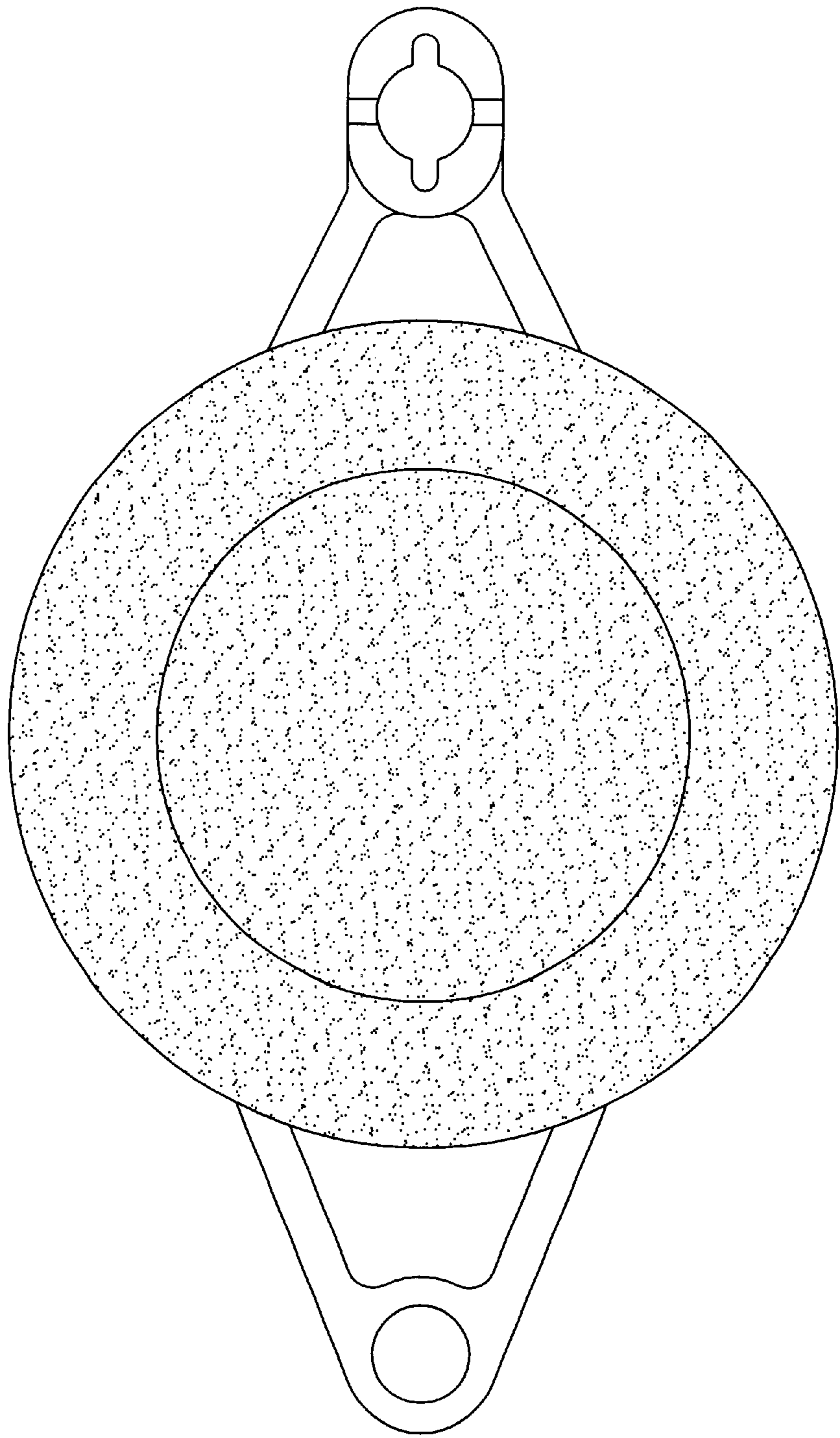


FIG. 7