



US00D452123B1

(12) **United States Design Patent**
Kelleghan

(10) **Patent No.:** **US D452,123 S**

(45) **Date of Patent:** **** Dec. 18, 2001**

(54) **GECKO SHAPED BOTTLE OPENER**

DESCRIPTION

- (75) Inventor: **Brian James Kelleghan**, Longmont, CO (US)
- (73) Assignee: **Bison Designs, L.L.C.**, Longmont, CO (US)
- (**) Term: **14 Years**
- (21) Appl. No.: **29/135,990**
- (22) Filed: **Jan. 22, 2001**
- (51) **LOC (7) Cl.** **07-99**
- (52) **U.S. Cl.** **D8/38; D8/18**
- (58) **Field of Search** **D8/18, 33-43; 7/151-156; 81/3.07-3.49**

FIG. 1 is a plan view of the top and bottom sides, which are mirror images of each other, of my new design for a gecko shaped bottle opener.

FIG. 2 is a right side plan view of the bottle opener shown in FIG. 1.

FIG. 3 is a left side plan view of the bottle opener shown in FIG. 1.

FIG. 4 is a front side plan view of the bottle opener shown in FIG. 1.

FIG. 5 is a rear side plan view of the bottle opener shown in FIG. 1.

FIG. 6 is a top perspective view of the bottle opener shown in FIG. 1.

FIG. 7 is a plan view of the top and bottom sides, which are mirror images of each other, an alternate embodiment for a gecko shaped bottle opener shown in FIG. 1, the only difference being the ring hole is at the mouth.

FIG. 8 is a right side plan view of the bottle opener shown in FIG. 7.

FIG. 9 is a left side plan view of the bottle opener shown in FIG. 7.

FIG. 10 is a front side plan view of the bottle opener shown in FIG. 7.

FIG. 11 is a rear side plan view of the bottle opener shown in FIG. 7; and,

FIG. 12 is a top perspective view of the bottle opener shown in FIG. 7.

(56) **References Cited**

U.S. PATENT DOCUMENTS

- D. 43,104 * 10/1912 Cary D8/18
- D. 389,711 * 1/1998 Henry et al. D8/38
- D. 405,670 * 2/1999 Wysopal D8/39

* cited by examiner

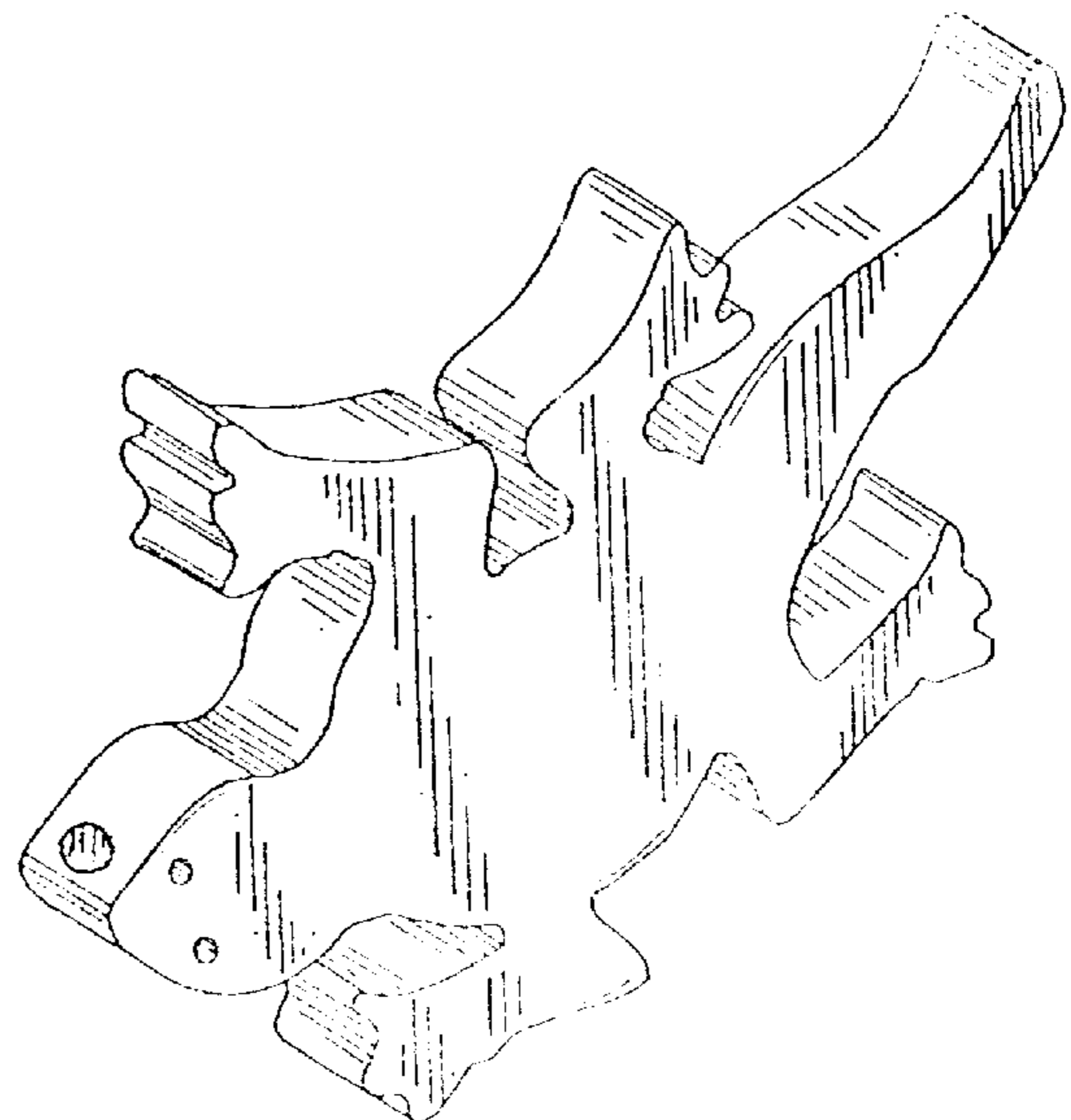
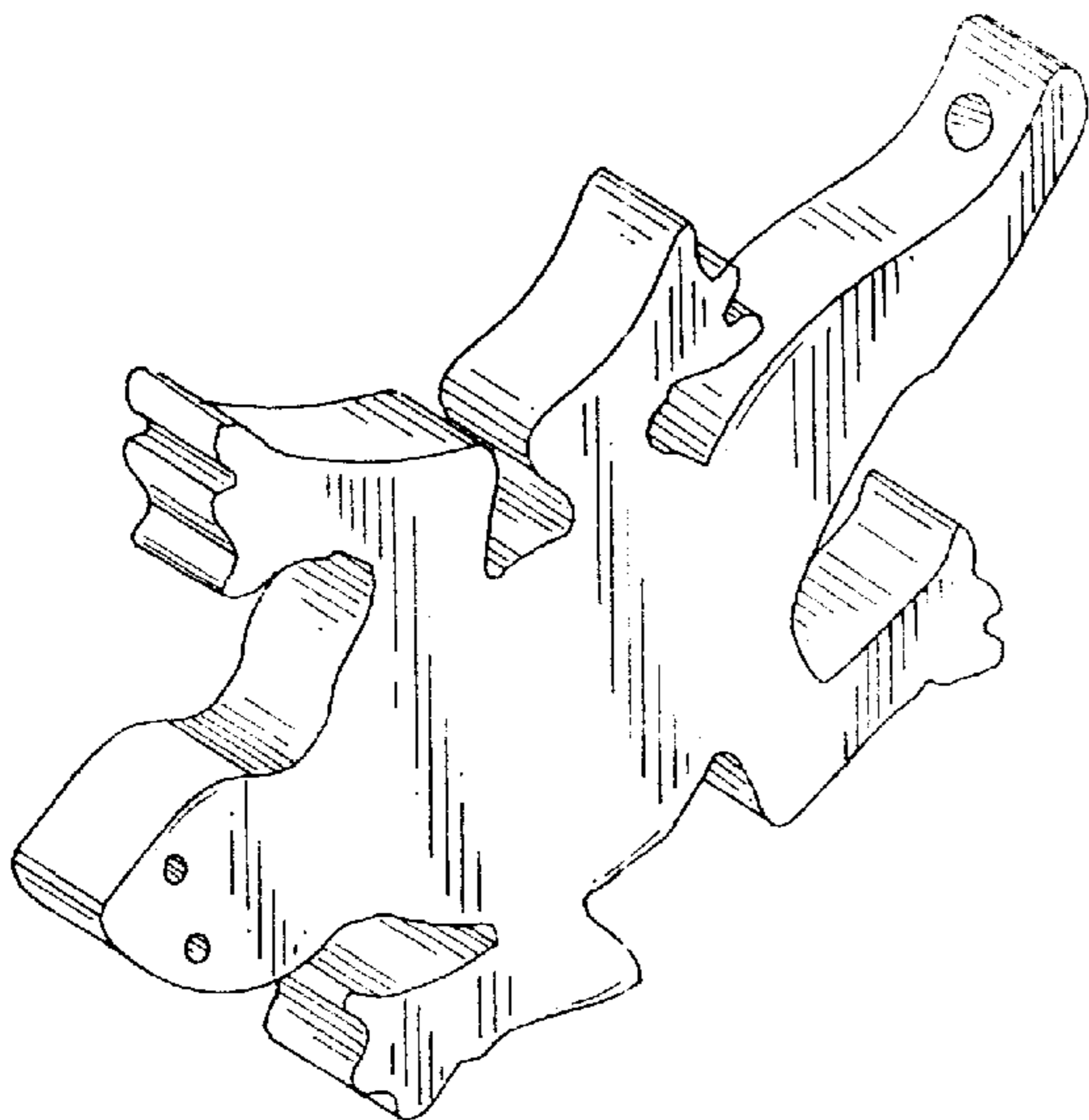
Primary Examiner—Caron D. Veynar

(74) *Attorney, Agent, or Firm*—Rick Martin; Patent Law Offices of Rick Martin, P.C.

(57) **CLAIM**

The ornamental design for a gecko shaped bottle opener, as shown.

1 Claim, 2 Drawing Sheets



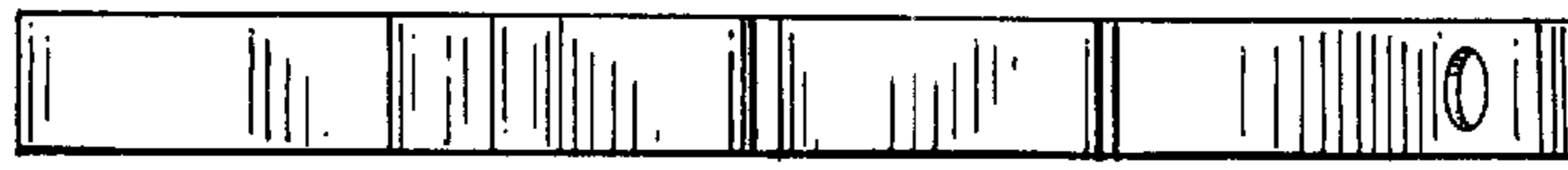


FIG. 2

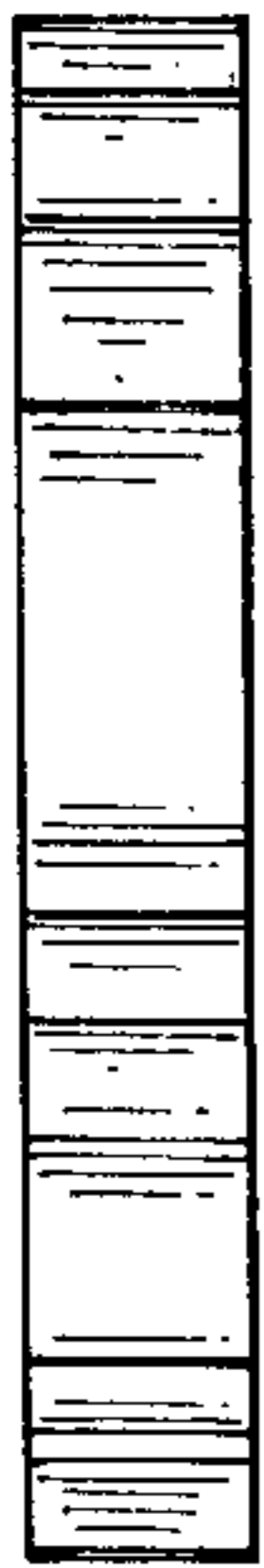


FIG. 4

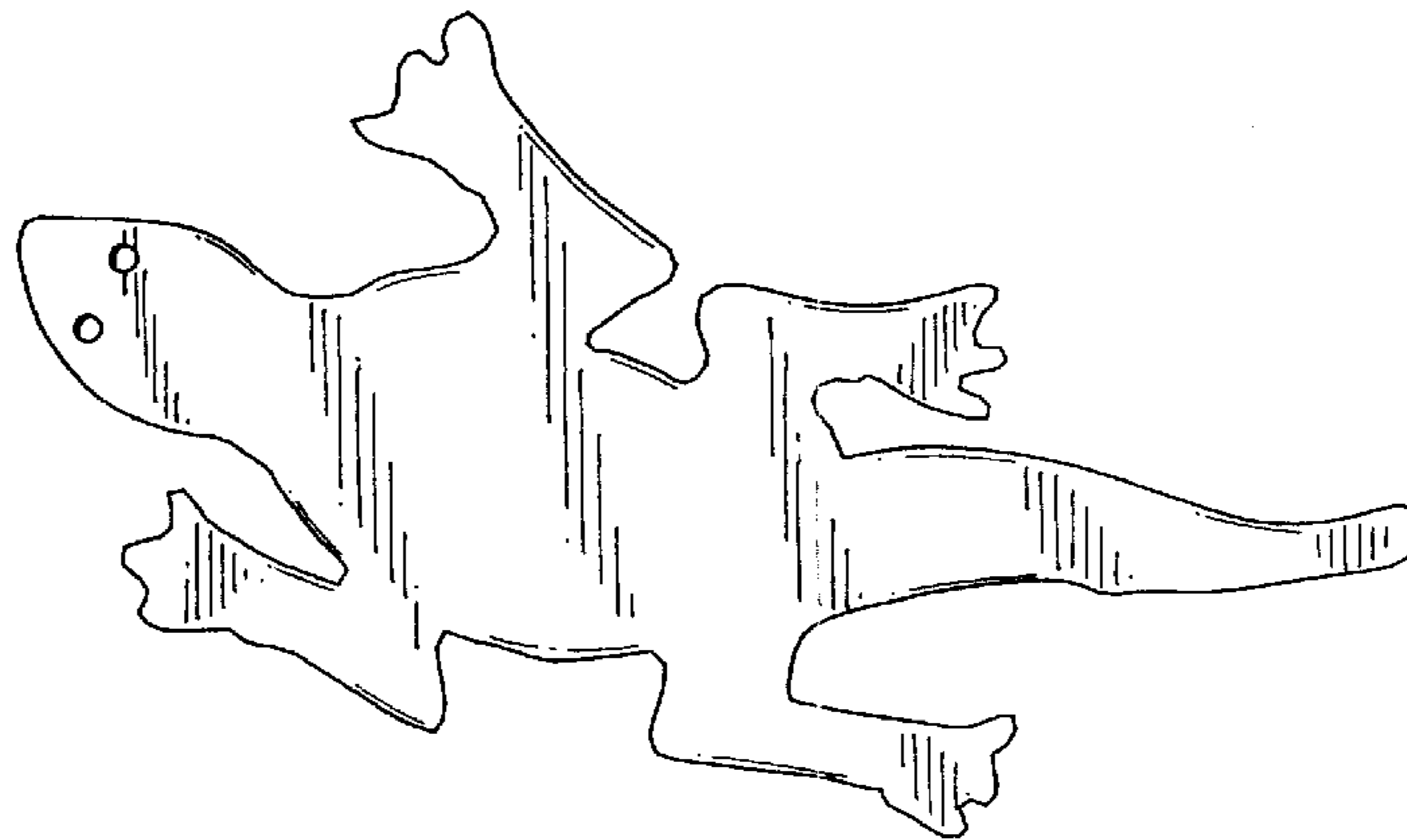


FIG. 1



FIG. 5

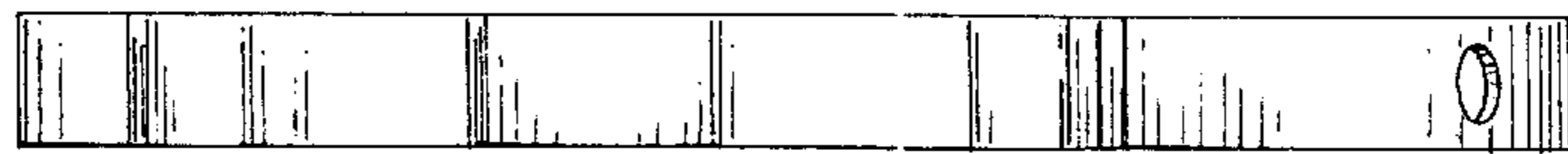


FIG. 3

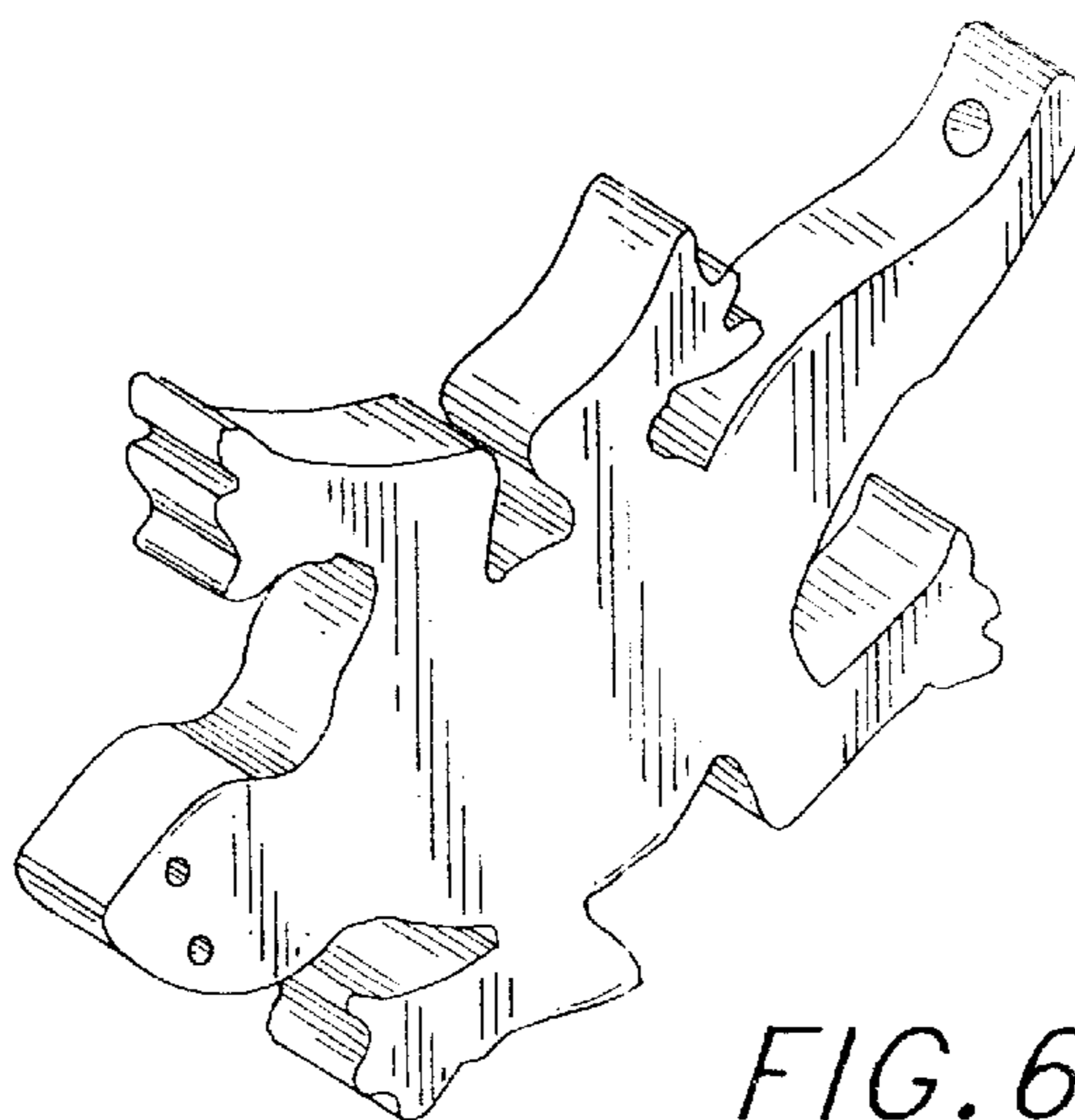


FIG. 6

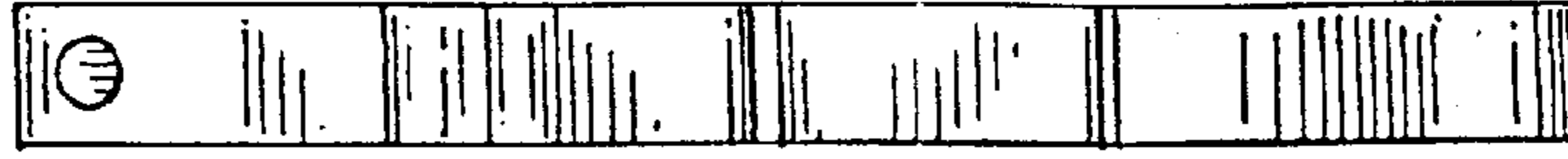


FIG. 8



FIG. 10

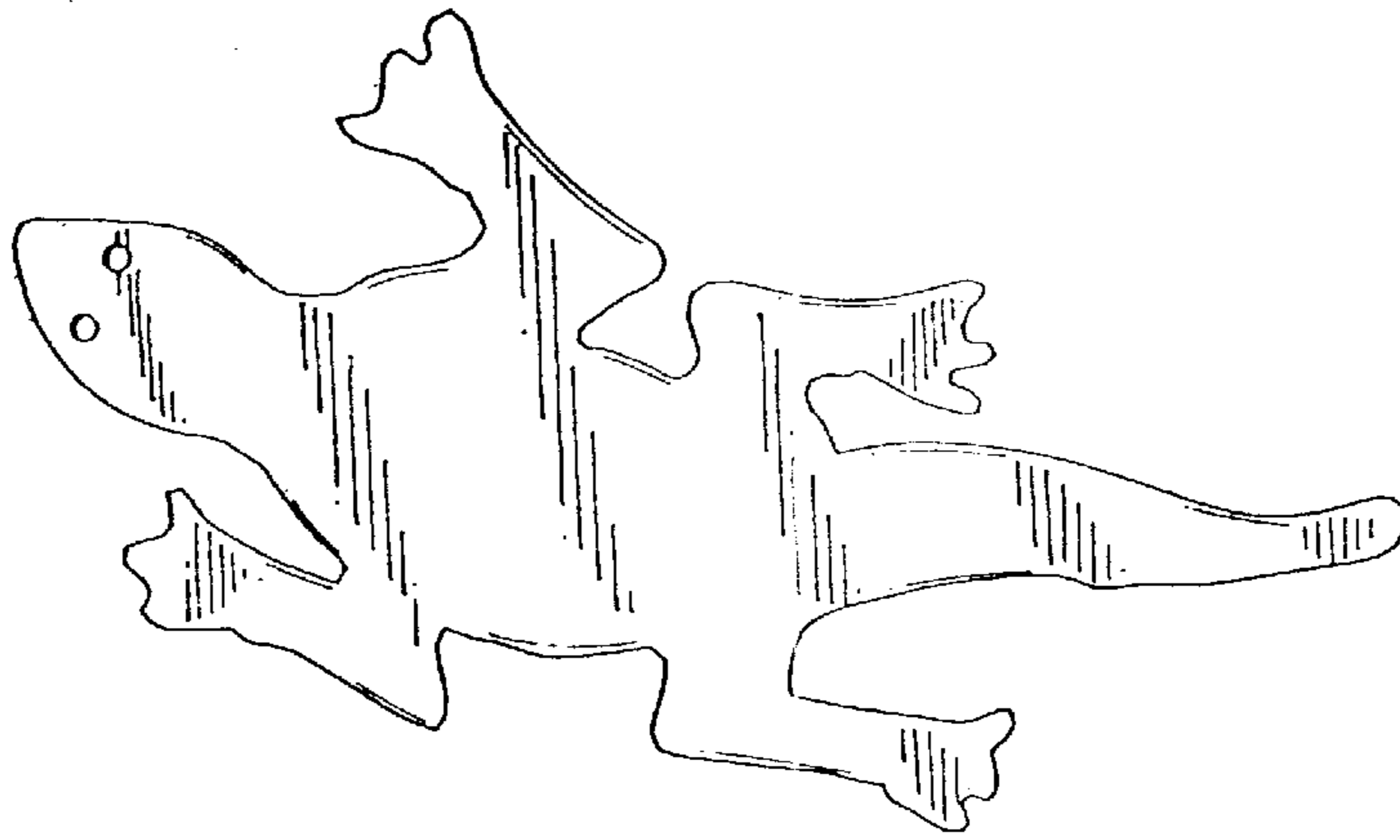


FIG. 7



FIG. 11

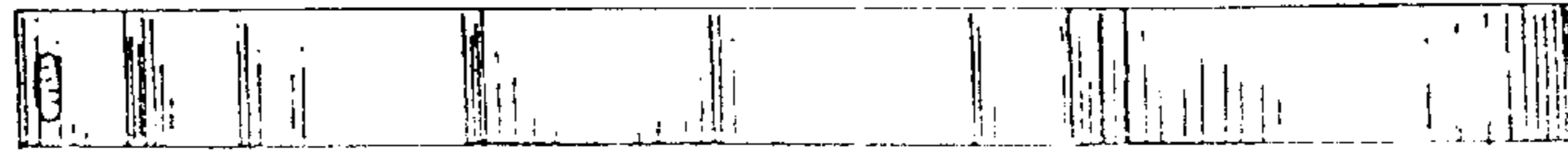


FIG. 9

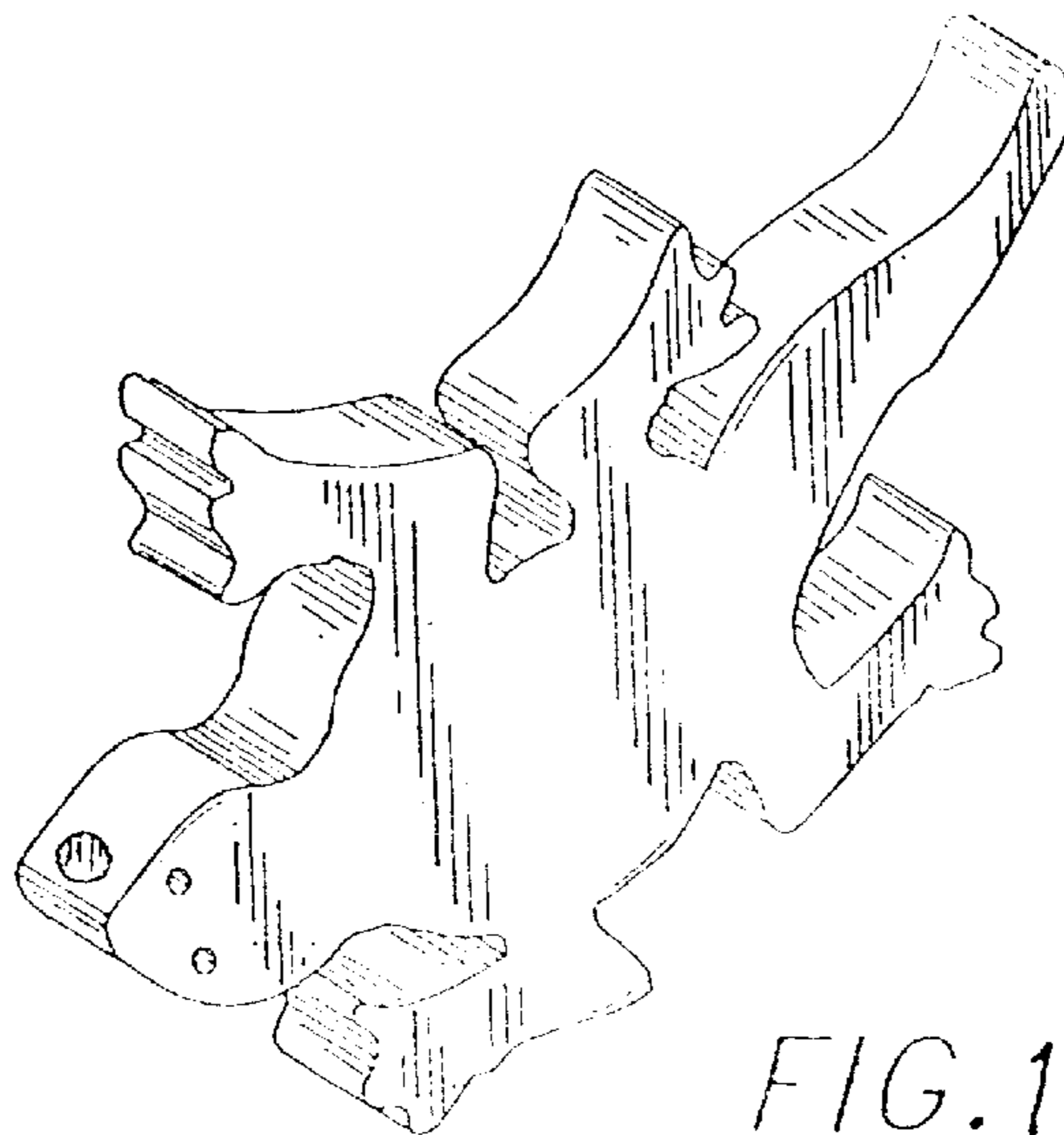


FIG. 12